



US00D823062S

(12) **United States Design Patent** (10) **Patent No.:** **US D823,062 S**  
**Goodwin et al.** (45) **Date of Patent:** **\*\* Jul. 17, 2018**

(54) **CUP**  
(71) Applicant: **Helen of Troy Limited**, St. Michael (BB)  
(72) Inventors: **Brian George Goodwin**, Bend, OR (US); **Ryan James Diener**, Bend, OR (US); **Justin Taylor**, Bend, OR (US)

4,151,923 A 5/1979 Bernardi  
D267,849 S 2/1983 Groenewold et al.  
D271,650 S 12/1983 Groenewold et al.  
D273,651 S 5/1984 Emrick  
5,076,463 A 12/1991 McGraw  
(Continued)

(73) Assignee: **Helen of Troy Limited** (BB)  
(\*\*) Term: **15 Years**

FOREIGN PATENT DOCUMENTS  
JP D1478332 S 9/2013  
JP D1507855 S 9/2014  
(Continued)

(21) Appl. No.: **29/558,166**  
(22) Filed: **Mar. 15, 2016**  
(51) **LOC (11) Cl.** ..... **07-01**  
(52) **U.S. Cl.**  
USPC ..... **D7/511; D7/523**  
(58) **Field of Classification Search**  
USPC ..... D7/300, 396.2, 507-509, 523, 532, 537, D7/601, 602, 608, 619.1; D3/202; D9/424, 500, 503, 504, 516, 520, 549, D9/550, 558, 715; D11/143, 144, 152; D26/6, 7, 10, 16; D27/134; D30/129; 215/377  
CPC ... A47G 19/2205; A47G 19/2255; A45F 3/20; A45F 2003/205; B65D 1/22  
See application file for complete search history.

OTHER PUBLICATIONS

Klean Kanteen, 16oz, Tumbler, product was commercially available and could be located at <http://www.kleankanteen.com/products/cups-tumblers/steel-insulated-tumbler.php> prior to the filing date of the instant application.

(Continued)

Primary Examiner — Daniel D Bui  
Assistant Examiner — Andrew Kerr  
(74) Attorney, Agent, or Firm — Kolisch Hartwell, P.C.

(57) **CLAIM**

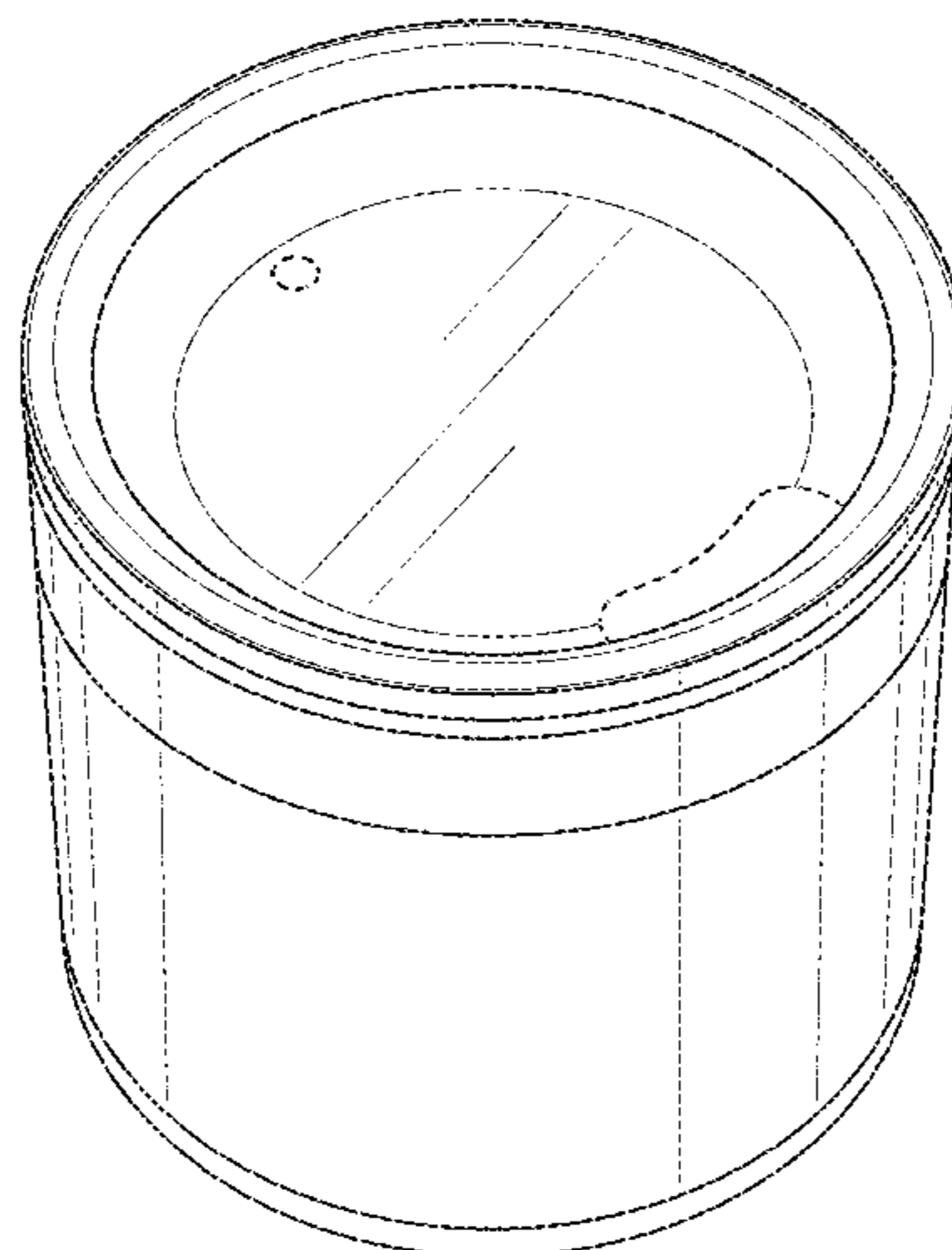
The ornamental design for a cup, as shown and described.

**DESCRIPTION**

FIG. 1 is an upper and side perspective view of a cup including a lid, showing our new design;  
FIG. 2 is a lower and side perspective view thereof;  
FIG. 3 is a side elevation view thereof, the cup being rotationally symmetric such that the front, back, right, and left elevation views are the same;  
FIG. 4 is a top plan view thereof; and,  
FIG. 5 is a bottom plan view thereof.  
The broken lines shown in the drawings depict portions of the cup that form no part of the claimed design.

**1 Claim, 5 Drawing Sheets**

(56) **References Cited**  
U.S. PATENT DOCUMENTS  
1,657,927 A 1/1928 Heinzen  
1,879,820 A 9/1932 Perry  
2,090,320 A 8/1937 Amick  
2,500,611 A 3/1950 Kereluck  
2,622,415 A 12/1952 Landers et al.  
2,863,585 A 12/1958 Meshberg  
D191,620 S 10/1961 Bloch et al.  
3,194,468 A 7/1965 Baron  
D223,704 S 5/1972 Cheladze  
3,765,559 A 10/1973 Sauey et al.





(56)

References Cited

U.S. PATENT DOCUMENTS

D352,210 S \* 11/1994 Cousins ..... D7/612  
 D424,875 S 5/2000 Husted  
 D446,687 S 8/2001 Furman et al.  
 D474,047 S 5/2003 Hou  
 D480,590 S 10/2003 Linz et al.  
 D483,982 S 12/2003 Irvine  
 D488,348 S 4/2004 Liu  
 D489,573 S 5/2004 Li  
 D490,274 S 5/2004 Irvine  
 D495,199 S 8/2004 Matthews  
 D502,633 S 3/2005 Liu  
 D503,304 S 3/2005 Fiedeler et al.  
 D506,640 S 6/2005 Marck et al.  
 D506,910 S 7/2005 Tham-Itthisak  
 6,913,165 B2 7/2005 Linz et al.  
 6,921,179 B2 7/2005 Ghanem  
 D533,748 S 12/2006 Bresler  
 D537,677 S 3/2007 Bresler  
 D548,534 S 8/2007 Sullivan  
 D550,509 S 9/2007 Dretzka  
 D552,420 S 10/2007 Liu  
 D553,439 S 10/2007 Bodum  
 D554,822 S 11/2007 Dretzka  
 D561,535 S 2/2008 Jin  
 D565,352 S 4/2008 Williams  
 H002217 H \* 6/2008 Smay ..... B65D 1/22  
 D9/503  
 D577,260 S 9/2008 Bodum  
 D581,739 S 12/2008 Bodum  
 D582,724 S 12/2008 Dretzka  
 D587,069 S 2/2009 Bodum  
 D590,662 S 4/2009 Cheng  
 D621,658 S 8/2010 Rice  
 D622,547 S 8/2010 Carreno  
 D629,253 S 12/2010 Eubank et al.  
 D640,505 S 6/2011 George  
 D655,982 S 3/2012 Liu  
 D679,960 S \* 4/2013 Hopkins ..... D7/629  
 D682,035 S 5/2013 Monugian  
 D713,204 S 9/2014 Katterheinrich et al.  
 D720,185 S 12/2014 Kaiser  
 D722,825 S 2/2015 Miller  
 D731,251 S 6/2015 Lane  
 9,052,105 B2 6/2015 Zalon  
 D750,436 S 3/2016 Hopkins et al.  
 D764,233 S \* 8/2016 Lee ..... D7/509  
 D773,250 S \* 12/2016 Miller ..... D7/523  
 D784,137 S \* 4/2017 Cates ..... D9/500  
 2004/0066705 A1 4/2004 Linz et al.  
 2007/0171768 A1 7/2007 Dallaire  
 2010/0108693 A1 5/2010 Zhang et al.  
 2012/0132658 A1 5/2012 Dans et al.  
 2012/0273503 A1 11/2012 Yen  
 2014/0124513 A1 5/2014 Shearer  
 2014/0263368 A1 9/2014 Booska  
 2014/0263602 A1 9/2014 Leser et al.  
 2016/0082693 A1 3/2016 Li et al.

FOREIGN PATENT DOCUMENTS

JP D1533483 S 9/2015  
 JP D1533673 S 9/2015  
 KR 30-0733635 S 3/2014  
 TW D107807 S 11/2005  
 TW D125097 S 10/2008  
 TW D165870 S 2/2015  
 TW D167181 S 4/2015  
 TW D172083 S 12/2015  
 TW D178994 S 10/2016

OTHER PUBLICATIONS

Innate, 16 oz Siason Beer Sleeve, product was commercially available and could be located at [http://www.innate.gear.com/prod-](http://www.innate.gear.com/prod-uct-info/new-saison-beer-sleeve)

uct-info/new-saison-beer-sleeve prior to the filing date of the instant application.

Yeti, 20 oz & 30 oz Rambler Tumblers, product was commercially available and could be located at <http://yeticoolers.com/rambler-tumblers/> prior to the filing date of the instant application.

Steelys, Double Walled but not vacuum insulated, Product was commercially available and could be located at <http://steelysdrinkware.com/product/steelys-insulated-stainless-pint-cup/> prior to the filing date of the instant application.

July 3, 2013, Thermos Vacuum Insulated Tumbler, available at [basetdelighttokyo.wordpress.com](http://basetdelighttokyo.wordpress.com), see Oct. 23, 2015 final Office action in Design U.S. Appl. No. 29/498,609, which is another application of Applicant Steel Technology, LLC.

May 14, 2014, Klean Kanteen Stainless Steel Pint Cups, available at <http://www.kleankanteen.com/products/cups-tumblers/steel-cups-tumblers.php>, see Oct. 23, 2015 final Office action in Design U.S. Appl. No. 29/498,609, which is another application of Applicant Steel Technology, LLC.

Jul. 16, 2015, Office action from US Patent and Trademark Office, in Design U.S. Appl. No. 29/498,609, which is another application of Applicant Steel Technology, LLC.

Aug. 21, 2015, Office action from the Taiwanese Intellectual Property Office, in Taiwanese Patent Application No. 104300571, which is a foreign application of Applicant Steel Technology, LLC.

Oct. 23, 2015 final Office action from US Patent and Trademark Office, in Design U.S. Appl. No. 29/498,609, which is another application of Applicant Steel Technology, LLC.

Jun. 27, 2016 Notice of Allowance from US Patent and Trademark Office, in Design U.S. Appl. No. 29/498,609, which is another application of Applicant Steel Technology, LLC.

Feb. 2, 2017, Office action from the Taiwanese Intellectual Property Office in Taiwanese Patent Application No. 104300571, which is a foreign application of Applicant Helen of Troy Limited.

Feb. 24, 2017, Office action from the Taiwanese Intellectual Property Office in Taiwanese Patent Application No. 105305474, which is a foreign application of Applicant Helen of Troy Limited.

Apr. 10, 2017, Office action from the Taiwanese Intellectual Property Office in Taiwanese Patent Application No. 105305475, which is a foreign application of Applicant Helen of Troy Limited.

Thermos Vacuum Insulating Tumbler 2 set Silver 400ml JMO-GP2, image retrieved Oct. 18, 2017 from [https://www.amazon.com/THERMOS-Vacuum-Insulating-Tumbler-JMO-GP2/dp/B000TUR6RG/ref=sr\\_1\\_1?s=home-garden&ie=UTF8&qid=1508373719&sr=1-1&keywords=JMO-GP2](https://www.amazon.com/THERMOS-Vacuum-Insulating-Tumbler-JMO-GP2/dp/B000TUR6RG/ref=sr_1_1?s=home-garden&ie=UTF8&qid=1508373719&sr=1-1&keywords=JMO-GP2), previously available at [http://shop.benesse.ne.jp/tamahiyo/disp/CSfGoodsImage\\_001.jsp?MSK\\_NO=1488382055000000](http://shop.benesse.ne.jp/tamahiyo/disp/CSfGoodsImage_001.jsp?MSK_NO=1488382055000000), Kabushiki Kaisha Benesse Corporation, published Mar. 23, 2009.

A di Alessi 3/4-Inch Glass Family Water Glass, Crystalline Glass, Set of 4, image retrieved Oct. 18, 2017 from <https://www.amazon.com/Alessi-4-Inch-Glass-Family-Crystalline/dp/B00165TF04>, product was commercially available prior to the filing date of the instant application, circa before Mar. 15, 2016.

Jul. 18, 2017, Office action from the Japan Patent Office in Japanese Patent Application No. 2016-020015, which is a foreign counterpart application to this U.S. application and claims the benefit of priority to this U.S. application.

Office action from the Taiwanese Intellectual Property Office in Taiwanese Patent Application No. 106302813, dated Sep. 12, 2017, which is a foreign application of Applicant Helen of Troy Limited.

Office action from the Taiwanese Intellectual Property Office in Taiwanese Patent Application No. 106302815, dated Sep. 12, 2017, which is a foreign application of Applicant Helen of Troy Limited.

Office action from the Taiwanese Intellectual Property Office in Taiwanese Patent Application No. 106302816, dated Sep. 11, 2017, which is a foreign application of Applicant Helen of Troy Limited.

[https://www.amazon.ca/...shi-SX-DA60-Stainless-20-Ounce/dp/BOOTD82BX0/ref=pd\\_sim\\_79\\_1/139-9421015-1664816?\\_encoding=UTF8&psc=1&ref](https://www.amazon.ca/...shi-SX-DA60-Stainless-20-Ounce/dp/BOOTD82BX0/ref=pd_sim_79_1/139-9421015-1664816?_encoding=UTF8&psc=1&ref) RI D=9D8JE5B2K4G5046C47D0 ZOJI Zojirushi SX-DA60 Stainless Tumbler Jul. 17, 2015.

(56)

**References Cited**

OTHER PUBLICATIONS

Nov. 30, 2017, Office action from U.S. Patent and Trademark Office, in Design U.S. Appl. No. 29/558,146, which is another application of applicant.

Jan. 16, 2018, from the Japan Patent Office in Japanese Patent Application No. 2016-020014, which is a foreign application of Applicant Helen of Troy Limited.

Jan. 16, 2018, from the Japan Patent Office in Japanese Patent Application No. 2017-007970, which is a foreign application of Applicant Helen of Troy Limited.

Jan. 16, 2018, Office action from the Japan Patent Office in Japanese Patent Application No. 2016-020015, which is a foreign counterpart application to this U.S. application and claims the benefit of priority to this U.S. application.

\* cited by examiner

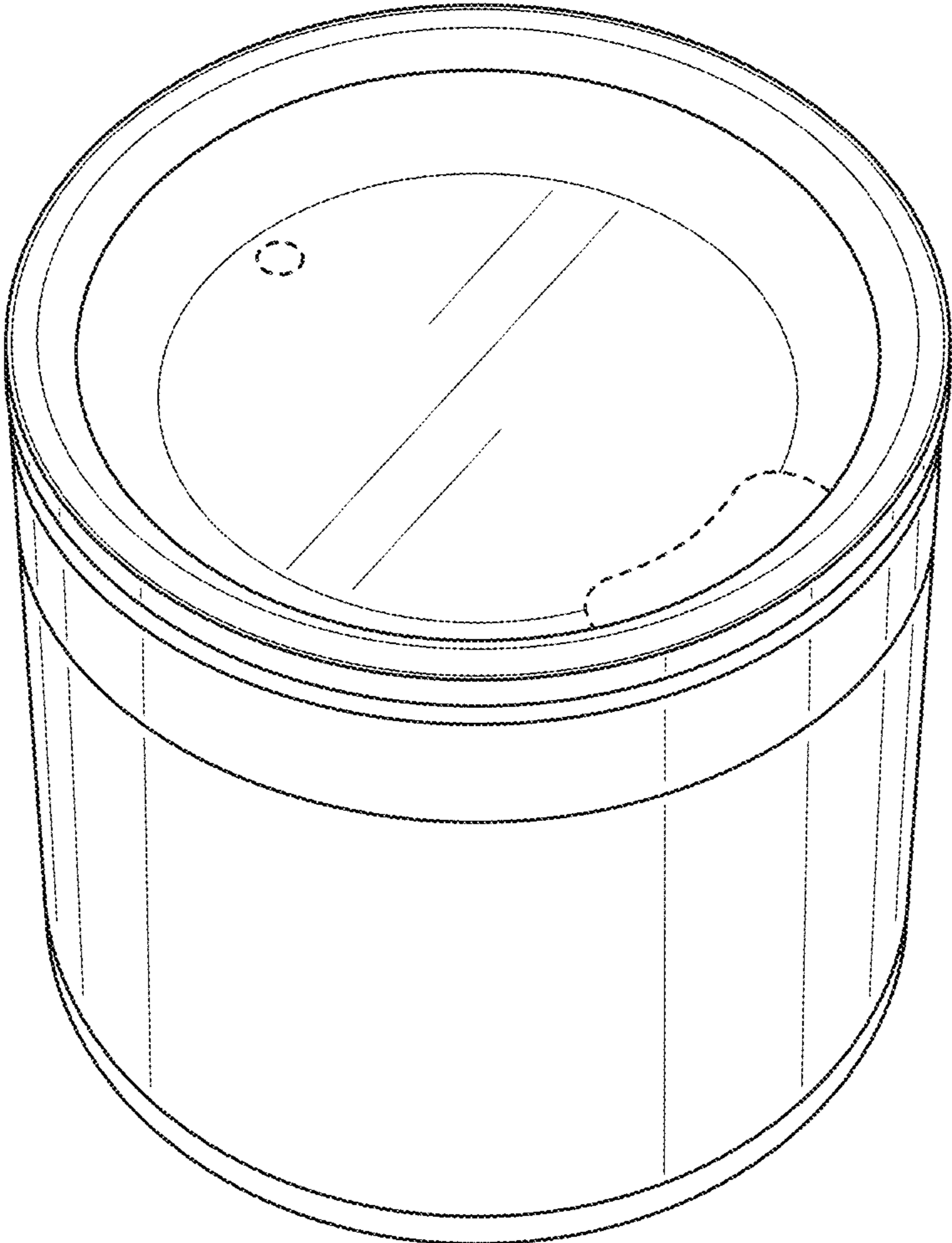


FIG. 1



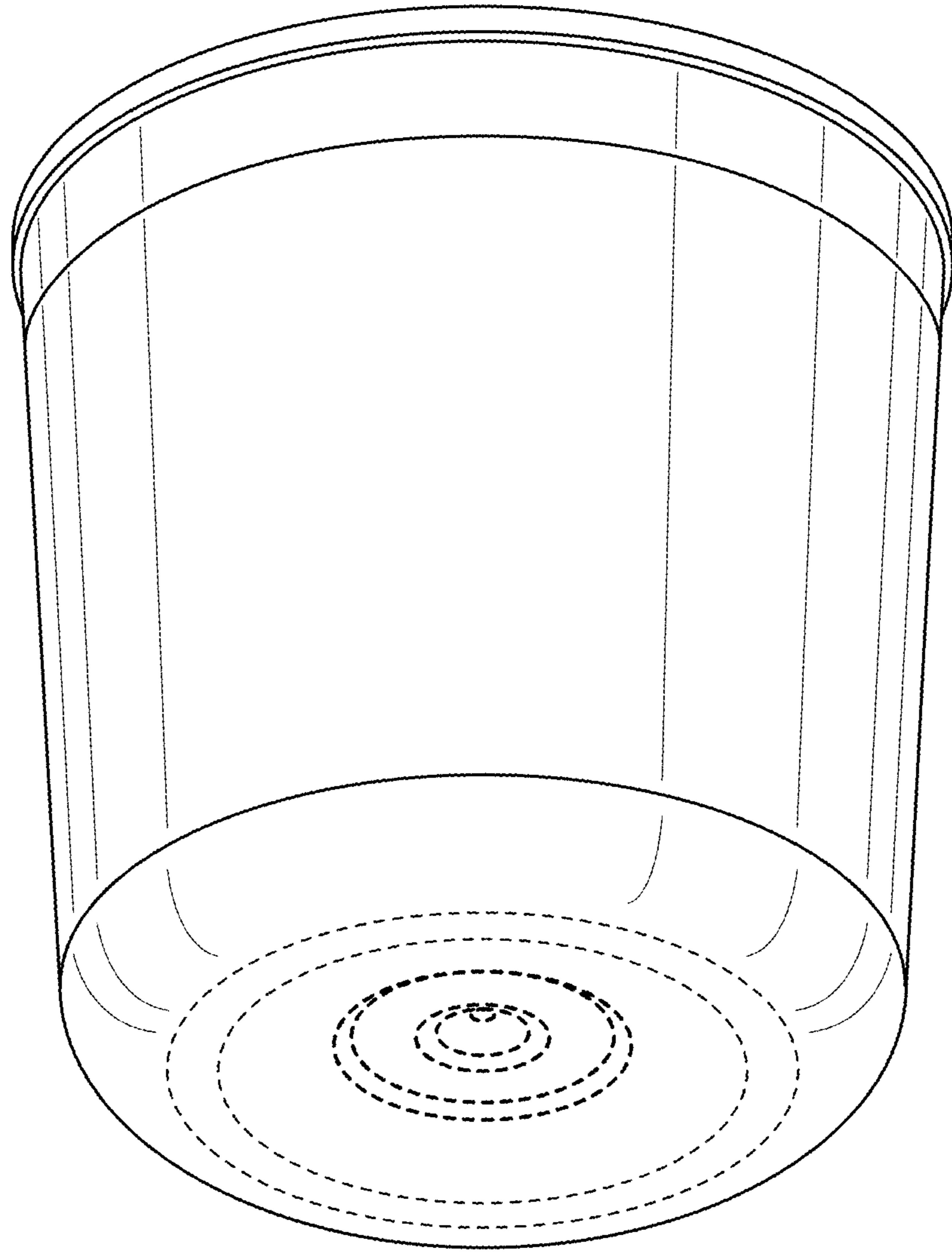


FIG. 2

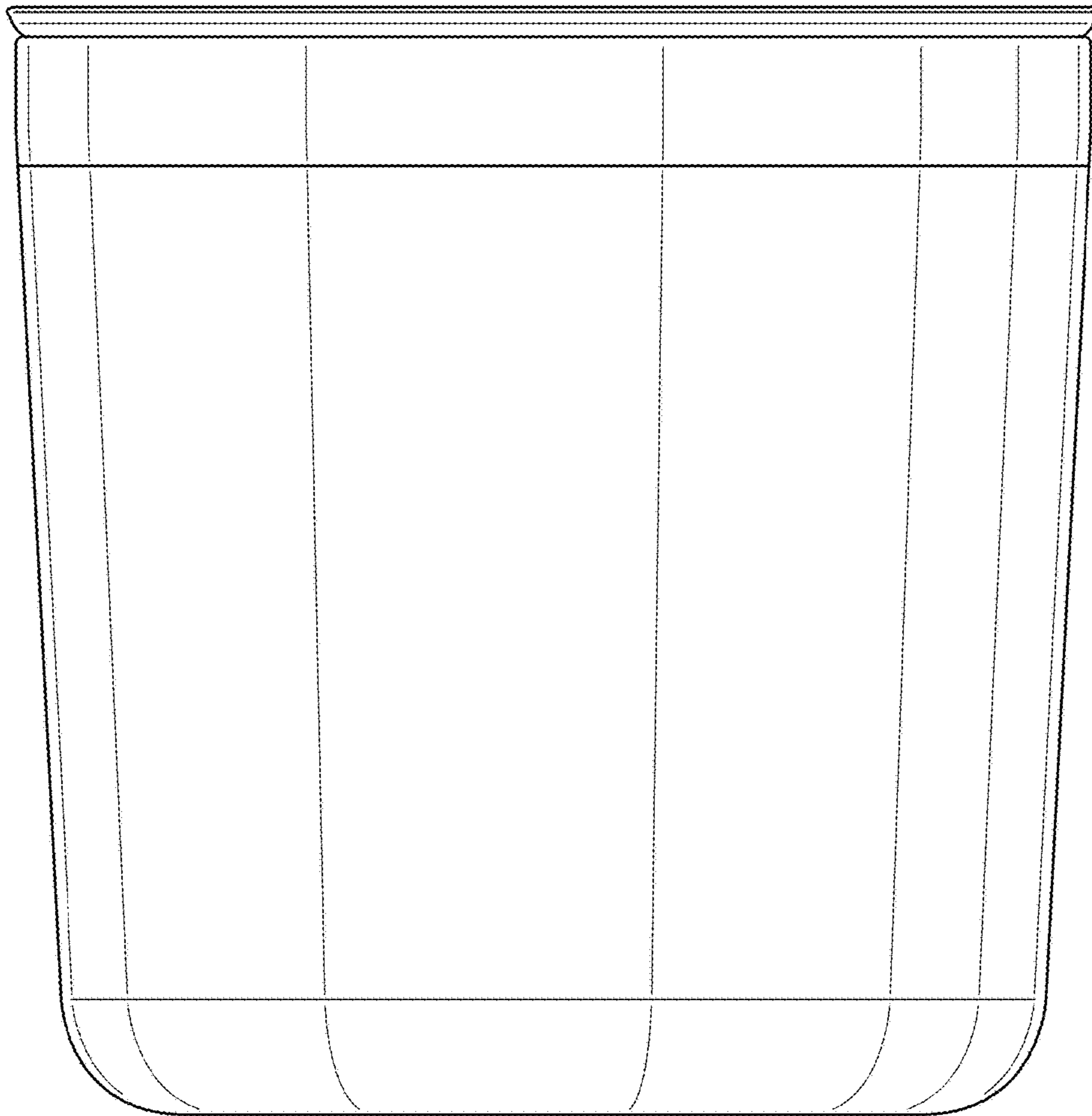


FIG. 3

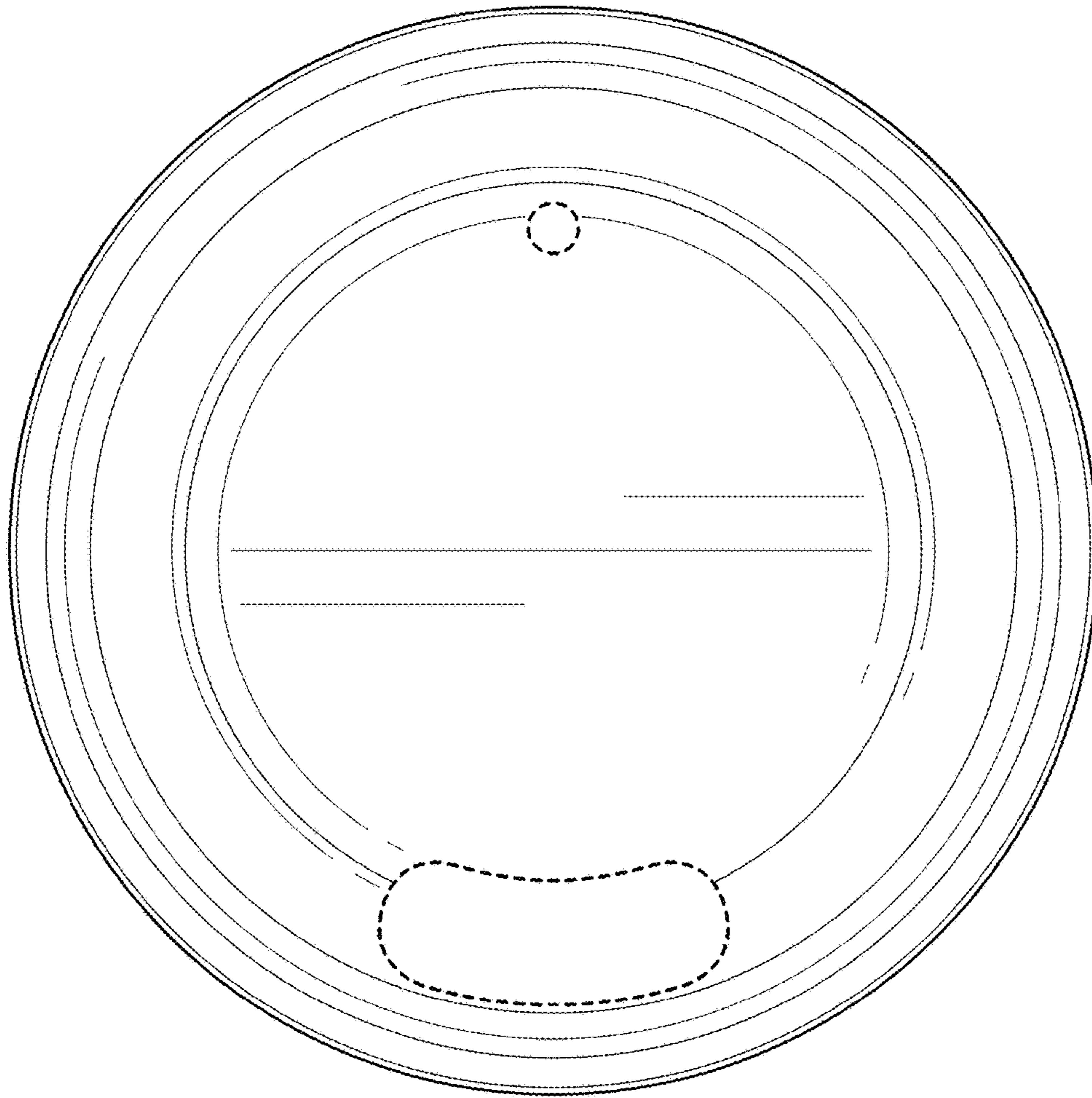


FIG. 4

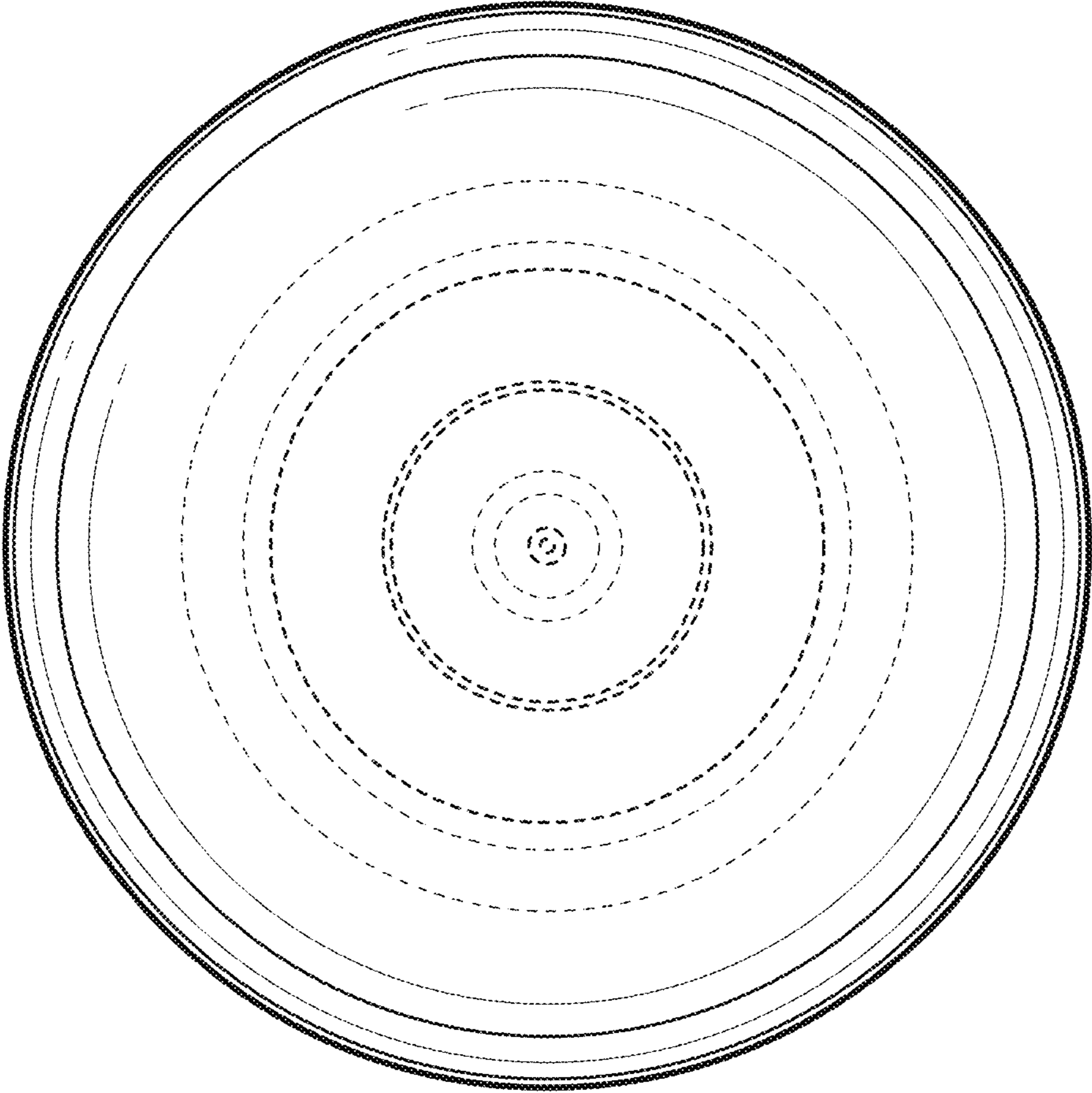


FIG. 5