



US00D823060S

(12) **United States Design Patent** (10) **Patent No.:** **US D823,060 S**
Knapp (45) **Date of Patent:** **** Jul. 17, 2018**

(54) **MIXING BLADE FOR USE IN A BEVERAGE CONTAINER**

(71) Applicant: **Jeff Andrew Knapp**, Omaha, NE (US)

(72) Inventor: **Jeff Andrew Knapp**, Omaha, NE (US)

(**) Term: **15 Years**

(21) Appl. No.: **35/501,142**

(22) Filed: **Dec. 30, 2015**

(80) **Hague Agreement Data**

Int. Filing Date: **Dec. 30, 2015**
Int. Reg. No.: **DM/089510**
Int. Reg. Date: **Dec. 30, 2015**
Int. Reg. Pub. Date: **Jul. 1, 2016**

Related U.S. Application Data

(63) Continuation of application No. 14/947,073, filed on Nov. 20, 2015.

(51) **LOC (11) Cl.** **07-99**

(52) **U.S. Cl.**
USPC **D7/412**

(58) **Field of Classification Search**

USPC D7/688-697, 649-652, 672-677,
D7/412-413, 372, 376-386, 665-669,
D7/679; D15/138; D23/200
CPC A21C 11/04; A21C 11/02; A21C 11/12;
A21C 3/021; A21C 3/00; A21C 1/02;
A21C 1/04; A47J 43/04; A47J 43/25;
A47J 43/042; A47J 43/27

See application file for complete search history.

(56) **References Cited**

U.S. PATENT DOCUMENTS

D24,545 S * 8/1895 Hensel D7/412
789,614 A * 5/1905 Koelner A21C 1/02
366/98

1,251,160 A * 12/1917 Woody A47J 43/25
241/168
D433,282 S * 11/2000 Bohannon, Jr. D7/412
D610,884 S * 3/2010 Rabanal D7/650
D664,393 S * 7/2012 Dietz D7/376
D706,581 S * 6/2014 Pendleton D7/376
D729,573 S * 5/2015 Moon D7/376
D742,171 S * 11/2015 Conti A47J 36/16
D7/376
D758,799 S * 6/2016 Audette D7/376
2015/0230480 A1* 8/2015 Wang A21C 1/1405
366/97
2016/0192810 A1* 7/2016 Knapp A47J 43/27
366/343
2016/0287020 A1* 10/2016 Horito A47J 43/27

* cited by examiner

Primary Examiner — Sheryl L Lane
Assistant Examiner — Nicole Christine Shiflet
(74) *Attorney, Agent, or Firm* — Husch Blackwell LLP

(57) **CLAIM**

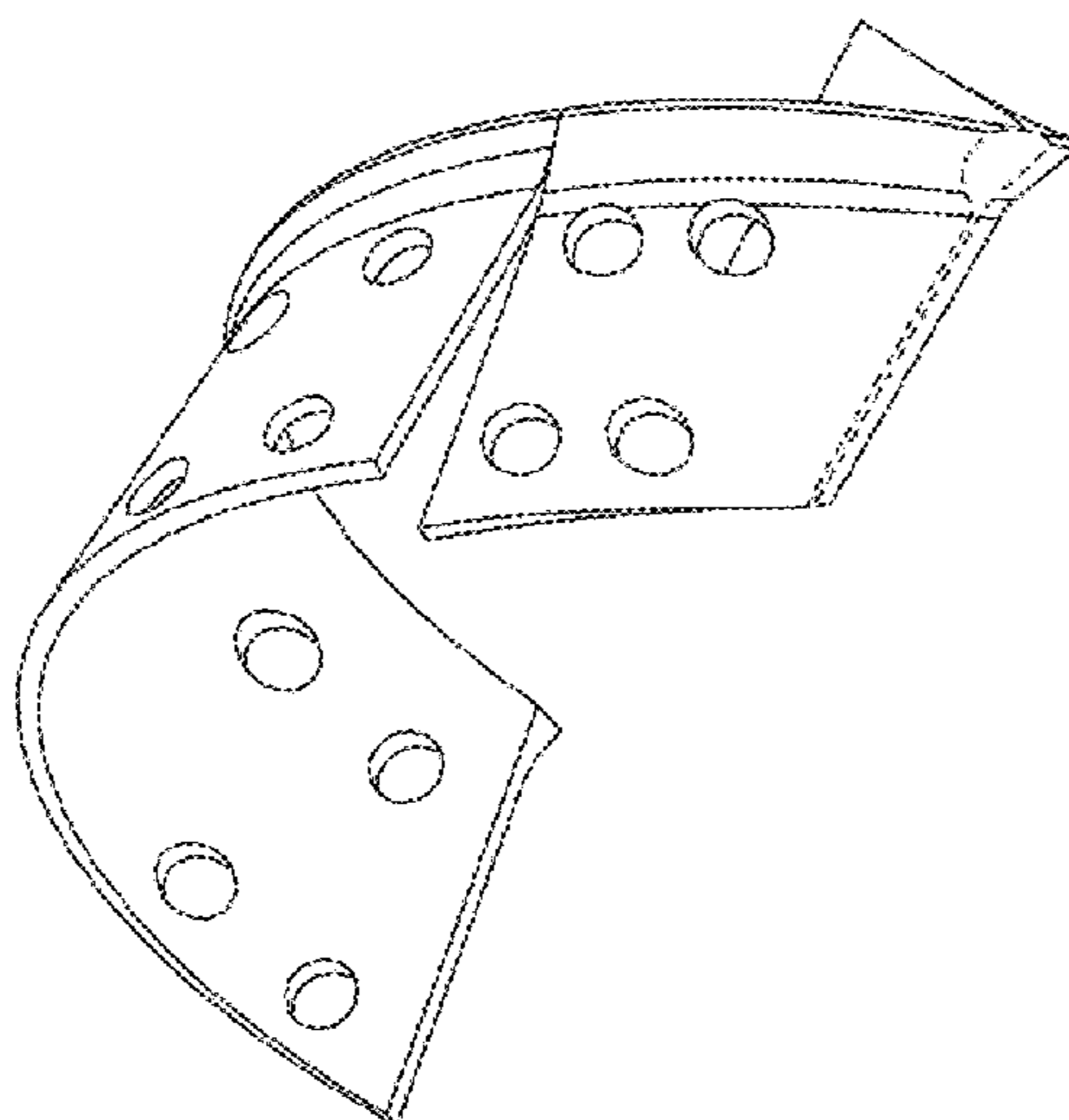
The ornamental design for a mixing blade for use in a beverage container, as shown and described.

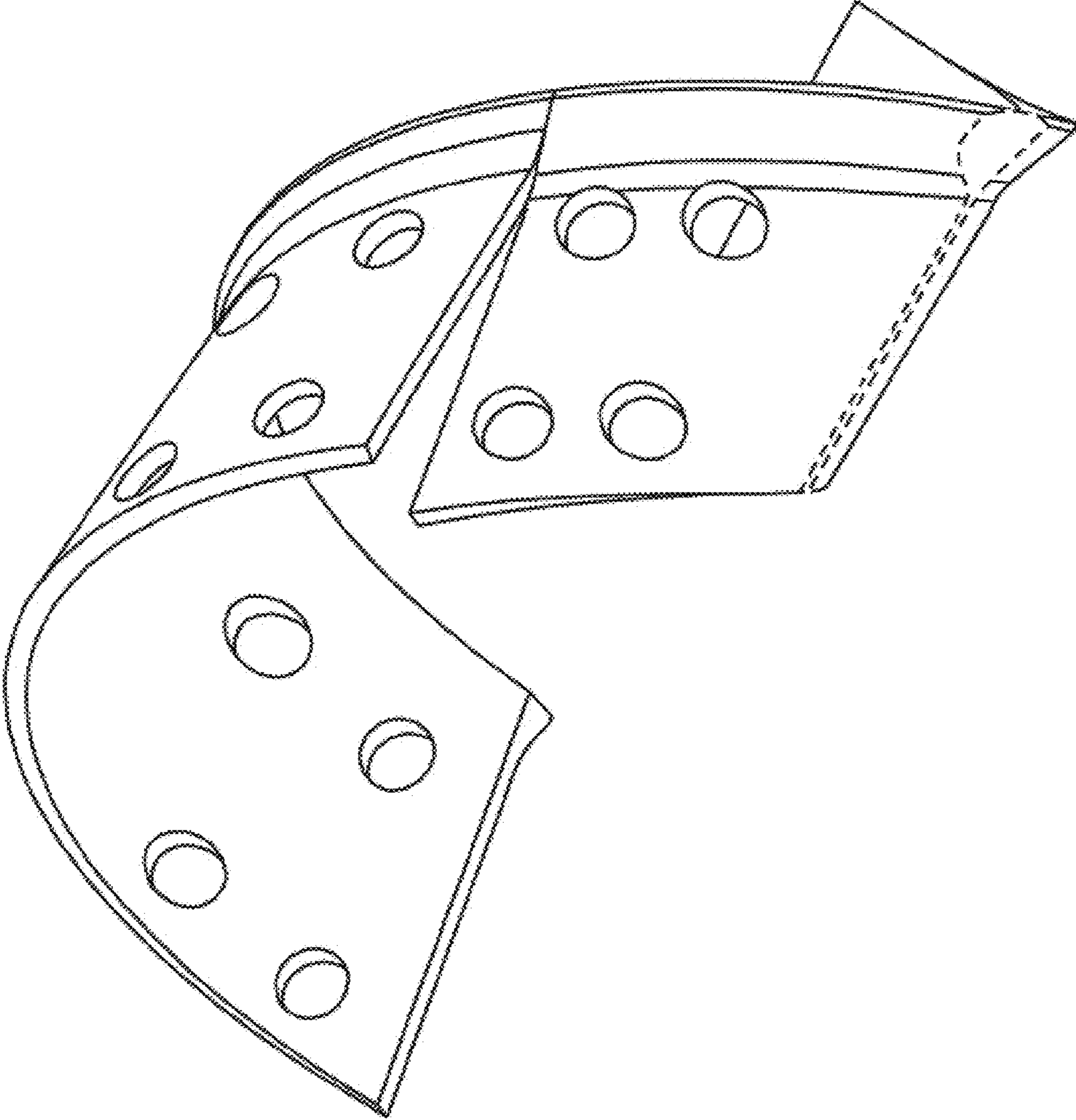
DESCRIPTION

- 1. Mixing blade for use in a beverage container
- 1.1 : Perspective
- 1.2 : Front
- 1.3 : Back
- 1.4 : Left
- 1.5 : Right
- 1.6 : Top
- 1.7 : Bottom

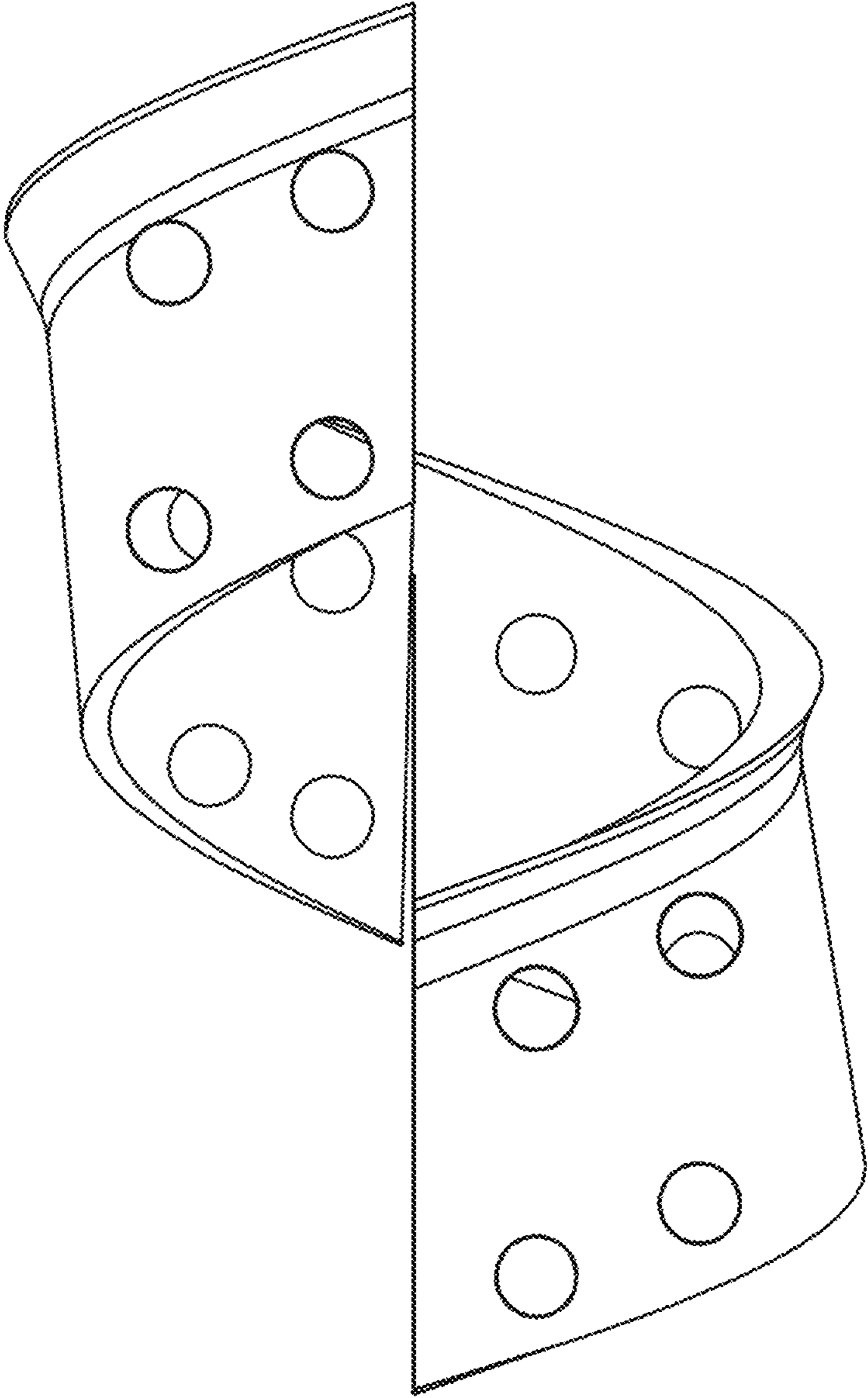
The broken lines in the figures are for the purpose of illustrating portions of the article and form no part of the claimed design.

1 Claim, 7 Drawing Sheets

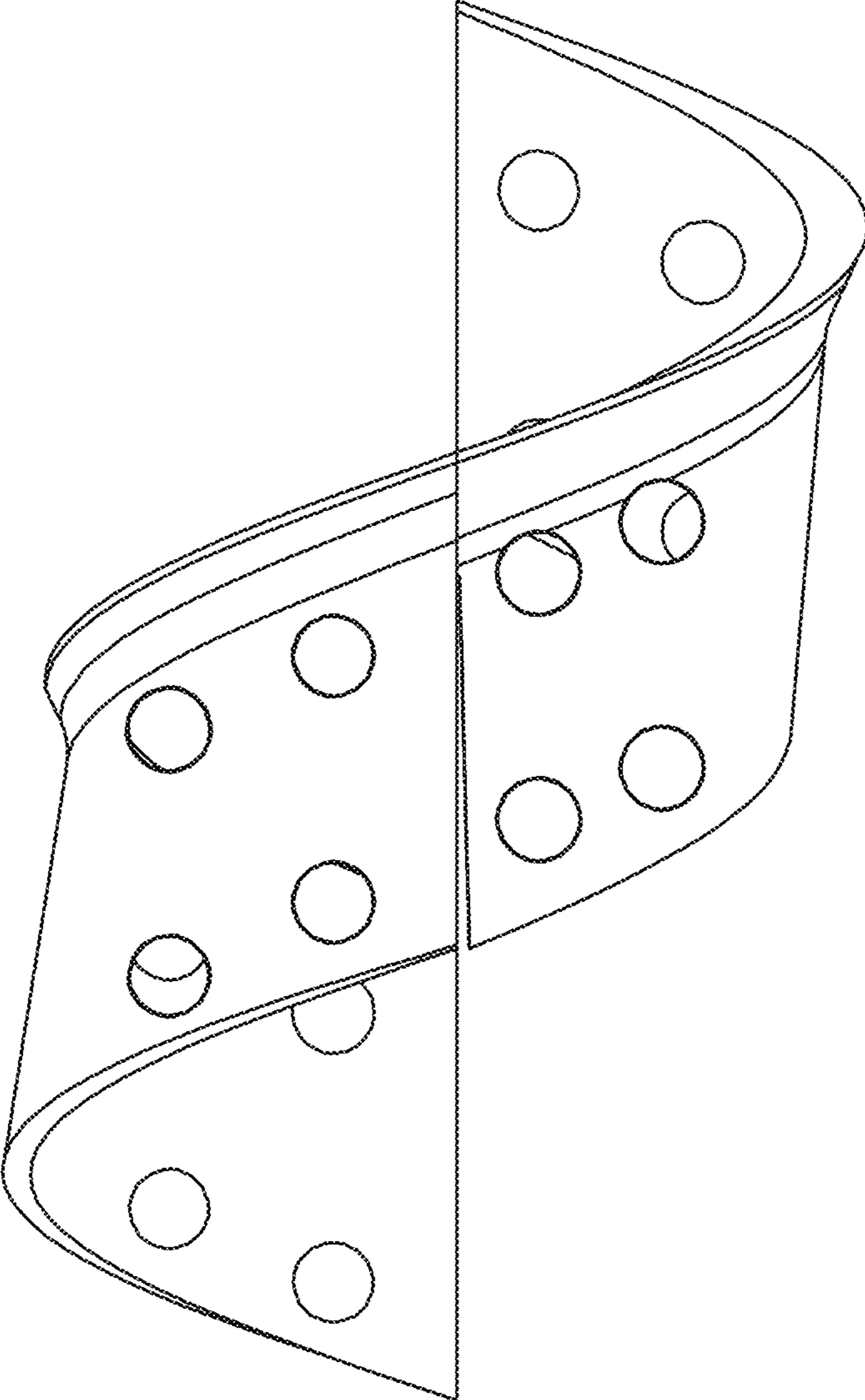




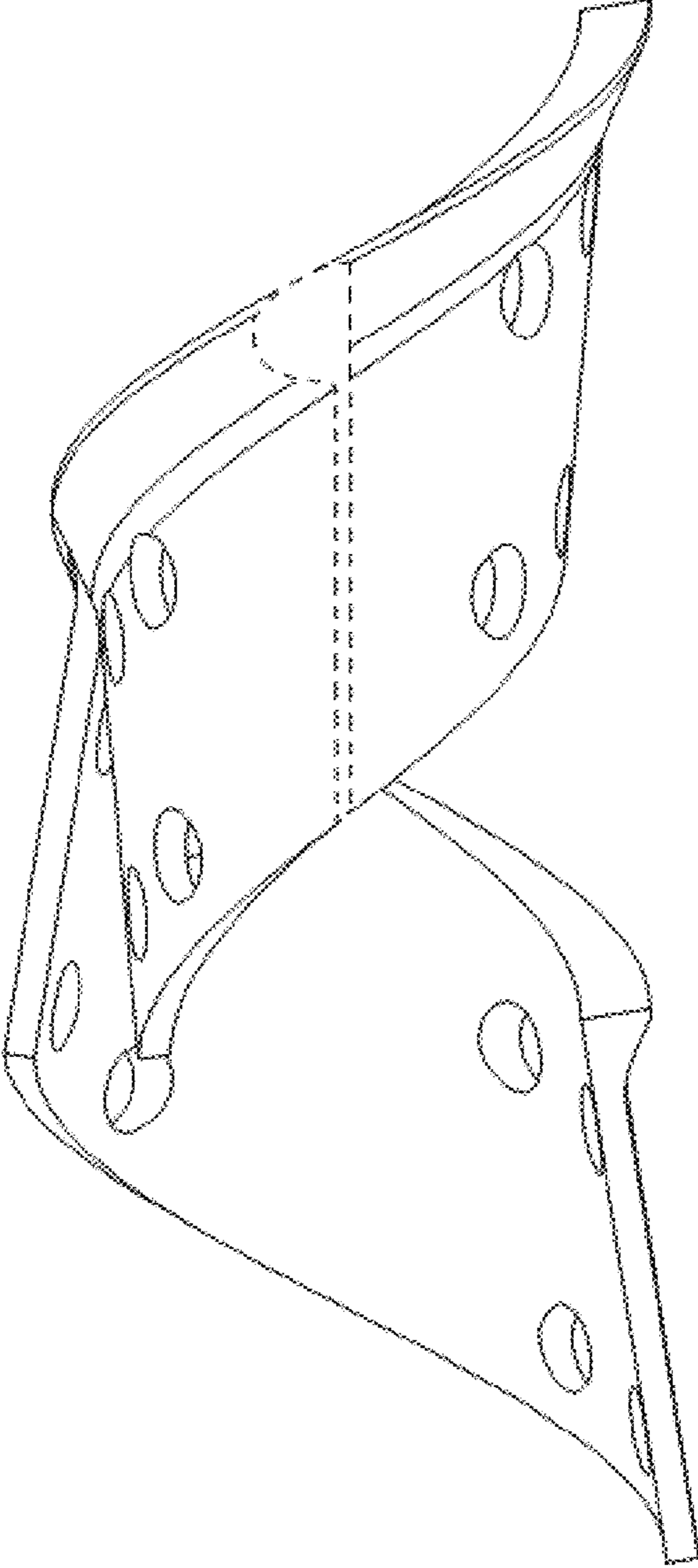
1.1

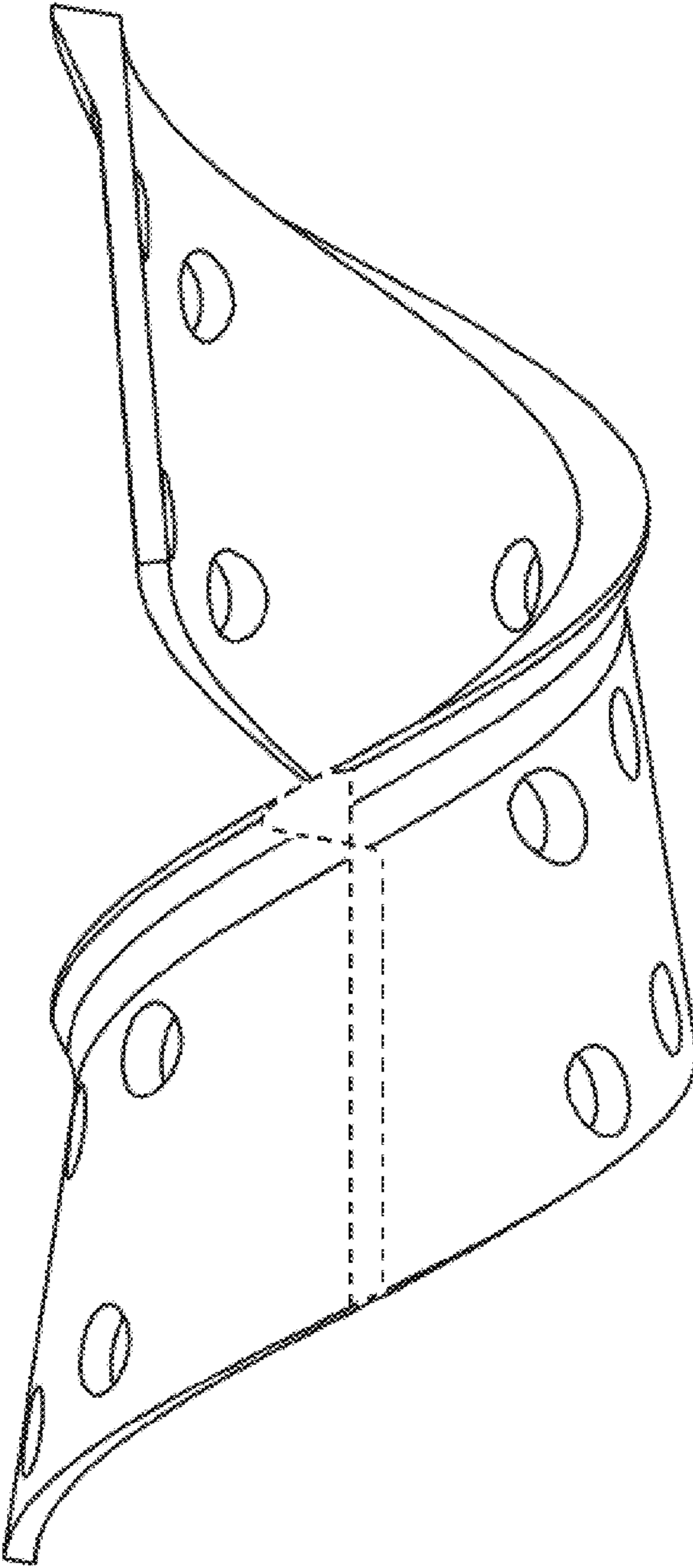


1.2

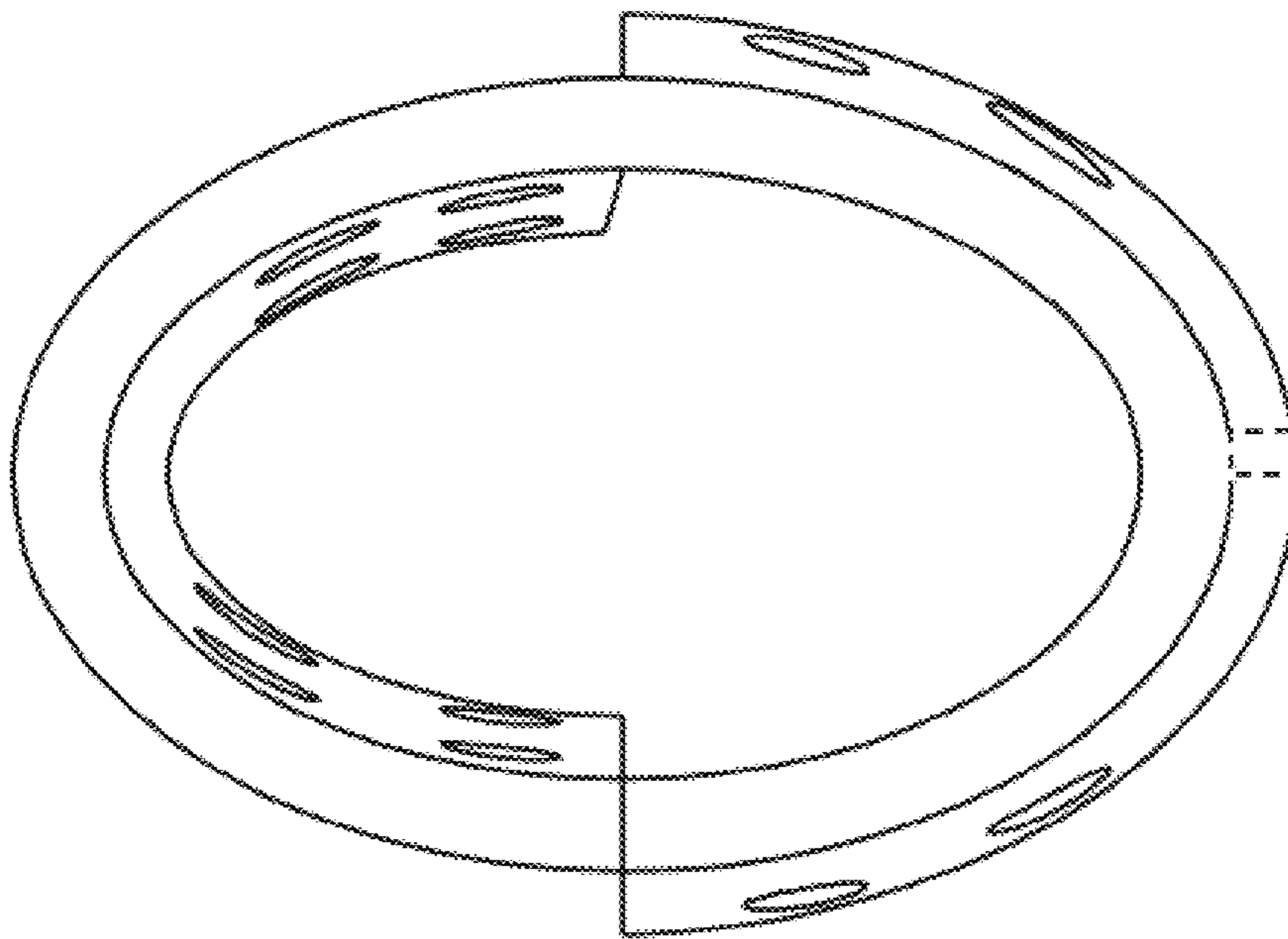


1.3

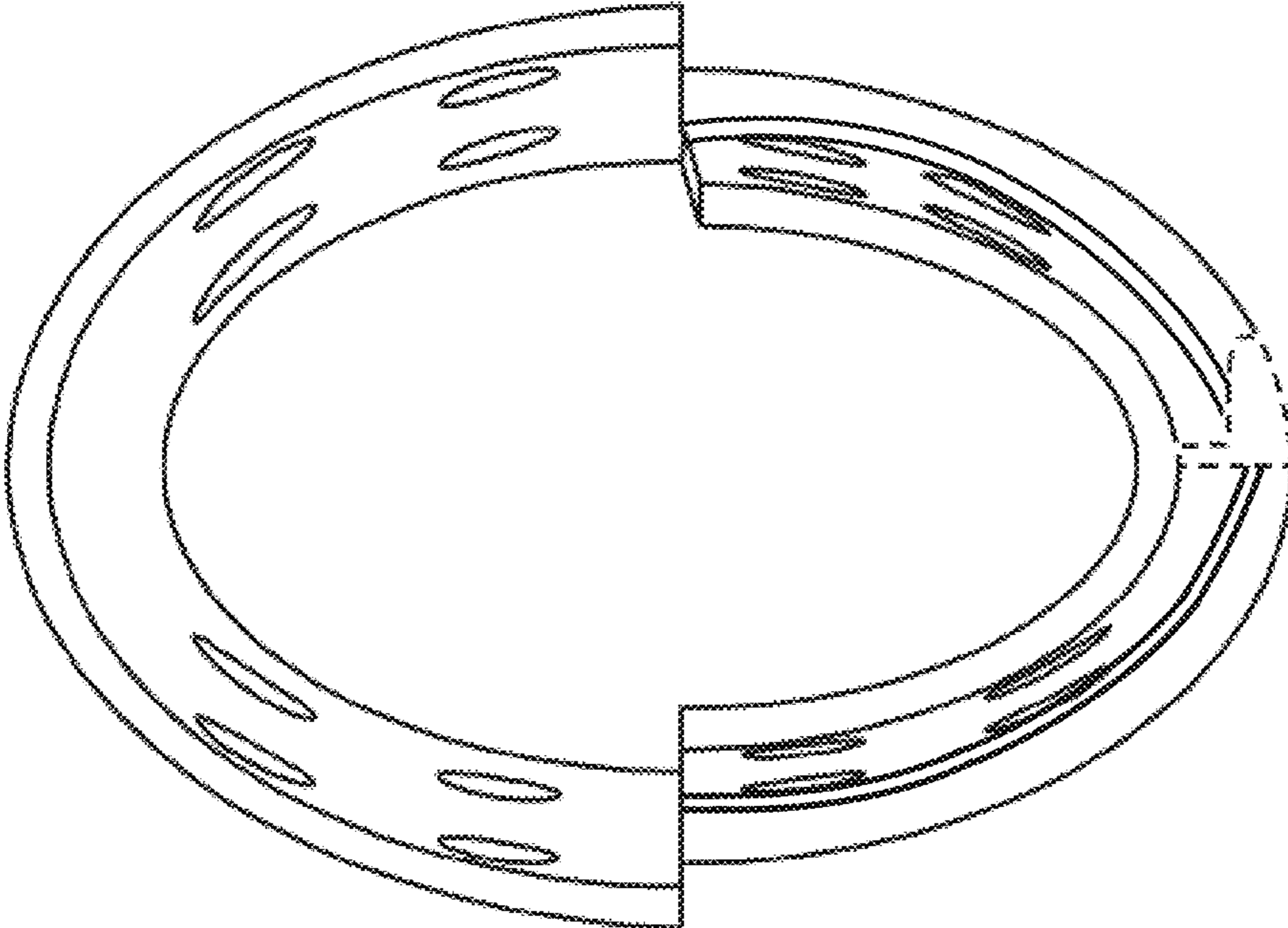




1.5



1.6



1.7