



US00D823059S

(12) **United States Design Patent**
Donaghy

(10) **Patent No.:** **US D823,059 S**
(45) **Date of Patent:** **** Jul. 17, 2018**

(54) **VEGETABLE CUTTER BLADE**
(71) Applicant: **Stephen Donaghy**, Dungannon (GB)
(72) Inventor: **Stephen Donaghy**, Dungannon (GB)
(**) Term: **15 Years**
(21) Appl. No.: **29/604,687**
(22) Filed: **May 19, 2017**
(30) **Foreign Application Priority Data**

D366,935 S * 2/1996 Arthun D12/214
6,394,430 B1 * 5/2002 Forschner B01F 3/04539
261/87
D525,995 S * 8/2006 Bjork D15/139
7,083,386 B2 * 8/2006 Horng F04D 29/30
416/175
D704,323 S * 5/2014 Rasmussen D23/379
D709,325 S * 7/2014 Guo D7/376
D713,861 S * 9/2014 Langlais D15/28
D742,427 S * 11/2015 Langlais D15/28
D755,363 S * 5/2016 Rasmussen D23/379
2003/0063975 A1 * 4/2003 Horng F04D 29/023
416/183
2009/0166455 A1 * 7/2009 Pai A47J 42/04
241/93

Nov. 21, 2016 (EM) 003475904-0021

(51) **LOC (11) Cl.** **31-00**
(52) **U.S. Cl.**
USPC **D7/412**; D7/383; D7/384
(58) **Field of Classification Search**
USPC D7/372, 376-386, 412-413, 602, 629,
D7/665-666, 669, 679, 693-694;
D15/28, 139; D23/379, 411
CPC A01D 34/005; A21C 1/02; A21C 1/04;
A23N 1/00; A23N 1/02; A47J 42/04;
A47J 43/04; A47J 43/25; A47J 43/27;
A47J 43/042; A47J 43/044; A47J 43/046;
A47J 43/075; A47J 43/0722; A47J
43/0727; B01F 3/00; B01F 3/04539;
B01F 3/0807; B01F 3/0853; B01F
7/00316; B01F 13/0059; B01F 13/0064;
B02C 1/08; B02C 2/04; B02C 4/42;
B02C 4/142; B02C 4/143; B02C 4/423;
B02C 13/1835; B28C 5/10; B28C 5/12;
B28C 5/14; B28C 5/16; F04D 29/023
See application file for complete search history.

* cited by examiner

Primary Examiner — Ricky Pham

(74) *Attorney, Agent, or Firm* — Gardner, Linn, Burkhardt
& Ondersma LLP

(57) **CLAIM**

The ornamental design for a vegetable cutter blade, as shown and described.

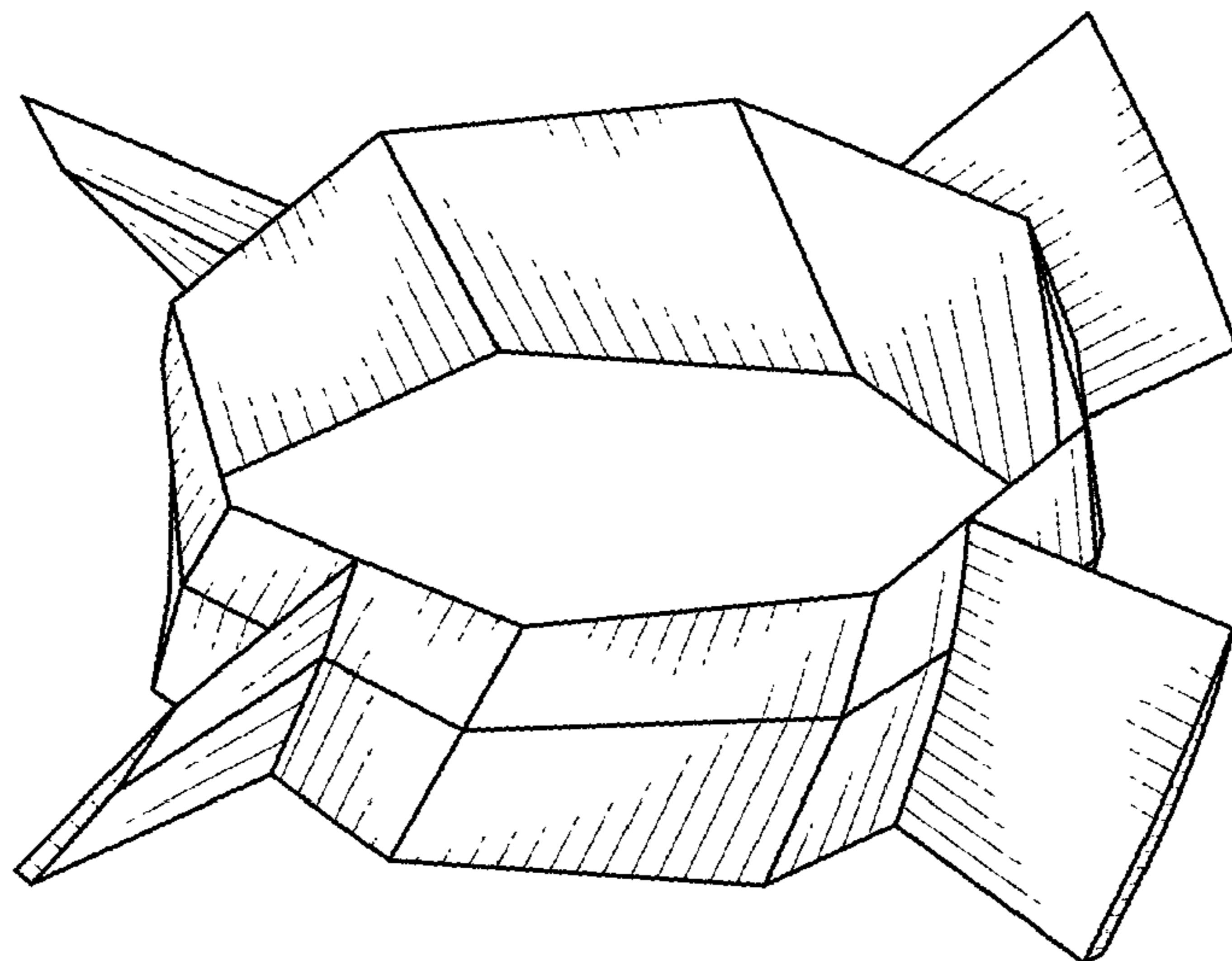
DESCRIPTION

FIG. 1 is a perspective view of a vegetable cutter blade showing my new design;
FIG. 2 is a top plan view thereof;
FIG. 3 is a bottom plan view thereof;
FIG. 4 is a front elevation thereof;
FIG. 5 is a rear elevation thereof; and,
FIG. 6 is a side elevation thereof; the opposite side being identical.

(56) **References Cited**
U.S. PATENT DOCUMENTS

3,526,467 A * 9/1970 Kime B01F 7/00316
416/200 R
3,797,212 A * 3/1974 Pursel A01D 34/005
56/255

1 Claim, 2 Drawing Sheets



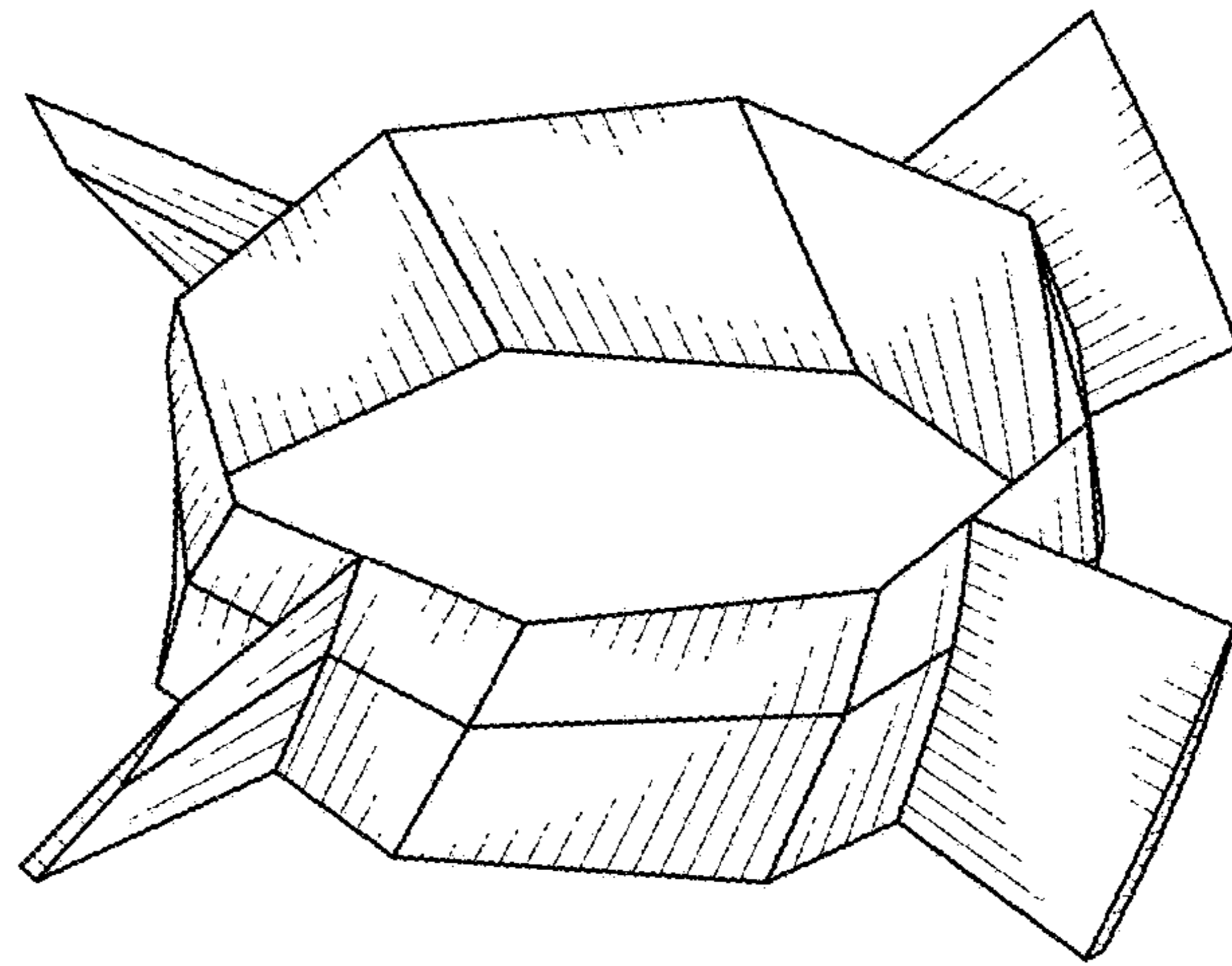


FIG. 1

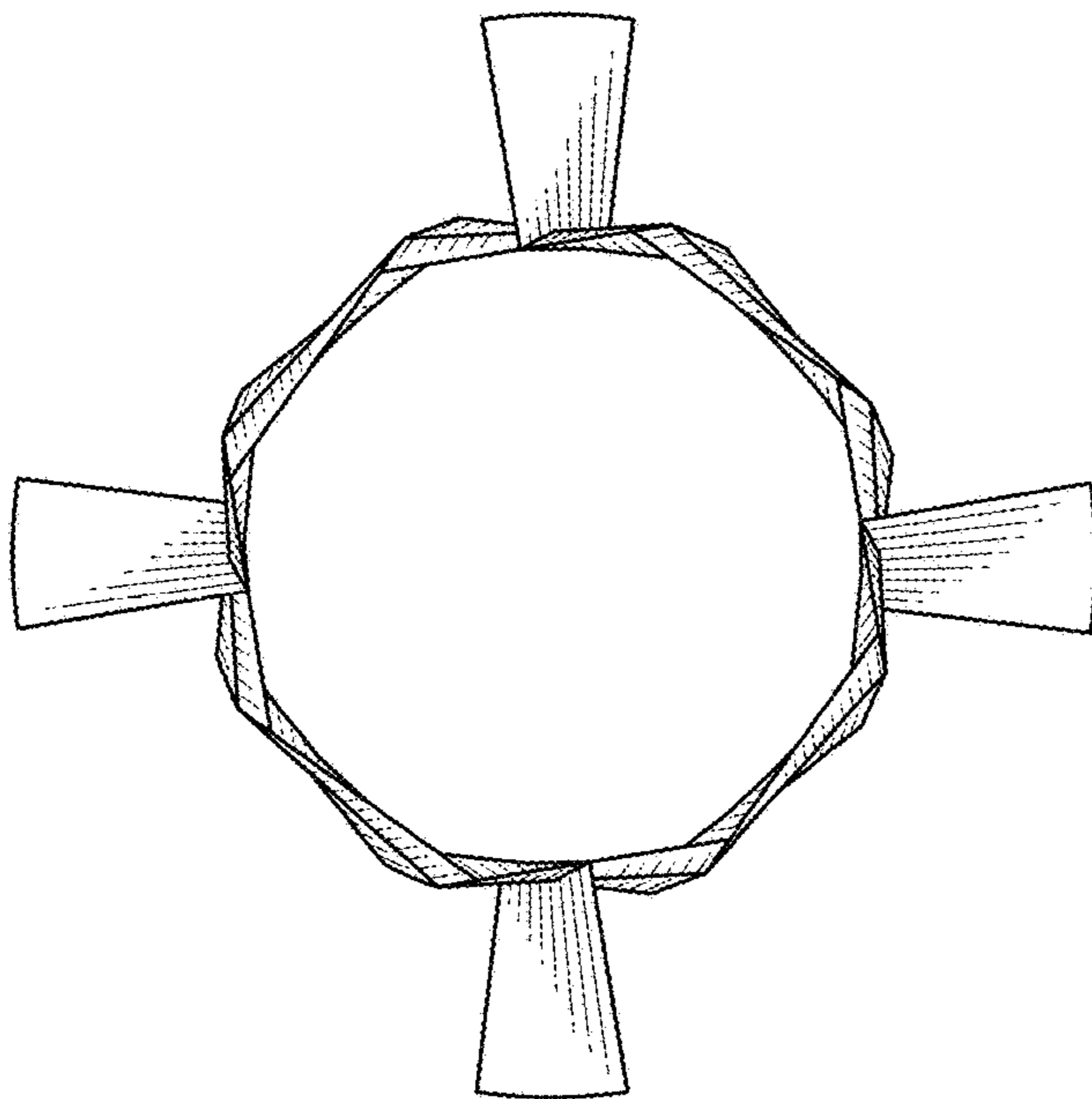


FIG. 2

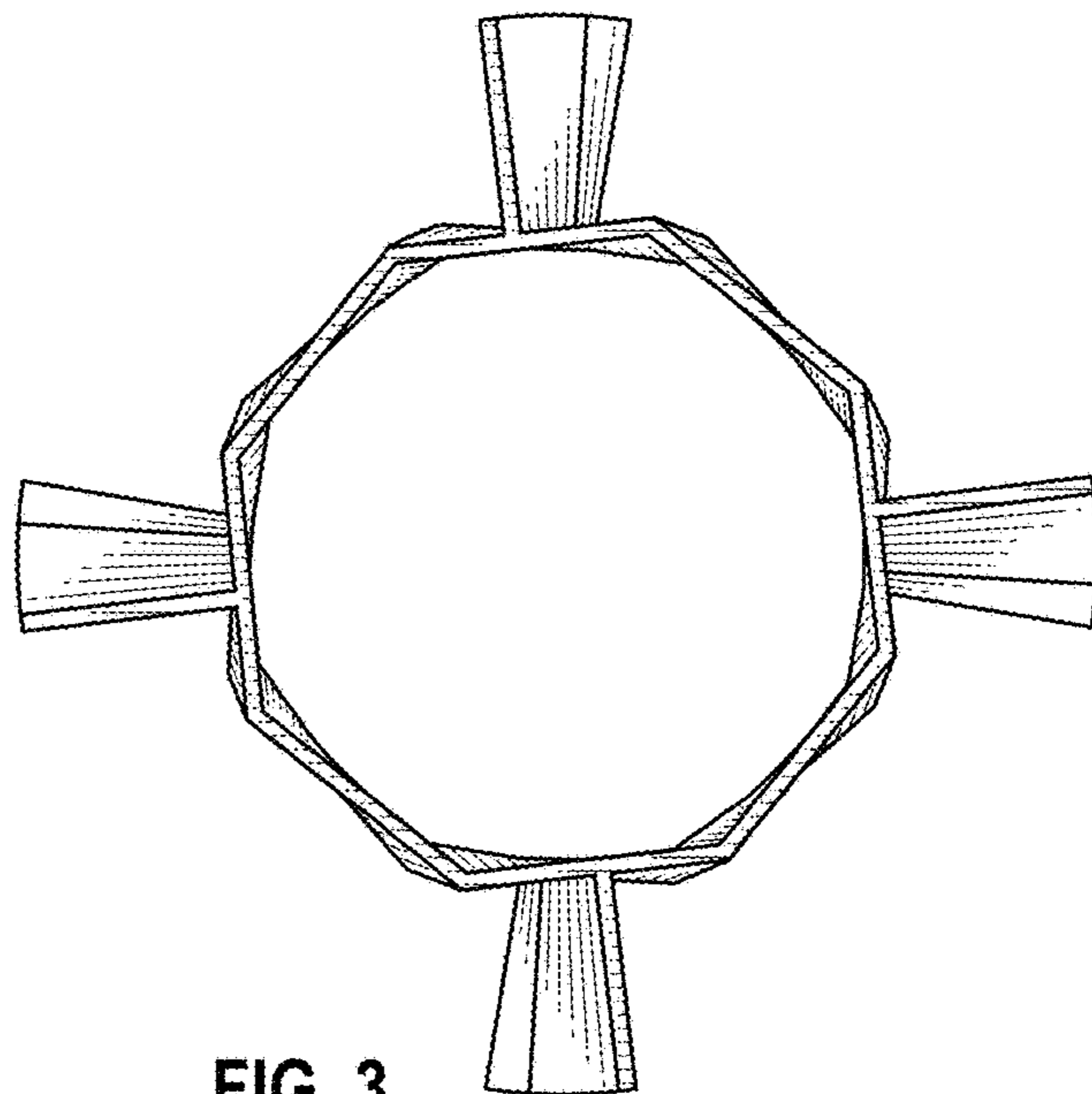


FIG. 3

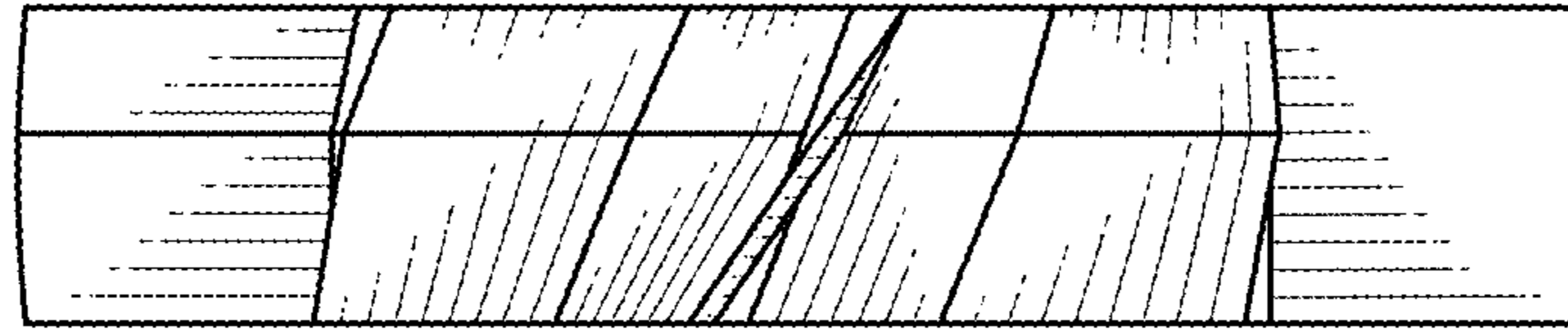


FIG. 4

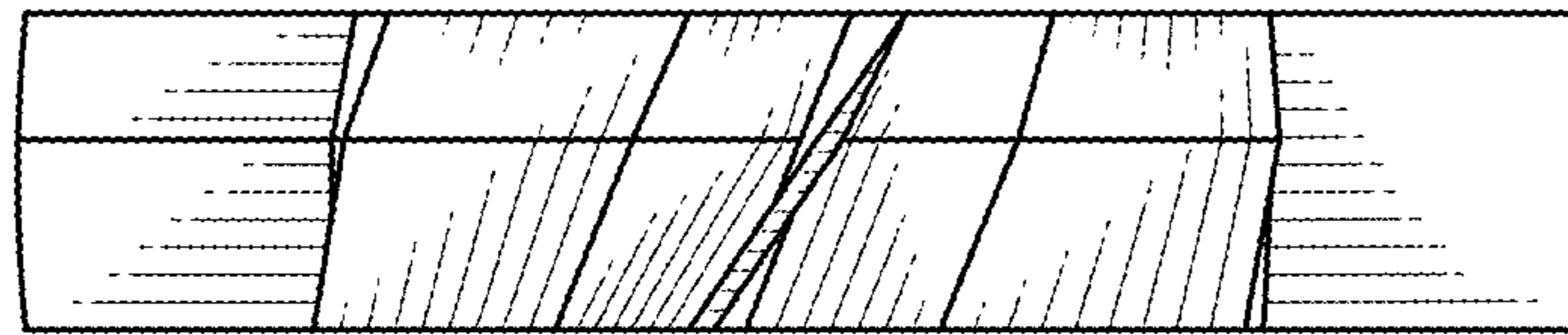


FIG. 5

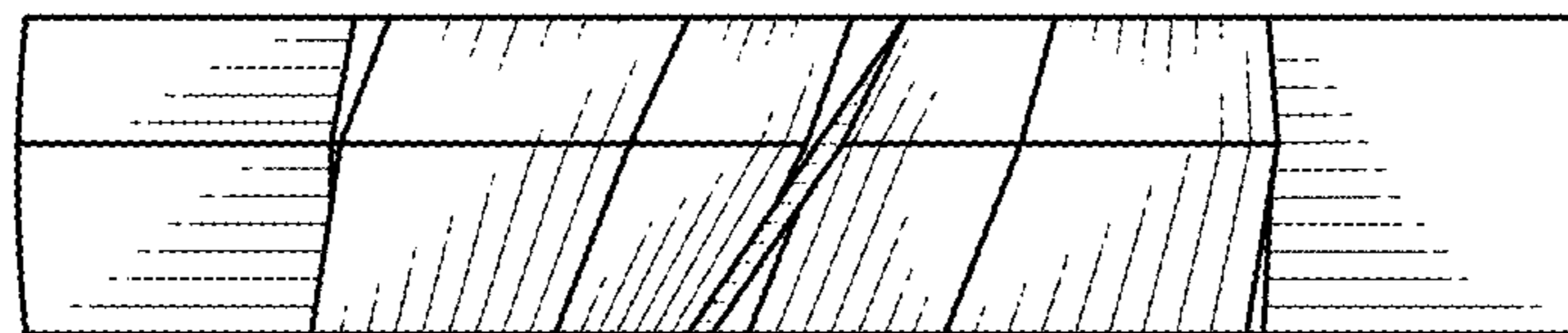


FIG. 6