



US00D823058S

(12) **United States Design Patent**
Donaghy

(10) **Patent No.:** **US D823,058 S**

(45) **Date of Patent:** **** Jul. 17, 2018**

- (54) **VEGETABLE CUTTER BLADE**
- (71) Applicant: **Stephen Donaghy**, Dungannon (GB)
- (72) Inventor: **Stephen Donaghy**, Dungannon (GB)
- (**) Term: **15 Years**
- (21) Appl. No.: **29/604,686**
- (22) Filed: **May 19, 2017**
- (30) **Foreign Application Priority Data**

D366,935 S *	2/1996	Arthun	D12/214
6,394,430 B1 *	5/2002	Forschner	B01F 3/04539
				261/87
D525,995 S *	8/2006	Bjork	D15/139
7,083,386 B2 *	8/2006	Horng	F04D 29/30
				416/175
D704,323 S *	5/2014	Rasmussen	D23/379
D709,325 S *	7/2014	Guo	D7/376
D713,861 S *	9/2014	Langlais	D15/28
D742,427 S *	11/2015	Langlais	D15/28
D755,363 S *	5/2016	Rasmussen	D23/379
2003/0063975 A1 *	4/2003	Horng	F04D 29/023
				416/183
2009/0166455 A1 *	7/2009	Pai	A47J 42/04
				241/93

- Nov. 21, 2016 (EM) 003475904-0023
- (51) **LOC (11) Cl.** **31-00**
- (52) **U.S. Cl.**
USPC **D7/412**; D7/383; D7/384
- (58) **Field of Classification Search**
USPC D7/372, 376-386, 412-413, 602, 629,
D7/665-666, 669, 679, 693-694;
D15/28, 139; D23/379, 411
CPC A01D 34/005; A21C 1/02; A21C 1/04;
A23N 1/00; A23N 1/02; A47J 42/04;
A47J 43/04; A47J 43/25; A47J 43/27;
A47J 43/042; A47J 43/044; A47J 43/046;
A47J 43/075; A47J 43/0722; A47J
43/0727; B01F 3/00; B01F 3/04539;
B01F 3/0807; B01F 3/0853; B01F
7/00316; B01F 13/0059; B01F 13/0064;
B02C 1/08; B02C 2/04; B02C 4/42;
B02C 4/142; B02C 4/143; B02C 4/423;
B02C 13/1835; B28C 5/10; B28C 5/12;
B28C 5/14; B28C 5/16; F04D 29/023
See application file for complete search history.

* cited by examiner

Primary Examiner — Ricky Pham

(74) *Attorney, Agent, or Firm* — Gardner, Linn, Burkhardt & Ondersma LLP

(56) **References Cited**

U.S. PATENT DOCUMENTS

- 3,526,467 A * 9/1970 Kime B01F 7/00316
416/200 R
- 3,797,212 A * 3/1974 Pursel A01D 34/005
56/255

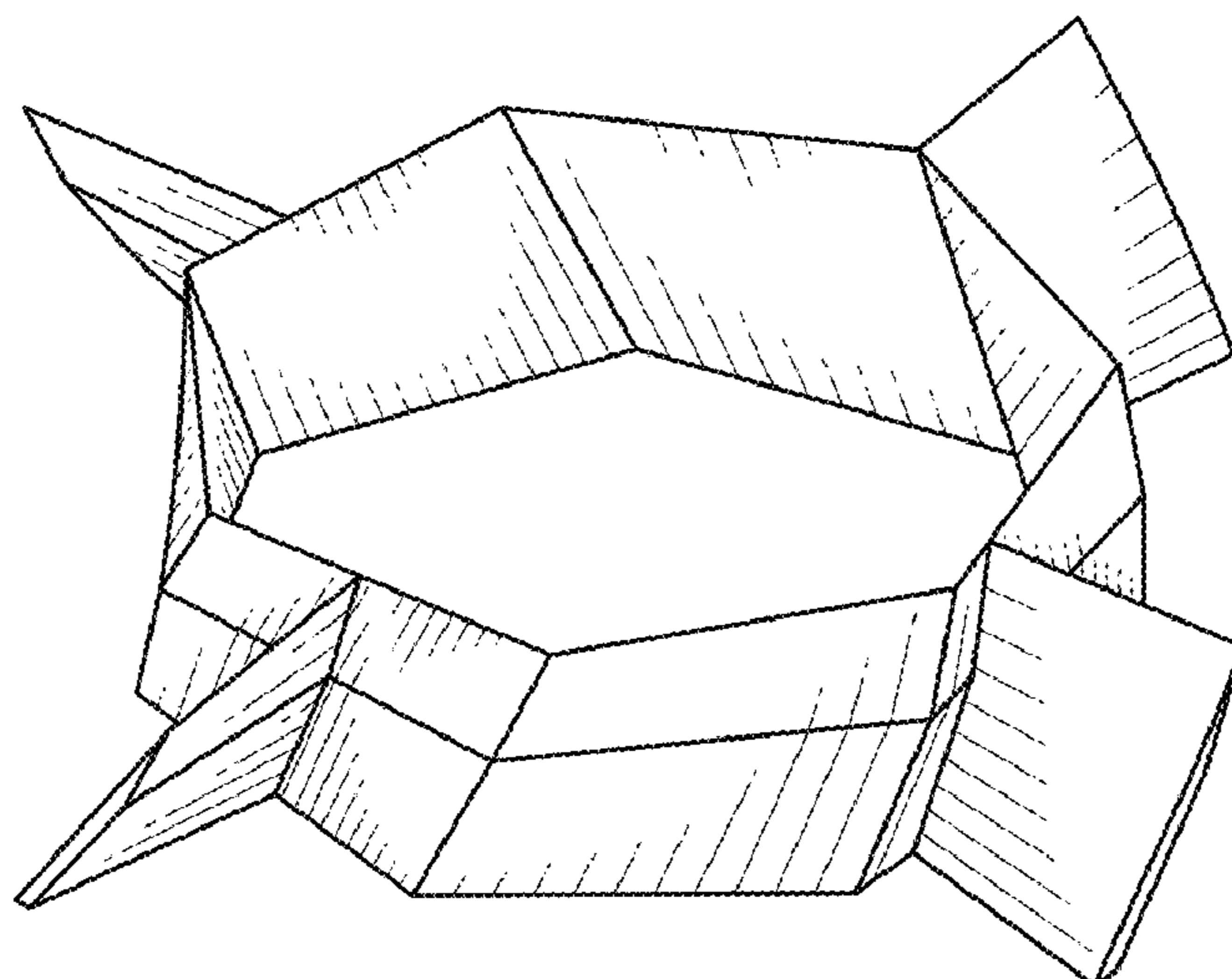
(57) **CLAIM**

The ornamental design for a vegetable cutter blade, as shown and described.

DESCRIPTION

FIG. 1 is a perspective view of a vegetable cutter blade showing my new design;
 FIG. 2 is a top plan view thereof;
 FIG. 3 is a bottom plan view thereof;
 FIG. 4 is a front elevation thereof;
 FIG. 5 is a rear elevation thereof; and,
 FIG. 6 is a side elevation thereof.

1 Claim, 2 Drawing Sheets



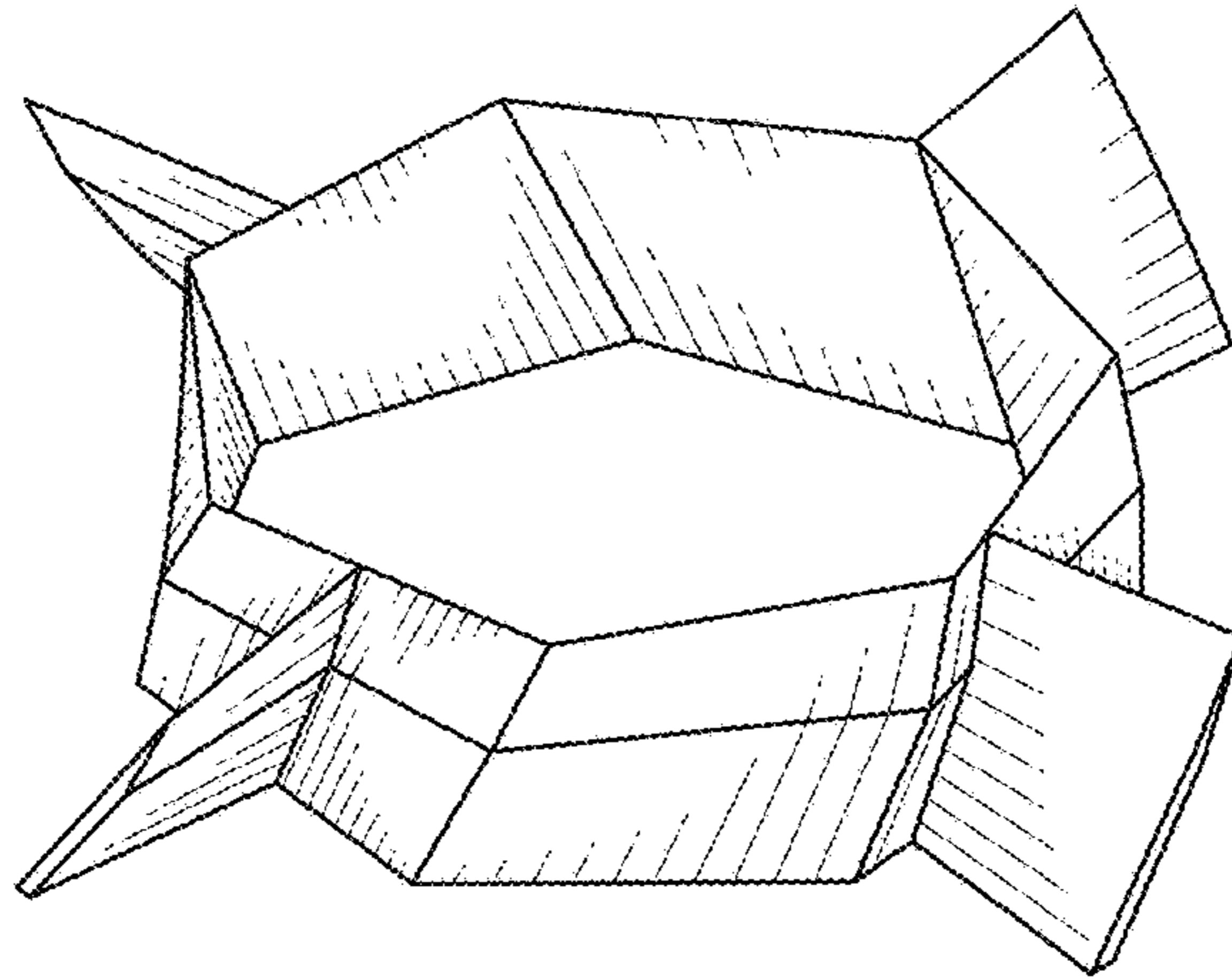


FIG. 1

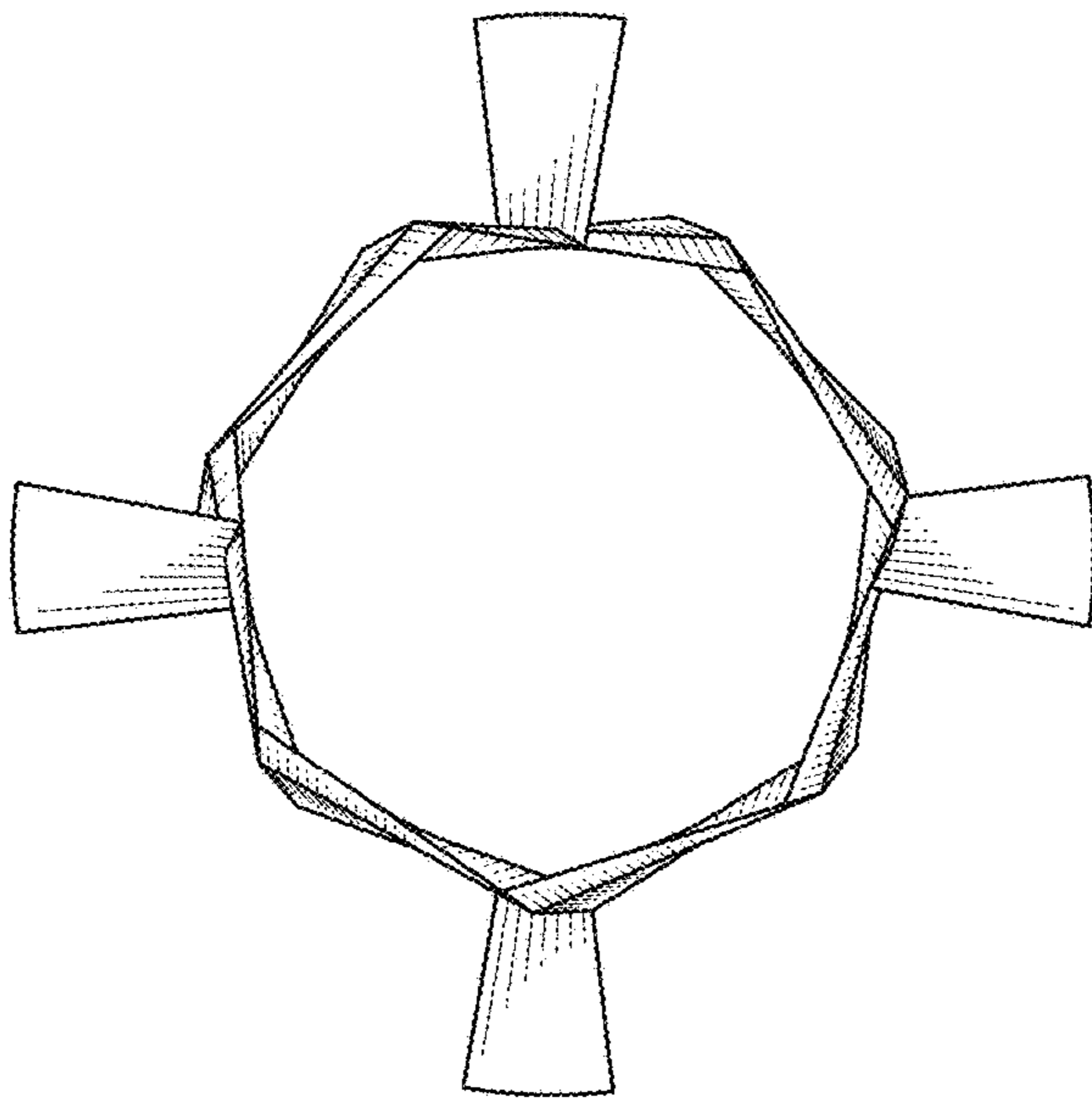


FIG. 2

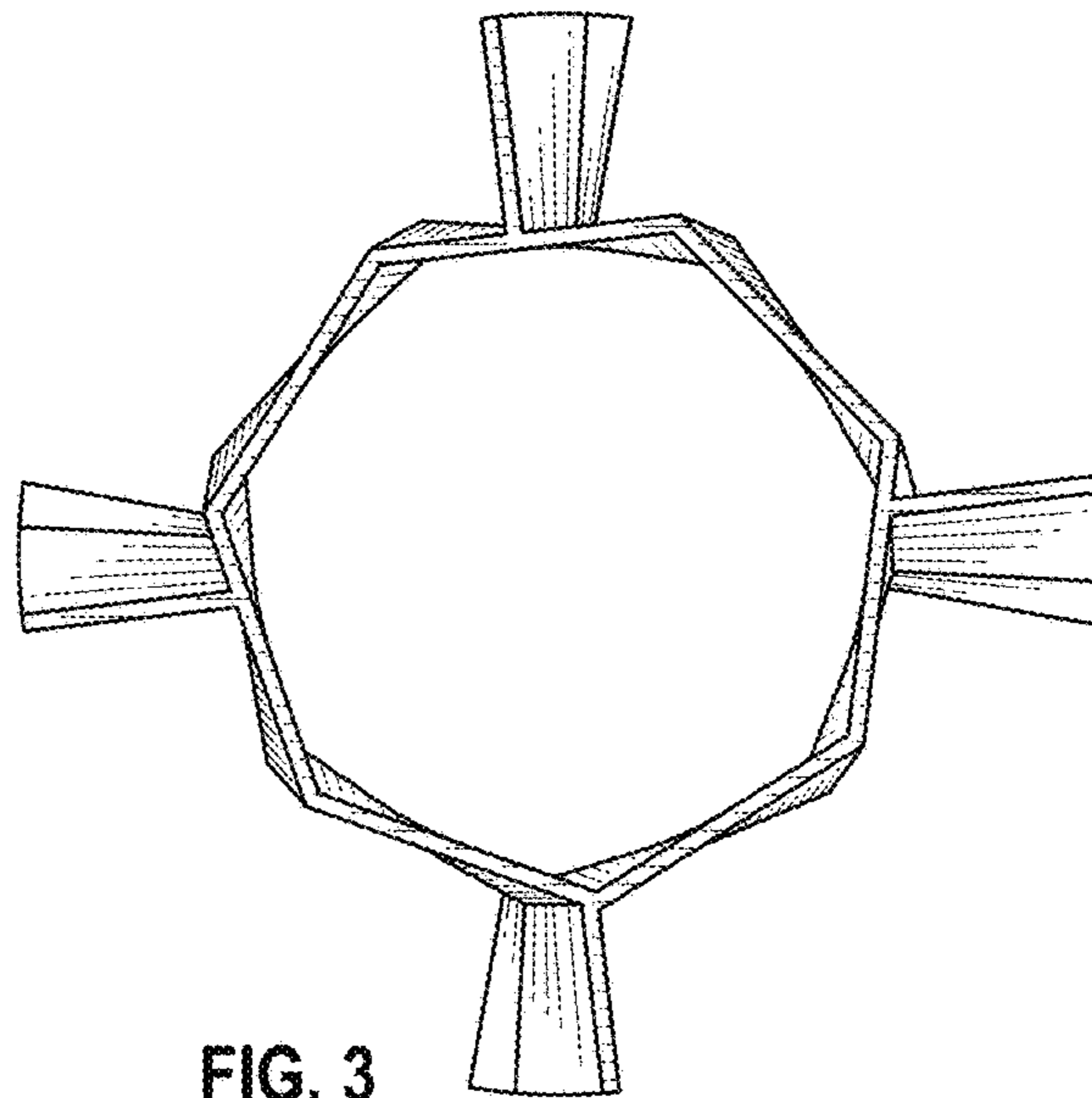


FIG. 3

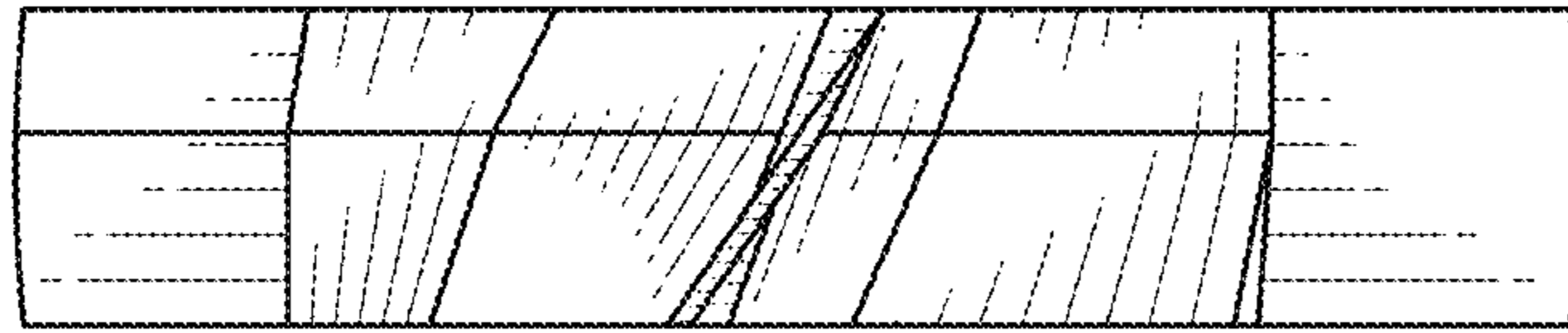


FIG. 4

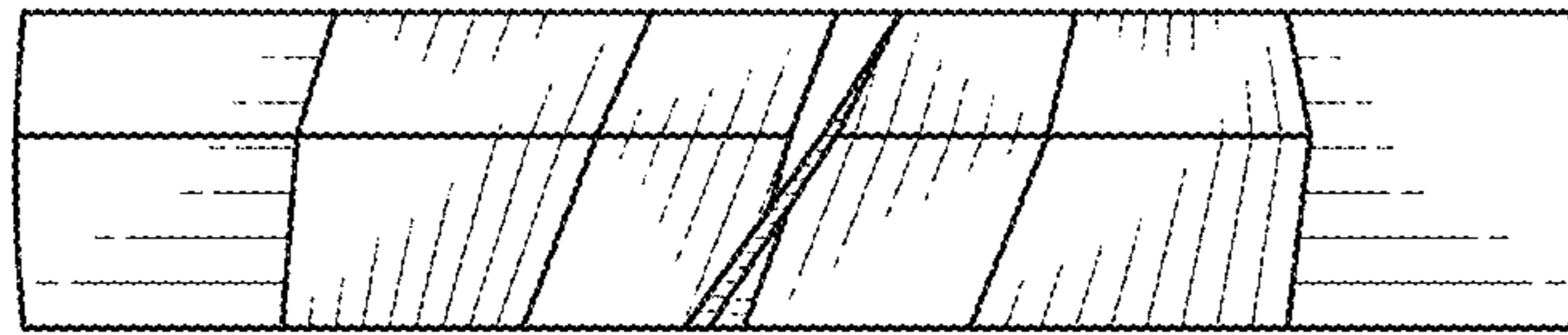


FIG. 5

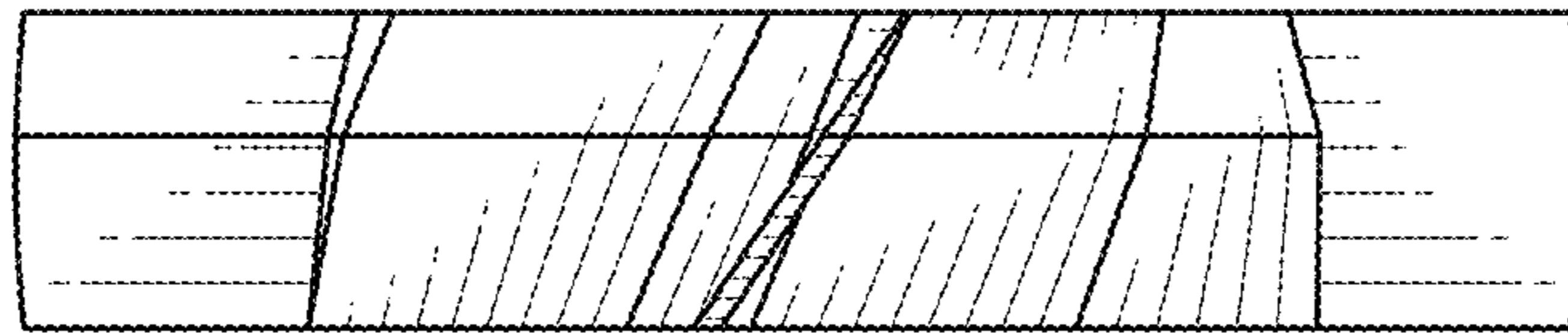


FIG. 6