



US00D823056S

(12) **United States Design Patent**  
**Donaghy**

(10) **Patent No.:** **US D823,056 S**  
(45) **Date of Patent:** **\*\* Jul. 17, 2018**

(54) **VEGETABLE CUTTER BLADE**

(71) Applicant: **Stephen Donaghy**, Dungannon (GB)

(72) Inventor: **Stephen Donaghy**, Dungannon (GB)

(\*\*) Term: **15 Years**

(21) Appl. No.: **29/604,684**

(22) Filed: **May 19, 2017**

(30) **Foreign Application Priority Data**

Nov. 21, 2016 (EM) ..... 003475904-0022

(51) **LOC (11) Cl.** ..... **31-00**

(52) **U.S. Cl.**  
USPC ..... **D7/412; D7/383; D7/384**

(58) **Field of Classification Search**  
USPC ..... D7/372, 376-386, 412-413, 602, 629,  
D7/665-666, 669, 679, 693-694;  
D15/28, 139; D23/379, 411  
CPC ..... A01D 34/005; A21C 1/02; A21C 1/04;  
A23N 1/00; A23N 1/02; A47J 42/04;  
A47J 43/04; A47J 43/25; A47J 43/27;  
A47J 43/042; A47J 43/044; A47J 43/046;  
A47J 43/075; A47J 43/0722; A47J  
43/0727; B01F 3/00; B01F 3/04539;  
B01F 3/0807; B01F 3/0853; B01F  
7/00316; B01F 13/0059; B01F 13/0064;  
B02C 1/08; B02C 2/04; B02C 4/42;  
B02C 4/142; B02C 4/143; B02C 4/423;  
B02C 13/1835; B28C 5/10; B28C 5/12;  
B28C 5/14; B28C 5/16; F04D 29/023  
See application file for complete search history.

(56) **References Cited**

U.S. PATENT DOCUMENTS

3,526,467 A \* 9/1970 Kime ..... B01F 7/00316  
416/200 R

3,797,212 A \* 3/1974 Pursel ..... A01D 34/005  
56/255

D366,935 S \* 2/1996 Arthun ..... D12/214

6,394,430 B1 \* 5/2002 Forschner ..... B01F 3/04539  
261/87

D525,995 S \* 8/2006 Bjork ..... D15/139

7,083,386 B2 \* 8/2006 Horng ..... F04D 29/30  
416/175

D704,323 S \* 5/2014 Rasmussen ..... D23/379

D709,325 S \* 7/2014 Guo ..... D7/376

D713,861 S \* 9/2014 Langlais ..... D15/28

D742,427 S \* 11/2015 Langlais ..... D15/28

D755,363 S \* 5/2016 Rasmussen ..... D23/379

2003/0063975 A1 \* 4/2003 Horng ..... F04D 29/023  
416/183

2009/0166455 A1 \* 7/2009 Pai ..... A47J 42/04  
241/93

\* cited by examiner

*Primary Examiner* — Ricky Pham  
(74) *Attorney, Agent, or Firm* — Gardner, Linn, Burkhardt  
& Ondersma LLP

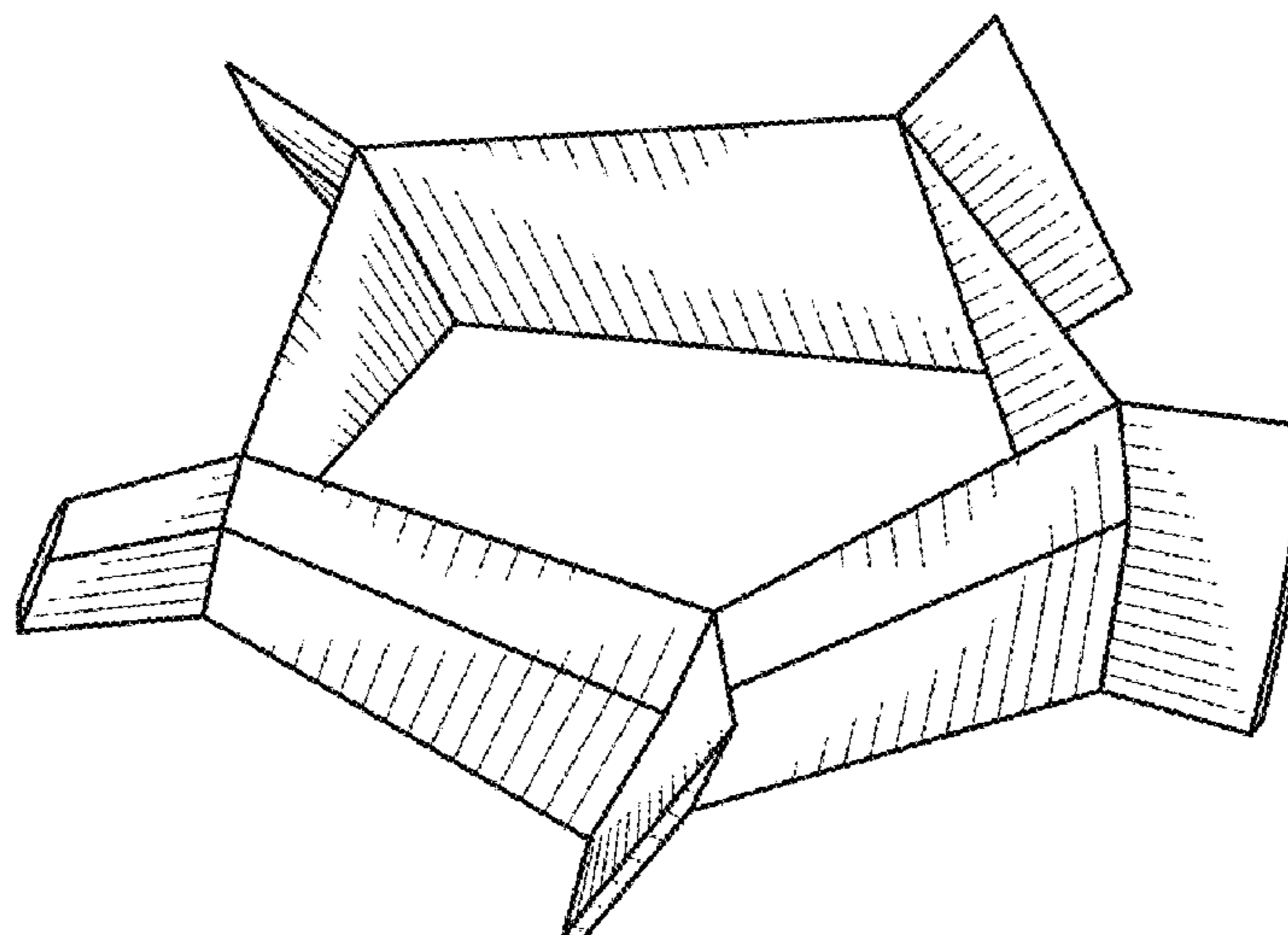
(57) **CLAIM**

The ornamental design for a vegetable cutter blade, as shown and described.

**DESCRIPTION**

FIG. 1 is a perspective view of a vegetable cutter blade showing my new design;  
FIG. 2 is a top plan view thereof;  
FIG. 3 is a bottom plan view thereof;  
FIG. 4 is a front elevation thereof;  
FIG. 5 is a rear elevation thereof; and,  
FIG. 6 is a side elevation thereof.

**1 Claim, 2 Drawing Sheets**



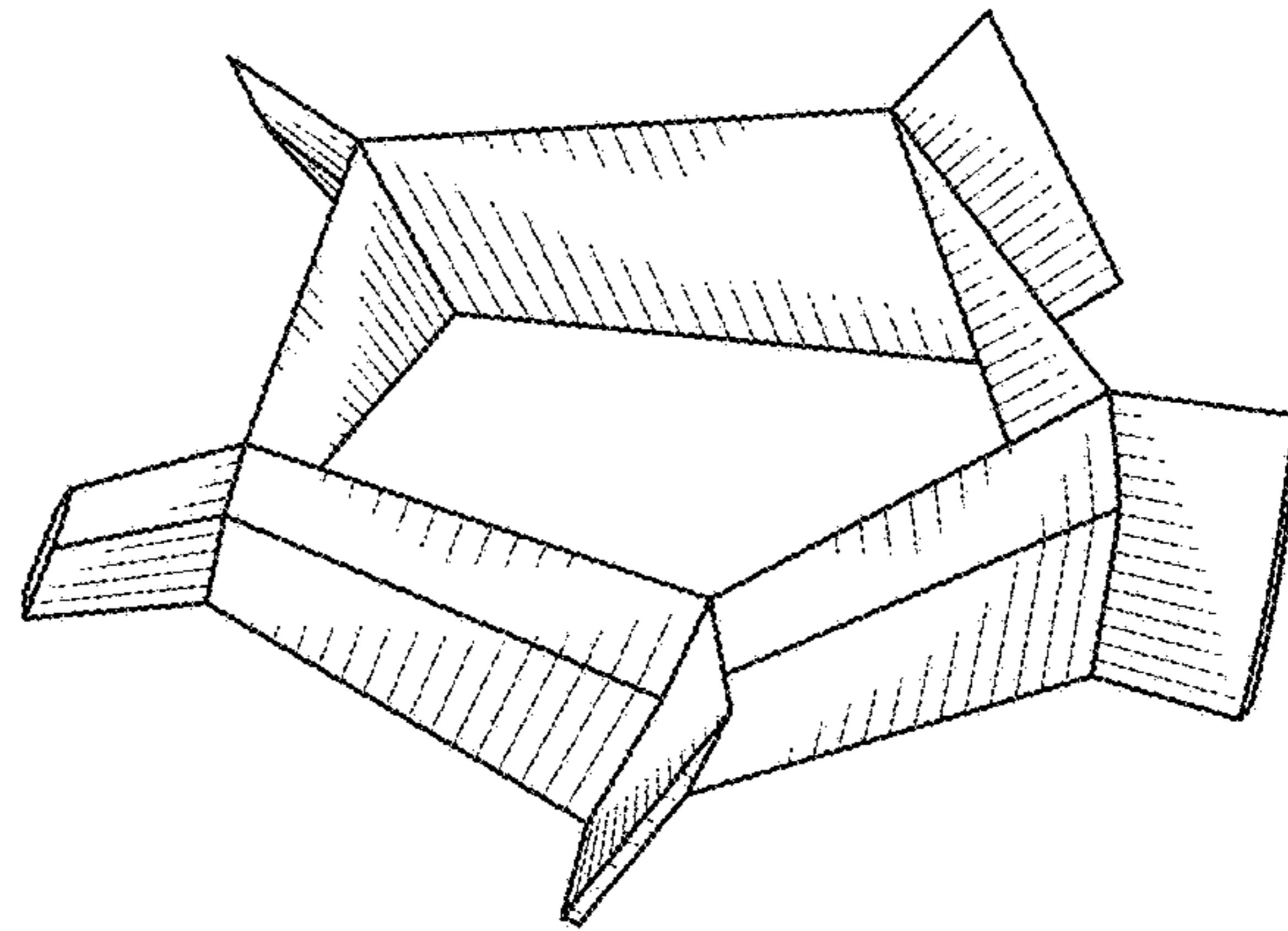


FIG. 1

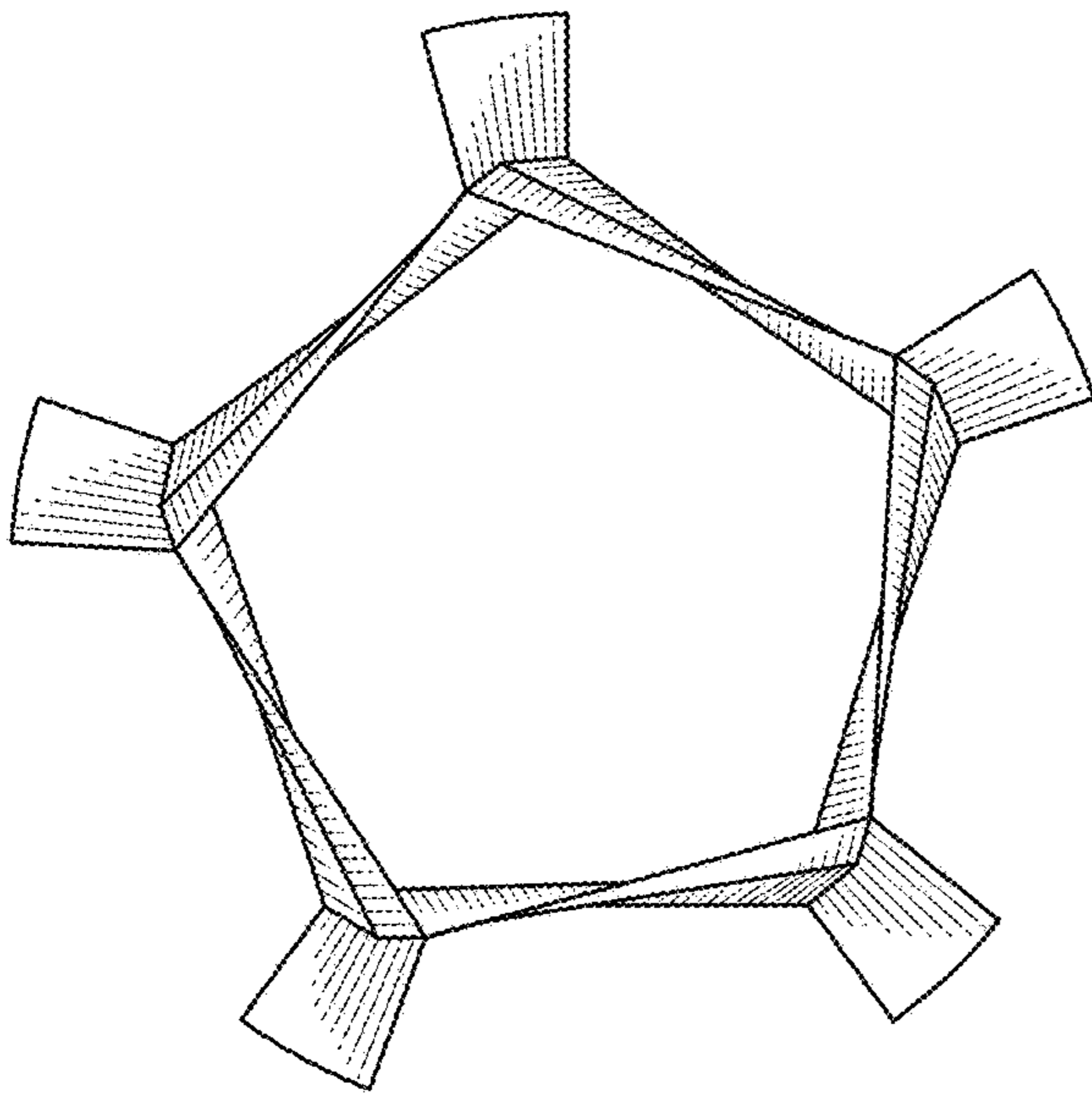


FIG. 2

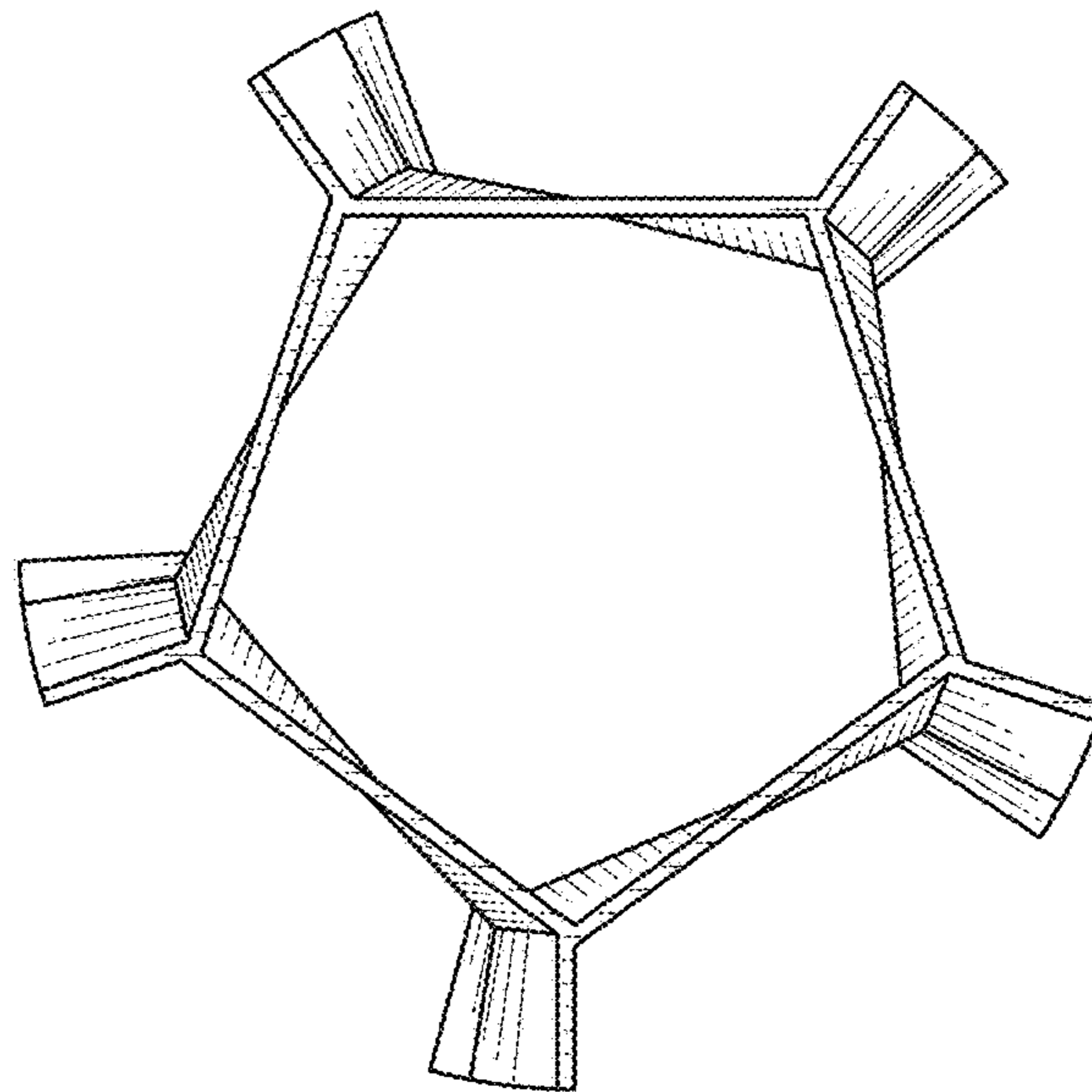


FIG. 3

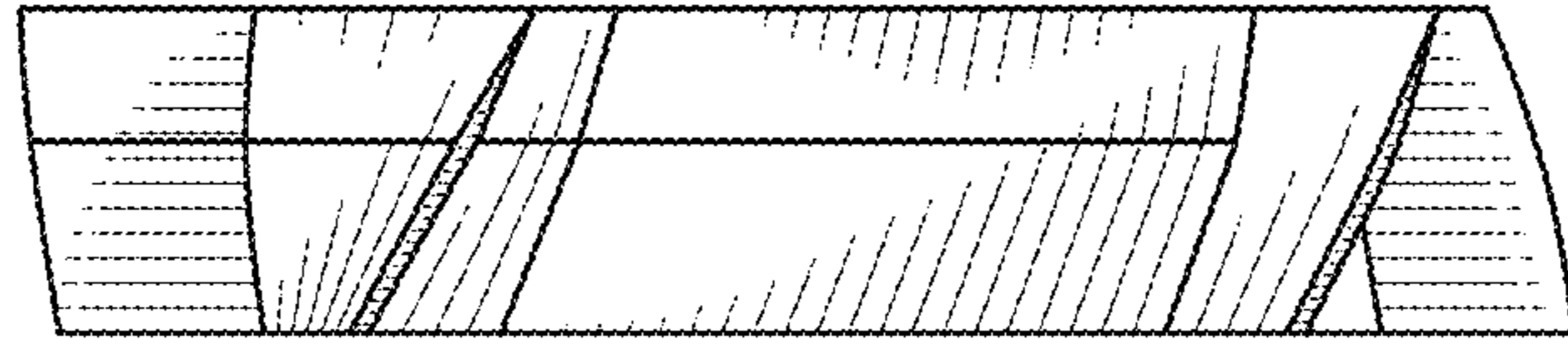


FIG. 4

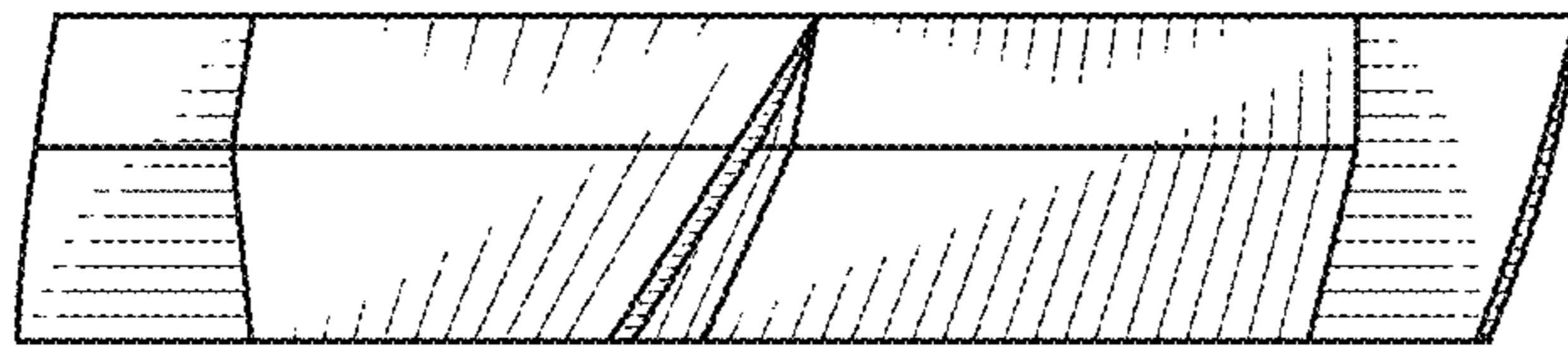


FIG. 5

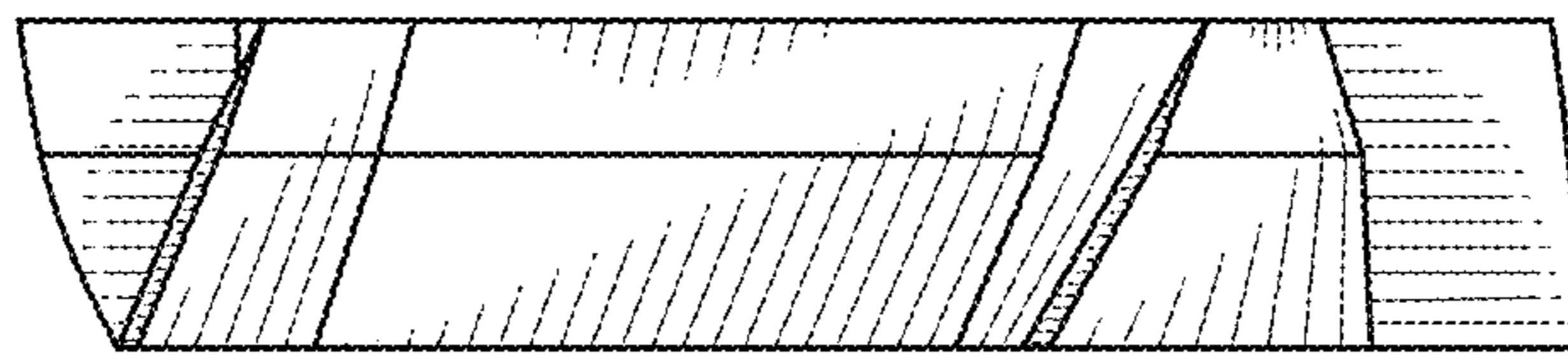


FIG. 6