



US00D823055S

(12) **United States Design Patent**  
**Donaghy**

(10) **Patent No.:** **US D823,055 S**  
(45) **Date of Patent:** **\*\* Jul. 17, 2018**

- (54) **VEGETABLE CUTTER BLADE**
- (71) Applicant: **Stephen Donaghy**, Dungannon (GB)
- (72) Inventor: **Stephen Donaghy**, Dungannon (GB)
- (\*\*) Term: **15 Years**
- (21) Appl. No.: **29/604,682**
- (22) Filed: **May 19, 2017**
- (30) **Foreign Application Priority Data**

D366,935	S	*	2/1996	Arthun	.....	D12/214
6,394,430	B1	*	5/2002	Forschner	.....	B01F 3/04539
						261/87
D525,995	S	*	8/2006	Bjork	.....	D15/139
7,083,386	B2	*	8/2006	Horng	.....	F04D 29/30
						416/175
D704,323	S	*	5/2014	Rasmussen	.....	D23/379
D709,325	S	*	7/2014	Guo	.....	D7/376
D713,861	S	*	9/2014	Langlais	.....	D15/28
D742,427	S	*	11/2015	Langlais	.....	D15/28
D755,363	S	*	5/2016	Rasmussen	.....	D23/379
2003/0063975	A1	*	4/2003	Horng	.....	F04D 29/023
						416/183
2009/0166455	A1	*	7/2009	Pai	.....	A47J 42/04
						241/93

Nov. 21, 2016 (EM) ..... 003475904-0025

- (51) **LOC (11) Cl.** ..... **31-00**
- (52) **U.S. Cl.**  
USPC ..... **D7/412**; D7/383; D7/384
- (58) **Field of Classification Search**  
USPC ..... D7/372, 376-386, 412-413, 602, 629,  
D7/665-666, 669, 679, 693-694;  
D15/28, 139; D23/379, 411  
CPC ..... A01D 34/005; A21C 1/02; A21C 1/04;  
A23N 1/00; A23N 1/02; A47J 42/04;  
A47J 43/04; A47J 43/25; A47J 43/27;  
A47J 43/042; A47J 43/044; A47J 43/046;  
A47J 43/075; A47J 43/0722; A47J  
43/0727; B01F 3/00; B01F 3/04539;  
B01F 3/0807; B01F 3/0853; B01F  
7/00316; B01F 13/0059; B01F 13/0064;  
B02C 1/08; B02C 2/04; B02C 4/42;  
B02C 4/142; B02C 4/143; B02C 4/423;  
B02C 13/1835; B28C 5/10; B28C 5/12;  
B28C 5/14; B28C 5/16; F04D 29/023  
See application file for complete search history.

\* cited by examiner

*Primary Examiner* — Ricky Pham

(74) *Attorney, Agent, or Firm* — Gardner, Linn, Burkhardt & Ondersma LLP

(57) **CLAIM**

The ornamental design for a vegetable cutter blade, as shown and described.

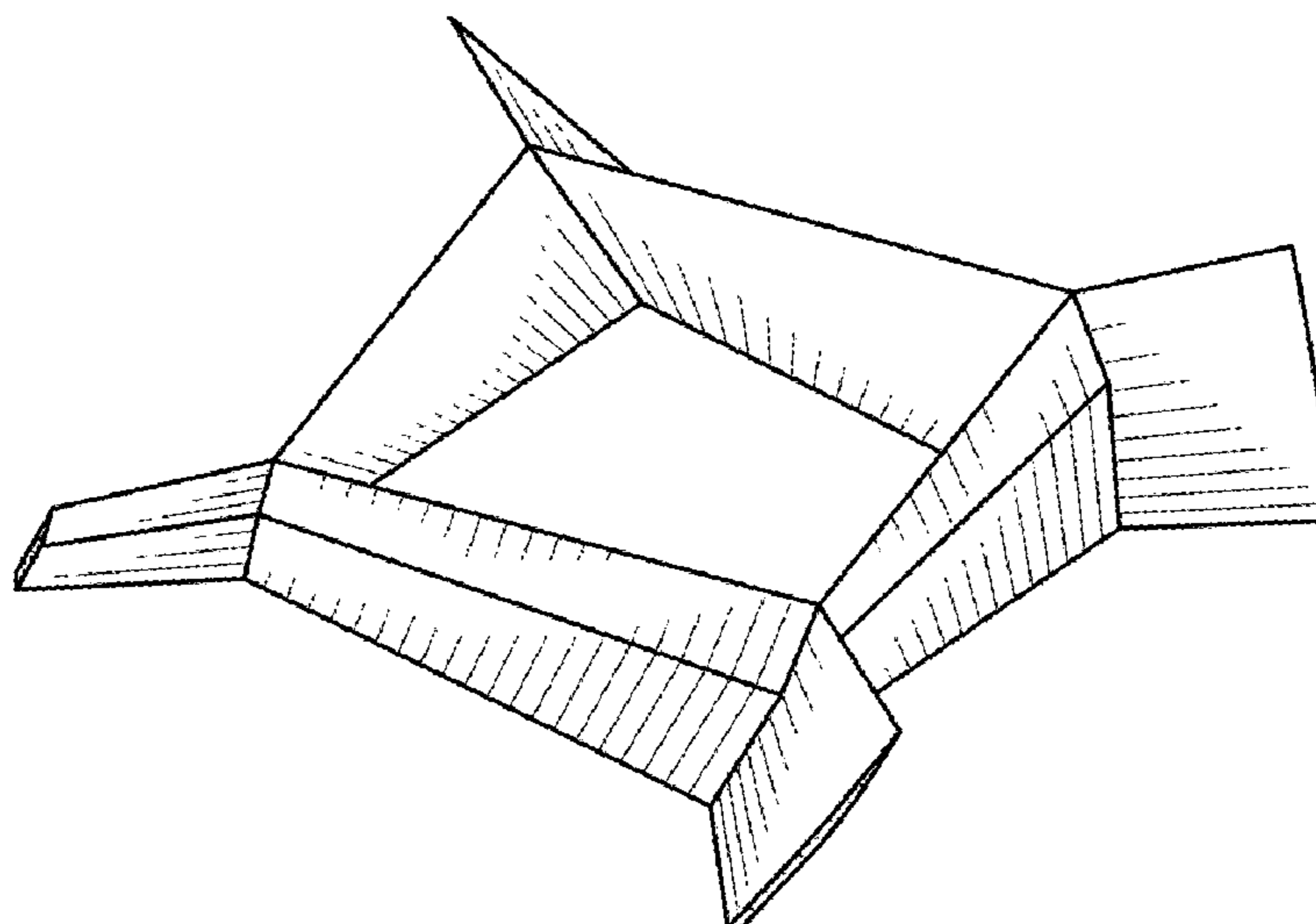
**DESCRIPTION**

FIG. 1 is a perspective view of a vegetable cutter blade showing my new design;  
FIG. 2 is a top plan view thereof;  
FIG. 3 is a bottom plan view thereof;  
FIG. 4 is a front elevation thereof;  
FIG. 5 is a rear elevation thereof; and,  
FIG. 6 is a side elevation thereof; the opposite side being identical.

(56) **References Cited**  
U.S. PATENT DOCUMENTS

3,526,467	A	*	9/1970	Kime	.....	B01F 7/00316
						416/200 R
3,797,212	A	*	3/1974	Pursel	.....	A01D 34/005
						56/255

**1 Claim, 2 Drawing Sheets**



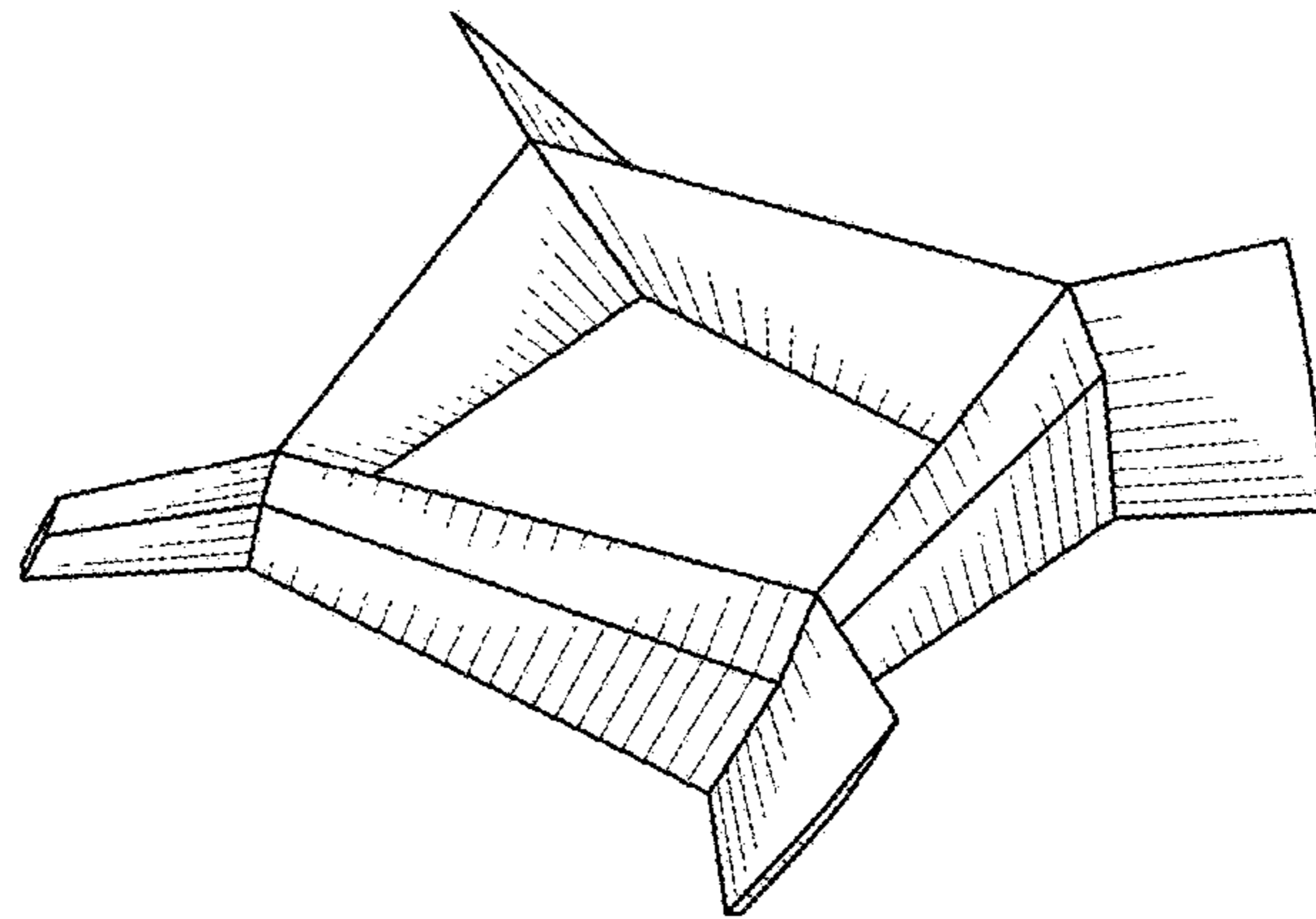


FIG. 1

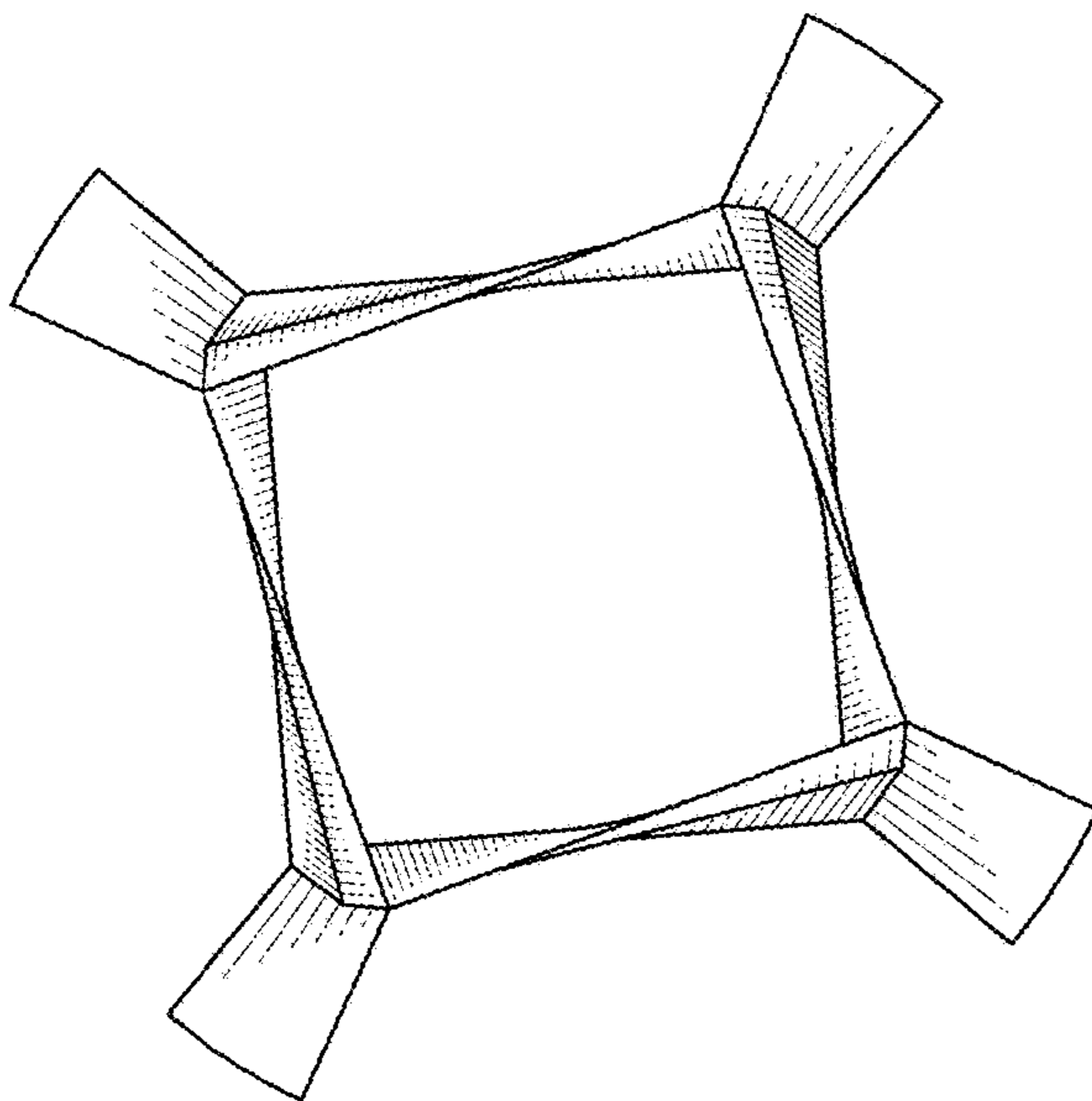


FIG. 2

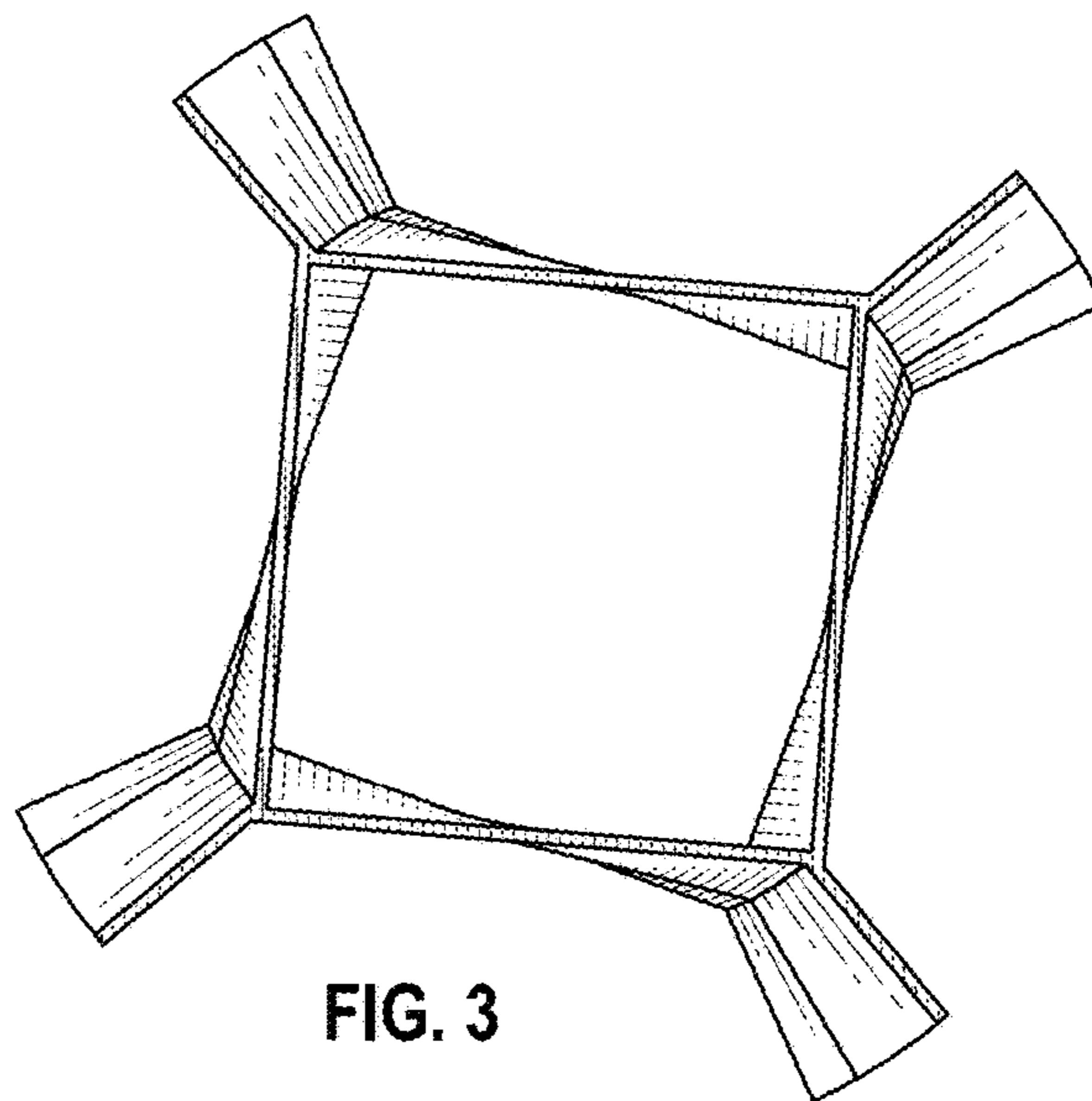


FIG. 3

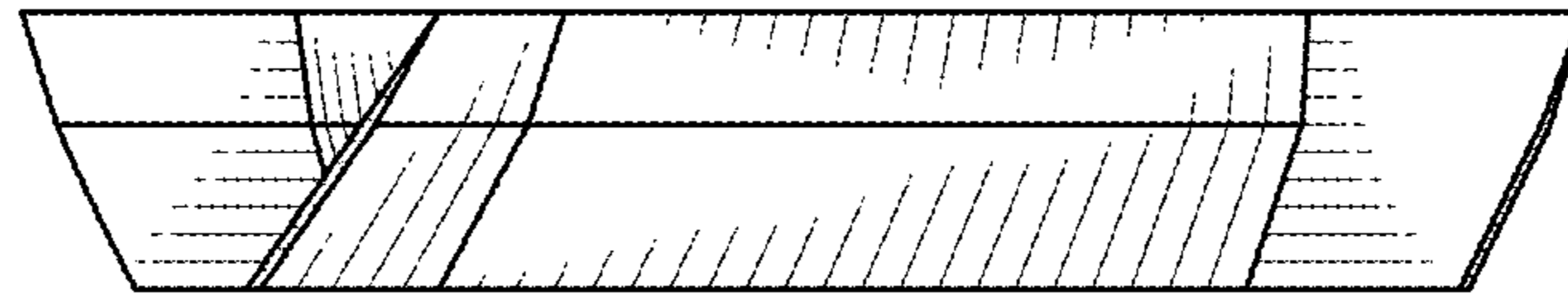


FIG. 4

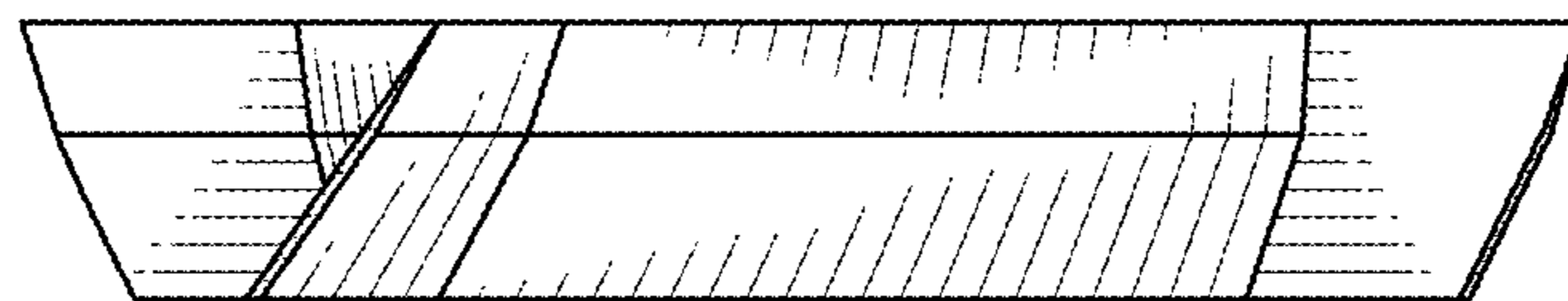


FIG. 5

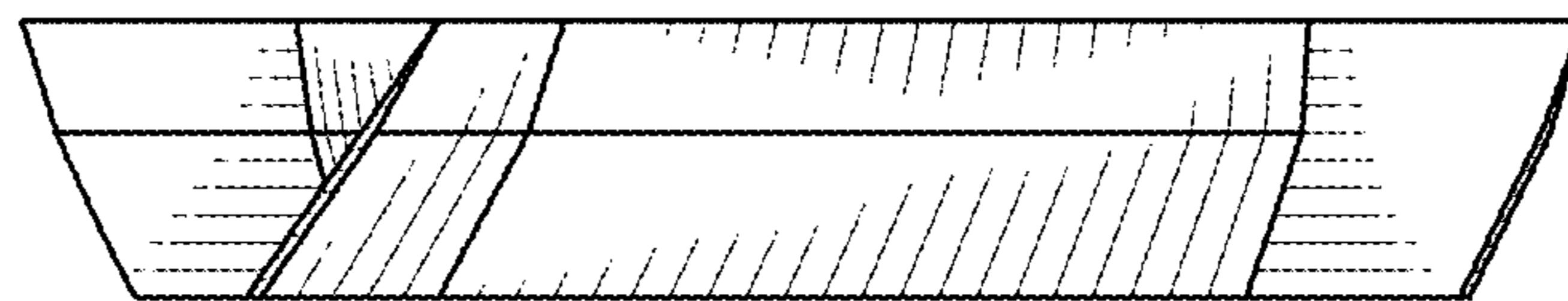


FIG. 6