



US00D823052S

(12) **United States Design Patent**  
**Neace, Jr.**

(10) **Patent No.:** **US D823,052 S**  
(45) **Date of Patent:** **\*\* Jul. 17, 2018**

- (54) **FILTER CAGE OF A COLD BREW COFFEE SYSTEM**
- (71) Applicant: **Bean Logik LLC**, Vancouver, WA (US)
- (72) Inventor: **Robert W. Neace, Jr.**, Vancouver, WA (US)
- (73) Assignee: **BEAN LOGIK LLC**, Vancouver, WA (US)

4,112,830 A	9/1978	Saito
D250,804 S	1/1979	Nilsson
4,143,590 A	3/1979	Kasakoff
4,278,691 A	7/1981	Donarumma et al.
4,374,026 A	2/1983	Greutert
D271,215 S	11/1983	Hinkle
4,443,481 A	4/1984	Donarumma et al.
4,464,982 A	8/1984	Leuschner et al.

(Continued)

(\*\*) Term: **15 Years**

(21) Appl. No.: **29/574,558**

(22) Filed: **Aug. 16, 2016**

**Related U.S. Application Data**

(62) Division of application No. 29/510,200, filed on Nov. 25, 2014, now Pat. No. Des. 766,655.

(51) **LOC (11) Cl.** ..... **07-99**

(52) **U.S. Cl.**  
USPC ..... **D7/400; D7/399**

(58) **Field of Classification Search**

USPC ..... D7/399, 400, 300, 309, 310, 532, 397,  
D7/401, 679, 507; 99/303, 287, 299,  
99/319, 295; 426/425

CPC ..... A47J 31/06; A47J 31/08; A47J 31/005;  
A47J 31/061; B65D 85/8043; B29C  
45/0046

See application file for complete search history.

(56) **References Cited**

**U.S. PATENT DOCUMENTS**

25,909 A	10/1859	Neilson
385,880 A	7/1888	Racer
1,051,701 A	1/1913	Delgado et al.
2,263,610 A	11/1941	Cain et al.
D203,854 S	2/1966	Douglas
D205,678 S	9/1966	Williams
3,336,857 A	8/1967	Knodt et al.

**OTHER PUBLICATIONS**

Buzzillions, Hourglass Coffee (Bean Logik LLC) Hourglass Cold Brew Coffee Maker System, at least as early as Nov. 18, 2014, <http://www.buzzillions.com/reviews/hourglass-coffee-bean-logik-llc-cole-brew-maker-system-reviews>, 4 pages.

(Continued)

*Primary Examiner* — Marianne Pandozzi

(74) *Attorney, Agent, or Firm* — Law Office of Karen Dana Oster, LLC

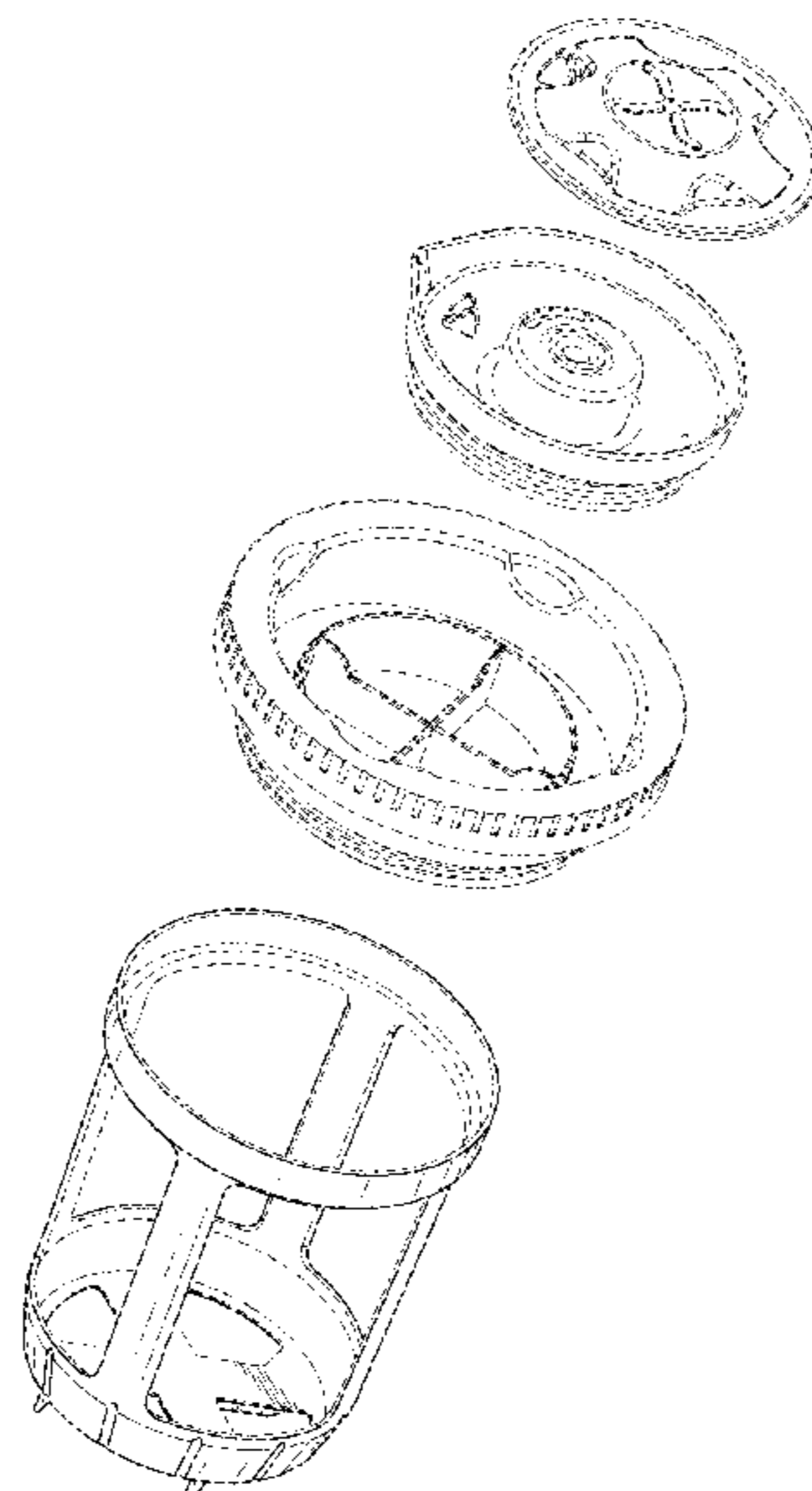
(57) **CLAIM**

The ornamental design for a filter cage of a cold brew coffee system, as shown and described.

**DESCRIPTION**

FIG. 1 is an exploded top perspective view of the filter cage of a cold brew coffee system of my new design; FIG. 2 is an exploded bottom perspective view thereof; FIG. 3 is a top view thereof; FIG. 4 is a bottom view thereof; FIG. 5 is an exploded front view thereof, the rear view being a mirror image thereof; and, FIG. 6 is an exploded side view thereof, the opposite side being a mirror image thereof. The broken lines depict portions of the filter cage of a cold brew coffee system that form no part of the claimed design.

**1 Claim, 5 Drawing Sheets**



(56)

**References Cited**

U.S. PATENT DOCUMENTS

5,104,666 A 4/1992 Sanvitale  
 5,125,327 A \* 6/1992 Winnington-Ingram  
 ..... A47G 19/14  
 99/306  
 D330,992 S \* 11/1992 Kleek ..... D7/399  
 D521,329 S 5/2006 Bodum  
 D557,977 S 12/2007 Neace et al.  
 D598,706 S \* 8/2009 Neace ..... D7/399  
 D606,805 S 12/2009 Neace et al.  
 7,858,133 B2 \* 12/2010 Neace, Jr. .... A47J 31/16  
 210/219  
 7,958,816 B2 6/2011 Lin  
 8,161,868 B2 \* 4/2012 Bolzicco ..... B65D 85/8043  
 210/484  
 D694,579 S \* 12/2013 Khubani ..... D7/400  
 8,720,321 B2 5/2014 Neace, Jr. et al.  
 8,833,235 B2 \* 9/2014 Fabozzi ..... B29C 45/0046  
 206/459.5  
 D717,594 S \* 11/2014 Taketani ..... D7/399

8,906,440 B2 \* 12/2014 Otto ..... A47J 31/0642  
 426/433  
 9,108,794 B2 \* 8/2015 Fu ..... A47J 31/08  
 9,452,879 B2 \* 9/2016 Fu ..... A47J 31/08  
 D788,577 S \* 6/2017 Schaude ..... D9/416  
 D797,502 S \* 9/2017 Robotti ..... D7/400  
 2007/0095214 A1 \* 5/2007 Finney ..... A47J 31/08  
 99/323  
 2008/0110941 A1 \* 5/2008 Foster ..... B05B 11/0029  
 222/507  
 2013/0017303 A1 \* 1/2013 Vu ..... B65D 85/8043  
 426/433  
 2015/0250347 A1 \* 9/2015 Fu ..... A47J 31/08  
 99/295

OTHER PUBLICATIONS

The Wall Street Journal, Why Making Iced Coffee at Home is Such a Grind, at least as early as Nov. 18, 2014, <http://online.wsj.com/articles/SB10001424052748704164904575421292174210822>, 4 pages.

\* cited by examiner

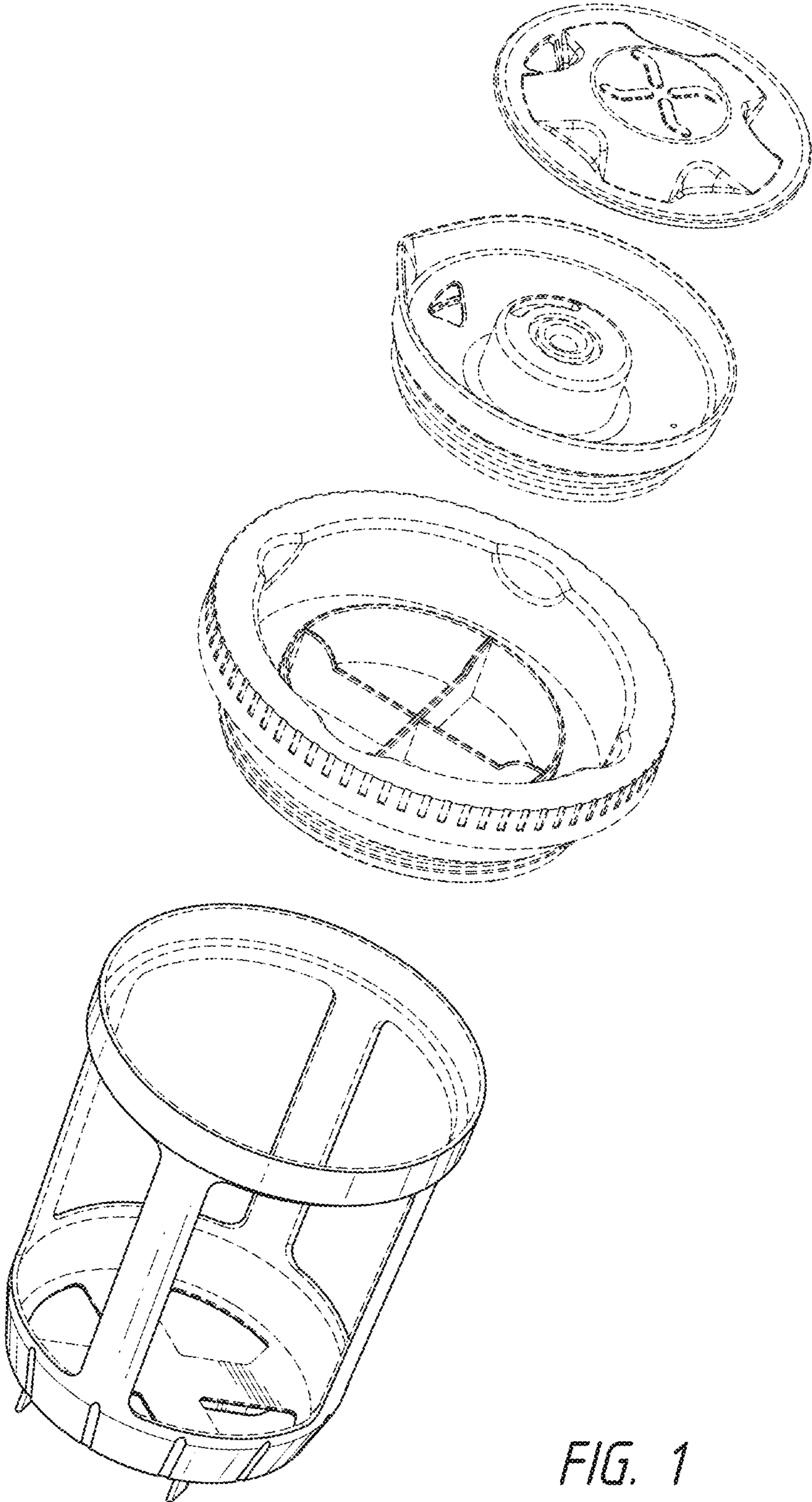


FIG. 1

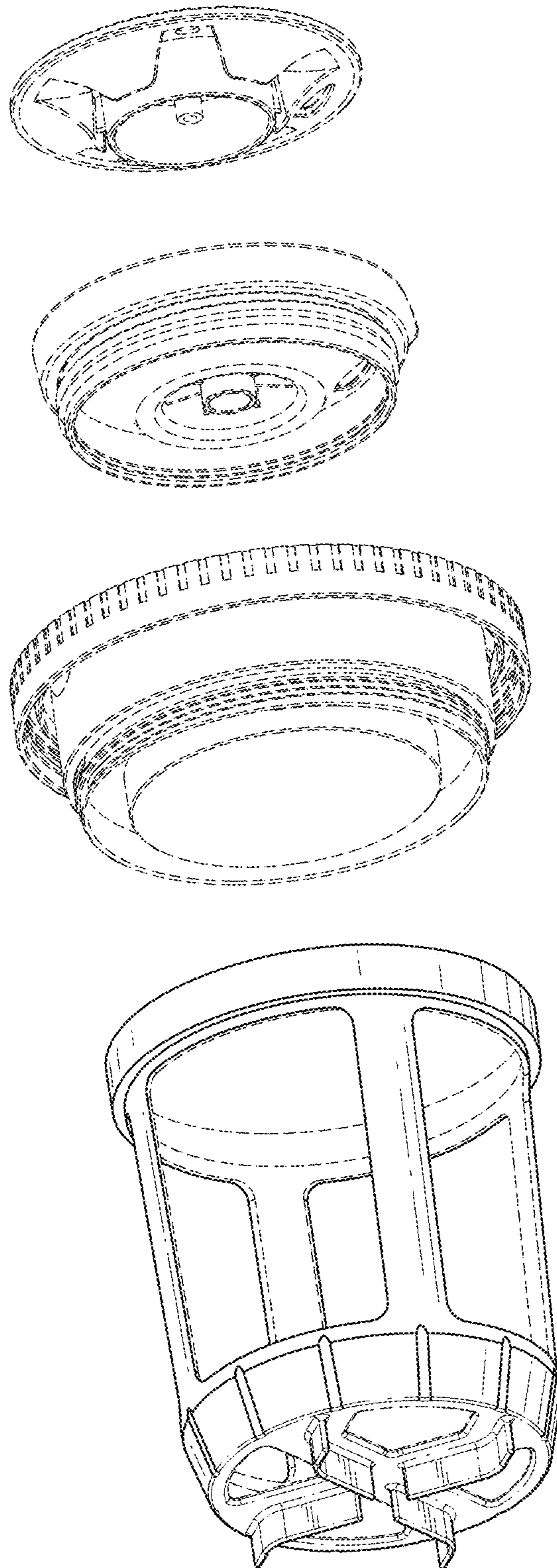
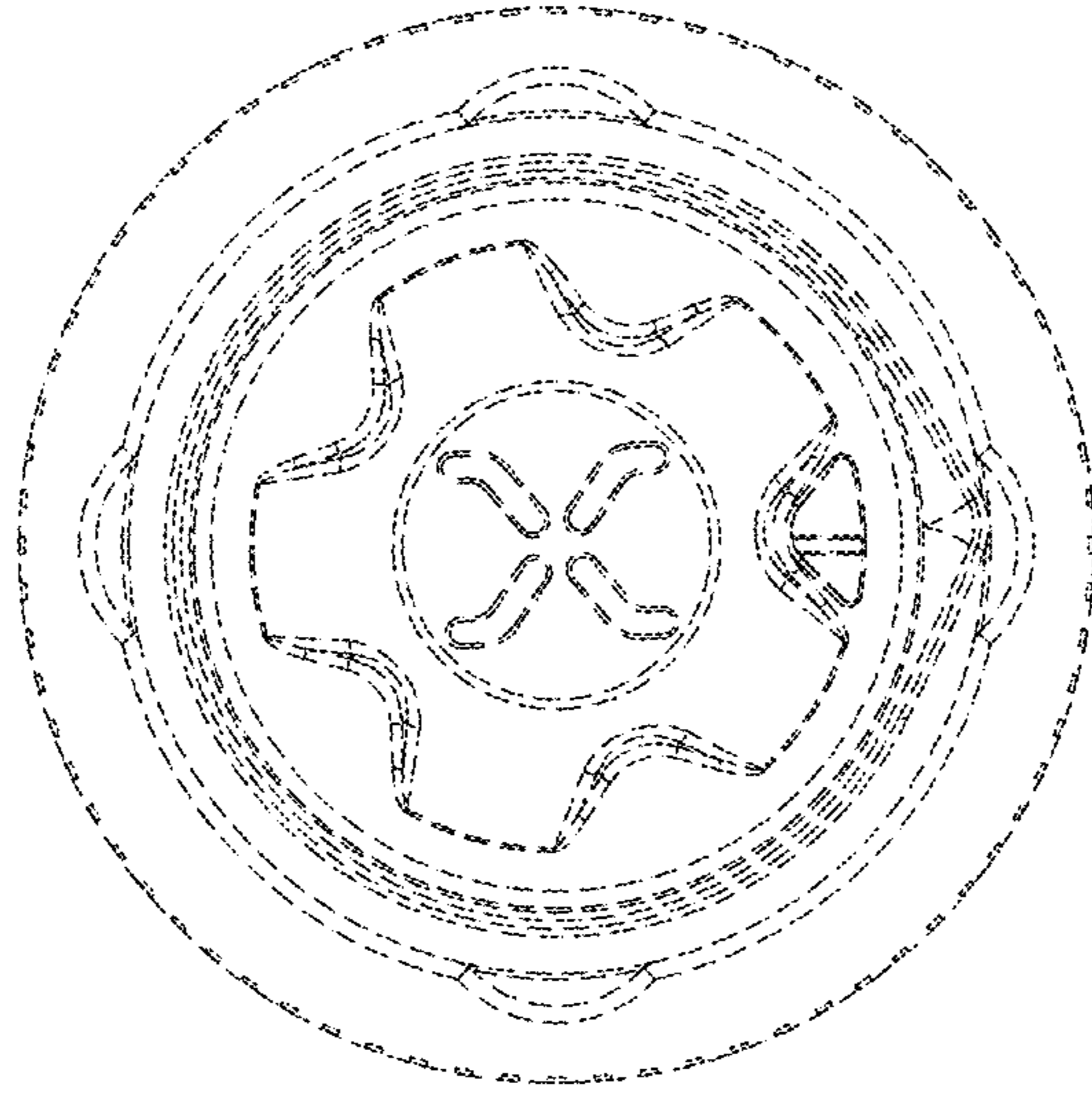
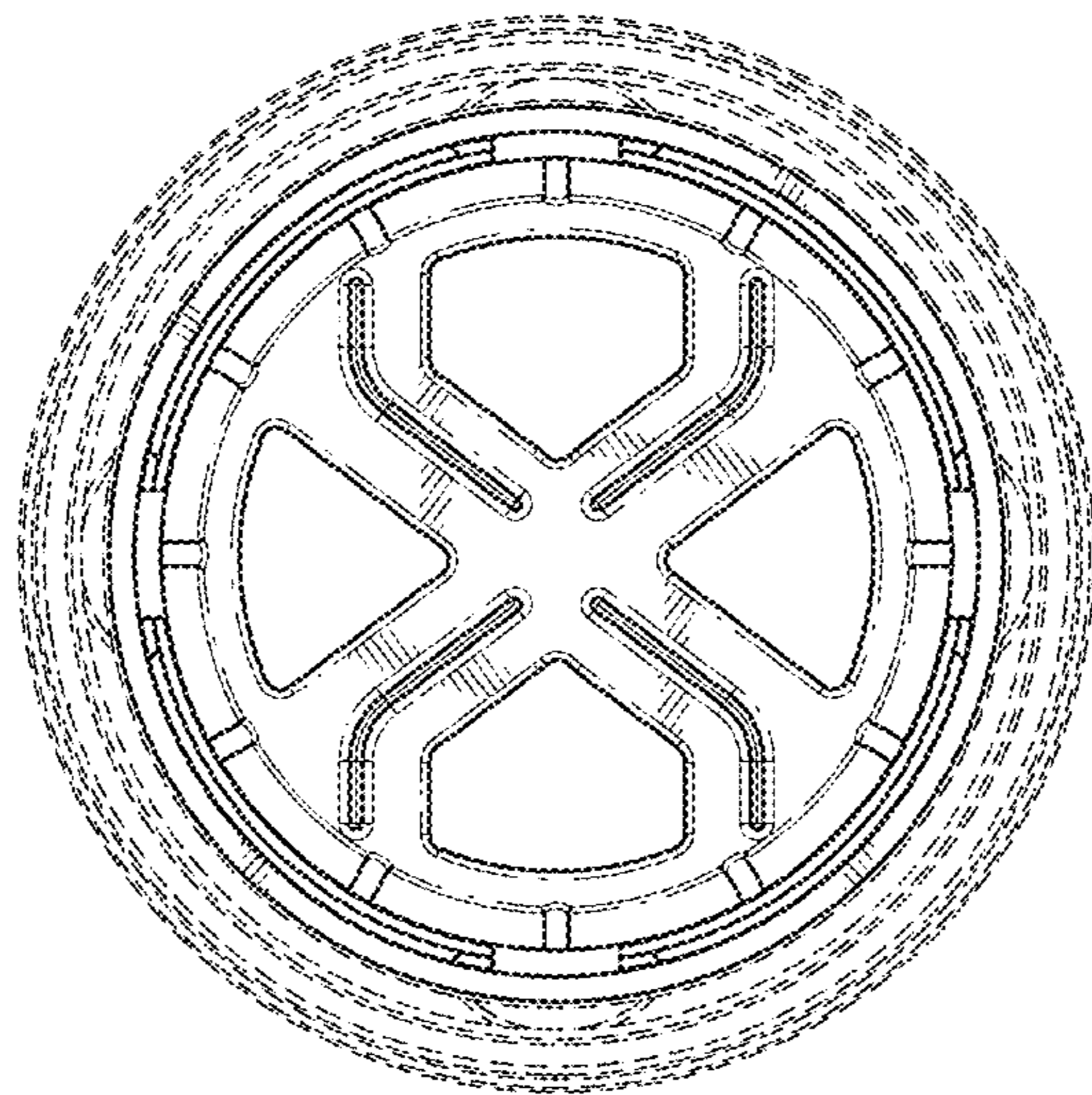


FIG. 2



*FIG. 3*



*FIG. 4*

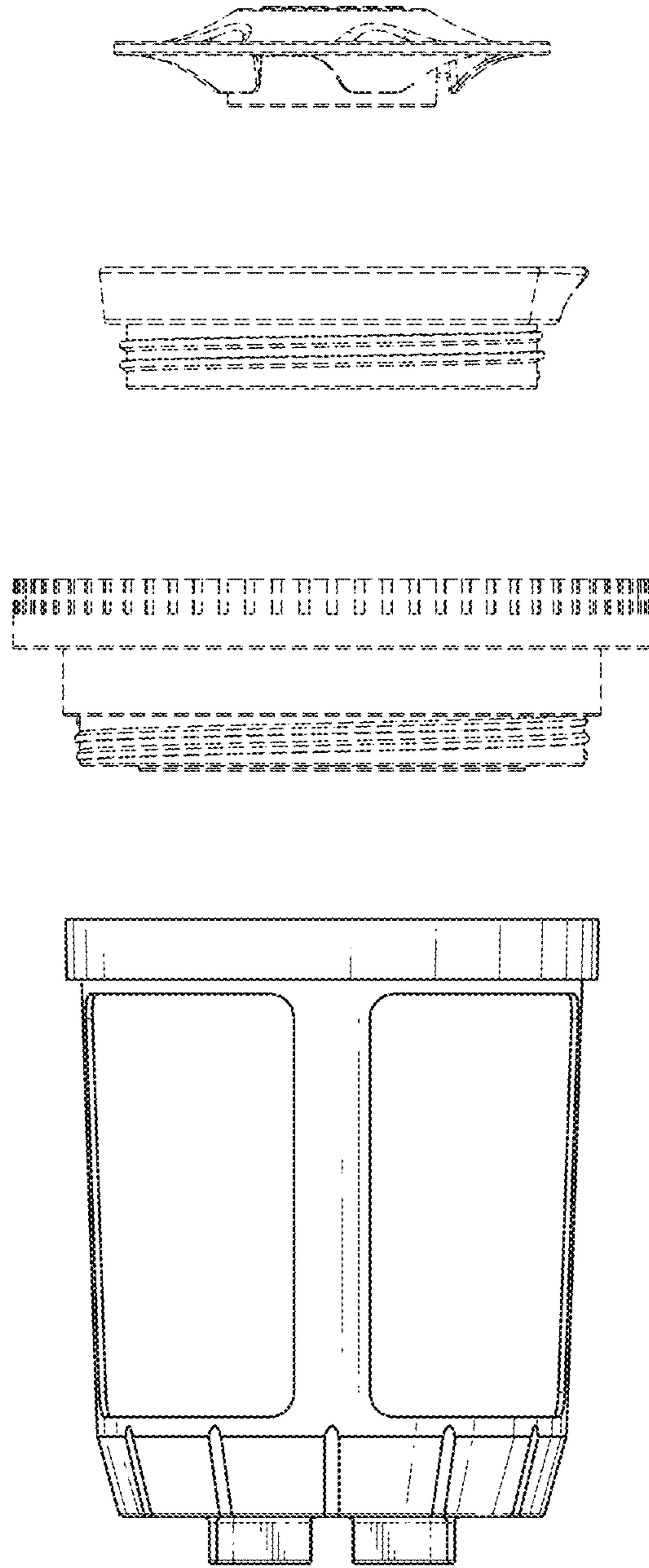


FIG. 5

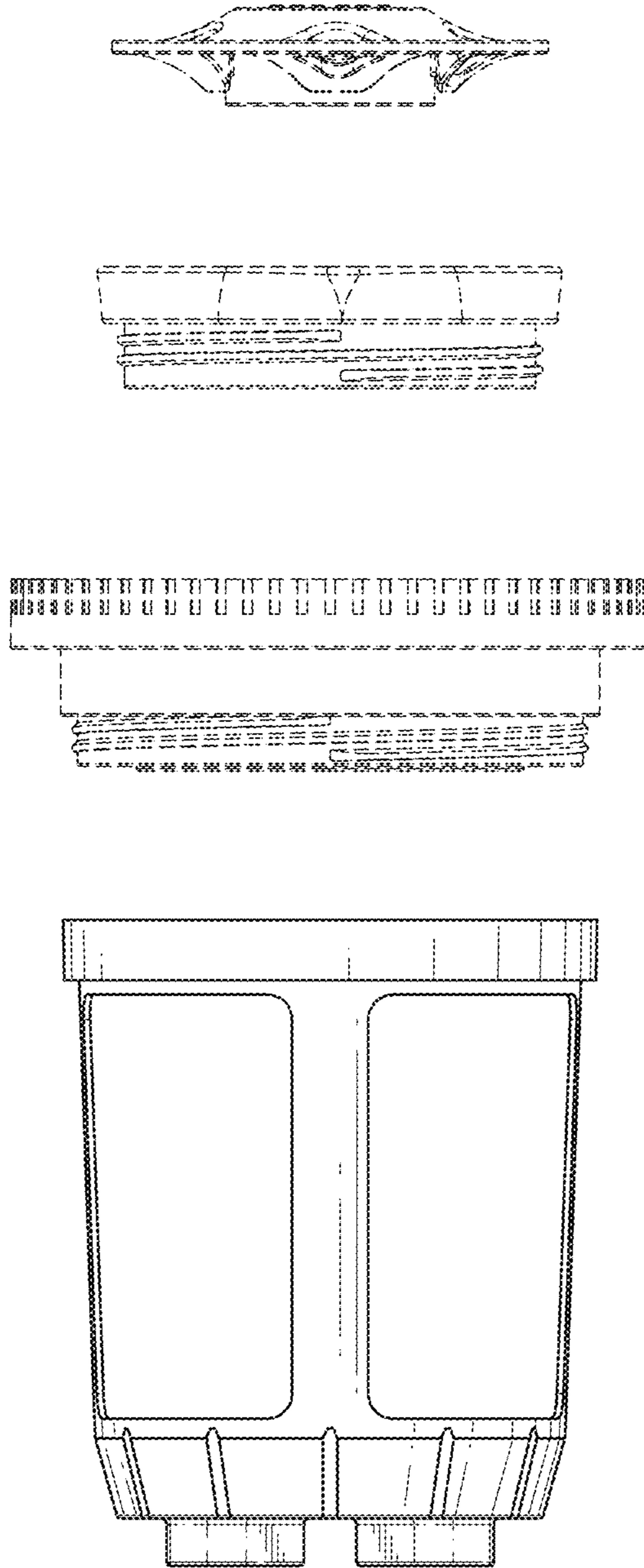


FIG. 6