

US00D823051S

(12) **United States Design Patent**  
**Sharma**

(10) **Patent No.:** **US D823,051 S**

(45) **Date of Patent:** **\*\* Jul. 17, 2018**

(54) **POD**

(71) Applicant: **Shankar Sharma**, Dubai (UA)

(72) Inventor: **Shankar Sharma**, Dubai (UA)

(\*\*) Term: **15 Years**

(21) Appl. No.: **29/573,308**

(22) Filed: **Aug. 4, 2016**

(51) **LOC (11) Cl.** ..... **07-99**

(52) **U.S. Cl.**  
USPC ..... **D7/400; D7/399; D7/397**

(58) **Field of Classification Search**  
USPC ..... D7/400, 399, 397, 700, 369, 667;  
99/289 D, 323; D9/429, 416, 503, 428,  
D9/520  
CPC ..... A47J 31/02; A47G 19/00; B65D 85/808  
See application file for complete search history.

(56) **References Cited**

**U.S. PATENT DOCUMENTS**

- 3,527,020 A \* 9/1970 Mancini ..... B65B 7/16  
53/282
- D548,586 S \* 8/2007 Waples ..... D9/416
- D606,363 S \* 12/2009 Aardenburg ..... D7/400
- D647,398 S \* 10/2011 Winkler ..... D9/417
- D651,096 S \* 12/2011 Nakagiri ..... D7/400
- D658,493 S \* 5/2012 Cometto ..... D9/503
- D698,237 S \* 1/2014 De Pra ..... D9/425
- D698,649 S \* 2/2014 Quint ..... D7/400
- D700,839 S \* 3/2014 O'Brien ..... D9/429
- D715,649 S \* 10/2014 O'Brien ..... D9/500
- D743,252 S \* 11/2015 Hansen ..... B65D 85/8043  
D9/429
- D747,139 S \* 1/2016 Rondelli ..... D7/400

- D747,187 S \* 1/2016 Cochran ..... D9/416
- D753,954 S \* 4/2016 Schreiber ..... D7/400
- D757,537 S \* 5/2016 Trombetta ..... D9/428
- D770,286 S \* 11/2016 Trombetta ..... D9/503
- D775,957 S \* 1/2017 Hunt ..... D7/629
- D778,157 S \* 2/2017 Trombetta ..... D9/438
- 2005/0266122 A1 \* 12/2005 Franceschi ..... B65D 81/3216  
426/77
- 2010/0224646 A1 \* 9/2010 Incorvia ..... B29C 45/0081  
220/839
- 2011/0183048 A1 \* 7/2011 Noble ..... A23F 5/32  
426/122
- 2014/0161936 A1 \* 6/2014 Trombetta ..... B65D 85/816  
426/77
- 2014/0377413 A1 \* 12/2014 Liu ..... B65D 85/8043  
426/115

\* cited by examiner

*Primary Examiner* — Marianne Pandozzi  
(74) *Attorney, Agent, or Firm* — Scarinci Hollenbeck  
LLC

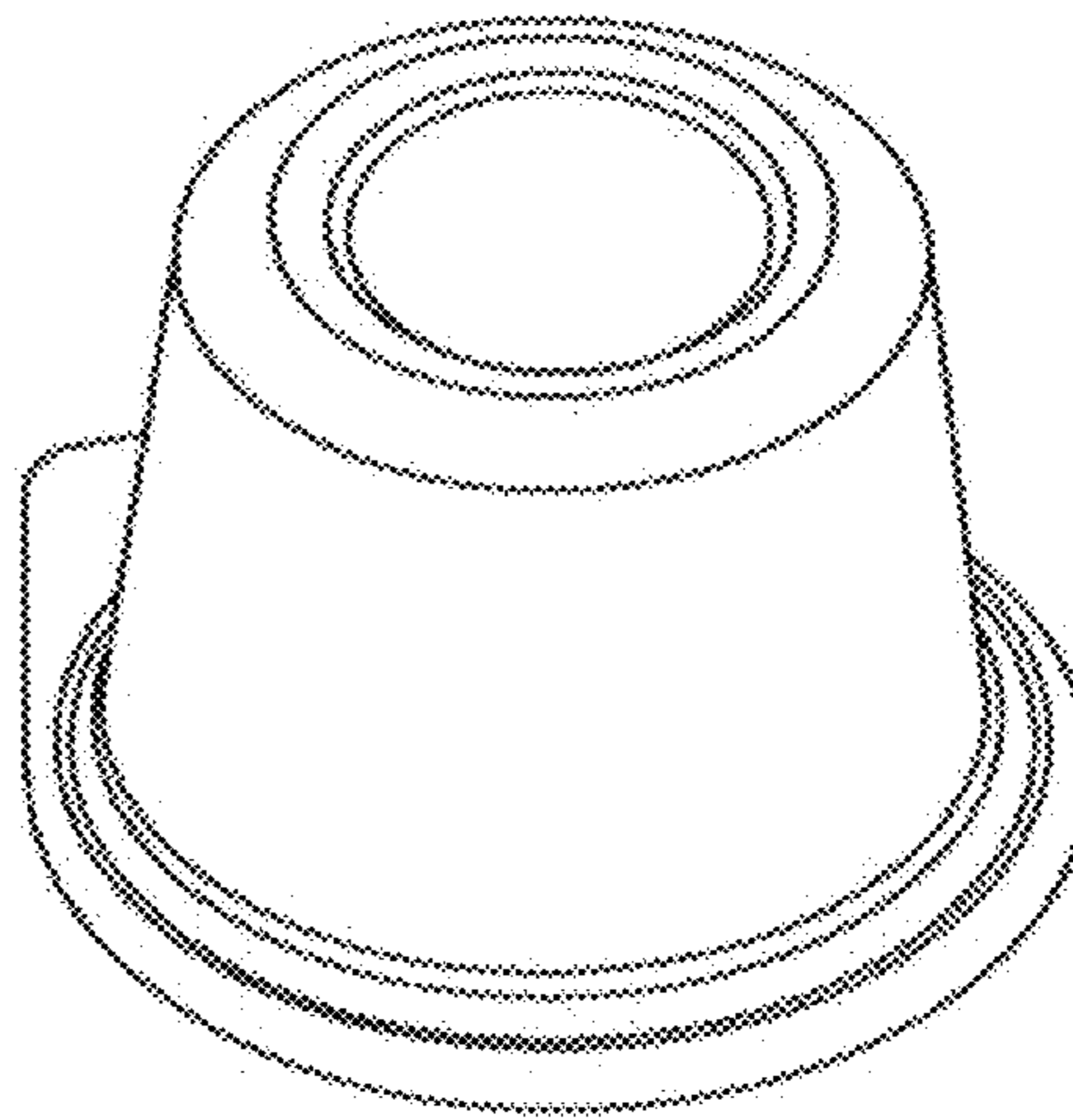
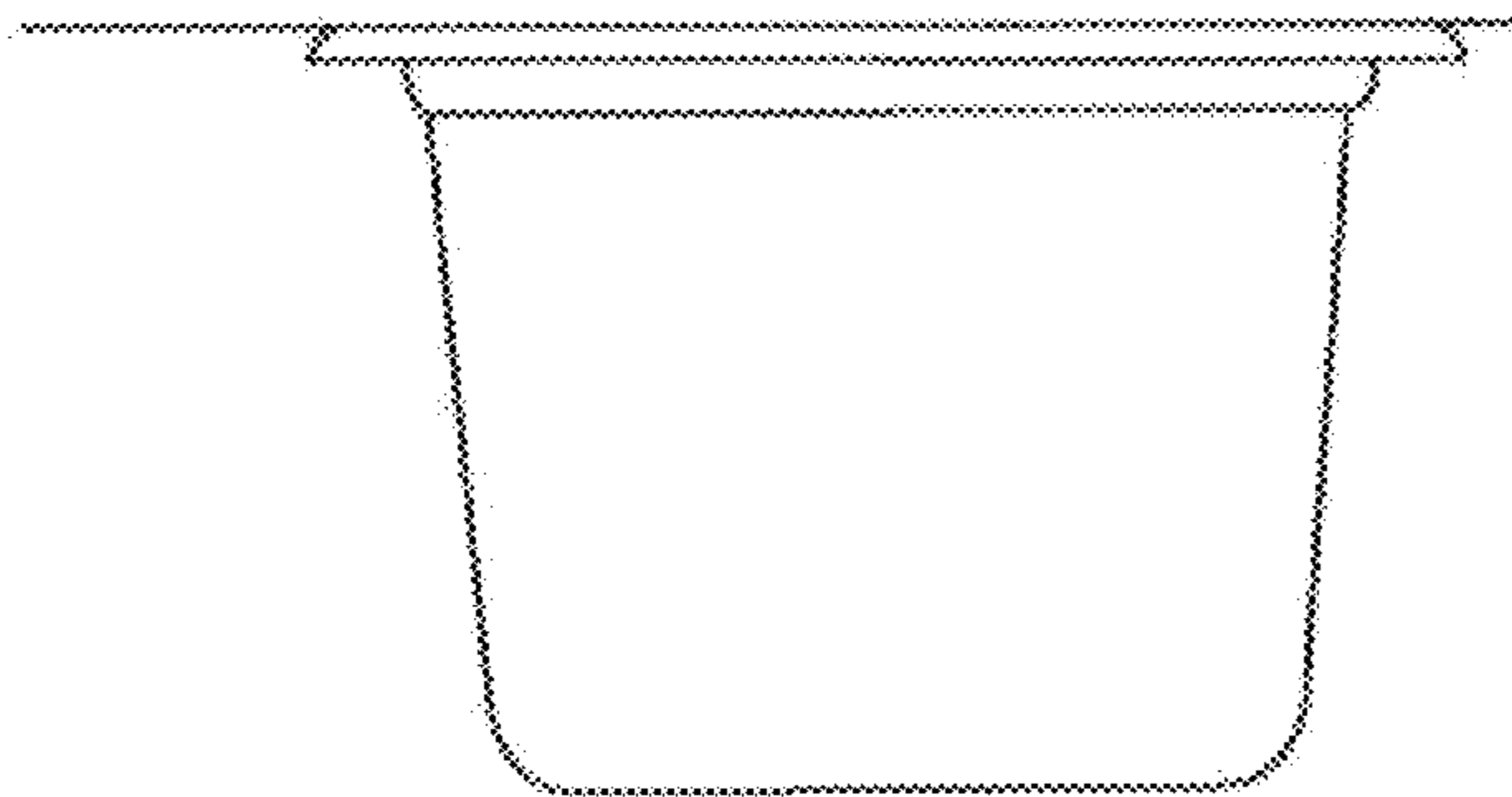
(57) **CLAIM**

The ornamental design for a pod, as shown.

**DESCRIPTION**

FIG. 1 is a top perspective view of a pod showing my new design.  
FIG. 2 is a top view;  
FIG. 3 is a bottom view;  
FIG. 4 is a front view;  
FIG. 5 is a left side view; and,  
FIG. 6 is a bottom perspective view.

**1 Claim, 4 Drawing Sheets**



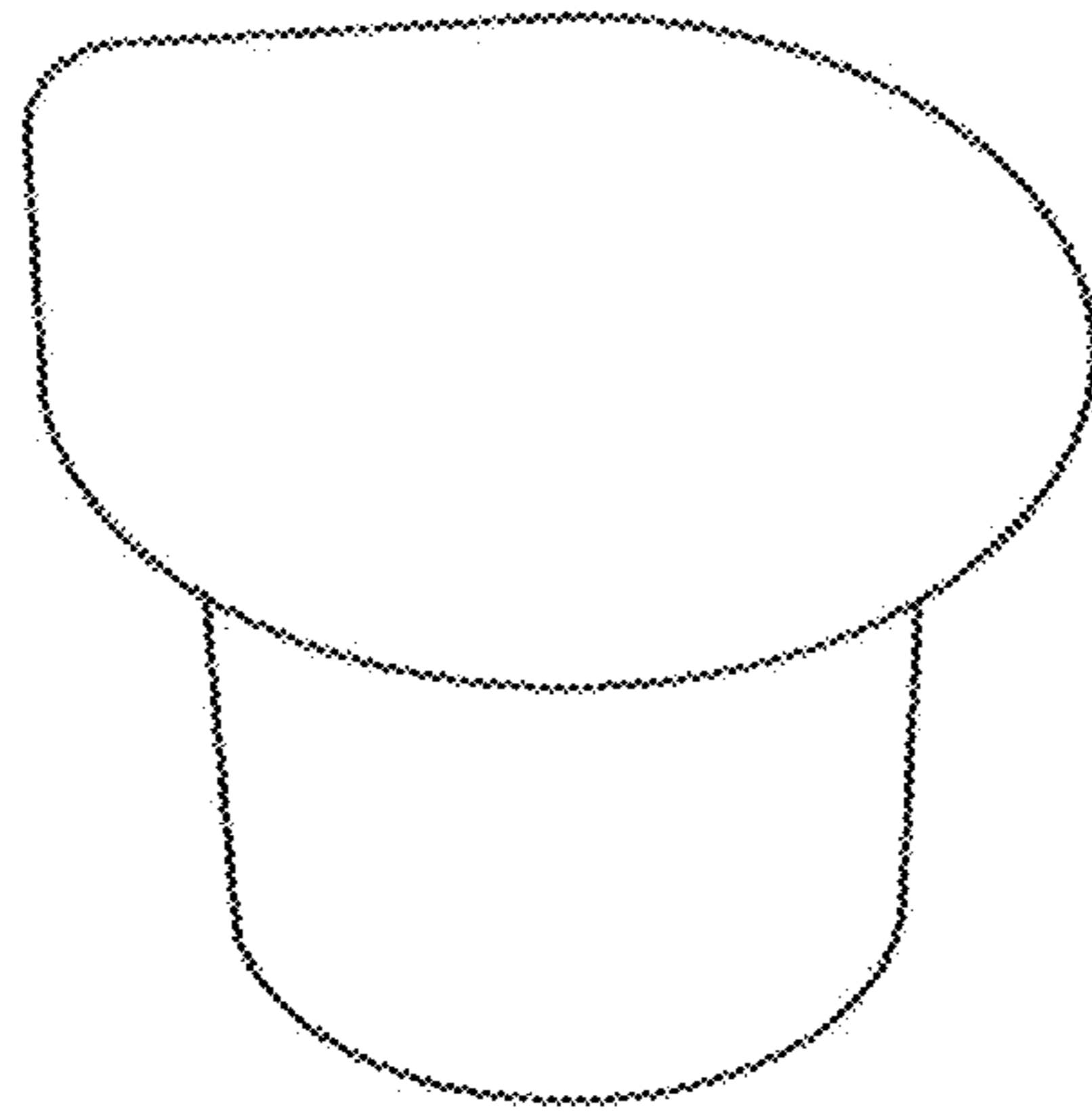


FIG. 1

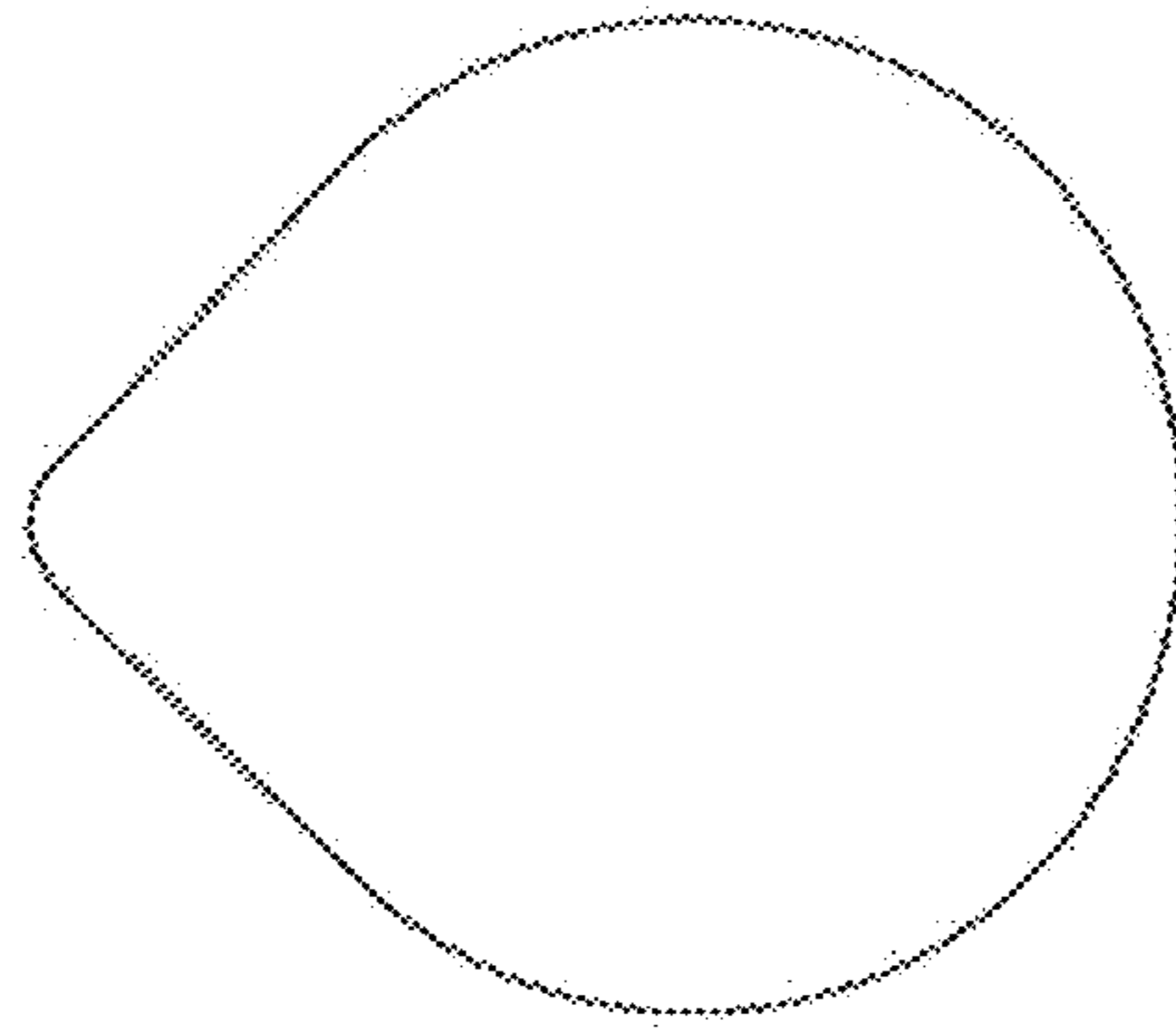


FIG. 2

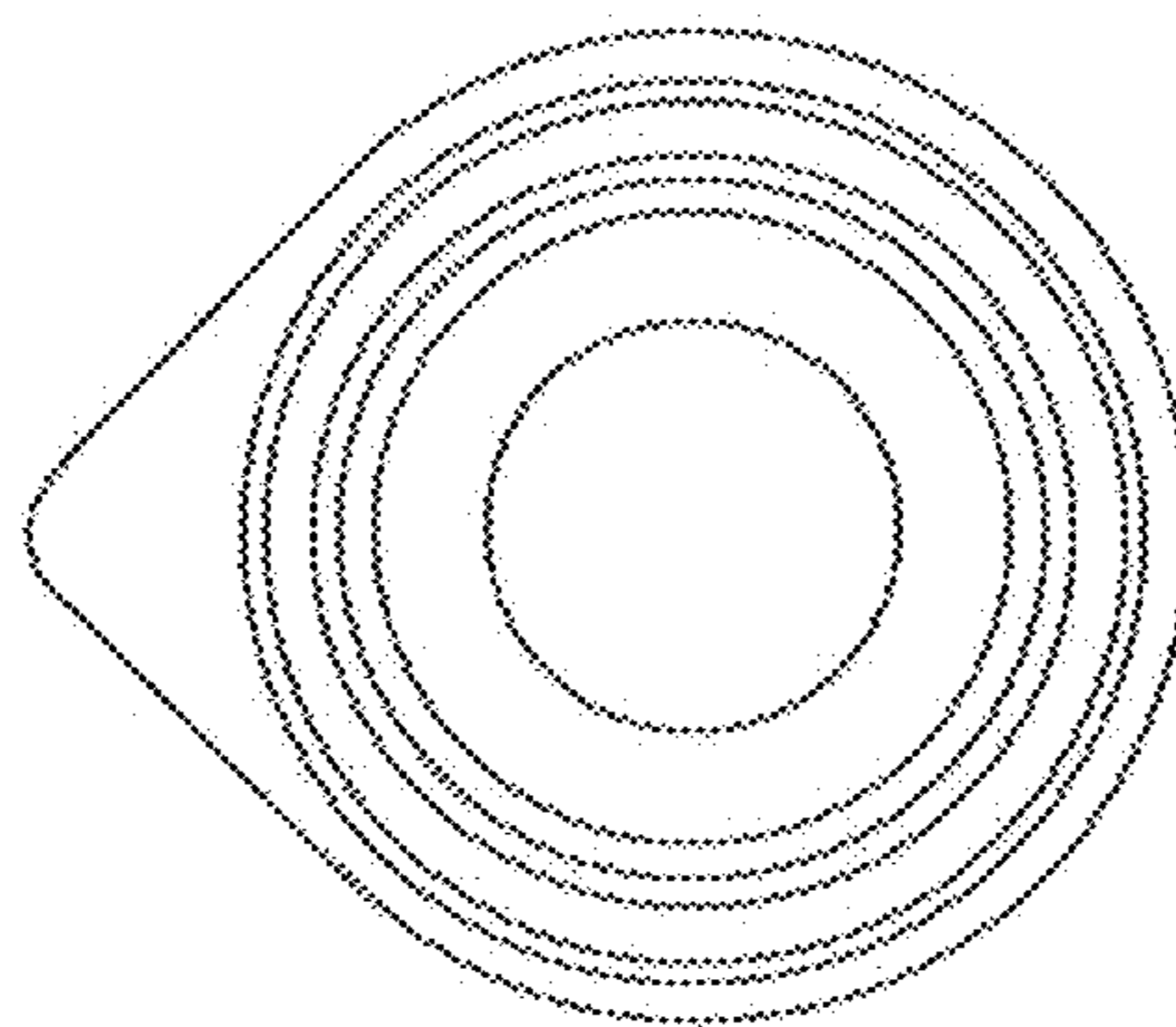


FIG. 3

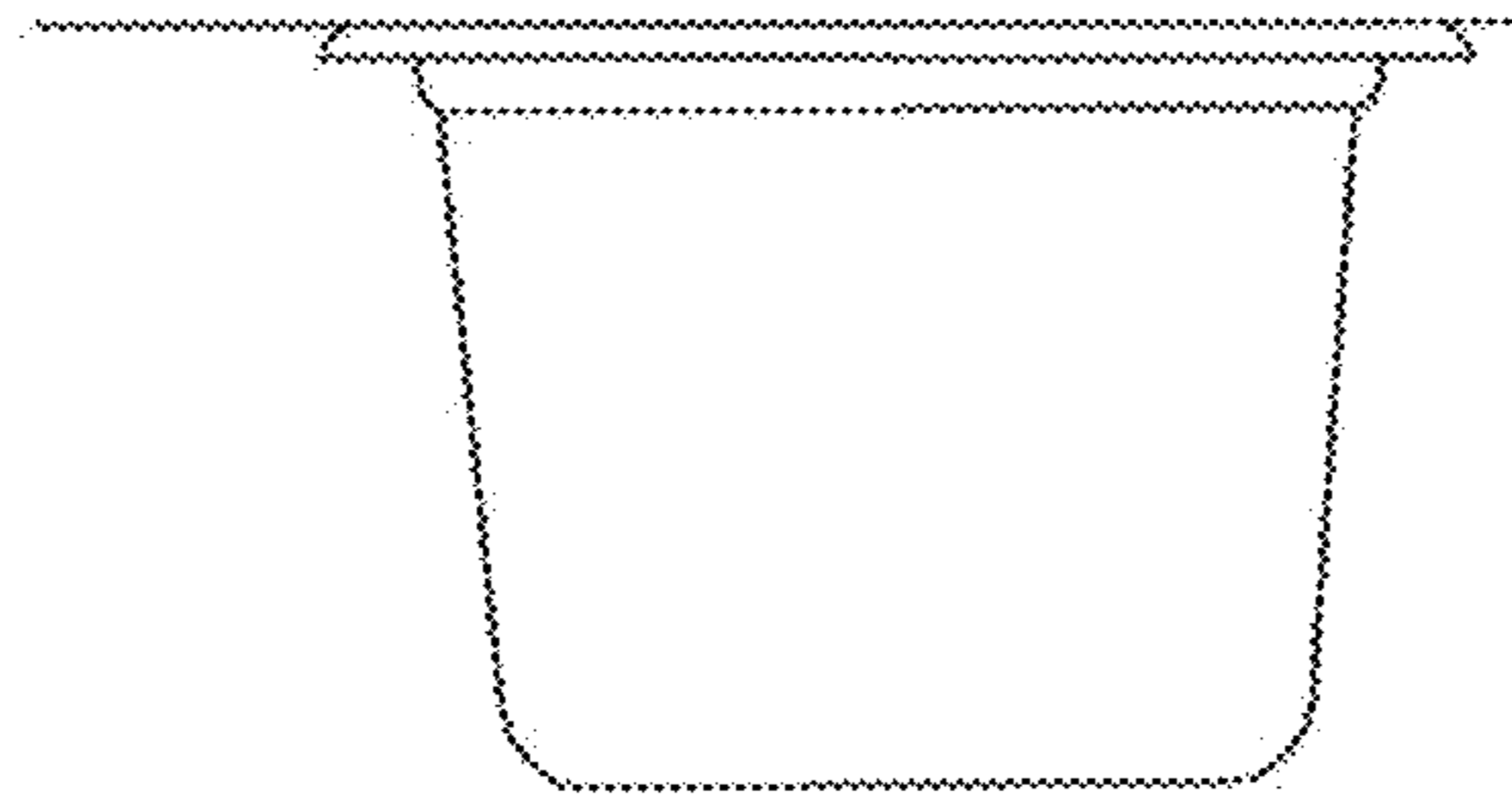


FIG. 4

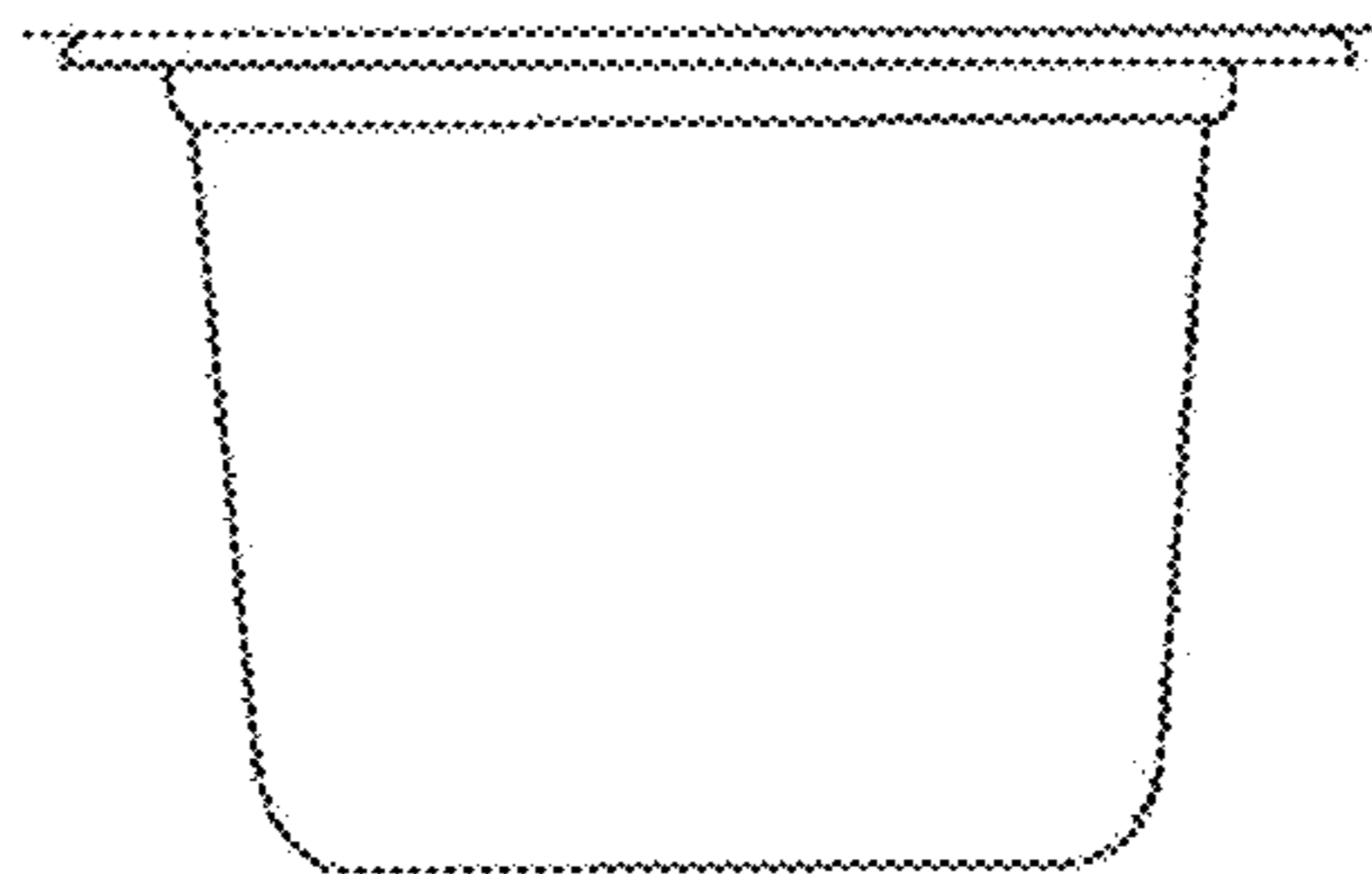


FIG. 5

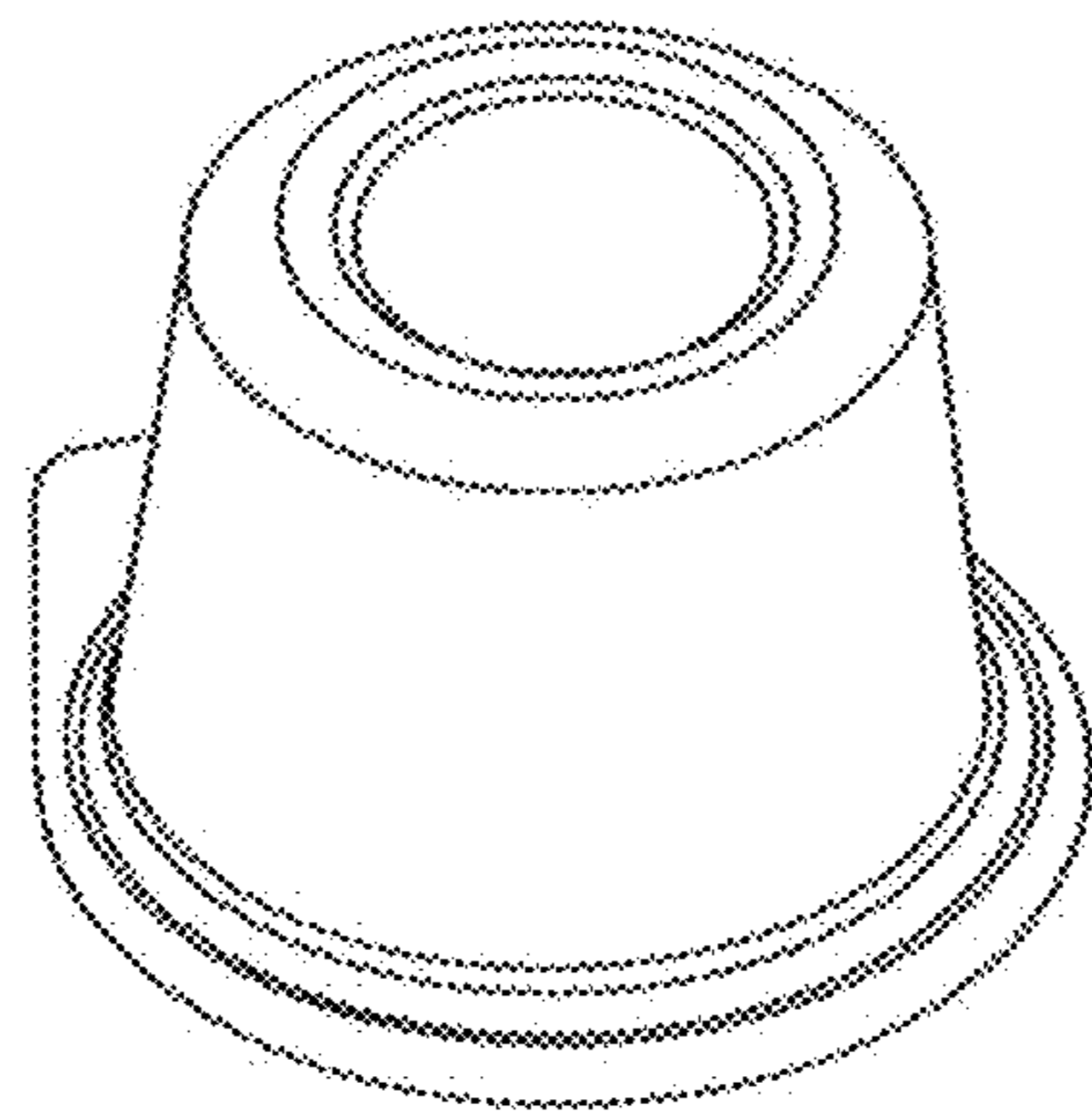


FIG. 6