



US00D823050S

(12) **United States Design Patent** (10) **Patent No.:** **US D823,050 S**  
**Neace, Jr.** (45) **Date of Patent:** **\*\* Jul. 17, 2018**

- (54) **COLD BREW COFFEE SYSTEM**
- (71) Applicant: **Bean Logik LLC**, Vancouver, WA (US)
- (72) Inventor: **Robert W. Neace, Jr.**, Vancouver, WA (US)
- (73) Assignee: **BEAN LOGIK LLC**, Vancouver, WA (US)
- (\*\*) Term: **15 Years**
- (21) Appl. No.: **29/574,557**
- (22) Filed: **Aug. 16, 2016**

D191,590 S \* 10/1961 Schlumbohm ..... D7/310  
 D203,854 S 2/1966 Douglas  
 D204,786 S \* 5/1966 Rawald ..... D7/310  
 D205,678 S 9/1966 Williams  
 3,336,857 A \* 8/1967 Knodt ..... A47J 31/16  
 99/295

(Continued)

**OTHER PUBLICATIONS**

Buzzillions, Hourglass Coffee (Bean Logik LLC) Hourglass Cold Brew Coffee Maker System, at least as early as Nov. 18, 2014, <http://www.buzzillions.com/reviews/hourglass-coffee-bean-logik-llc-cole-brew-maker-system-reviews>, 4 pages.

(Continued)

*Primary Examiner* — Marianne Pandozzi  
 (74) *Attorney, Agent, or Firm* — Law Office of Karen Dana Oster, LLC

**Related U.S. Application Data**

- (62) Division of application No. 29/510,200, filed on Nov. 25, 2014, now Pat. No. Des. 766,655.
- (51) **LOC (11) Cl.** ..... **07-99**
- (52) **U.S. Cl.**  
USPC ..... **D7/399; D7/397**
- (58) **Field of Classification Search**  
USPC ..... D7/399, 400, 300, 309, 310, 532, 397,  
D7/401, 679, 507; 99/303, 287, 299,  
99/319, 296, 279; 426/425  
CPC ..... A47J 31/06; A47J 31/08; A47J 31/005;  
A47J 31/061; A47J 31/16  
See application file for complete search history.

(57) **CLAIM**

The ornamental design for a cold brew coffee system, as shown and described.

**DESCRIPTION**

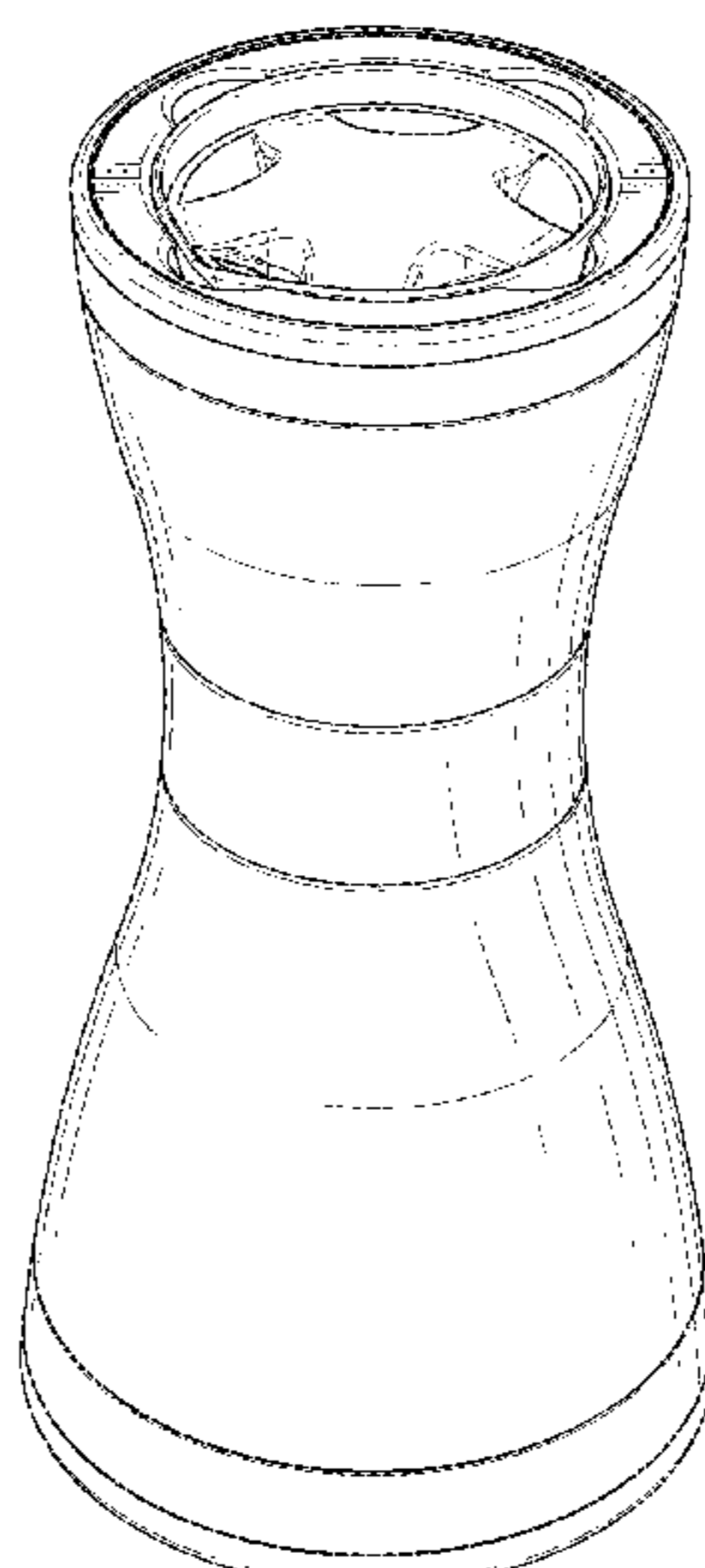
FIG. 1 is a perspective view of the cold brew coffee system of my new design;  
 FIG. 2 is a bottom perspective view thereof;  
 FIG. 3 is an exploded top perspective view thereof;  
 FIG. 4 is an exploded bottom perspective view thereof;  
 FIG. 5 is a front view thereof;  
 FIG. 6 is a rear view thereof;  
 FIG. 7 is a side view thereof, the opposite view being a mirror image thereof.  
 FIG. 8 is a top view thereof; and,  
 FIG. 9 is a bottom view thereof.  
 The broken lines depict portions of the cold brew coffee system that form no part of the claimed design.

**1 Claim, 8 Drawing Sheets**

(56) **References Cited**

**U.S. PATENT DOCUMENTS**

- 25,909 A \* 10/1859 Nielson ..... A47J 31/16  
99/296
- 385,880 A 7/1888 Racer
- 1,051,701 A 1/1913 Delgado et al.
- 2,263,610 A 11/1941 Cain et al.
- 2,414,901 A \* 1/1947 Schlumbohm ..... A47J 45/08  
215/396
- 2,414,902 A \* 1/1947 Schlumbohm ..... A47J 45/08  
210/470
- D167,667 S \* 9/1952 Babany ..... 220/504



(56)

References Cited

U.S. PATENT DOCUMENTS

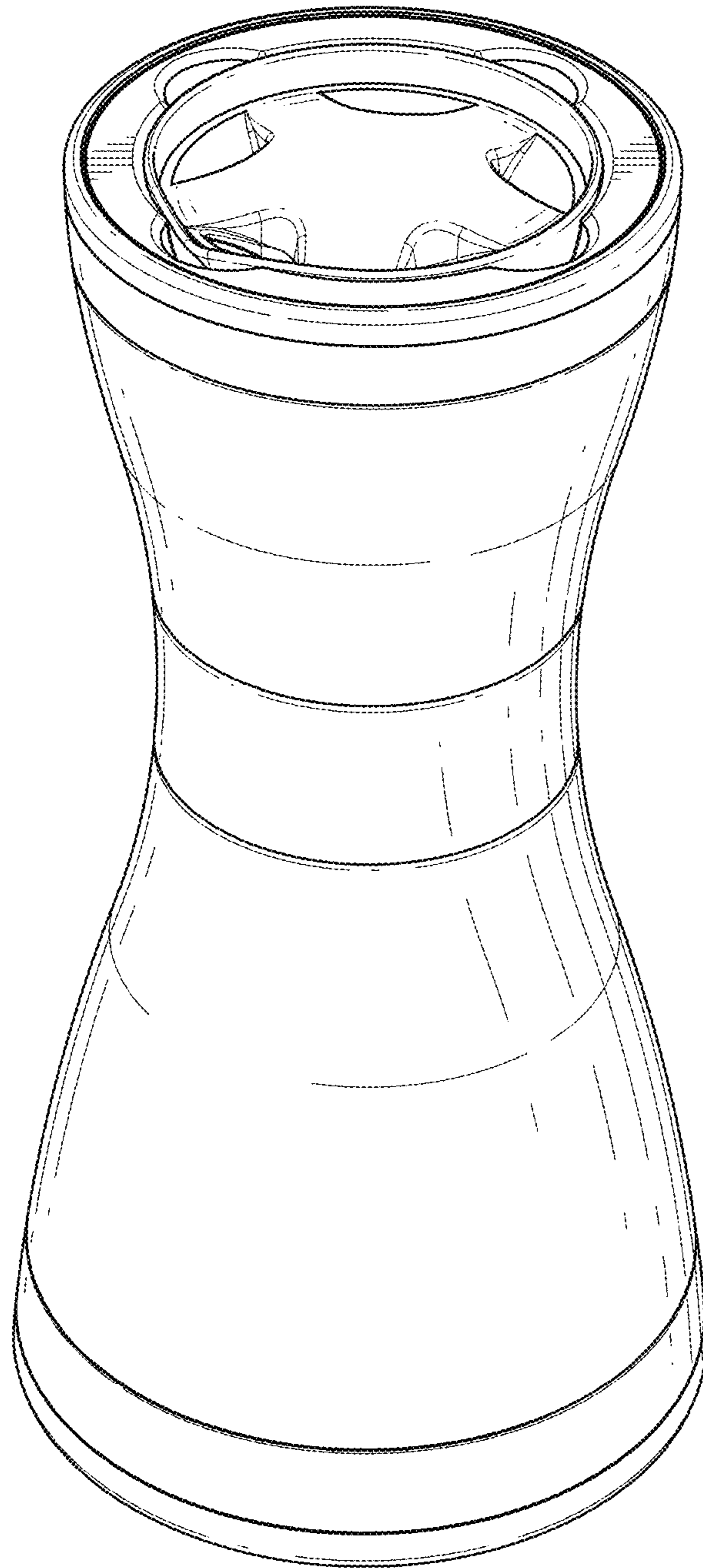
4,112,830 A 9/1978 Saito  
 D250,804 S 1/1979 Nilsson  
 4,143,590 A 3/1979 Kasakoff  
 4,167,136 A \* 9/1979 Chupurdy ..... A47J 31/02  
 99/306  
 4,278,691 A 7/1981 Donarumma et al.  
 4,374,026 A 2/1983 Greutert  
 D271,215 S 11/1983 Hinkle  
 4,443,481 A 4/1984 Donarumma et al.  
 4,464,982 A 8/1984 Leuschner et al.  
 5,104,666 A 4/1992 Sanvitale  
 5,125,327 A 6/1992 Winnington-Ingram  
 6,561,080 B1 \* 5/2003 Feeney ..... A47J 31/24  
 99/295  
 D521,329 S 5/2006 Bodum  
 D534,037 S \* 12/2006 Oas ..... D7/507  
 D557,977 S \* 12/2007 Neace ..... D7/397  
 D584,922 S \* 1/2009 Spiegel ..... D7/309  
 D598,706 S 8/2009 Neace et al.  
 D606,805 S \* 12/2009 Neace ..... D7/399

D611,754 S \* 3/2010 Bodum ..... D7/310  
 7,858,133 B2 \* 12/2010 Neace, Jr. .... A47J 31/16  
 210/219  
 7,958,816 B2 6/2011 Lin  
 D695,064 S \* 12/2013 Seymour ..... D7/300  
 D695,065 S \* 12/2013 Seymour ..... D7/300  
 8,720,321 B2 \* 5/2014 Neace, Jr. .... A47J 31/002  
 99/296  
 8,847,123 B2 \* 9/2014 Shoshan ..... A47J 37/04  
 219/520  
 D750,935 S \* 3/2016 Cook ..... D7/399  
 D766,655 S \* 9/2016 Neace, Jr. .... D7/397  
 2006/0230944 A1 \* 10/2006 Neace, Jr. .... A47J 31/16  
 99/279

OTHER PUBLICATIONS

The Wall Street Journal, Why Making Iced Coffee at Home is Such a Grind, at least as early as Nov. 18, 2014, <http://online.wsj.com/articles/SB10001424052748704164904575421292174210822>, 4 pages.

\* cited by examiner



*FIG. 1*

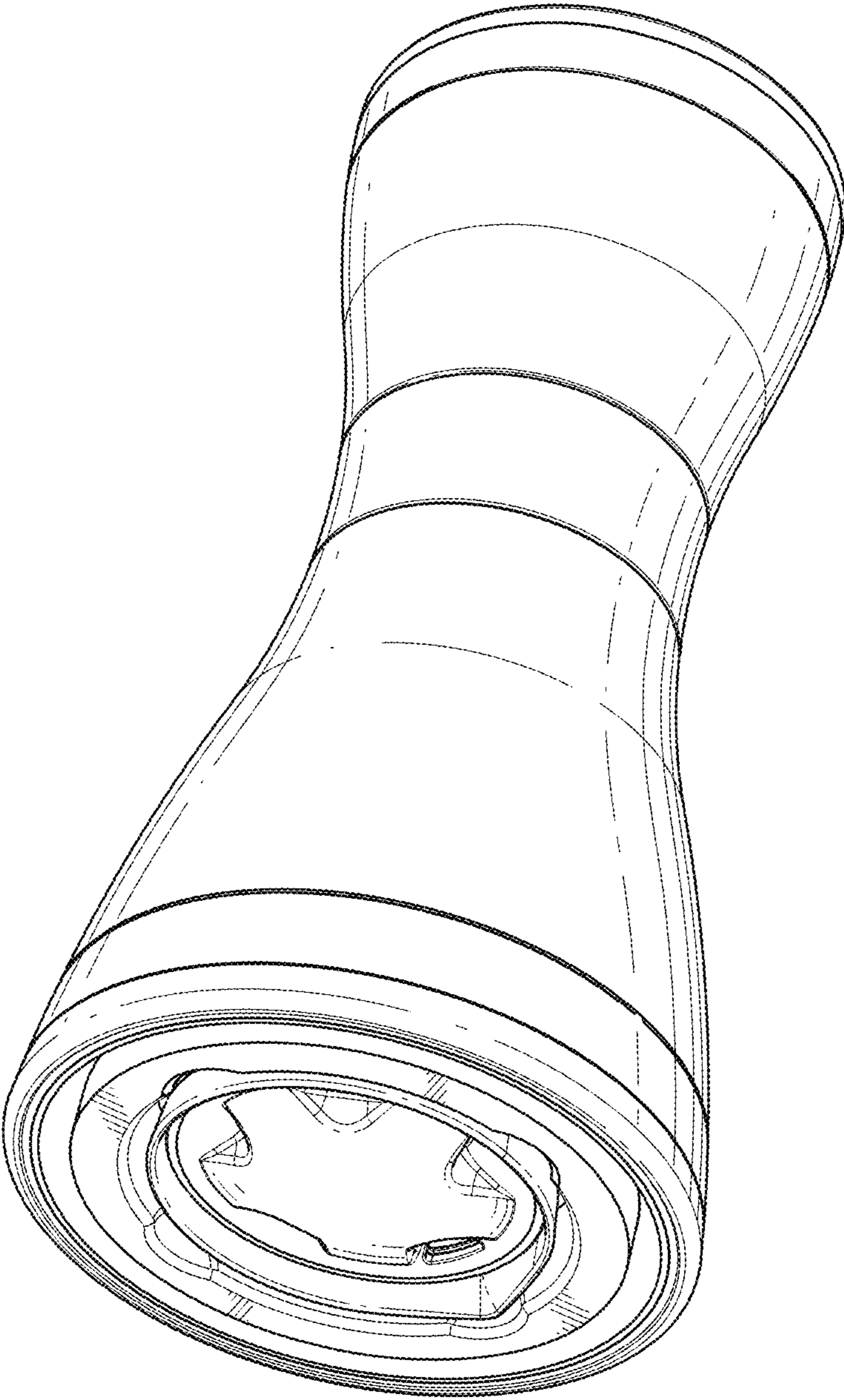


FIG. 2



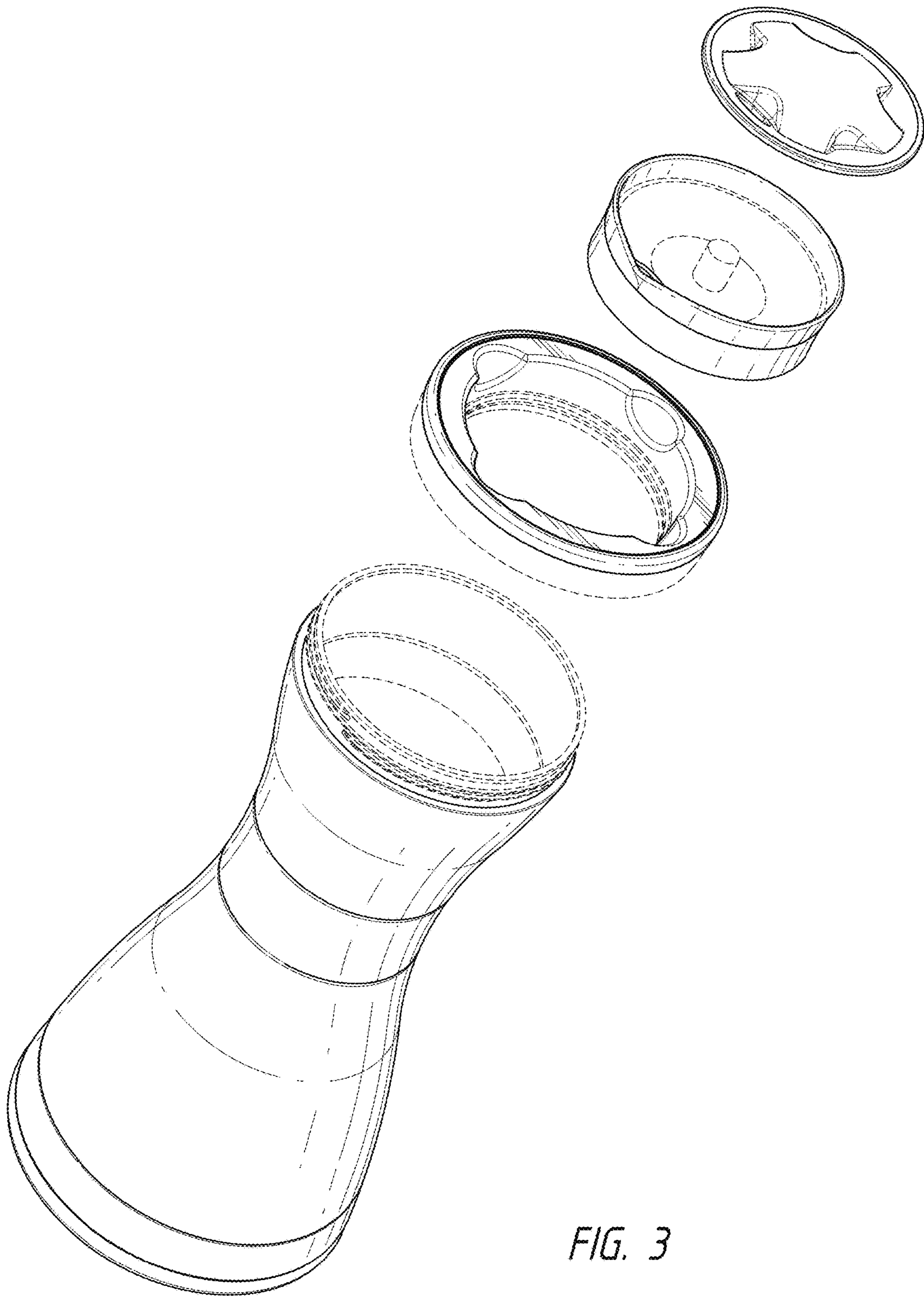


FIG. 3

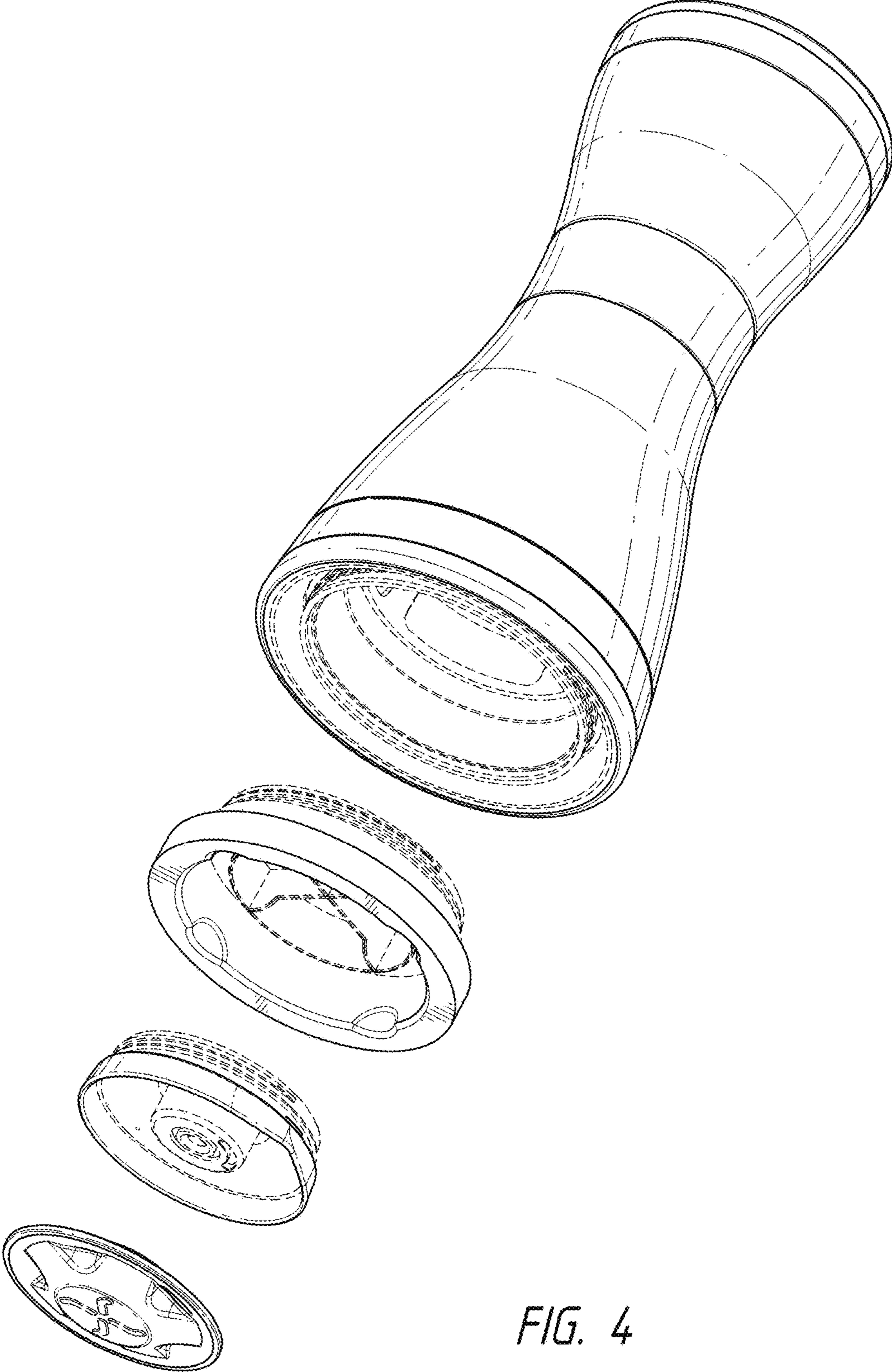


FIG. 4

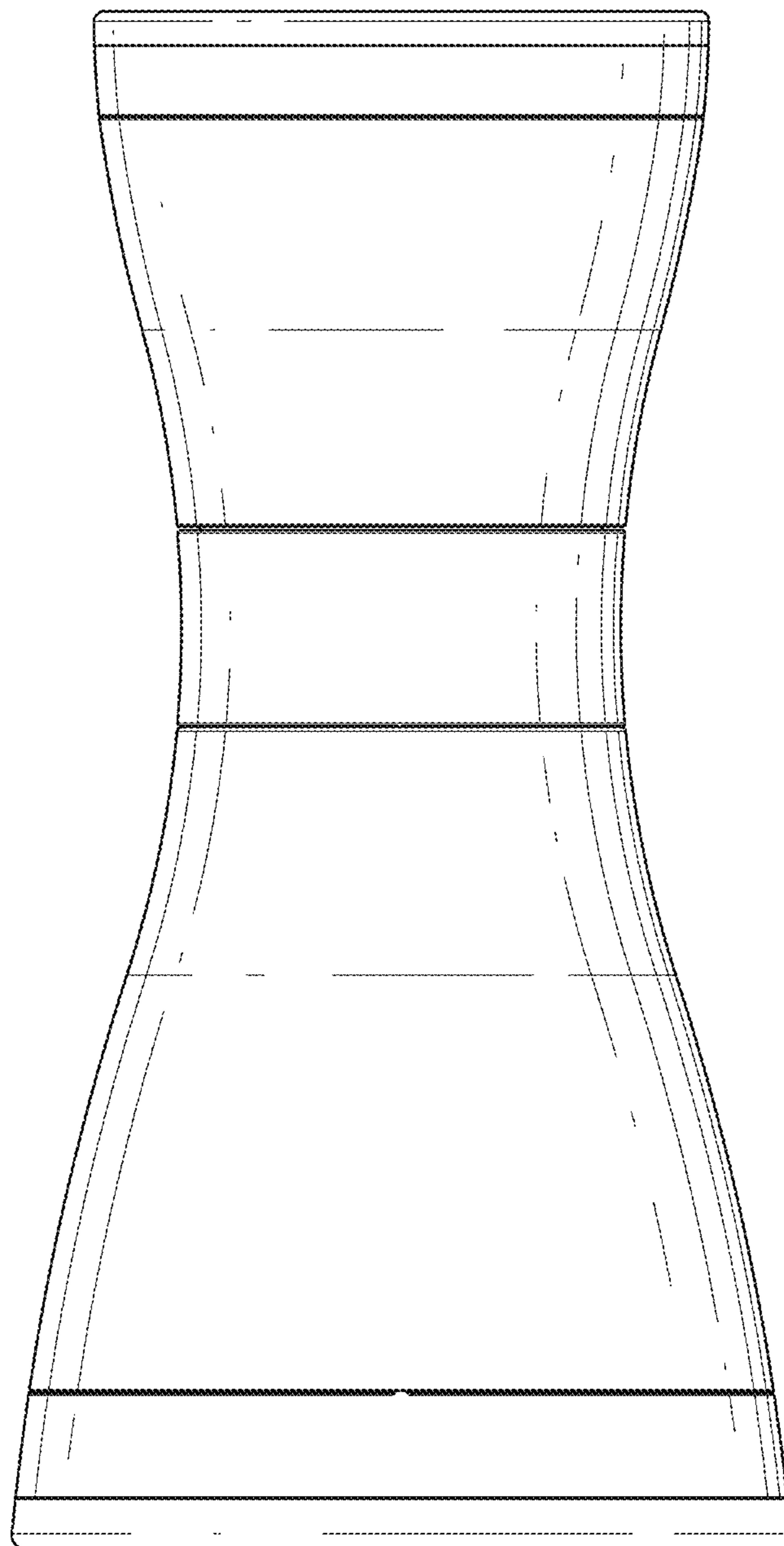


FIG. 5

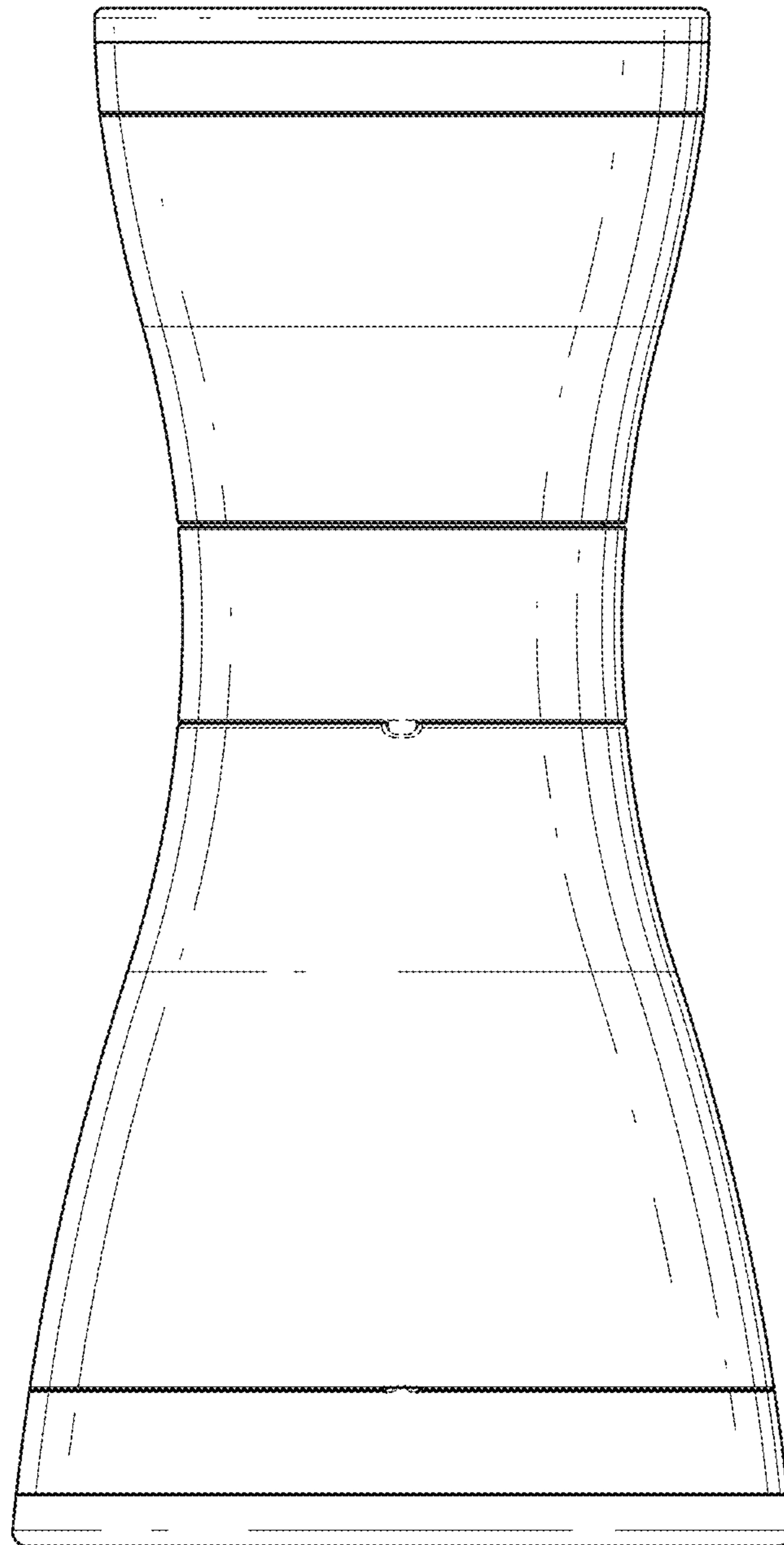


FIG. 6



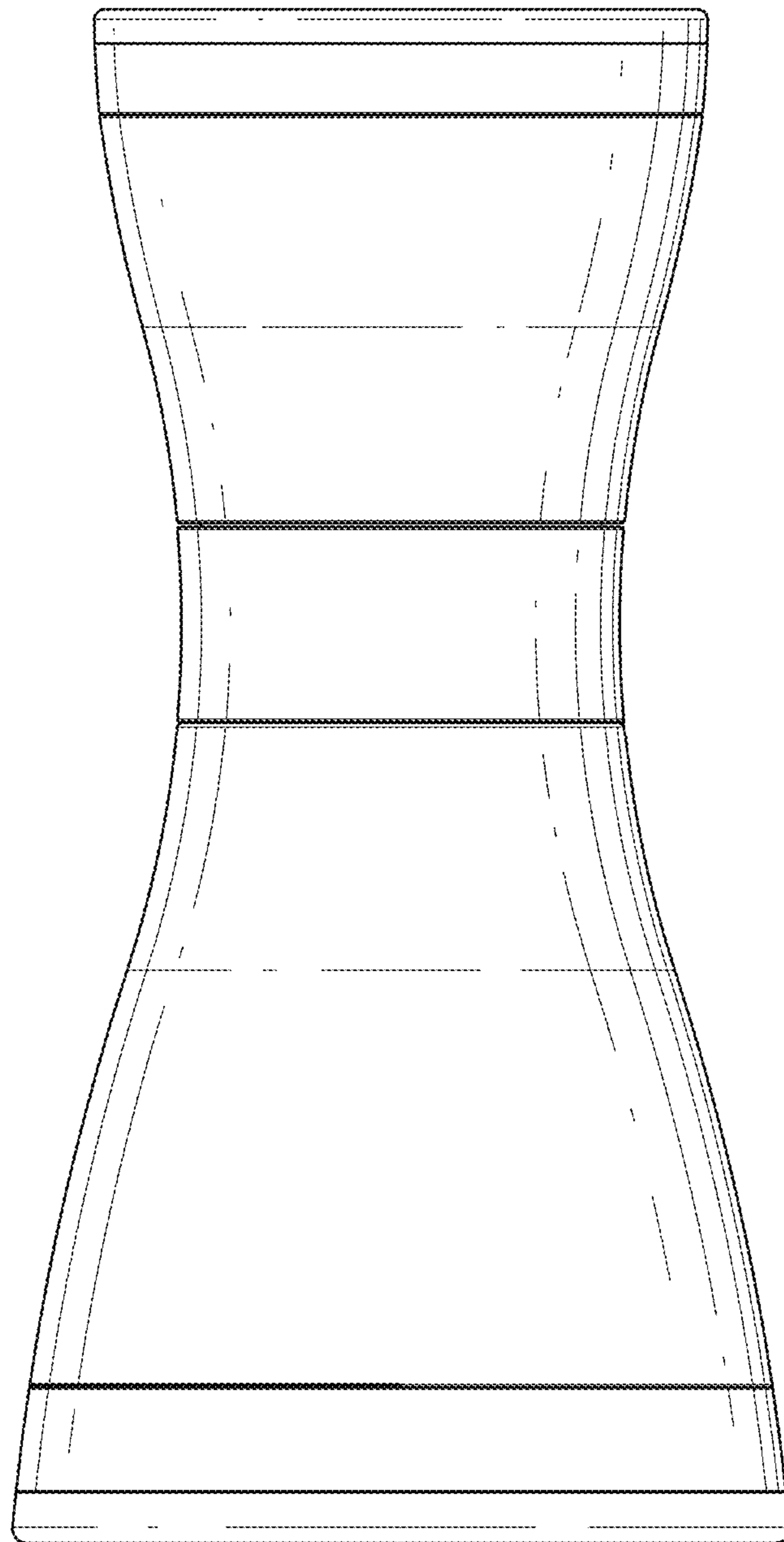


FIG. 7

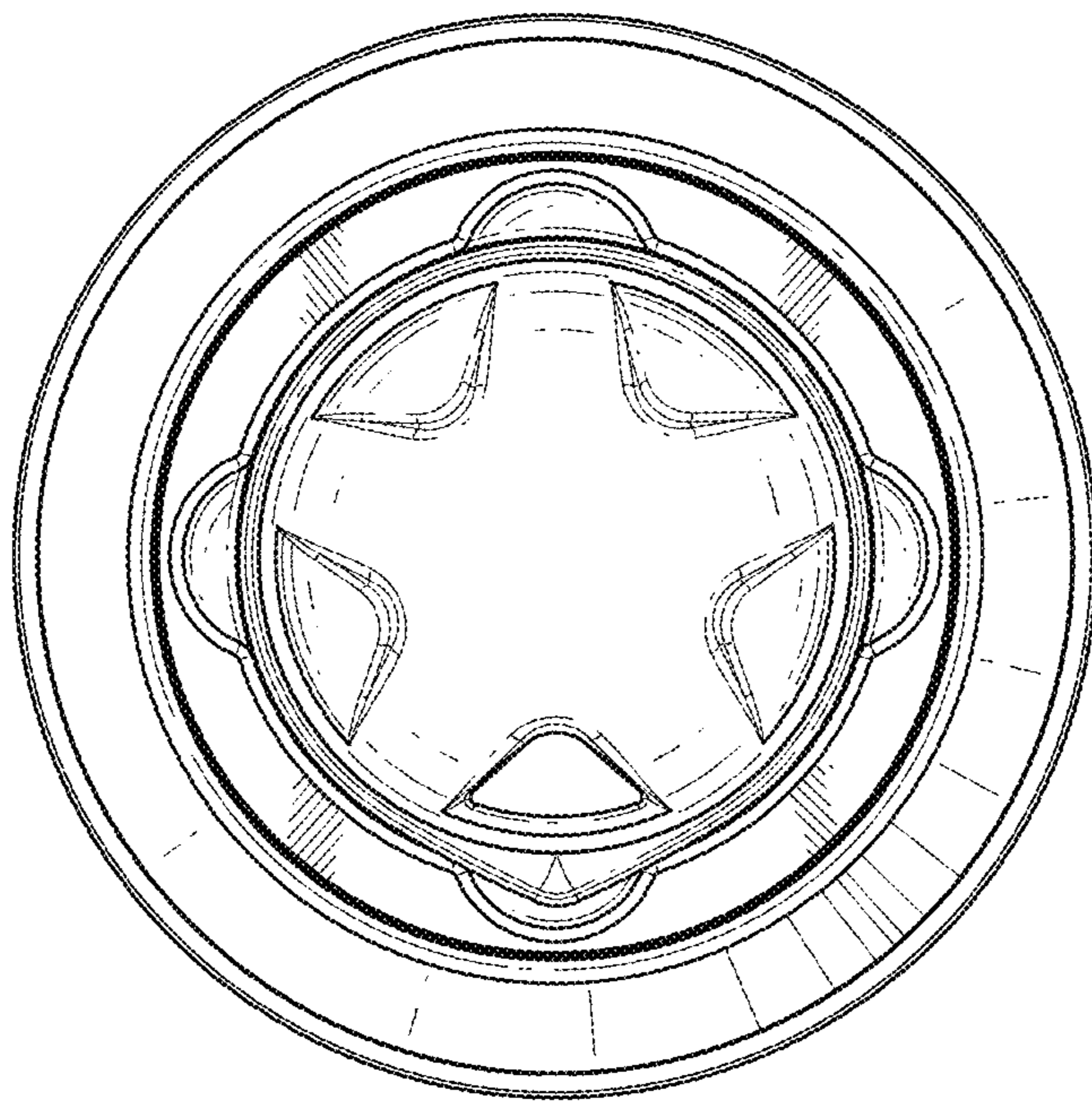


FIG. 8

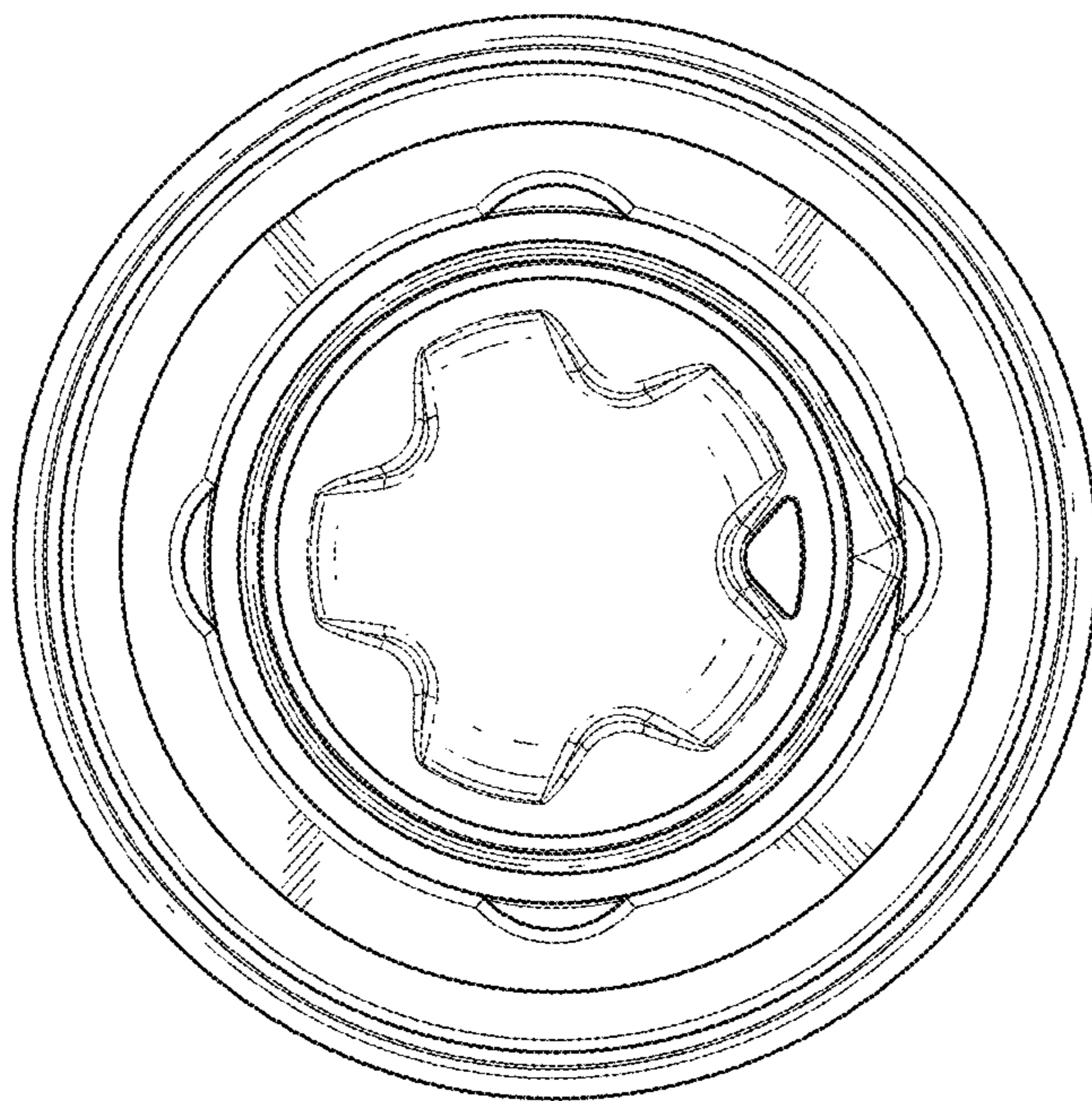


FIG. 9