



US00D823048S

(12) **United States Design Patent**
Phillips-Solomon

(10) **Patent No.:** **US D823,048 S**
(45) **Date of Patent:** **** Jul. 17, 2018**

- (54) **POTATO SLICING RACK**
- (71) Applicant: **Charcoal Companion Incorporated**,
Berkeley, CA (US)
- (72) Inventor: **Kwame Phillips-Solomon**, Emeryville,
CA (US)
- (73) Assignee: **Charcoal Companion Incorporated**,
Berkeley, CA (US)
- (**) Term: **15 Years**
- (21) Appl. No.: **29/609,327**
- (22) Filed: **Jun. 29, 2017**
- (51) **LOC (11) Cl.** **31-00**
- (52) **U.S. Cl.**
USPC **D7/381**
- (58) **Field of Classification Search**
USPC D7/393-395, 401.2, 642-652, 673-674,
D7/693, 695-696; D8/93, 97-100, 107,
D8/300, 321; D22/117-118
CPC A01B 1/20; A01B 1/22; A21C 11/106;
A22C 25/006; A47J 17/10; A47J 37/041;
A47J 43/18; A47G 21/06; A47G 21/065;
A61B 17/3211; A61B 17/3213; B21D
53/64; B25G 3/36; B26B 1/00; B26B
1/08; B26B 1/10; B26B 3/00; B26B 3/02;
B26B 3/03; B26B 3/04; B26B 3/06;
B26B 5/00; B26B 5/001; B26B 5/007;
B26B 7/00; B26B 7/005; B26B 9/00;
B26B 9/02; B26B 11/00; B26B 11/006;
B26B 17/00; B26B 17/006; B26B 29/02;
B26B 29/063; B26D 1/553
See application file for complete search history.

- 3,315,591 A * 4/1967 Elliott A47J 37/041
99/402
- 3,561,511 A * 2/1971 Kummer B26D 1/553
83/597
- 3,999,293 A 12/1976 Zubrycki
(Continued)

OTHER PUBLICATIONS

Outset 76179 Spiral Cutter for Hot Dogs and Wieners [online], site visited [Jun. 29, 2017]. Available from Internet URL: <http://outsetinc.com/item/76179>.

Primary Examiner — Ricky Pham

(74) *Attorney, Agent, or Firm* — Beeson Skinner Beverly, LLP

(57) **CLAIM**

The ornamental design for a potato slicing rack, as shown and described.

DESCRIPTION

FIG. 1 is an upper left front perspective view of a potato slicing rack showing my new design;
 FIG. 2 is another upper left front perspective view thereof showing an alternate position of the cutting guide of the potato slicing rack on the base of the potato slicing rack;
 FIG. 3 is a front elevational view thereof, the rear elevational view being a mirror image;
 FIG. 4 is a left side elevational view thereof;
 FIG. 5 is a right side elevational view thereof;
 FIG. 6 is a sectional view of thereof taken along line 6-6 in FIG. 5;
 FIG. 7 is a top plan view thereof; and,
 FIG. 8 is a bottom plan view thereof.

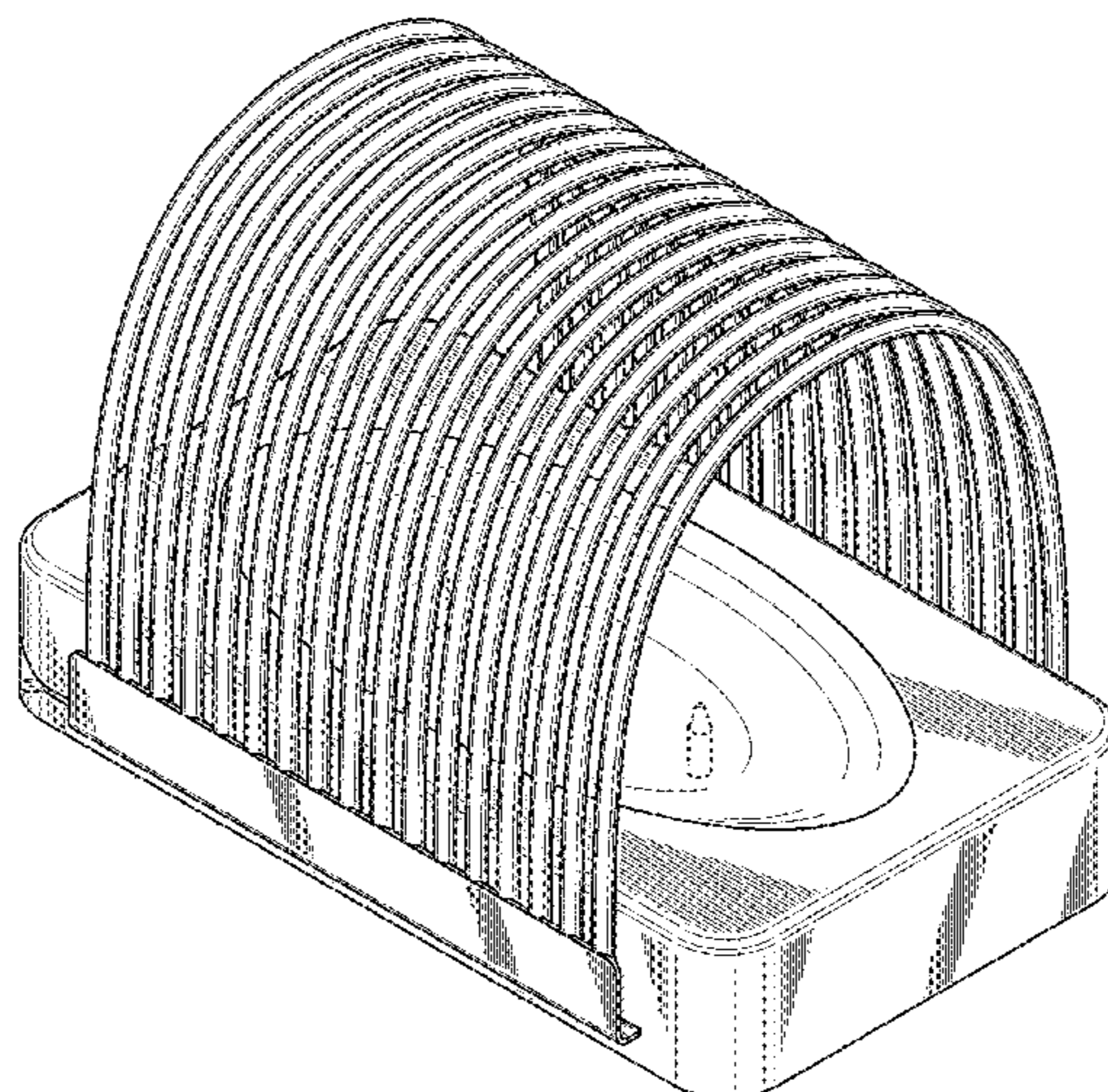
The broken lines in FIGS. 1, 2, 6 and 7 showing potato anchoring pins on the base of the potato slicing rack form no part of the claimed design. The broken lines in FIG. 8 represent the boundary of the claimed design; the area within this boundary forms no part of the claimed design.

1 Claim, 5 Drawing Sheets

(56) **References Cited**

U.S. PATENT DOCUMENTS

- 1,764,235 A * 6/1930 Wilmking B26B 29/063
83/467.1
- 2,592,657 A * 4/1952 Cierley A21C 11/106
83/543



(56)

References Cited

U.S. PATENT DOCUMENTS

4,140,340 A * 2/1979 Cloutier A47J 43/18
269/295
D309,230 S * 7/1990 Mulherin D7/673
5,067,241 A 11/1991 Goodman
5,386,755 A * 2/1995 Schneider B26B 29/063
30/289
6,018,876 A 2/2000 Hodges
D462,242 S * 9/2002 Bell D7/673
D662,790 S * 7/2012 Rugprayoon D7/674
8,272,631 B2 * 9/2012 Gannon A47J 17/10
269/153
8,448,552 B2 * 5/2013 Hoffman B26B 29/063
30/165
2006/0225547 A1 * 10/2006 Stanojevic B26D 1/553
83/13
2014/0054836 A1 * 2/2014 Chen B26B 29/063
269/288

* cited by examiner

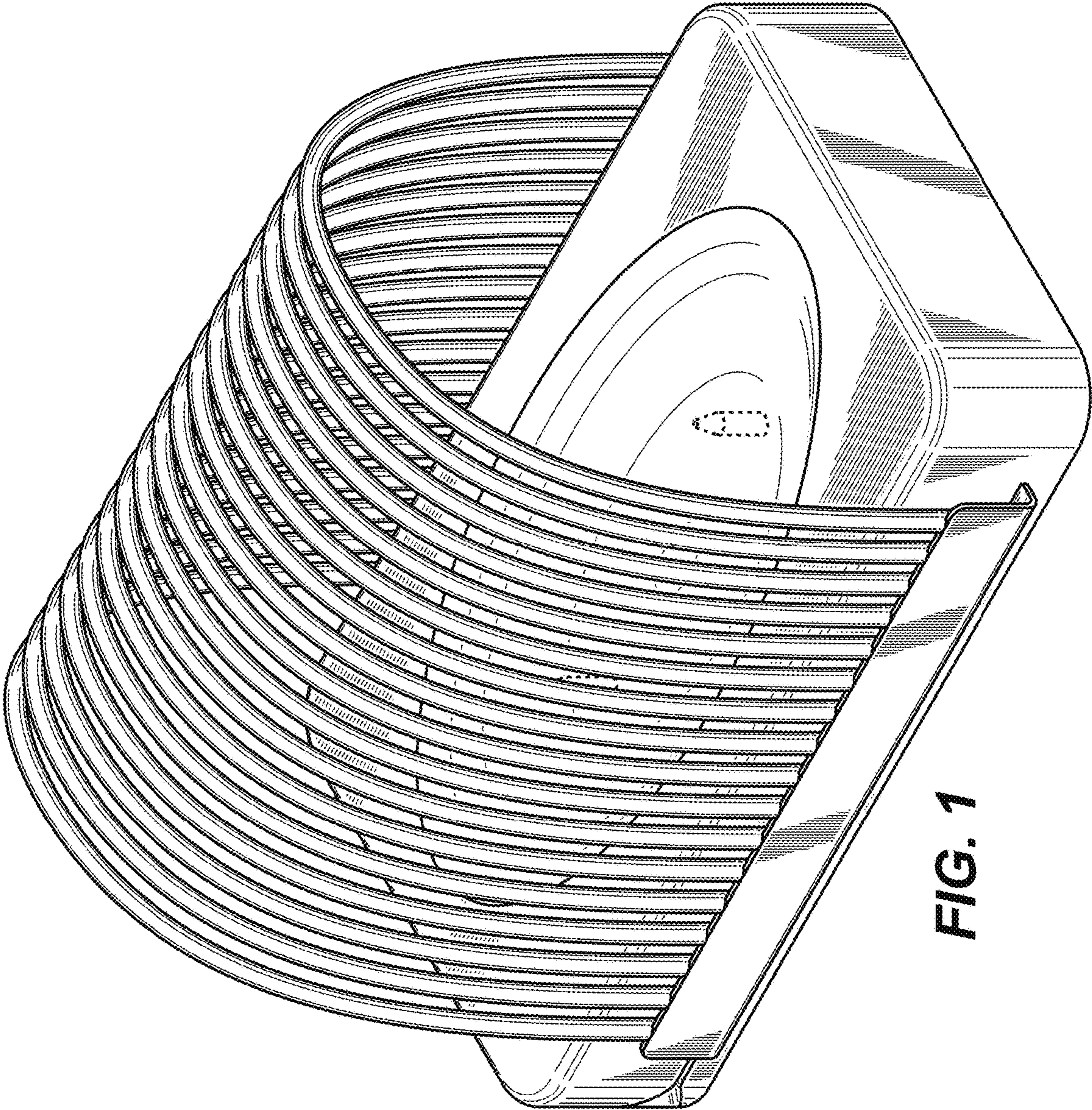


FIG. 1

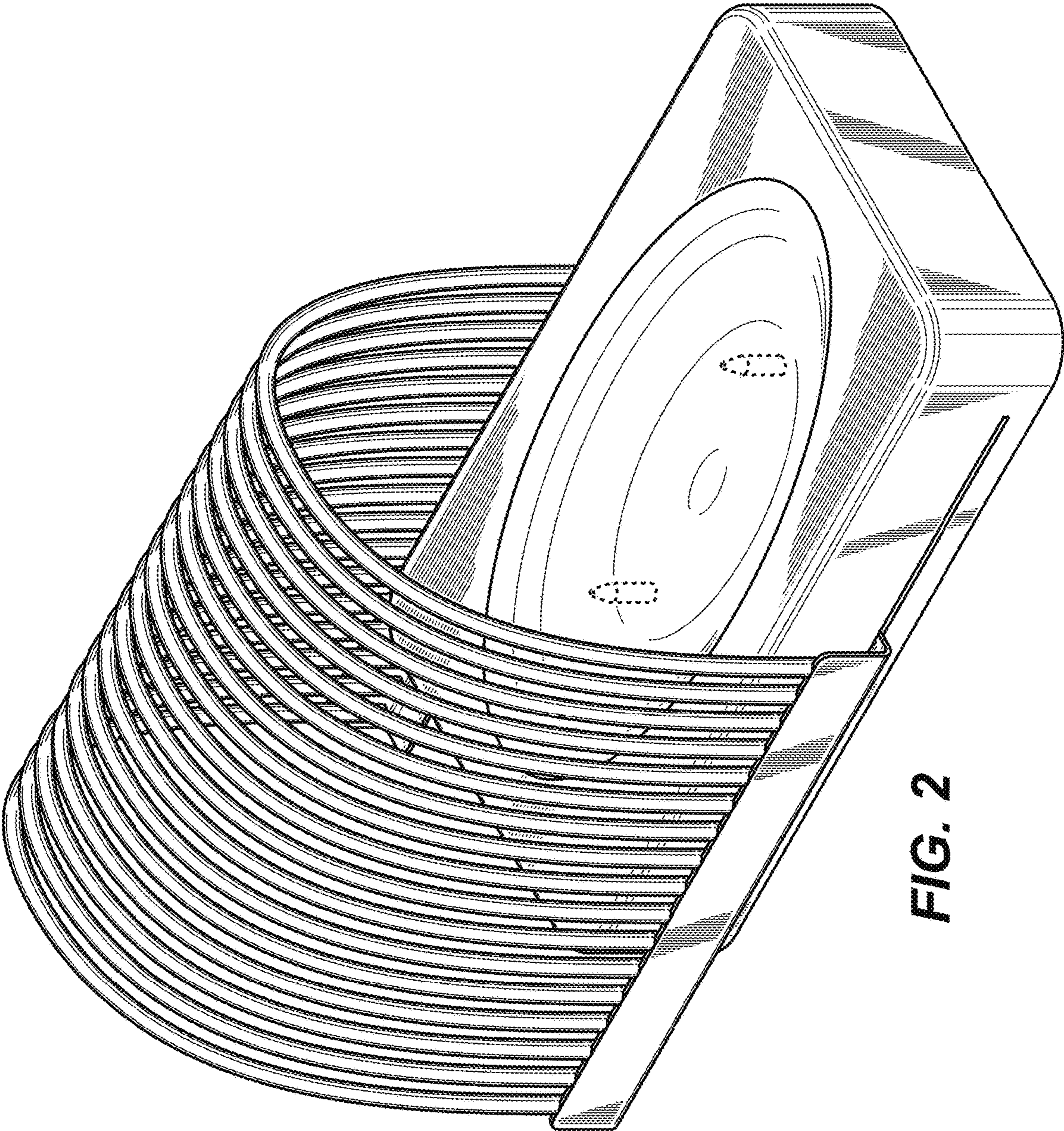


FIG. 2

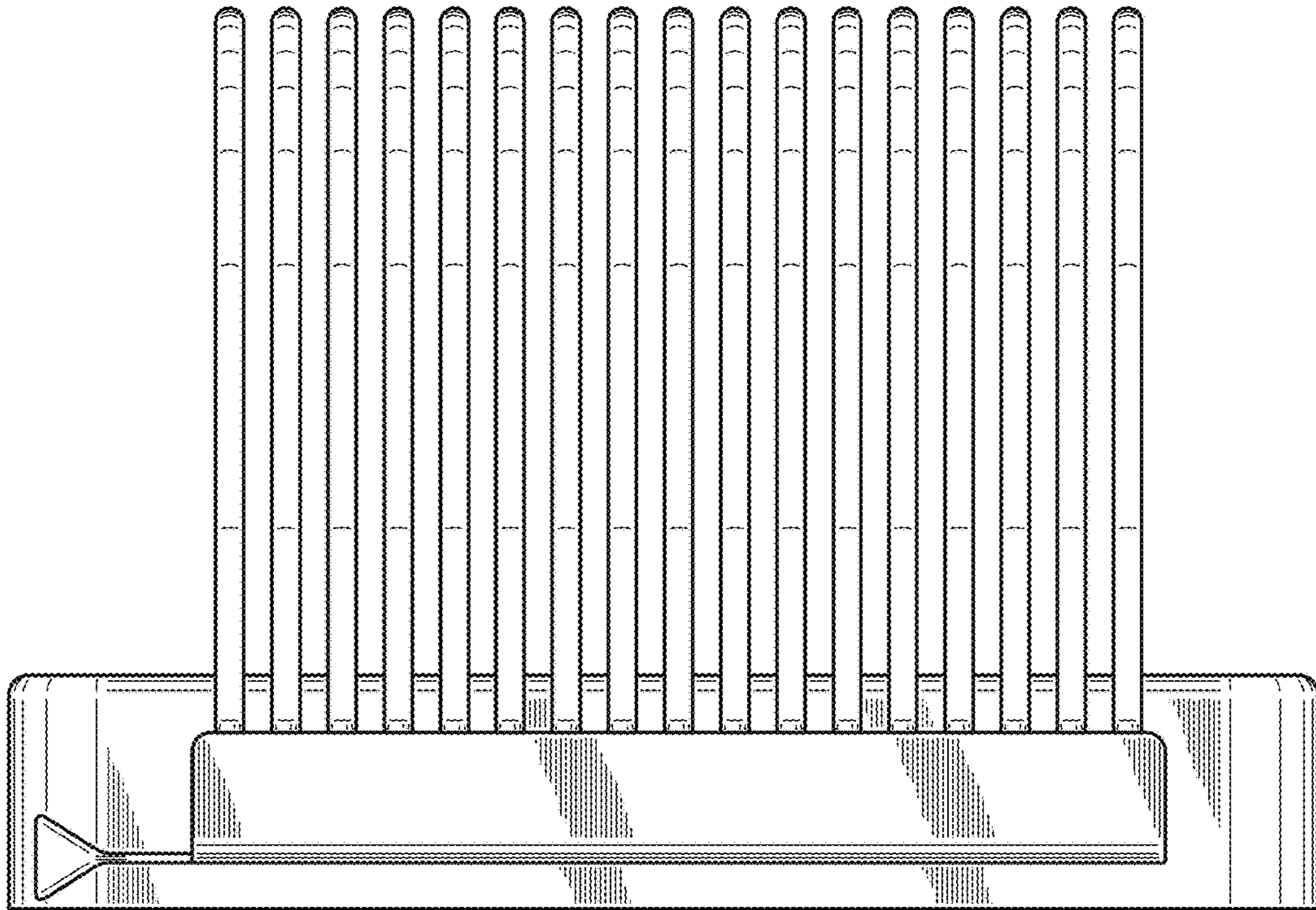


FIG. 3

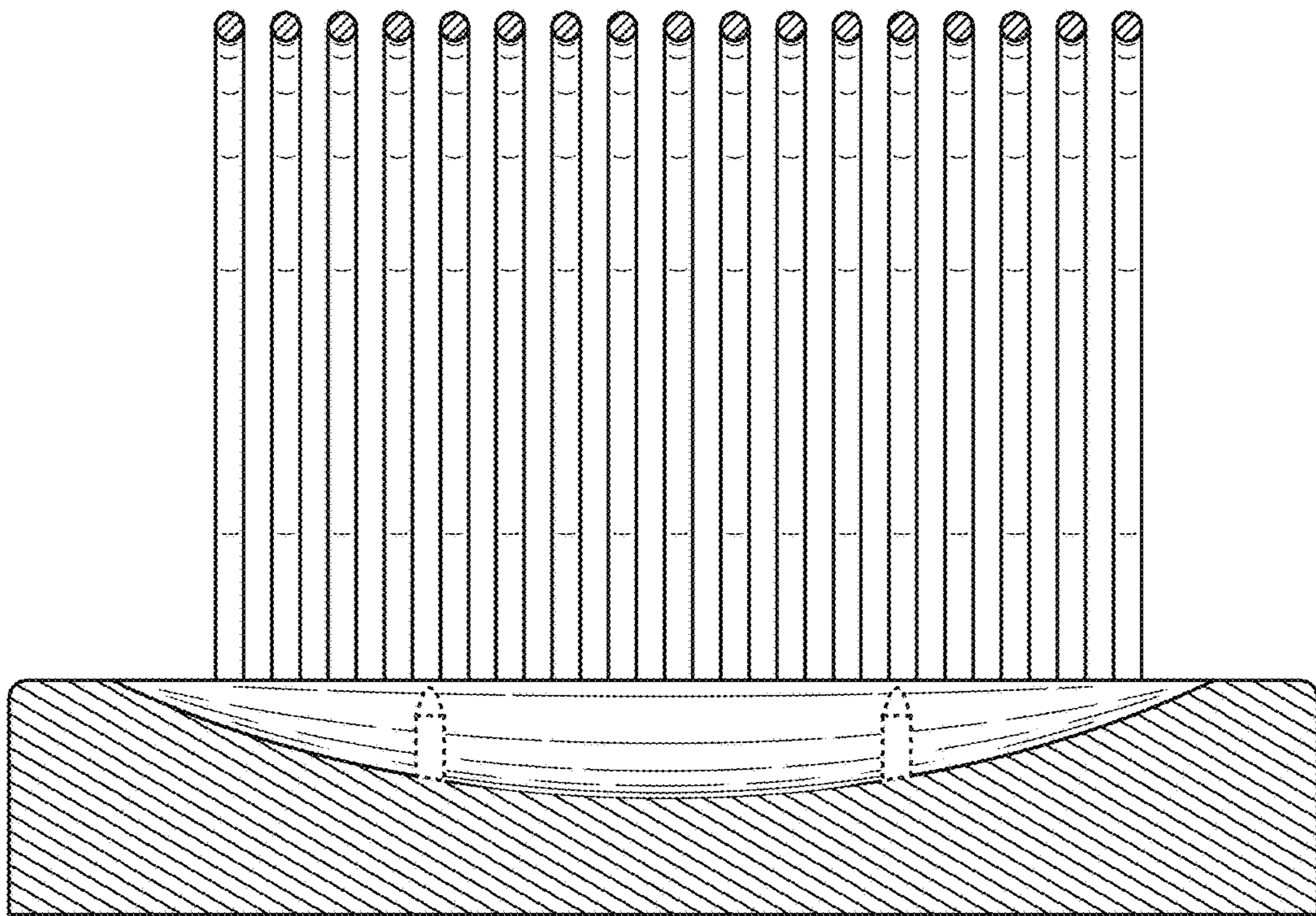


FIG. 6

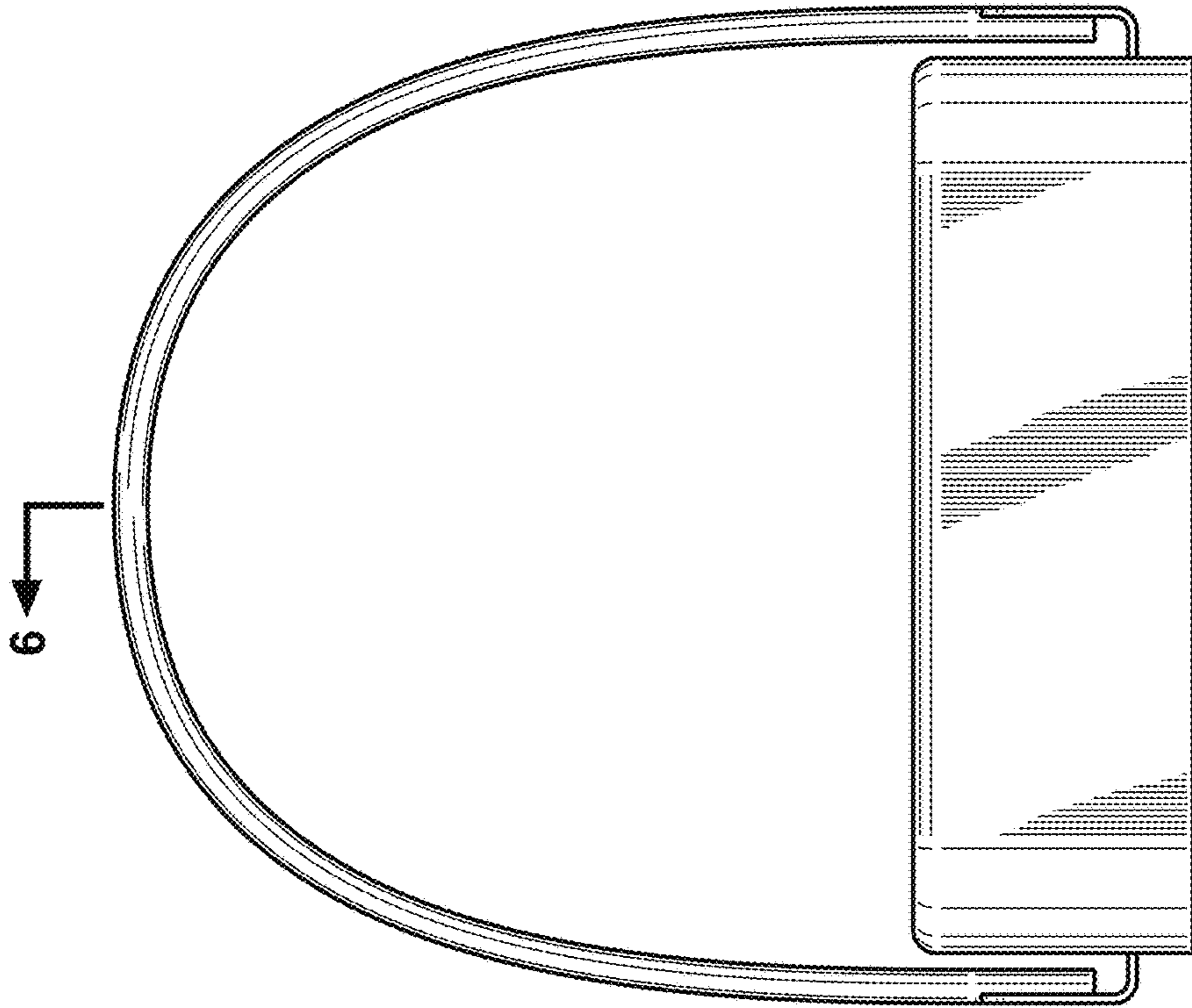


FIG. 5

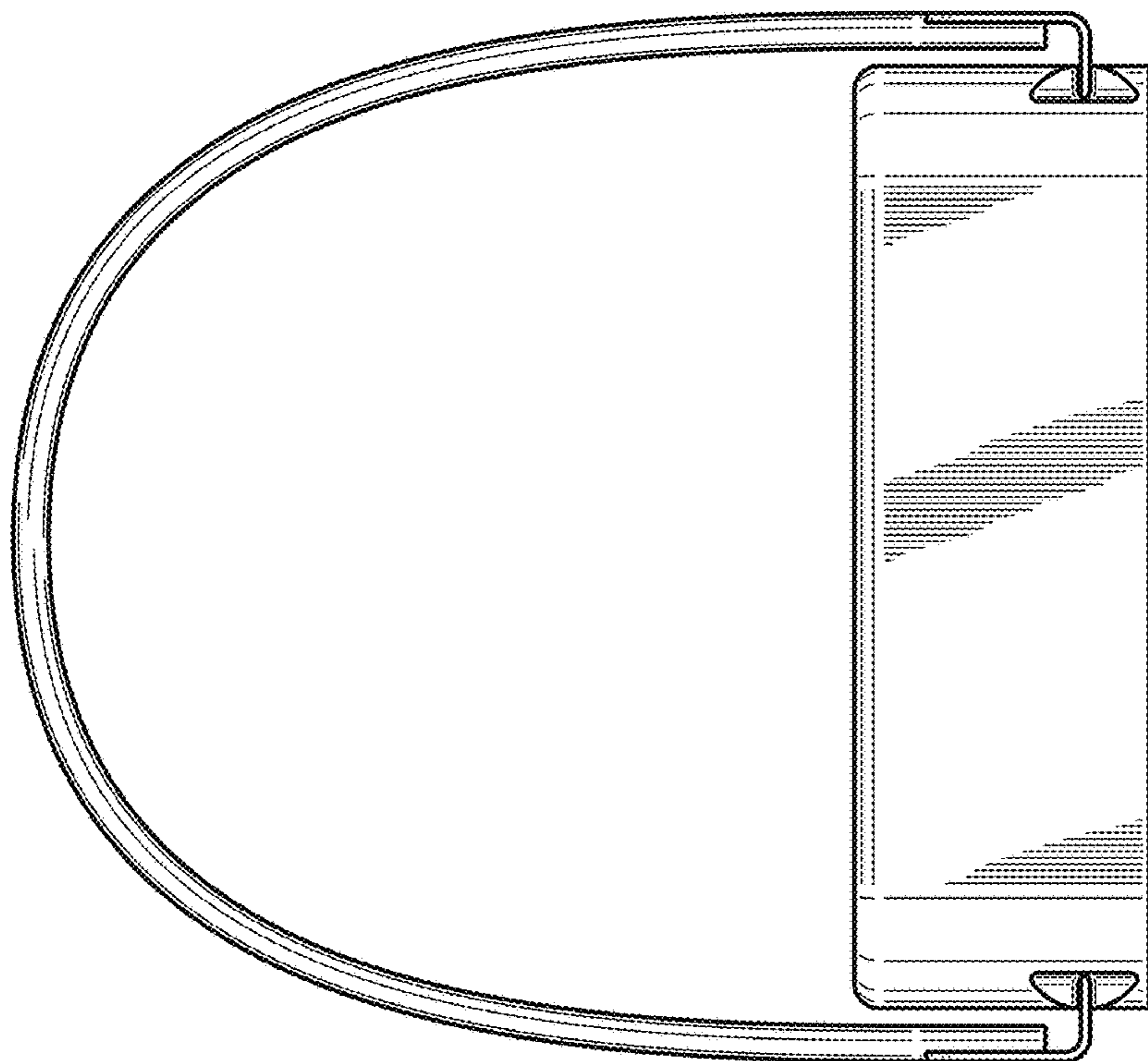


FIG. 4

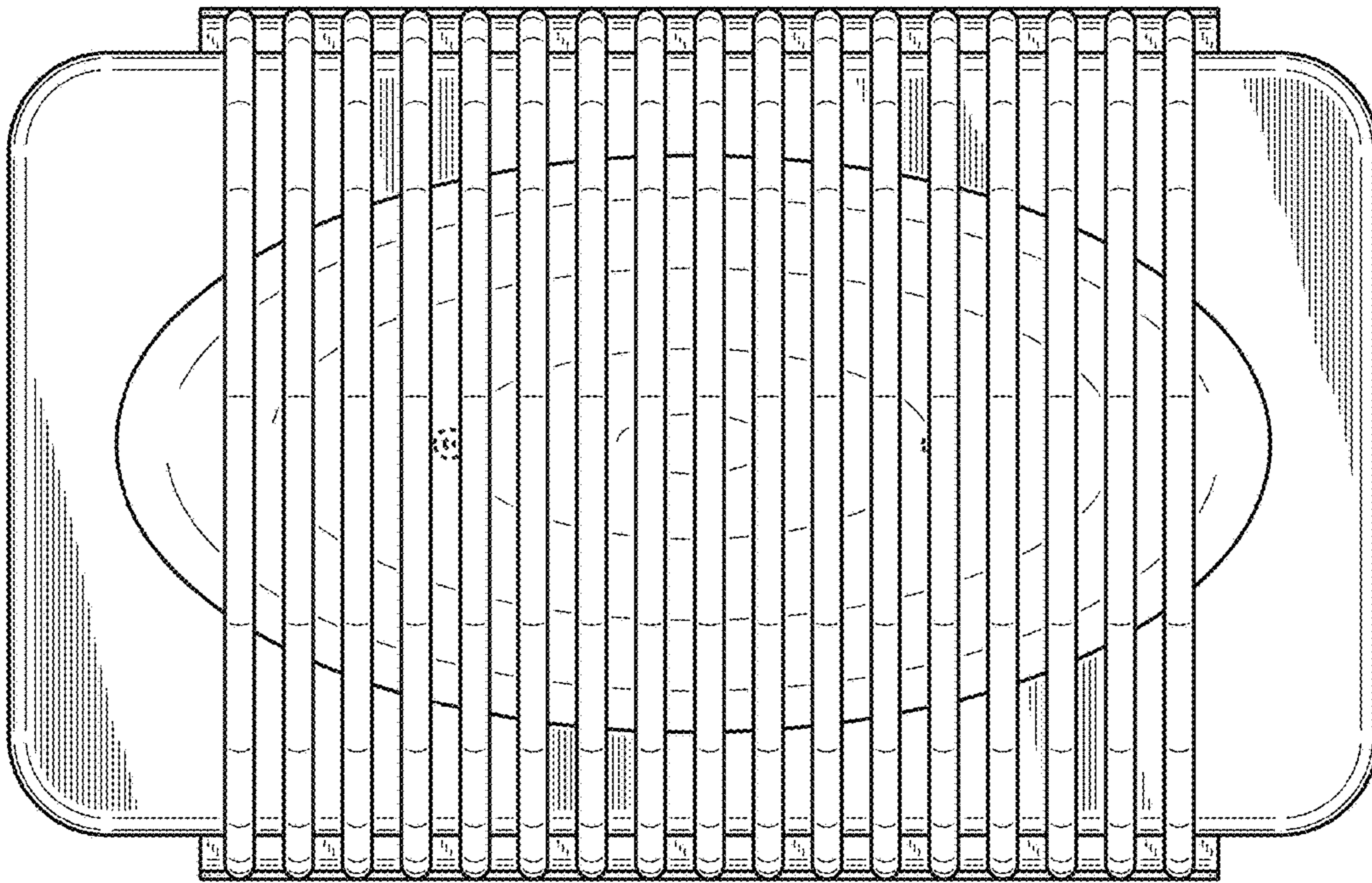


FIG. 7

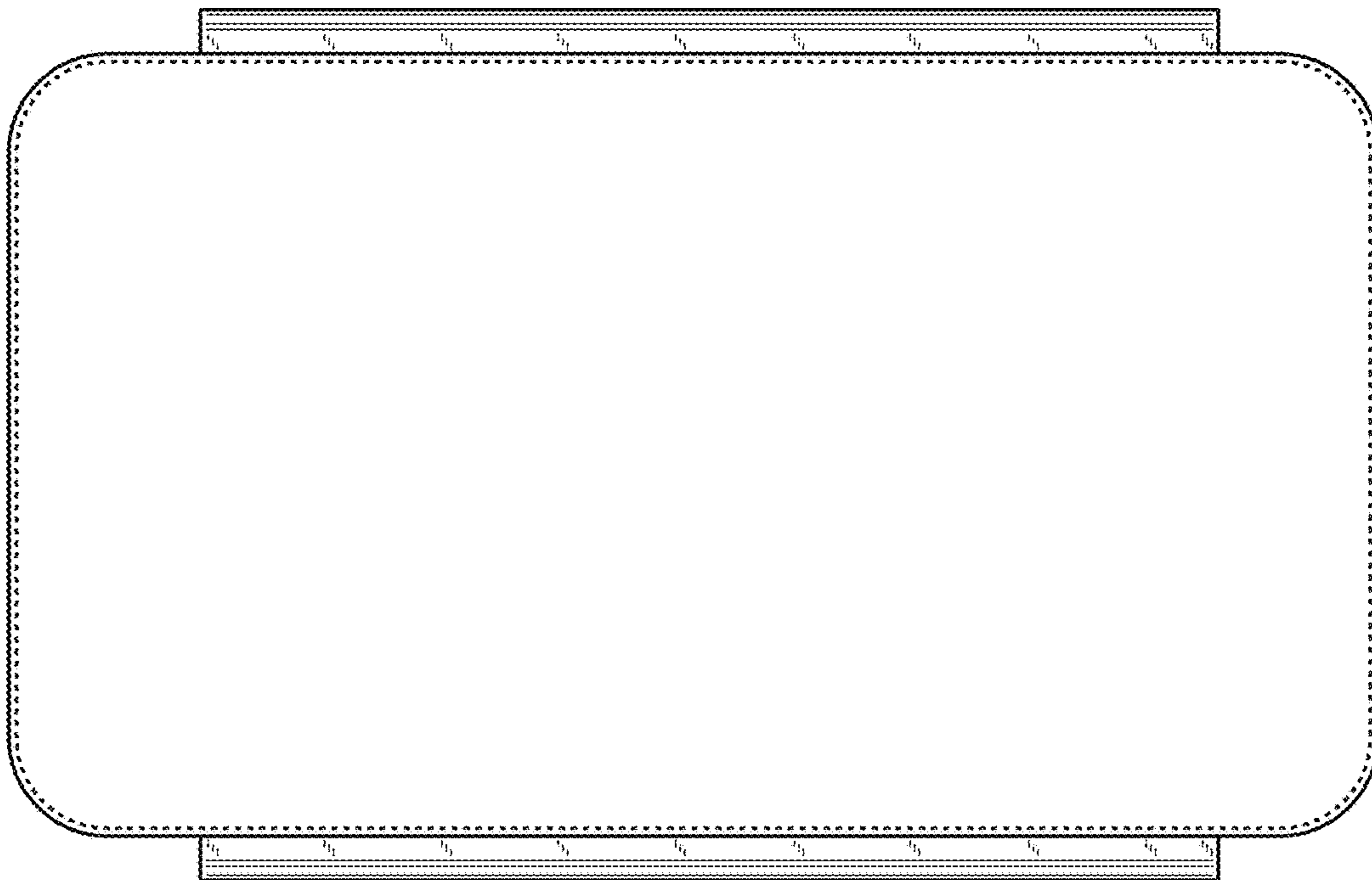


FIG. 8