



US00D823047S

(12) **United States Design Patent**  
**Seymour**

(10) **Patent No.:** **US D823,047 S**  
(45) **Date of Patent:** **\*\* Jul. 17, 2018**

- (54) **GRIDDLE**
- (71) Applicant: **National Presto Industries, Inc.**, Eau Claire, WI (US)
- (72) Inventor: **Justun Seymour**, Eau Claire, WI (US)
- (73) Assignee: **National Presto Industries, Inc.**, Eau Claire, WI (US)
- (\*\*) Term: **15 Years**
- (21) Appl. No.: **29/569,399**
- (22) Filed: **Jun. 27, 2016**
- (51) **LOC (11) Cl.** ..... **07-02**
- (52) **U.S. Cl.**  
USPC ..... **D7/363; D7/362; D7/352**
- (58) **Field of Classification Search**  
USPC ..... D7/323, 354-363, 391, 393-397, 399, D7/402-403, 409, 329, 352, 367; D6/601; 99/348, 422  
CPC ..... A47J 37/00; A47J 37/10; A47J 36/025; A47J 36/02; A47J 37/0676; A47J 27/60; A21B 5/023  
See application file for complete search history.

7,523,697 B2 \* 4/2009 Hedrington ..... A47J 37/0676  
219/452.11  
D618,047 S \* 6/2010 Seymour ..... D7/367  
D644,477 S \* 9/2011 Burton ..... D7/352  
D644,867 S \* 9/2011 Janvier ..... D7/362

(Continued)

*Primary Examiner* — Caron D Veynar  
*Assistant Examiner* — Mehri F Bajoul  
(74) *Attorney, Agent, or Firm* — Schwegman Lundberg & Woessner, P.A.

(57) **CLAIM**

The ornamental design for a griddle, as shown and described.

**DESCRIPTION**

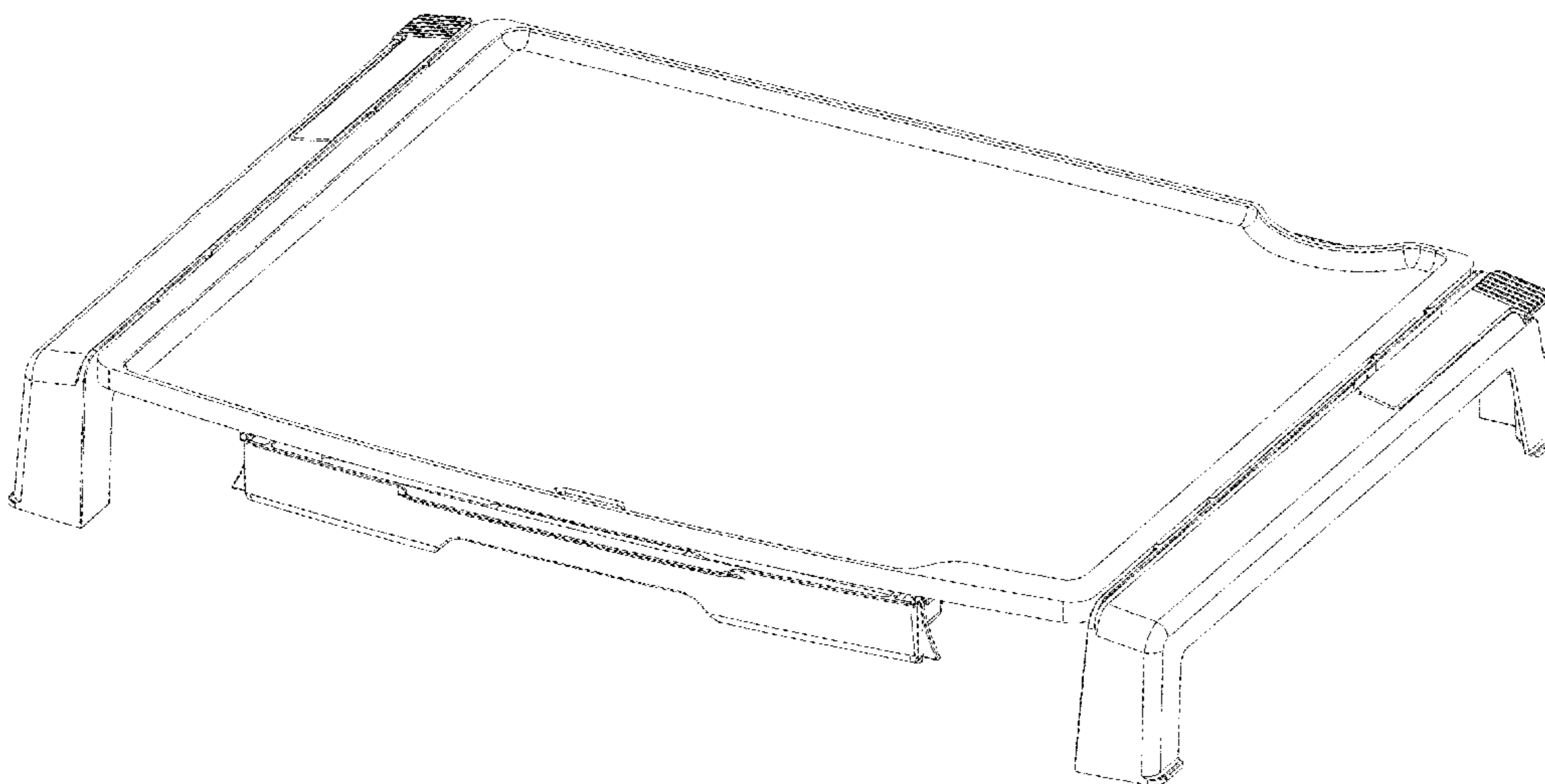
FIG. 1 is a perspective view of the griddle in open position showing my new design;  
FIG. 2 is a perspective view of the griddle in closed position thereof;  
FIG. 3 is a front elevational view of the griddle with the legs in closed position thereof;  
FIG. 4 is an enlarged portion of the front view of the griddle with legs in closed position of FIG. 3 thereof;  
FIG. 5 is a front elevational view of the griddle with the right legs in semi-open position thereof;  
FIG. 6 is an enlarged portion of the front view of the griddle with right legs in semi-open position of FIG. 5 thereof;  
FIG. 7 is a front perspective of the griddle showing the legs in semi-open position thereof;  
FIG. 8 is a bottom perspective view of the griddle in closed position thereof;  
FIG. 9 is a bottom elevational view of the griddle thereof; and,  
FIG. 10 is a front perspective of the front of the griddle in closed position thereof.  
The broken lines in in the drawings depict portions of the griddle and form no part of the claimed design.

**1 Claim, 8 Drawing Sheets**

(56) **References Cited**

**U.S. PATENT DOCUMENTS**

- D265,538 S \* 7/1982 Nauheimer ..... D7/360
- 5,467,696 A \* 11/1995 Everhart ..... A47J 37/10  
99/375
- D366,390 S \* 1/1996 Vitantonio ..... D7/363
- D431,152 S \* 9/2000 Lee ..... D7/362
- D437,182 S \* 2/2001 Choi ..... D7/360
- D437,183 S \* 2/2001 Wong ..... D7/362
- D441,250 S \* 5/2001 Choi ..... D7/362
- D503,067 S \* 3/2005 Lubowicki ..... D7/362
- D533,016 S \* 12/2006 Genslak ..... D7/363
- D548,002 S \* 8/2007 De'Longhi ..... D7/362
- D568,095 S \* 5/2008 De' Longhi ..... D7/362
- D575,098 S \* 8/2008 Seymour ..... D7/363



(56)

References Cited

U.S. PATENT DOCUMENTS

D658,429 S *	5/2012	Berge .....	D7/354	D760,015 S *	6/2016	Koszylko .....	D7/352
D660,640 S *	5/2012	De'Longhi .....	D7/354	D760,016 S *	6/2016	Koszylko .....	D7/352
D674,656 S *	1/2013	Berge .....	D7/352	D760,018 S *	6/2016	Koszylko .....	D7/352
D676,273 S *	2/2013	Liu .....	D7/352	D760,532 S *	7/2016	Koszylko .....	D7/352
D685,605 S *	7/2013	Xin .....	D7/352	D761,052 S *	7/2016	Varney .....	D7/352
D697,752 S *	1/2014	De' Longhi .....	D7/352	D766,645 S *	9/2016	Koszylko .....	D7/352
D702,500 S *	4/2014	Ishii .....	D7/409	D801,624 S *	11/2017	Zsolcsak .....	D3/203.1
D711,186 S *	8/2014	De'Longhi .....	D7/352	2005/0229792 A1 *	10/2005	Hedrington .....	A47J 37/0676 99/422
D730,679 S *	6/2015	Wu .....	D7/362	2006/0163242 A1 *	7/2006	Ciancimino .....	A47J 37/0676 219/450.1
D731,227 S *	6/2015	Marsh-Croft .....	D7/352	2007/0204863 A1 *	9/2007	Sie .....	A47J 37/0676 126/9 R
D741,651 S *	10/2015	Marsh-Croft .....	D7/352	2009/0025567 A1 *	1/2009	Greenberg .....	A47J 37/0676 99/337
D745,802 S *	12/2015	Yao .....	D7/352	2014/0001175 A1 *	1/2014	Tsai .....	H05B 6/1209 219/647
D746,097 S *	12/2015	Davenport .....	D7/352	2015/0335200 A1 *	11/2015	Ortner .....	A47J 37/067 99/425
D747,622 S *	1/2016	Yang .....	D7/352	2017/0290101 A1 *	10/2017	Hawkins .....	H05B 3/68
D749,887 S *	2/2016	Chang .....	D7/352				
D755,560 S *	5/2016	Day .....	D7/352				
D758,784 S *	6/2016	Hunt .....	D7/352				
D758,785 S *	6/2016	Verbrugge .....	D7/352				

\* cited by examiner

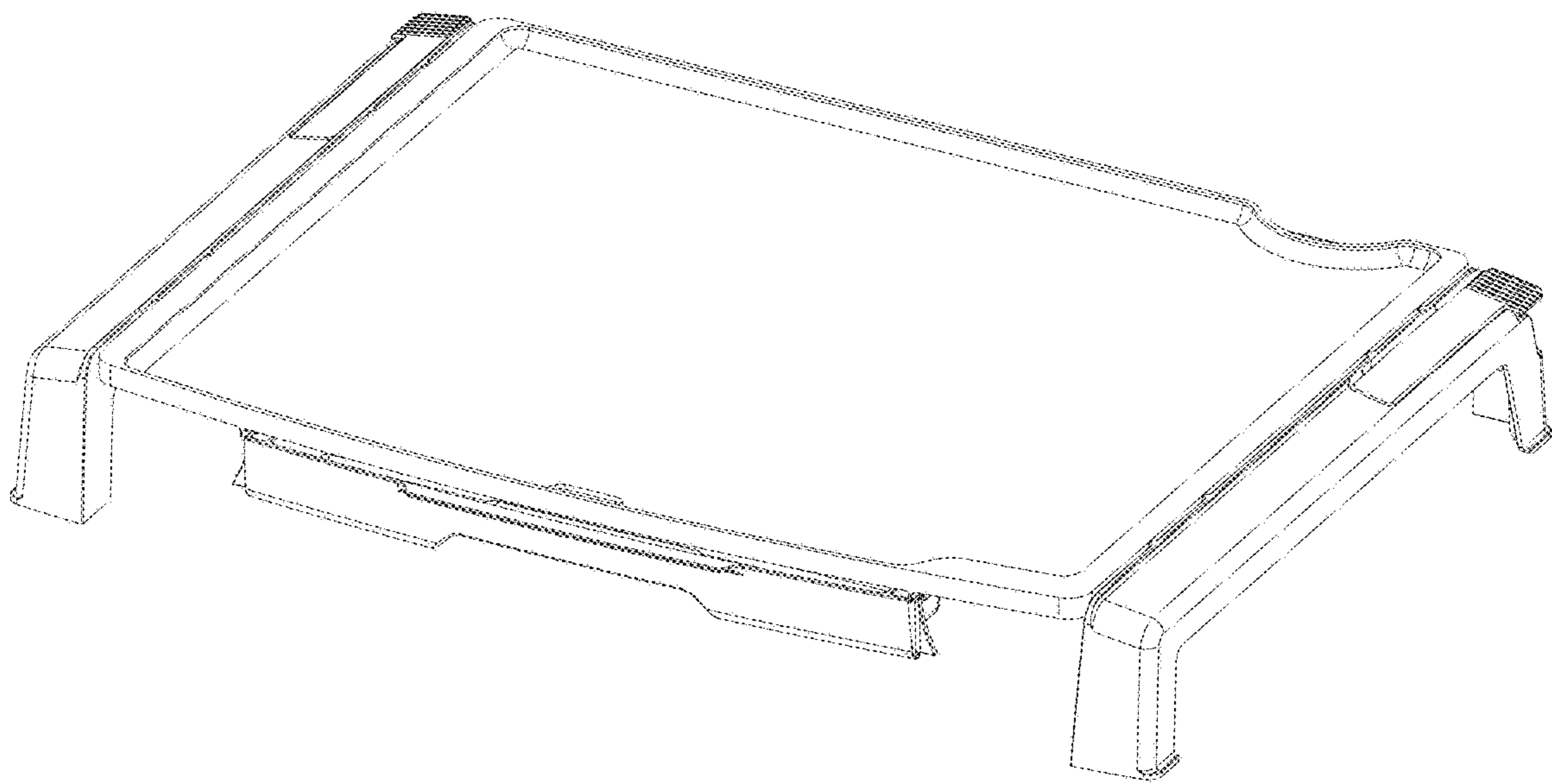


FIG. 1

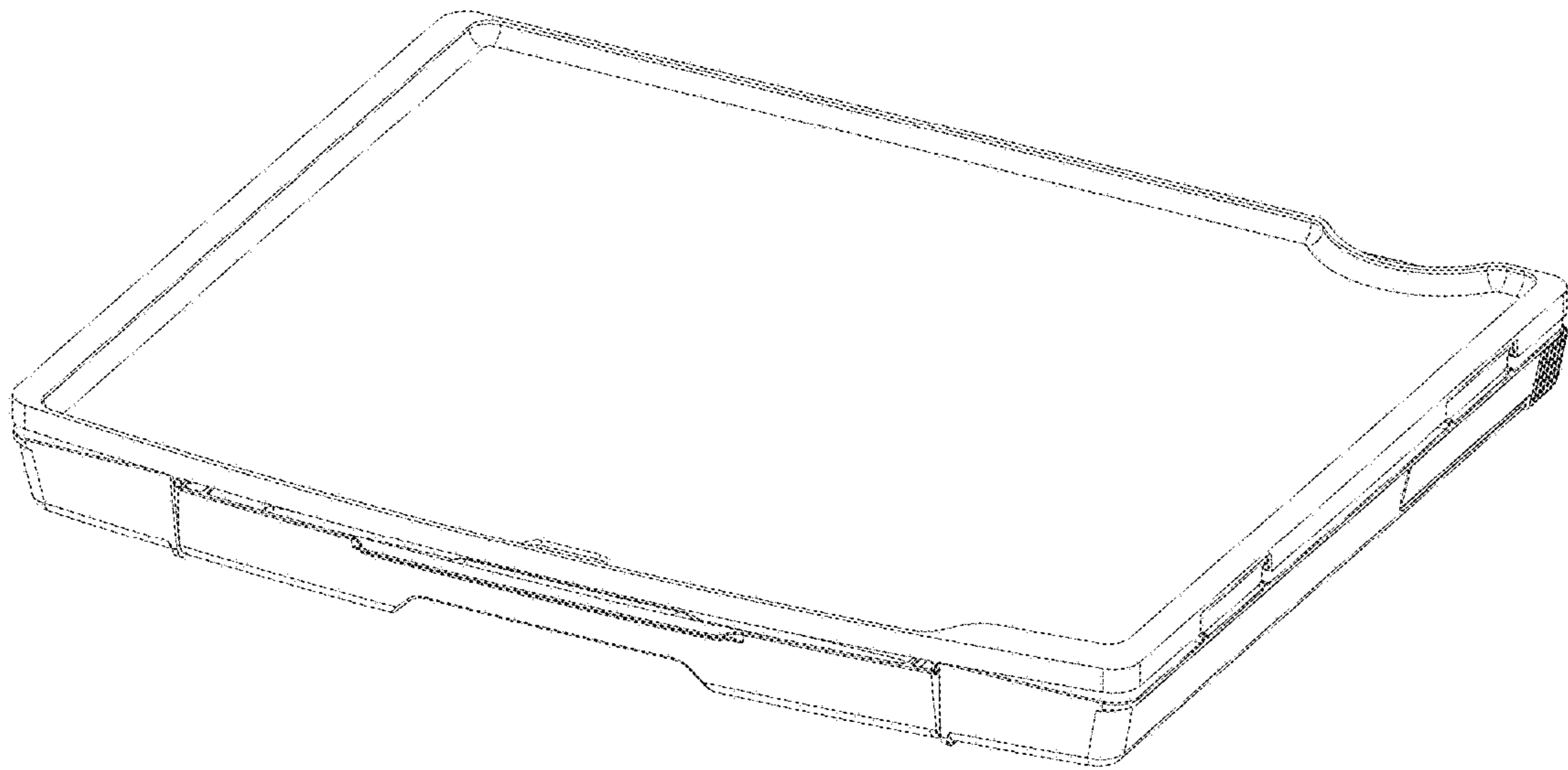


FIG.2

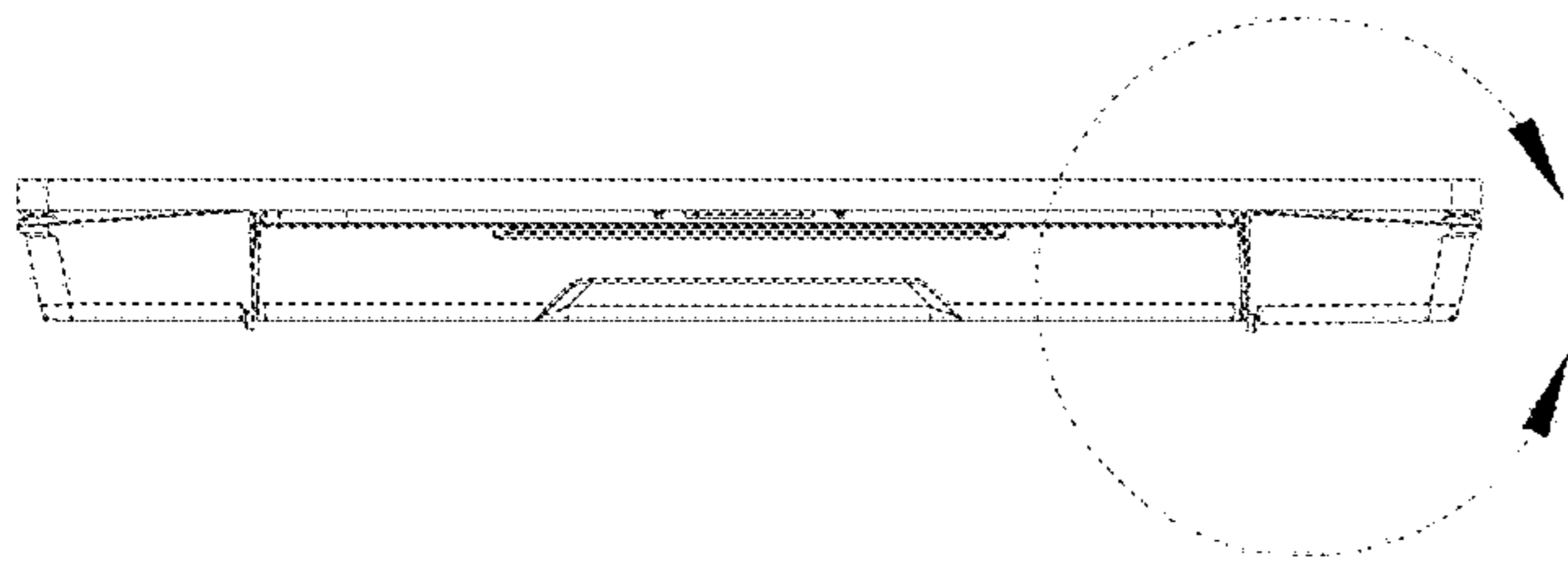


FIG. 3

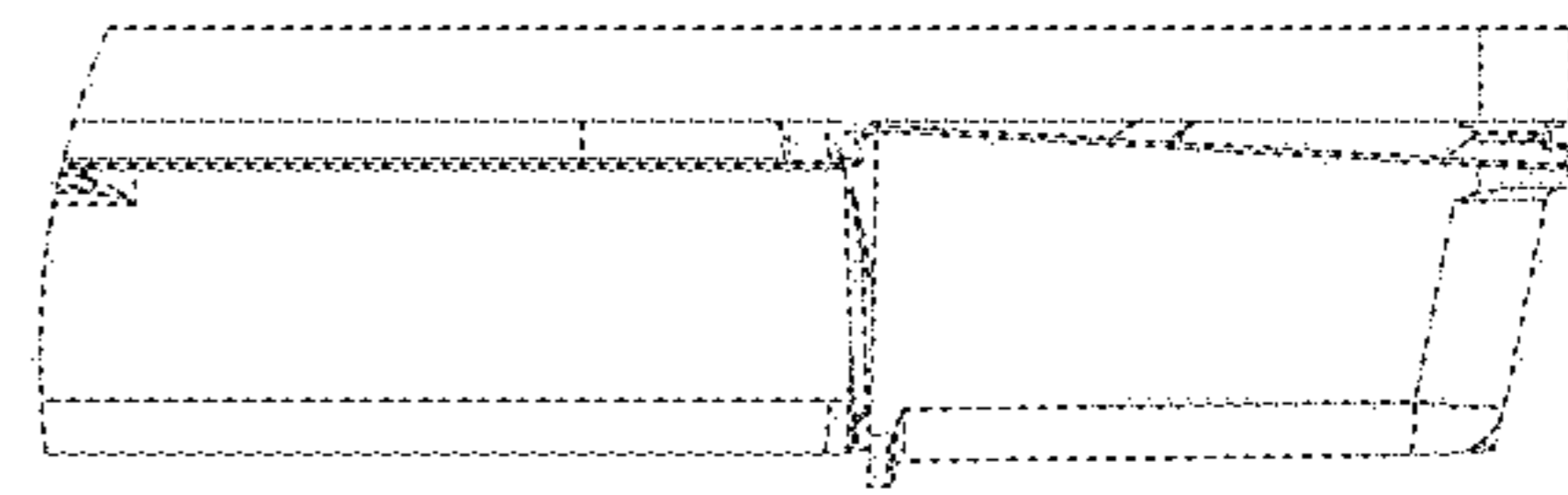


FIG. 4

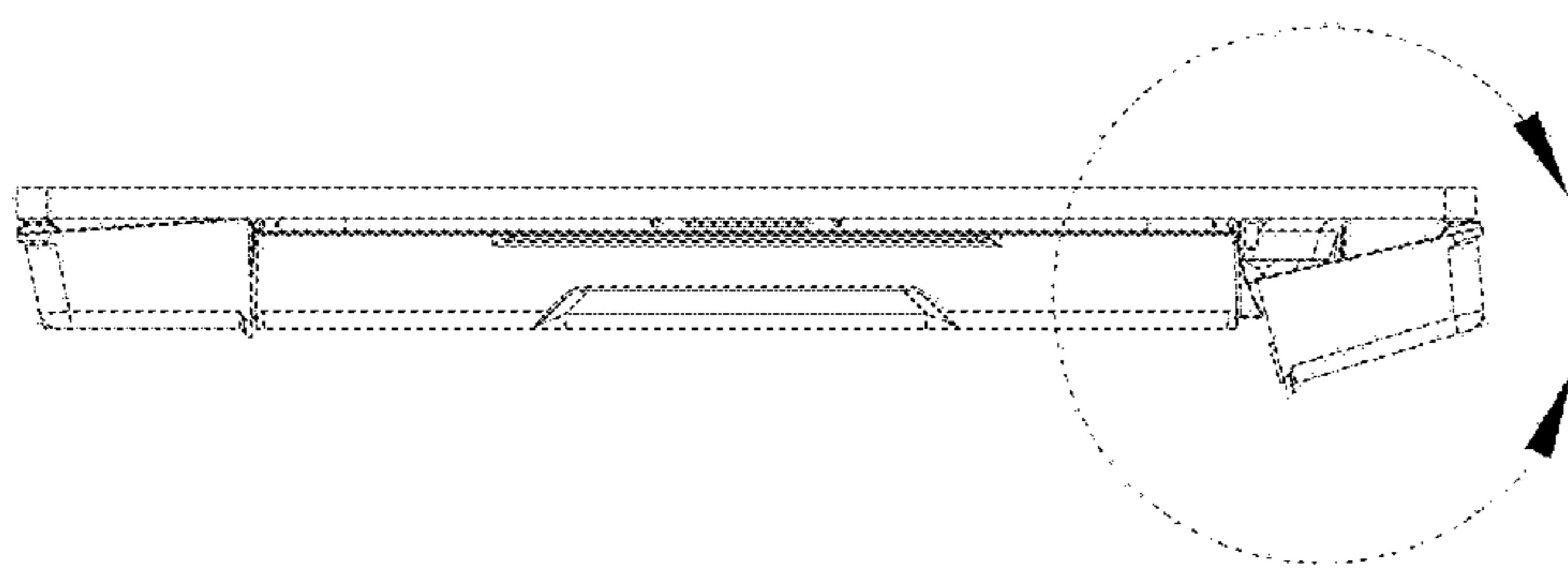


FIG. 5

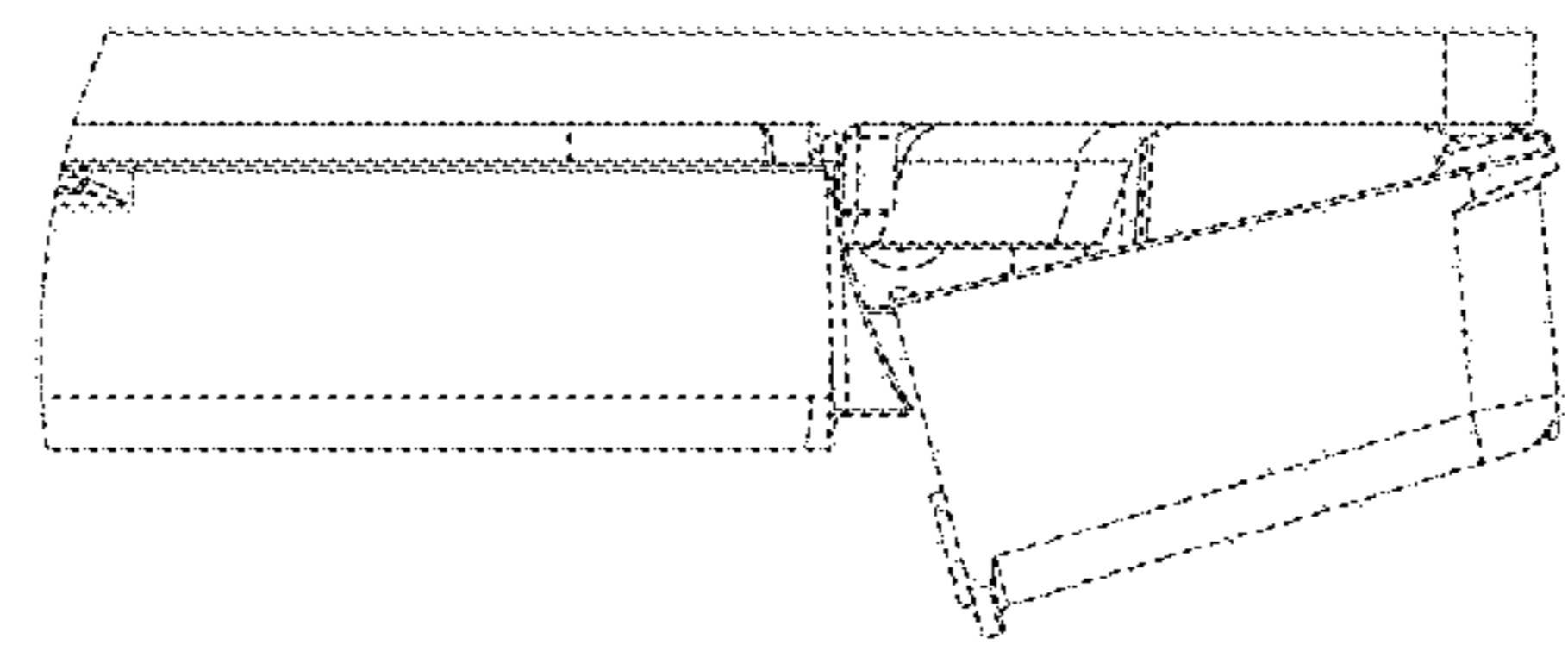


FIG. 6

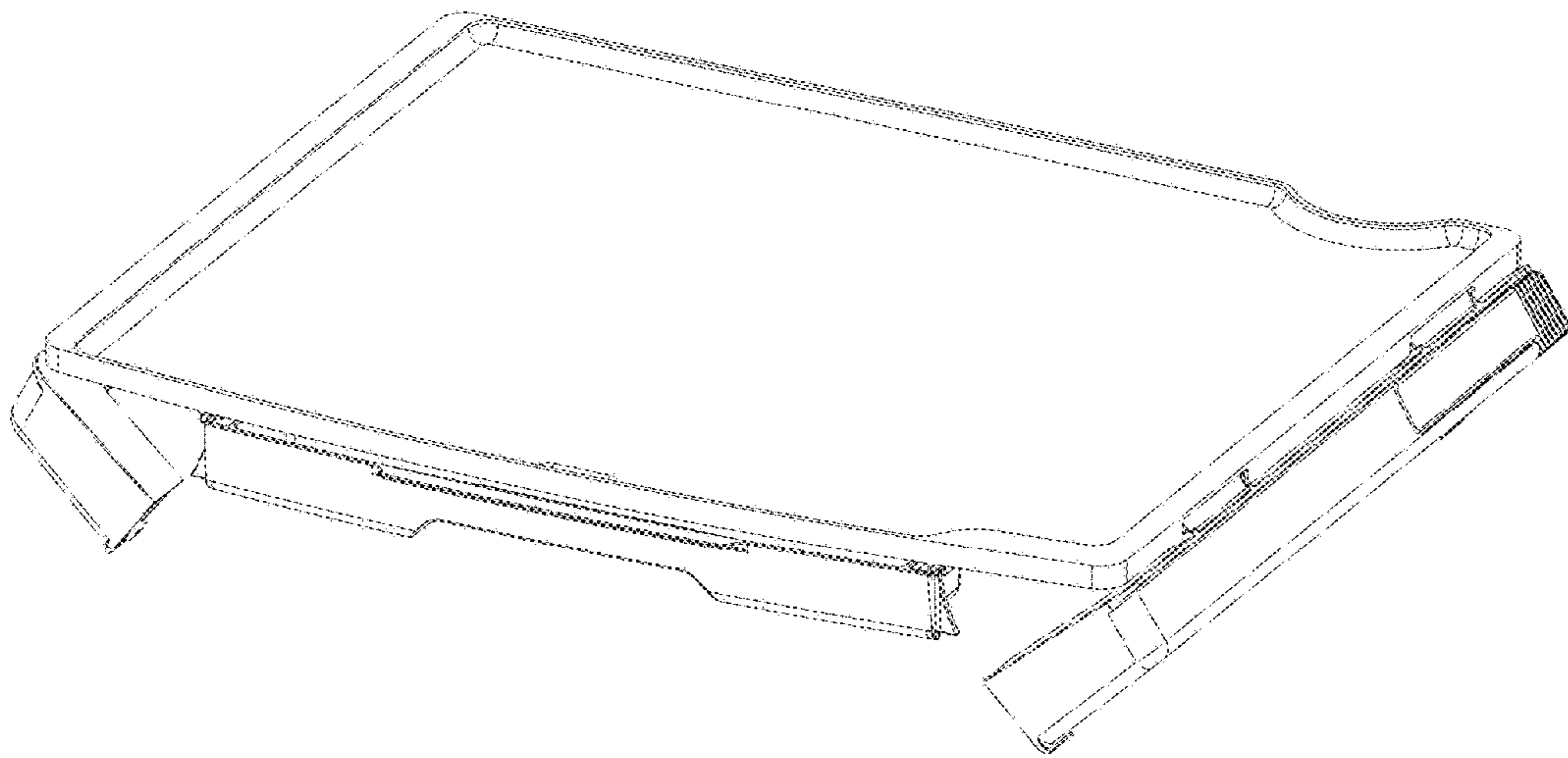


FIG. 7

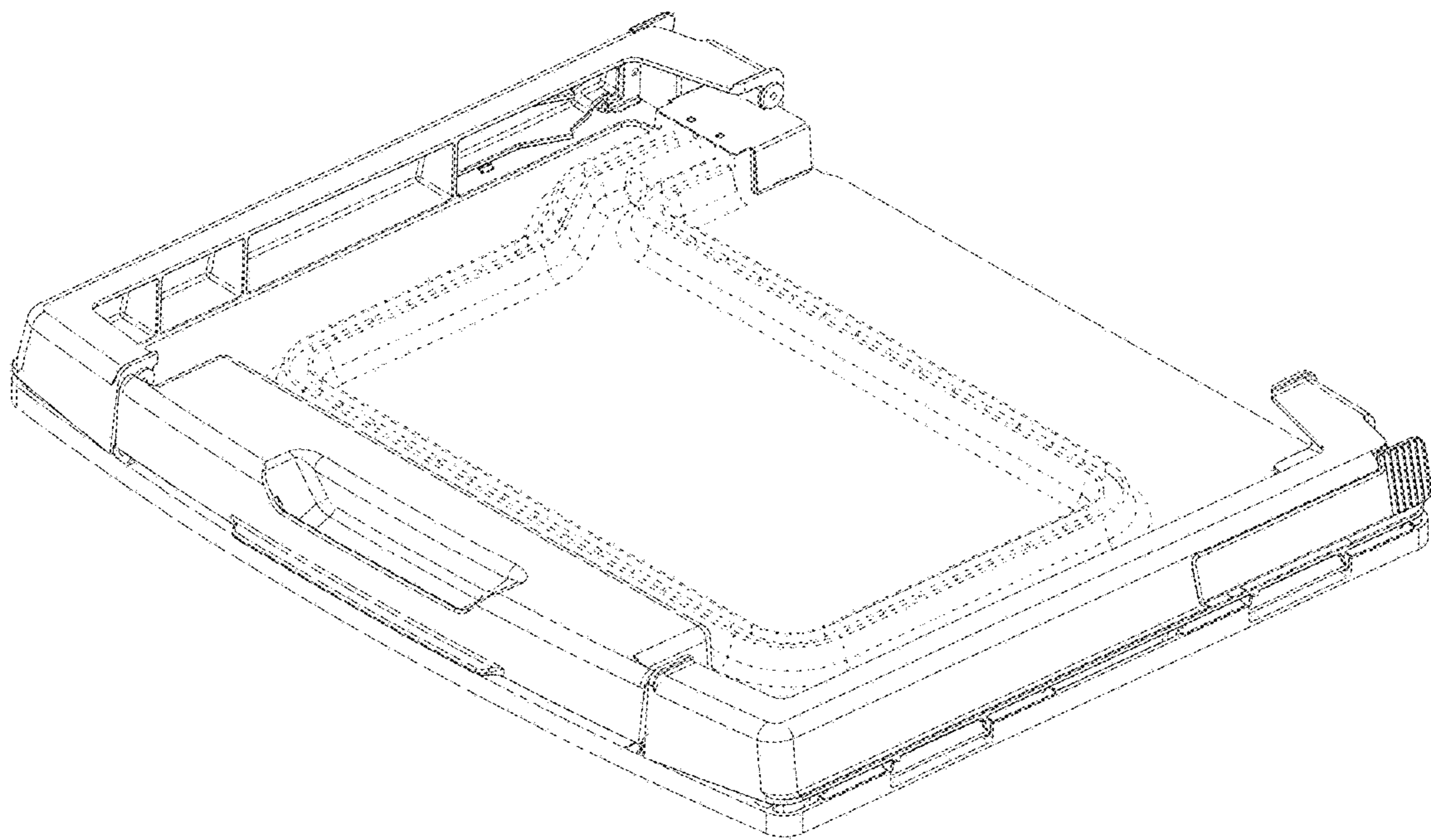


FIG. 8



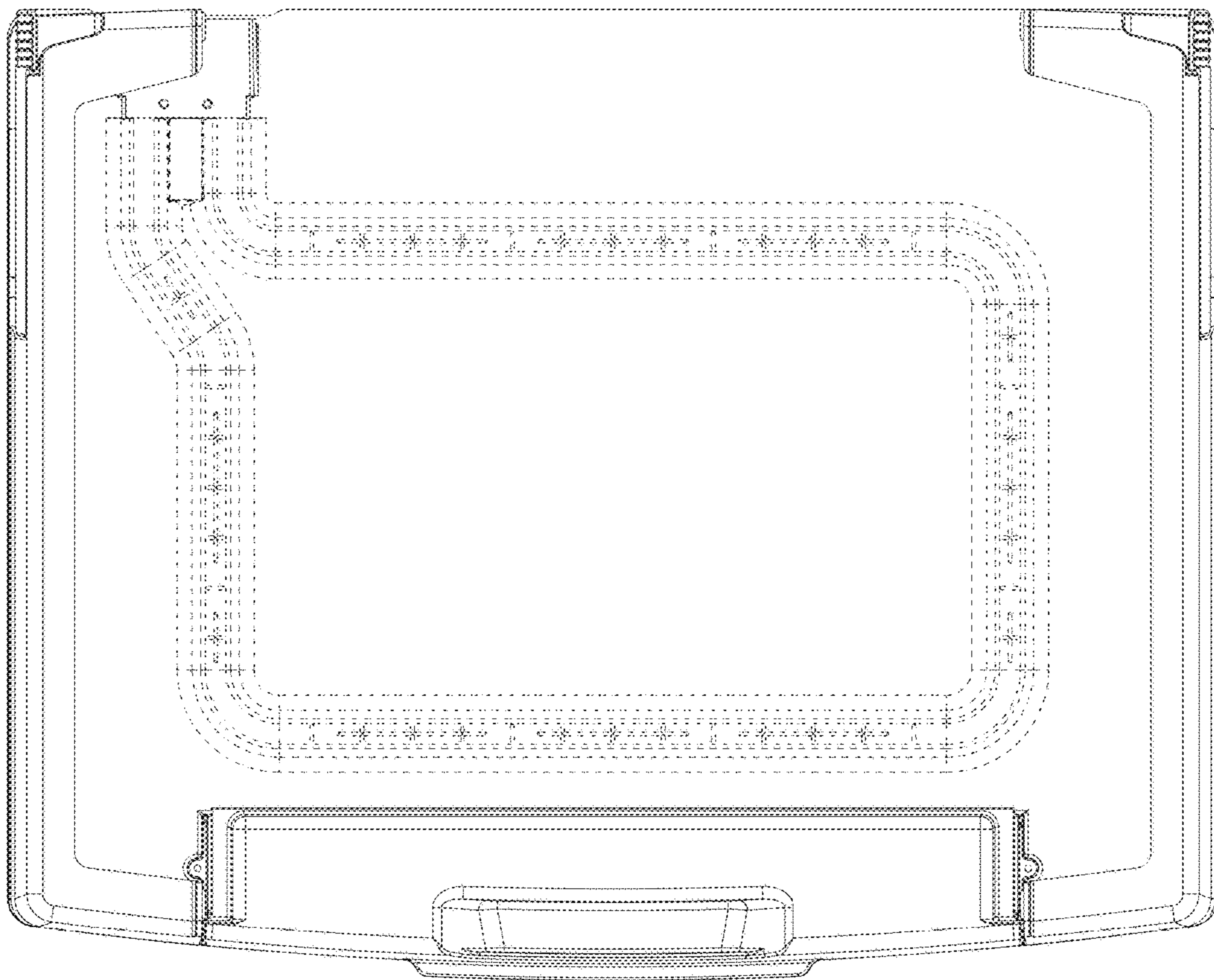


FIG. 9

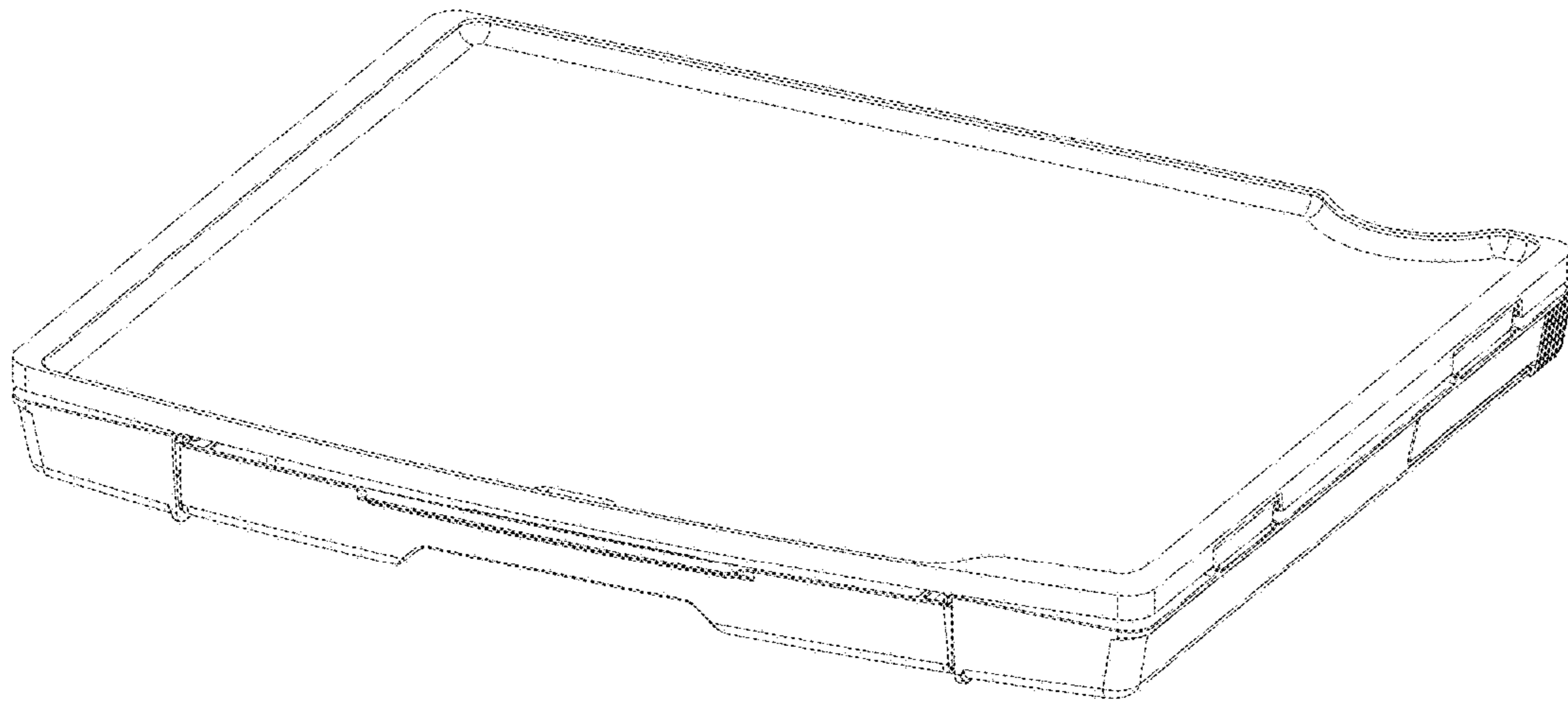


FIG. 10

UNITED STATES PATENT AND TRADEMARK OFFICE  
**CERTIFICATE OF CORRECTION**

PATENT NO. : D823,047 S  
APPLICATION NO. : 29/569399  
DATED : July 17, 2018  
INVENTOR(S) : Justun Seymour

Page 1 of 1

It is certified that error appears in the above-identified patent and that said Letters Patent is hereby corrected as shown below:

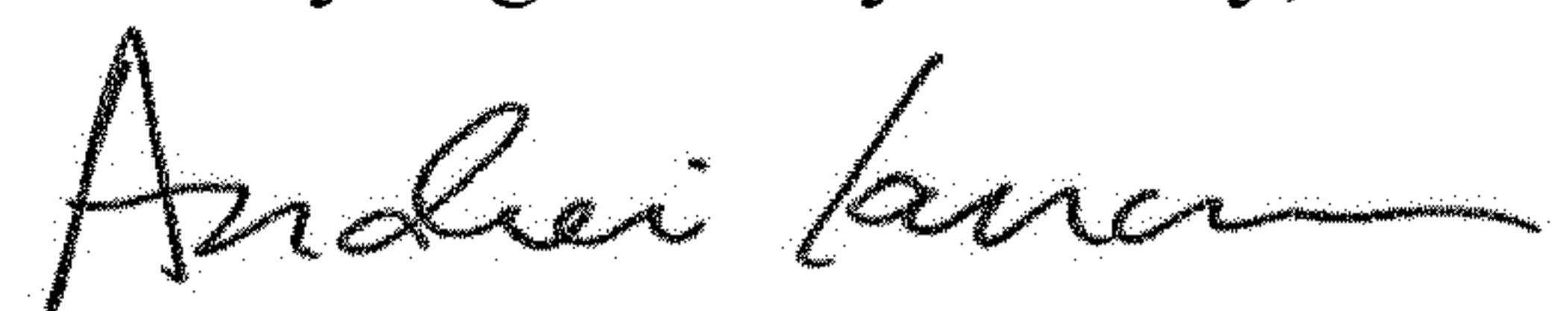
On the Title Page

In item (73), in "Assignee", in Column 1, Line 1, delete "Industires," and insert --Industries,-- therefor

In Column 2, under "Description", Line 4, delete "thereof," and insert --thereof;-- therefor

In Column 2, under "Description", Line 21, delete "in in" and insert --in-- therefor

Signed and Sealed this  
Twenty-eighth Day of May, 2019



Andrei Iancu  
*Director of the United States Patent and Trademark Office*