



US00D823046S

(12) **United States Design Patent** (10) **Patent No.:** **US D823,046 S**  
**Mattei et al.** (45) **Date of Patent:** **\*\* Jul. 17, 2018**

(54) **MICROWAVE OVEN ACCESSORY**

(56) **References Cited**

(71) Applicant: **SNIPS S.R.L.**, Ossago Lodigiano (Lodi) (IT)

U.S. PATENT DOCUMENTS

(72) Inventors: **Maurizio Mattei**, Recanati (IT);  
**Nicoletta Carella**, Recanati (IT)

D280,969 S *	10/1985	Schrage .....	D7/354
D376,314 S *	12/1996	Krupa .....	D9/425
D392,881 S *	3/1998	Bulcher .....	D7/602
D461,123 S *	8/2002	Hayes .....	D9/425
D469,315 S *	1/2003	Thonis .....	D7/602
D502,046 S *	2/2005	Isler .....	D7/354
D611,303 S *	3/2010	Cimmerer .....	B65D 21/022 D7/538
D615,821 S *	5/2010	Stamper .....	D7/538
D647,790 S *	11/2011	Lopez .....	D9/429
D675,919 S *	2/2013	Krueger .....	D9/432
D688,551 S *	8/2013	Wahl .....	D7/602

(73) Assignee: **SNIPS S.R.L.**, Ossago Lodigiano (IT)

(\*\*) Term: **15 Years**

(21) Appl. No.: **29/592,096**

(22) Filed: **Jan. 26, 2017**

\* cited by examiner

(30) **Foreign Application Priority Data**

Jul. 27, 2016 (EM) ..... 003321082-0004

*Primary Examiner* — Ricky Pham

(74) *Attorney, Agent, or Firm* — Pearne & Gordon LLP

(51) **LOC (11) Cl.** ..... **07-02**

(57) **CLAIM**

(52) **U.S. Cl.**  
USPC ..... **D7/354**

The ornamental design for a microwave oven accessory, as shown and described.

(58) **Field of Classification Search**

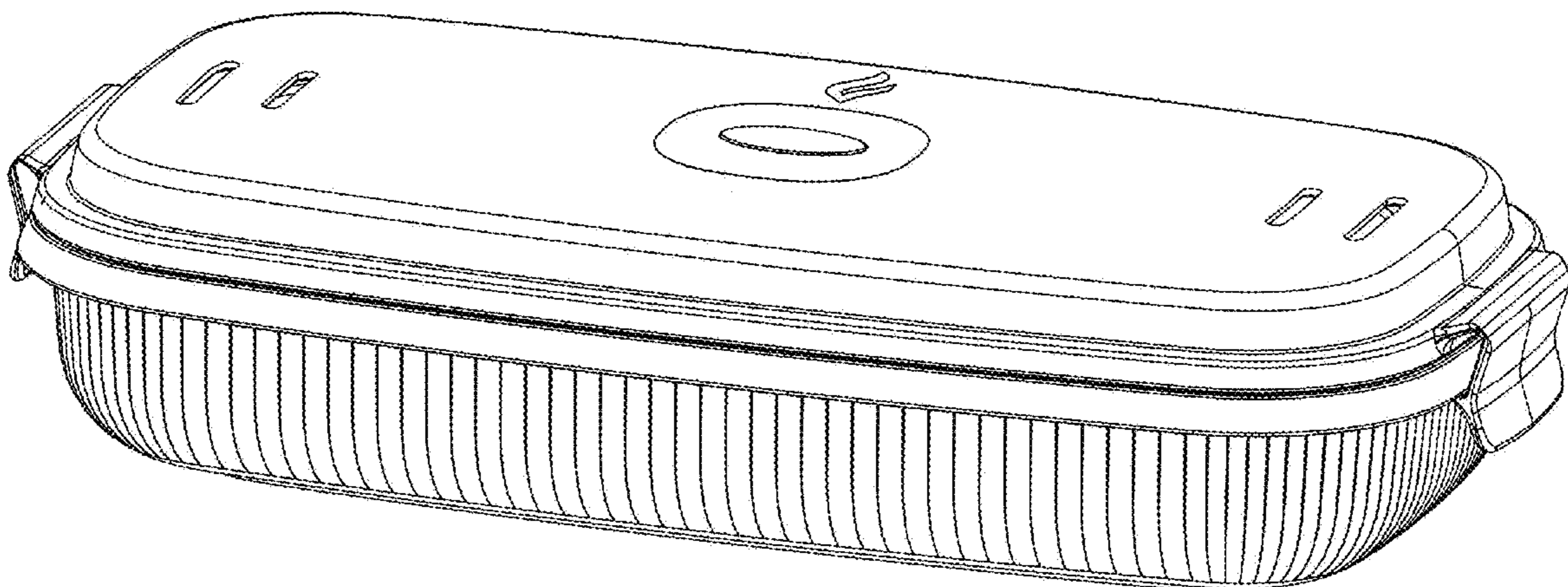
**DESCRIPTION**

USPC ..... D7/323, 354–363, 391, 392, 392.1, 393,  
D7/397, 601–602, 629–630, 538–542;  
D9/414, 424–432, 435, 451–452  
CPC ..... A47J 36/027; A47J 36/06; A47J 37/10;  
A47J 37/101; B65D 21/0209; B65D  
43/00; B65D 43/02; B65D 43/0206;  
B65D 43/022; B65D 43/161; B65D  
43/162; B65D 45/00; B65D 45/16; B65D  
45/18; B65D 51/16; B65D 51/1683;  
B65D 51/1688; B65D 51/1694; B65D  
2251/00; B65F 1/1615

FIG. 1 is a perspective view of a microwave oven accessory, showing our new design;  
 FIG. 2 is a top view thereof;  
 FIG. 3 is a bottom view thereof;  
 FIG. 4 is a front view thereof;  
 FIG. 5 is a back view thereof; and,  
 FIG. 6 is an enlarged right side view thereof; the left side view being a mirror image thereof.

See application file for complete search history.

**1 Claim, 6 Drawing Sheets**



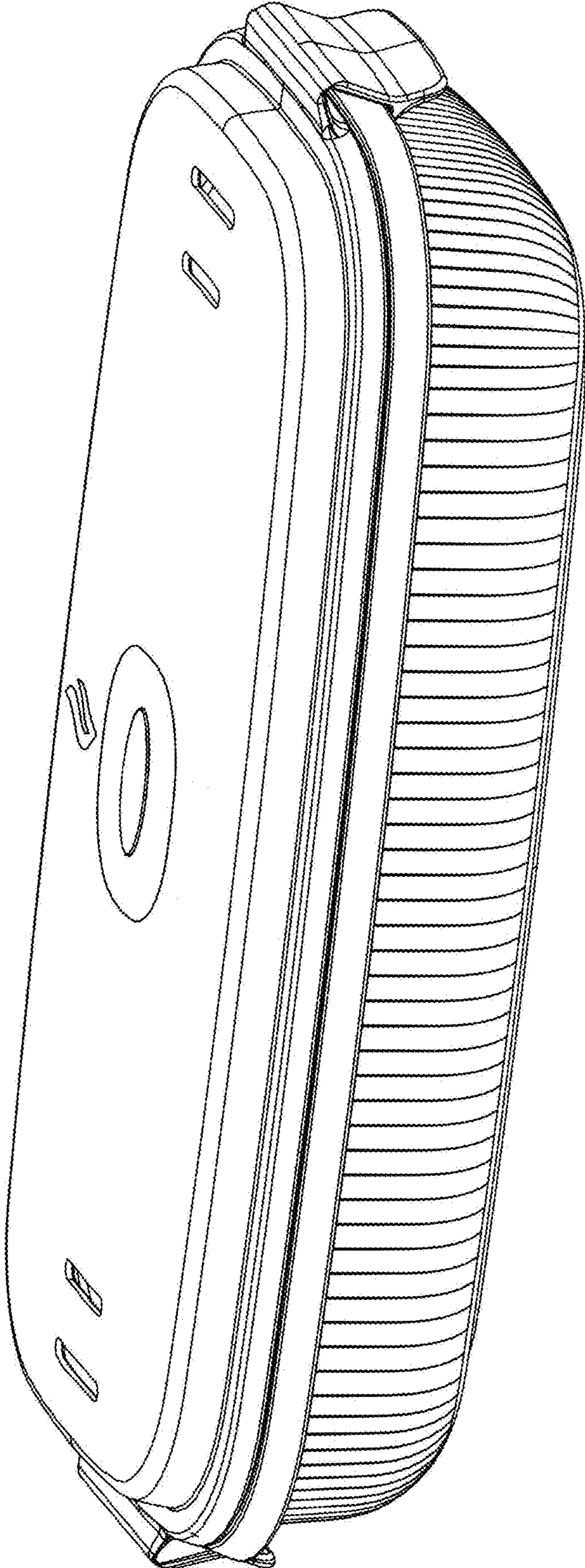


FIG. 1



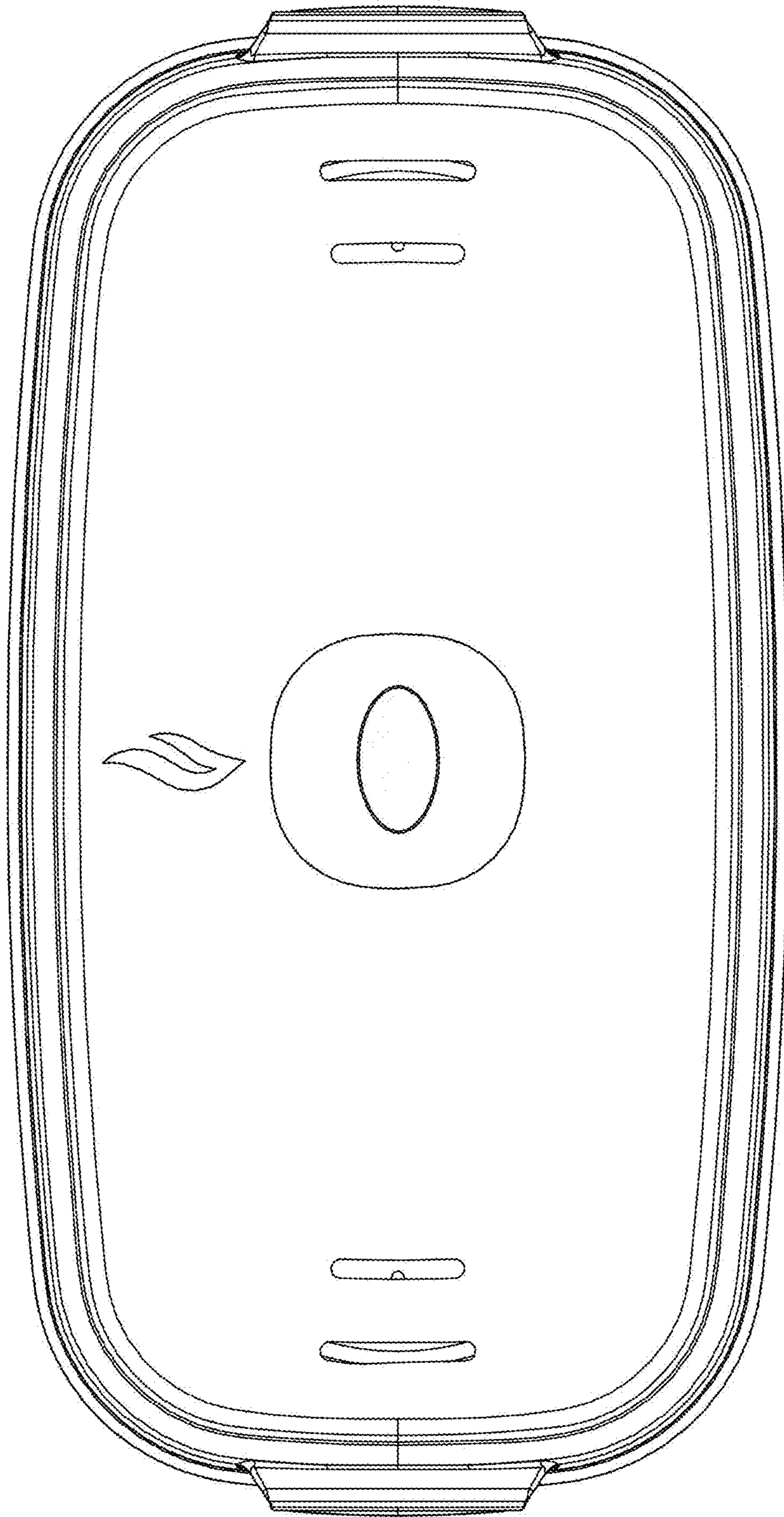


FIG. 2

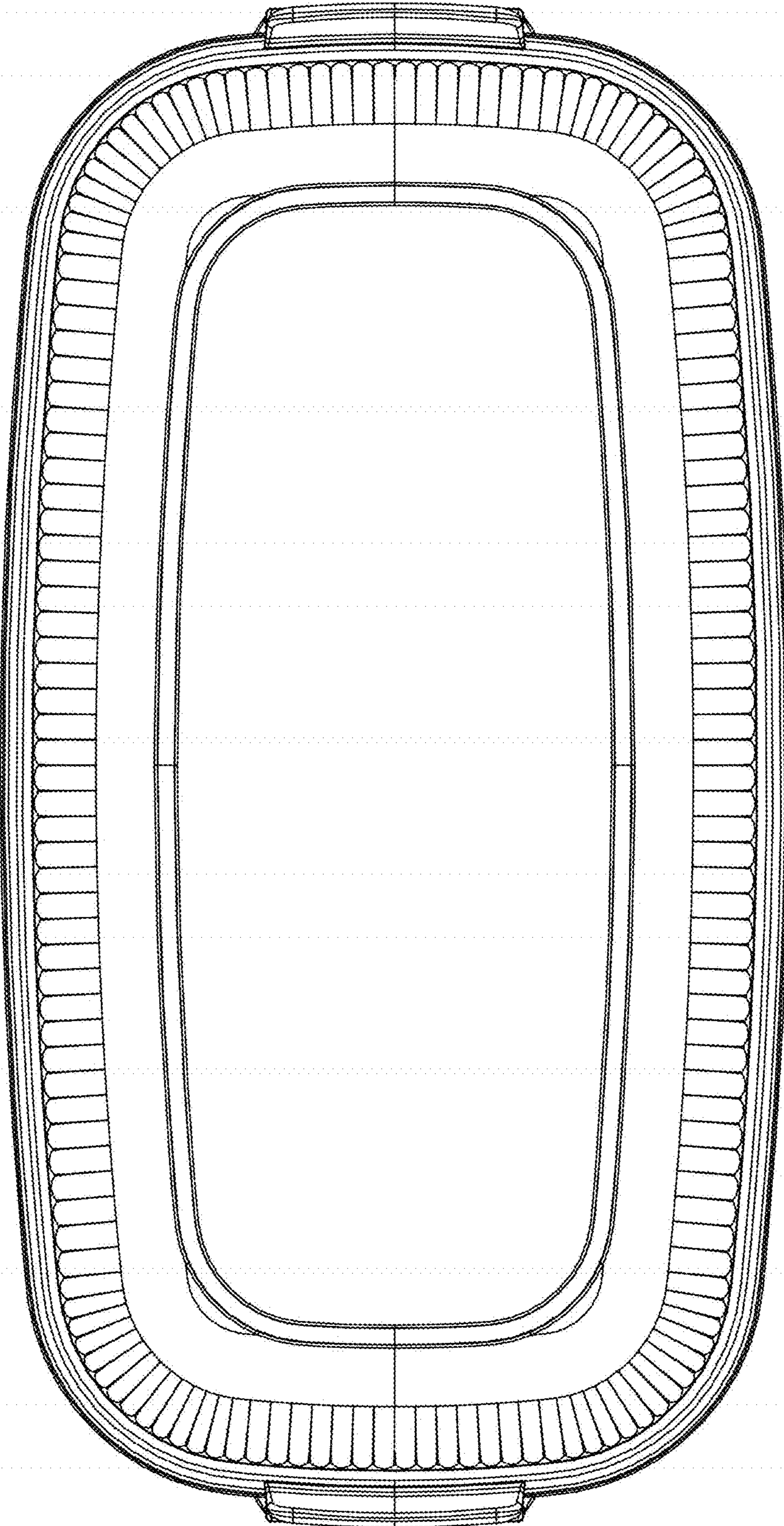


FIG. 3



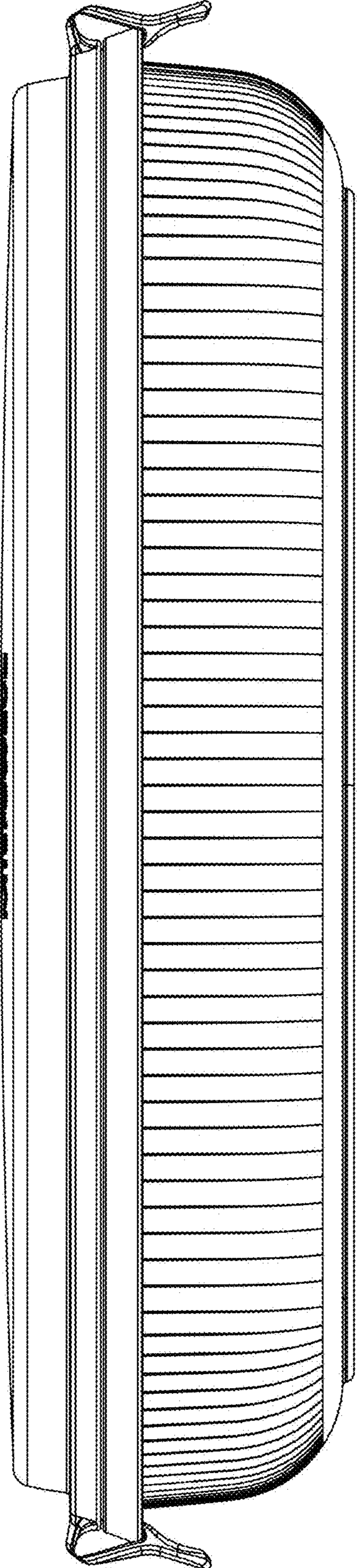


FIG. 4

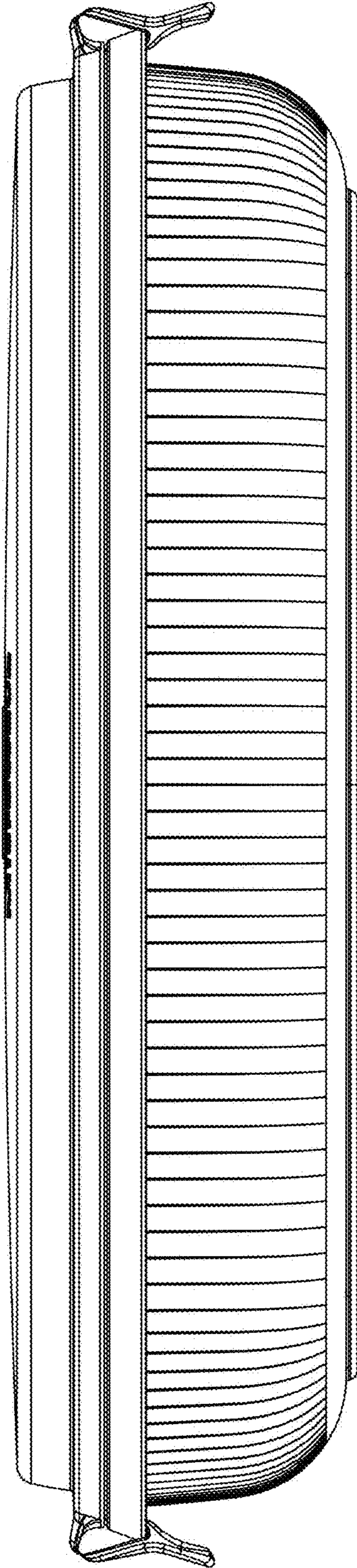


FIG. 5



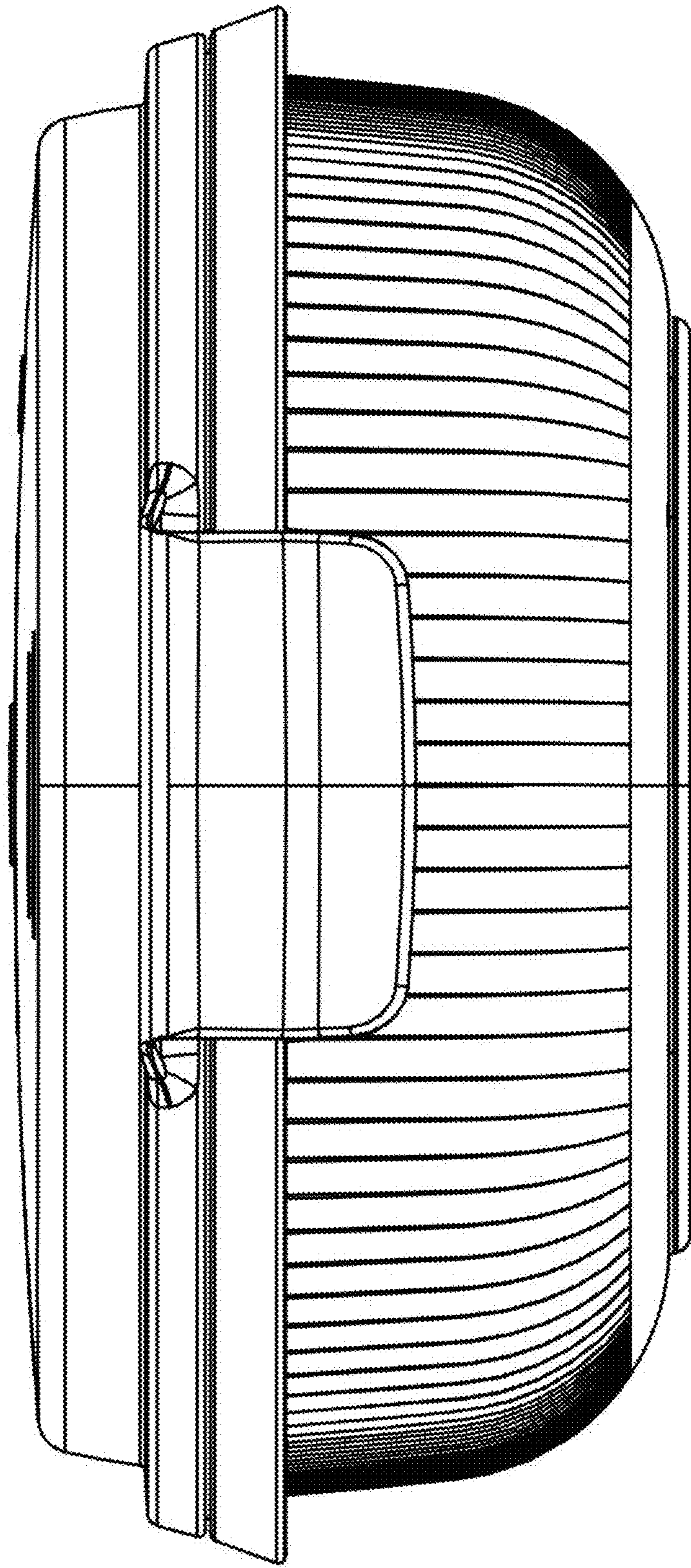


FIG. 6