



US00D823043S

(12) **United States Design Patent**
Jeon et al.

(10) **Patent No.:** **US D823,043 S**
(45) **Date of Patent:** **** Jul. 17, 2018**

(54) **ELECTRIC OVEN**
(71) Applicant: **Samsung Electronics Co., Ltd.**,
Suwon-si (KR)

D612,209 S * 3/2010 Crookshanks D7/405
D645,702 S * 9/2011 Baacke D7/405
D709,726 S * 7/2014 Borjesson D7/349
D755,007 S * 5/2016 Lee D7/405

(72) Inventors: **Jongsu Jeon**, Seongnam-si (KR);
Jaejun Kim, Seoul (KR); **Hyeongju Seo**, Seoul (KR); **Hwanwoong Choi**,
Seoul (KR)

FOREIGN PATENT DOCUMENTS

EM 0006217270001 11/2006
JP D1257236 S 12/2005
JP D1275404 S 6/2006
KR 300577576 S 11/2010

(73) Assignee: **SAMSUNG ELECTRONICS CO., LTD.**, Gyeonggi-Do (KR)

OTHER PUBLICATIONS

(**) Term: **15 Years**

A Savory Feast; "Pesto and Goat Cheese Stuffed Chicken"; Published: Jun. 18, 2015; URL Accessed: <http://www.asavoryfeast.com/pesto-and-goat-cheese-stuffed-chicken/>; 11 Pages.

(21) Appl. No.: **29/601,682**

(22) Filed: **Apr. 25, 2017**

* cited by examiner

(30) **Foreign Application Priority Data**

Primary Examiner — Freda S Nunn

Oct. 26, 2016 (KR) 30-2016-0051422

(74) *Attorney, Agent, or Firm* — Cantor Colburn LLP

(51) **LOC (11) Cl.** **07-02**

(57) **CLAIM**

(52) **U.S. Cl.**
USPC **D7/339**

The ornamental design for an electric oven, as shown and described.

(58) **Field of Classification Search**
USPC D7/339–341, 344, 346–349, 352, 362,
D7/363, 402, 405–409; D8/311, 312;
99/324, 325, 330–339, 342, 403
See application file for complete search history.

DESCRIPTION

(56) **References Cited**

U.S. PATENT DOCUMENTS

D164,926 S * 10/1951 Hitchcock D7/340
3,924,601 A * 12/1975 Nuss F24C 15/006
126/21 R
D341,989 S * 12/1993 Wright D7/349
D555,975 S * 11/2007 Pino D7/405
D560,958 S * 2/2008 Shin D7/348
D572,528 S * 7/2008 Crookshanks F24C 15/006
D7/405
D611,294 S * 3/2010 Busalt D7/349

FIG. 1 is a perspective view of an electric oven, showing our new design;
FIG. 2 is a front view thereof;
FIG. 3 is a rear view thereof;
FIG. 4 is a side view thereof;
FIG. 5 is another side view thereof;
FIG. 6 is a top view thereof; and,
FIG. 7 is a bottom view thereof.
The dashed broken lines illustrating portions of the electric oven form no part of the claimed design. The long-dash, short-dash broken lines illustrate a boundary of the claimed design and form no part of the claimed design.

1 Claim, 7 Drawing Sheets

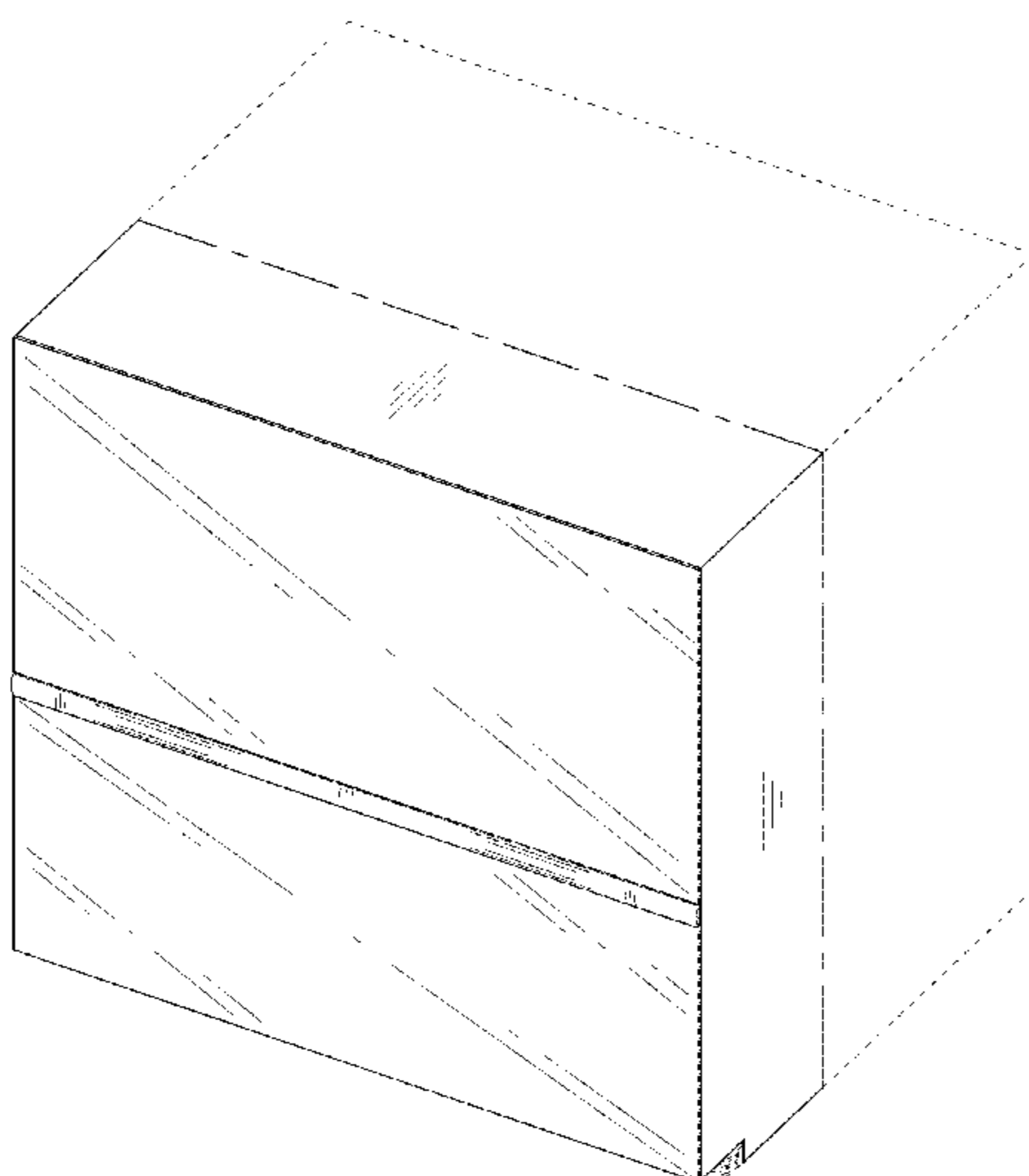


FIG. 1

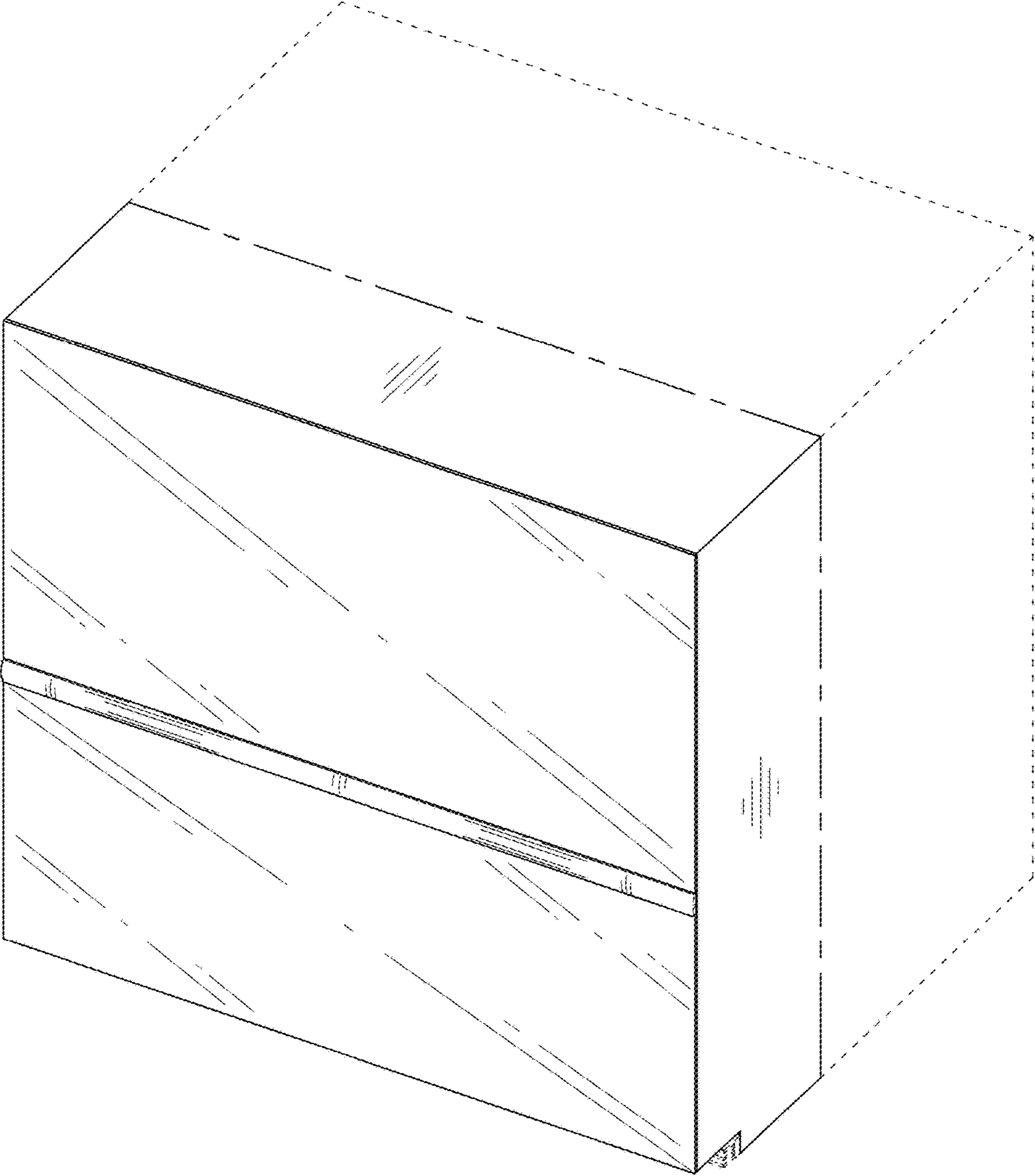


FIG. 2

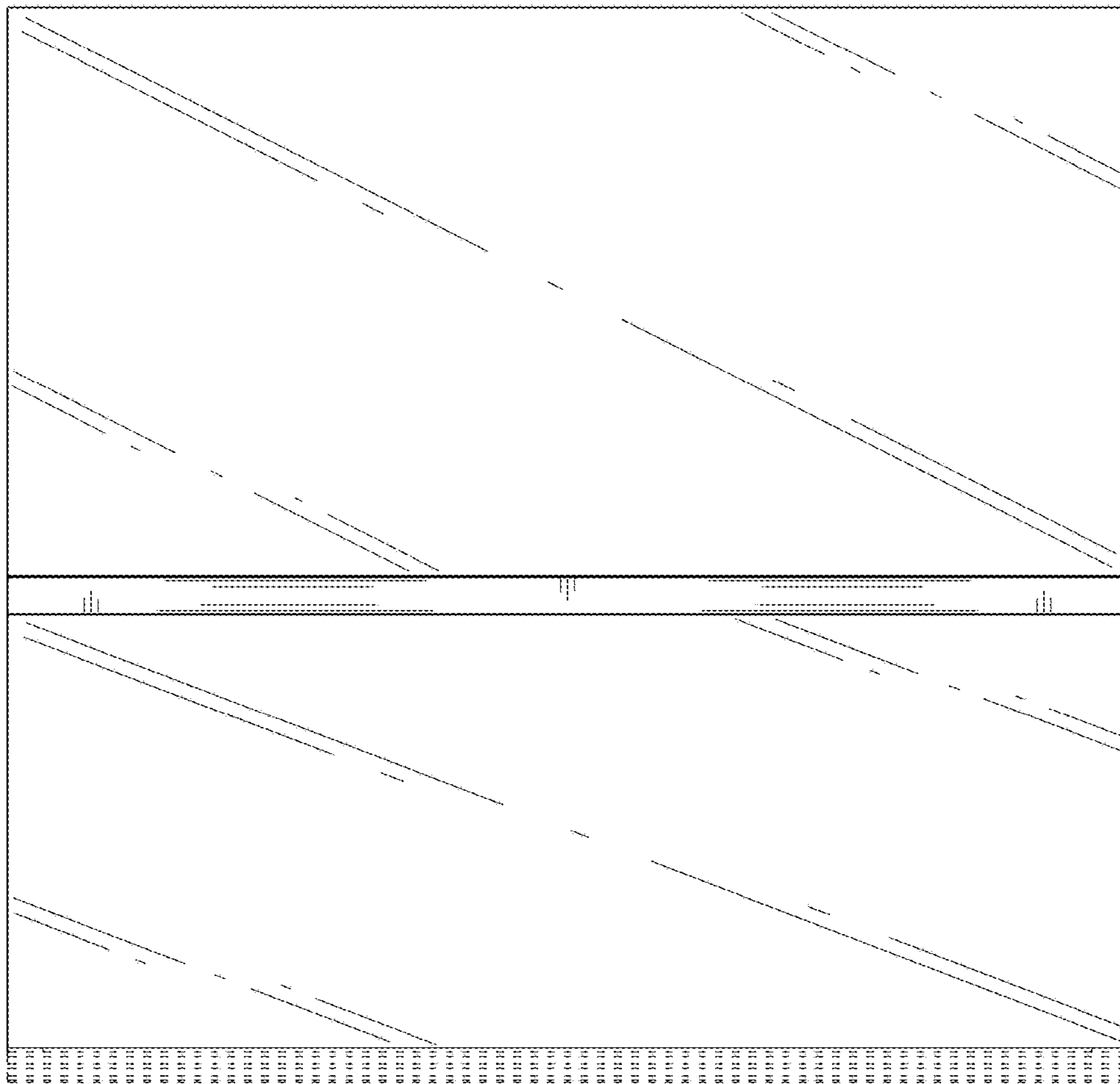


FIG. 3

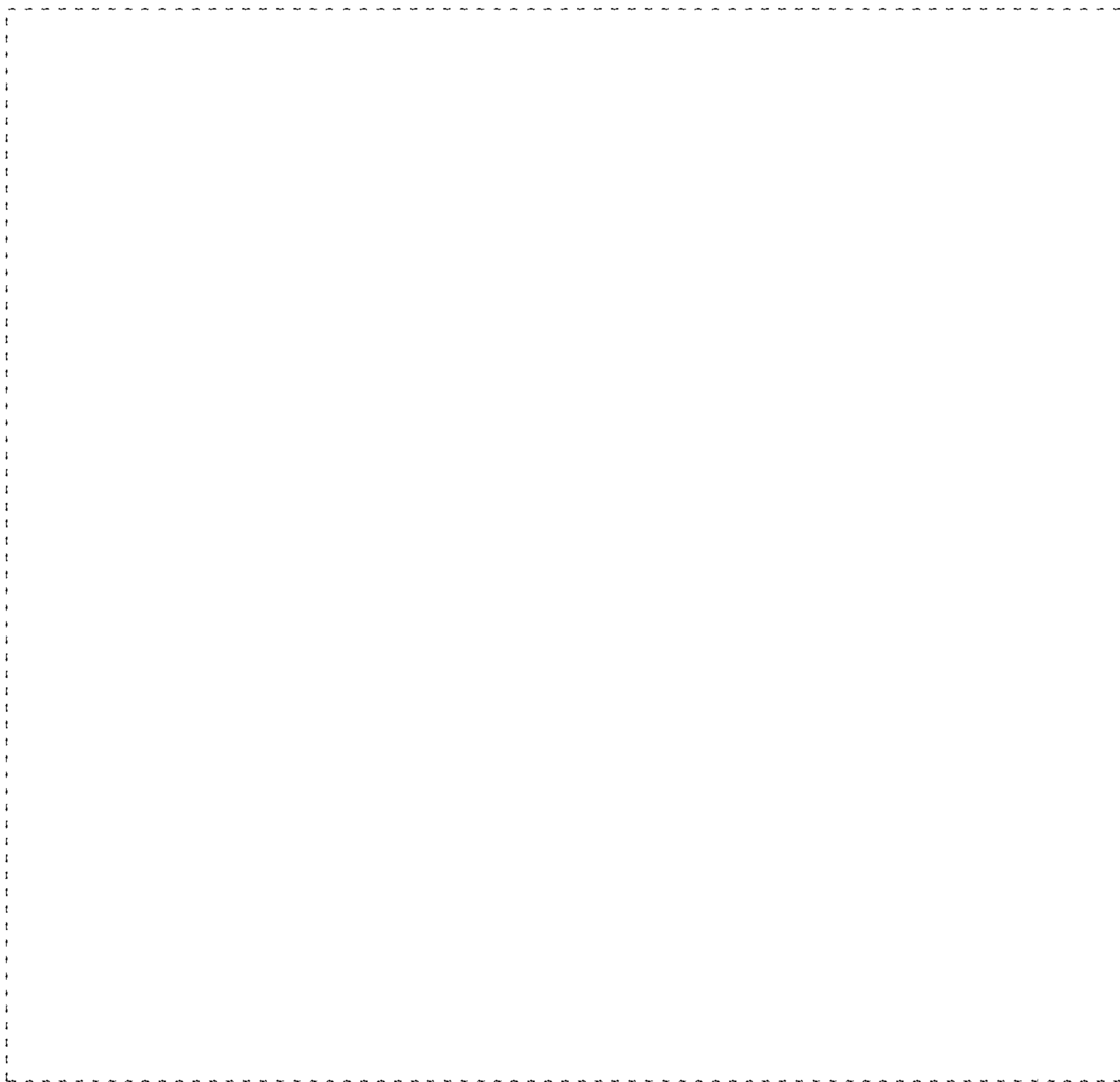


FIG. 4

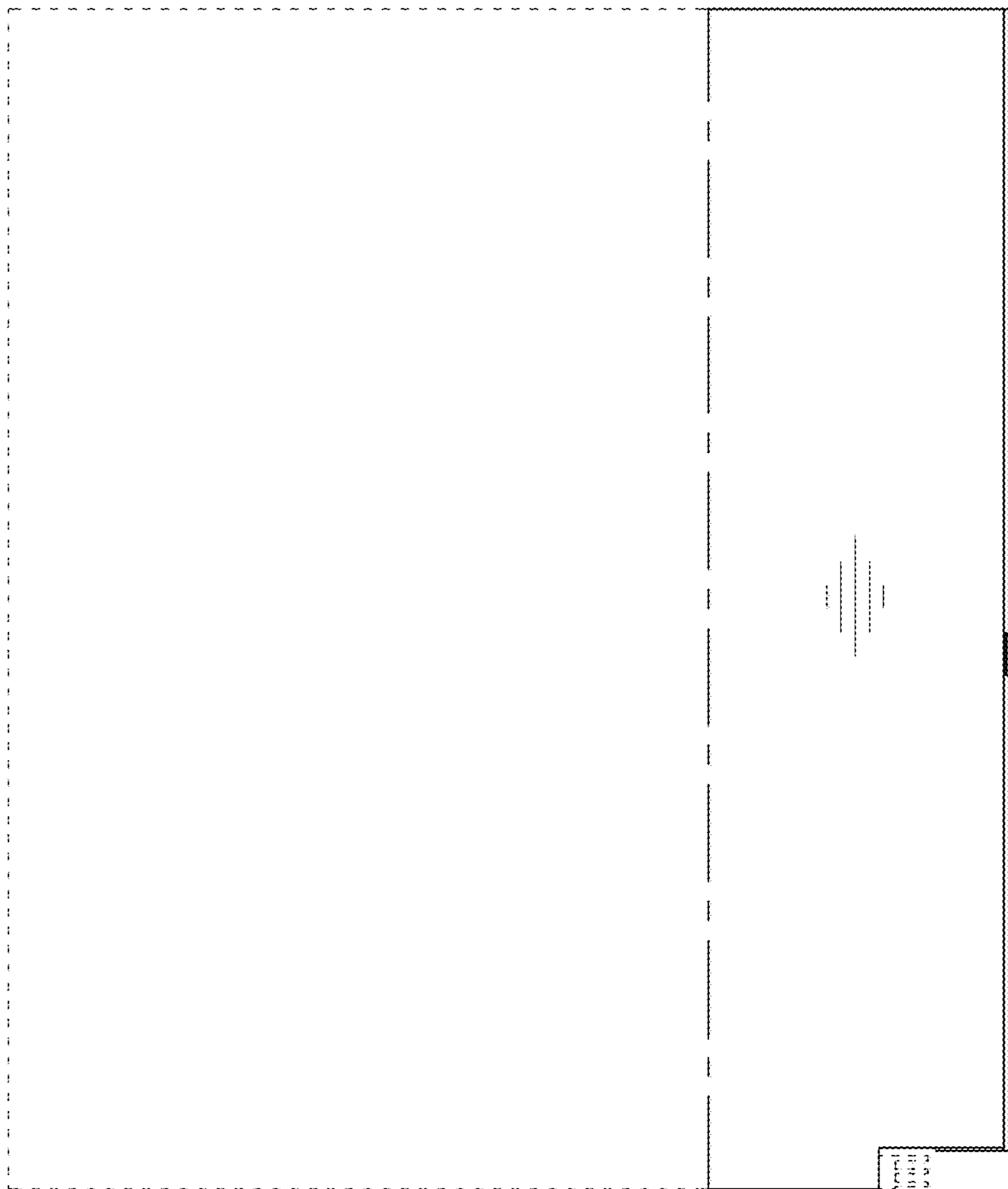


FIG. 5

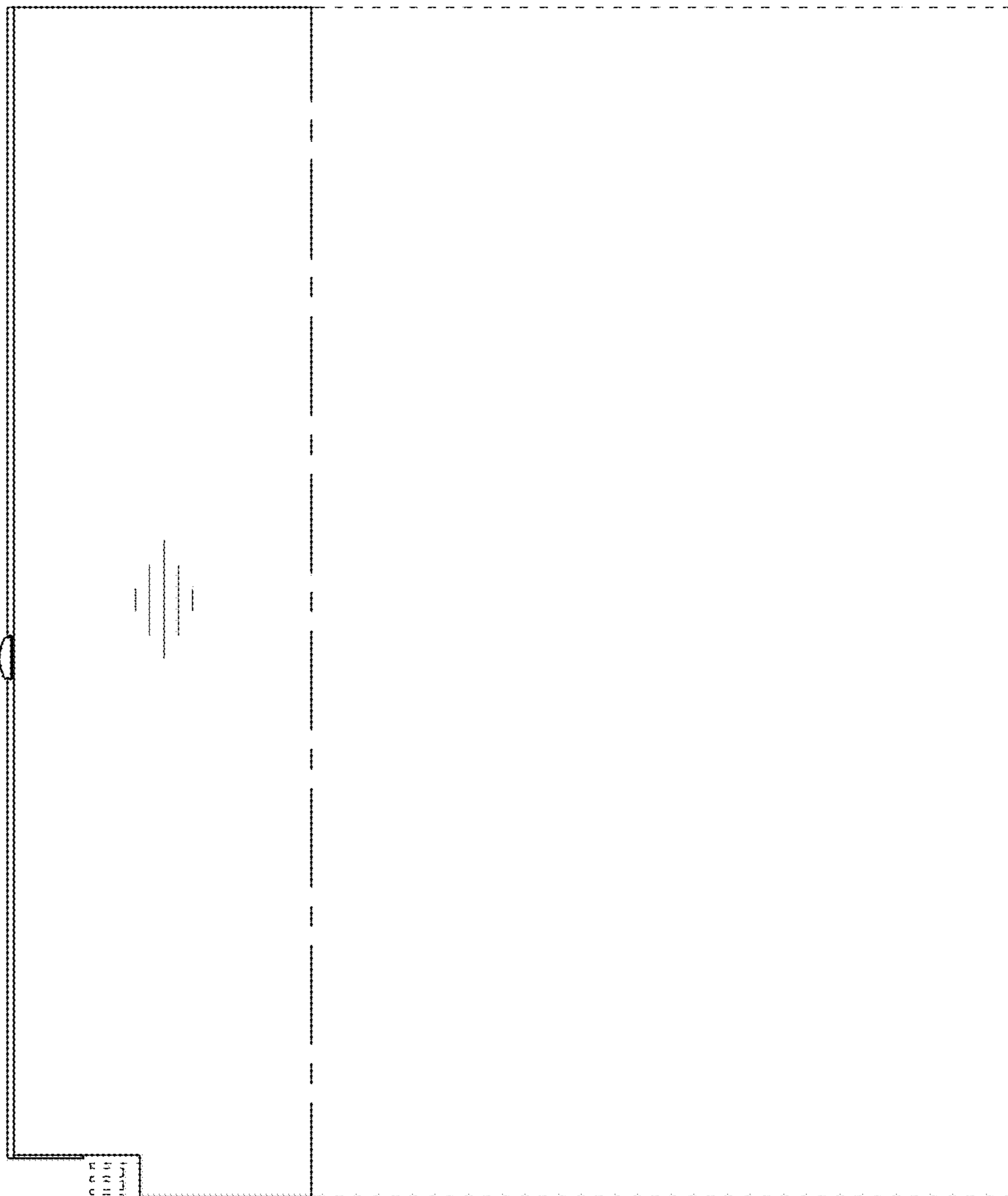


FIG. 6



FIG. 7

