



US00D823041S

(12) **United States Design Patent** (10) **Patent No.:** **US D823,041 S**
Bazzicalupo et al. (45) **Date of Patent:** **** Jul. 17, 2018**

(54) **ESPRESSO COFFEE MACHINE**

(71) Applicant: **SMEG S.P.A.**, Guastalla (IT)

(72) Inventors: **Leopoldo Bazzicalupo**, Sale Marasino (IT); **Raffaella Mangiarotti**, Milan (IT)

(73) Assignee: **SMEG S.P.A.** (IT)

(**) Term: **15 Years**

(21) Appl. No.: **35/502,474**

(22) Filed: **Oct. 7, 2016**

(80) **Hague Agreement Data**
 Int. Filing Date: **Oct. 7, 2016**
 Int. Reg. No.: **DM/094644**
 Int. Reg. Date: **Oct. 7, 2016**
 Int. Reg. Pub. Date: **Feb. 17, 2017**

(51) **LOC (11) Cl.** **07-01**

(52) **U.S. Cl.**
 USPC **D7/309**

(58) **Field of Classification Search**
 USPC **D7/308-309**
 CPC **A47J 31/44; A47J 31/4403; A47J 31/46; A47J 31/4482; A47J 31/369; A47J 31/407; A47J 31/10; A47J 31/467; A47J 31/0615; B67D 1/36; B67D 2210/0065; B67D 1/0864; B67D 3/0061**

See application file for complete search history.

(56) **References Cited**

U.S. PATENT DOCUMENTS

D390,742 S	*	2/1998	Sander	D7/309
D585,692 S	*	2/2009	Borin	D7/309
D728,986 S	*	5/2015	De'Longhi	D7/309
D730,674 S	*	6/2015	De'Longhi	D7/309
D771,993 S	*	11/2016	Cai	D7/309
D807,100 S	*	1/2018	De' Longhi	D7/309

* cited by examiner

Primary Examiner — Michael A. Pratt
 (74) *Attorney, Agent, or Firm* — The Belles Group, P.C.

(57) **CLAIM**

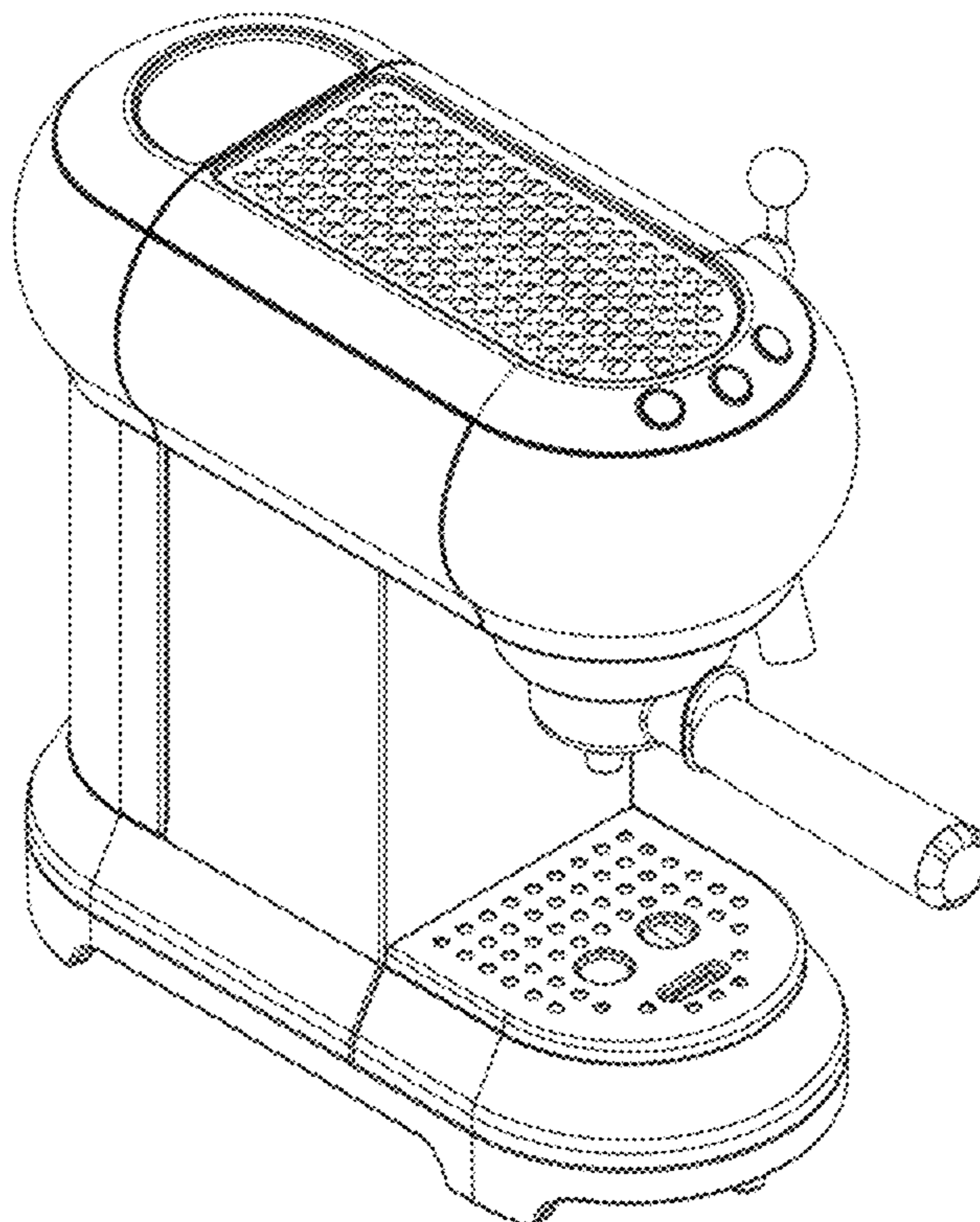
The ornamental design for a espresso coffee machine, as shown and described.

DESCRIPTION

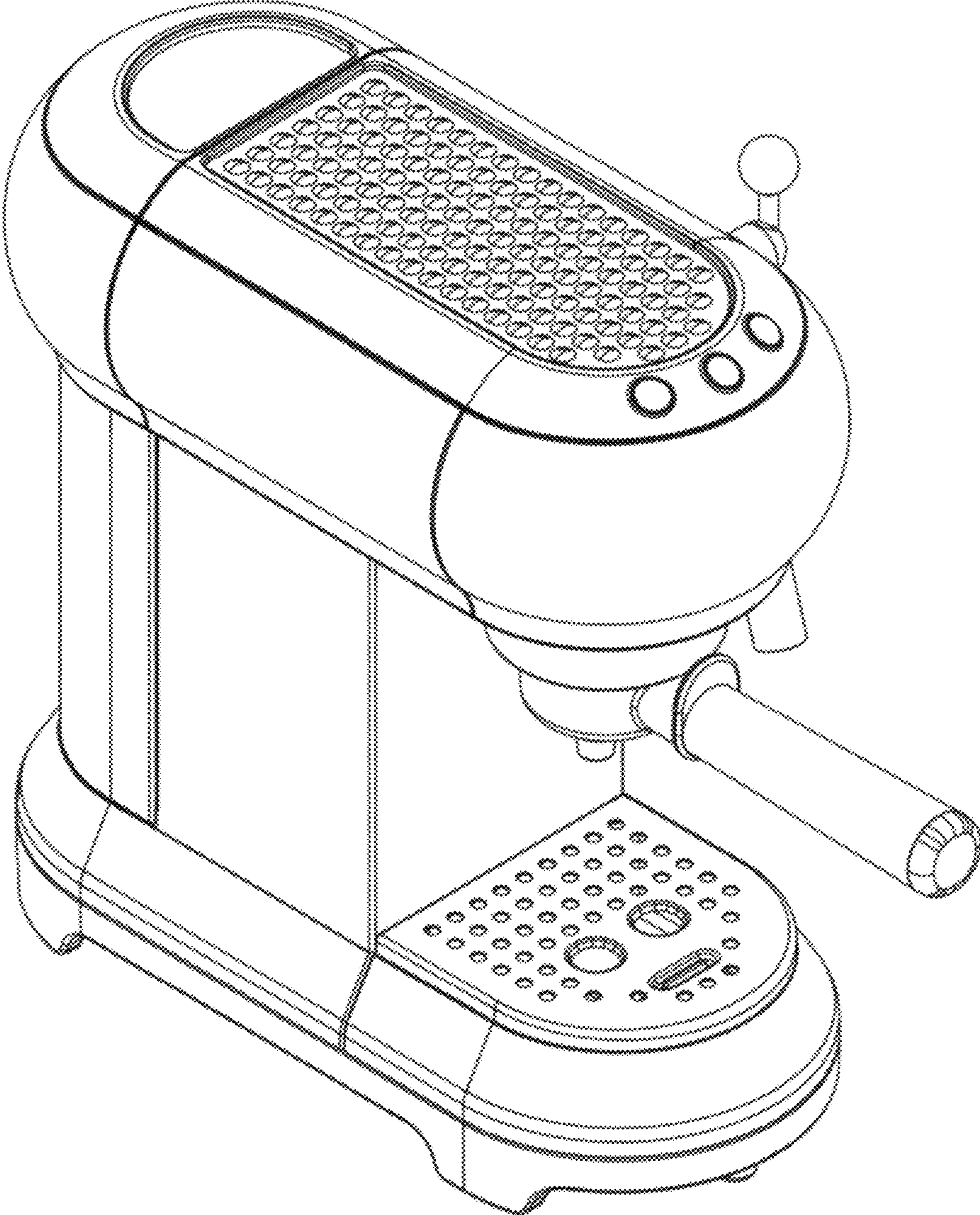
1. Espresso coffee machine
 1.1 : Perspective
 1.2 : Front
 1.3 : Back
 1.4 : Left
 1.5 : Right
 1.6 : Top
 1.7 : Bottom

The broken line shown in figure 1.7 is included for the purpose of illustrating portions of the espresso coffee machine that forms no part of the claimed design.

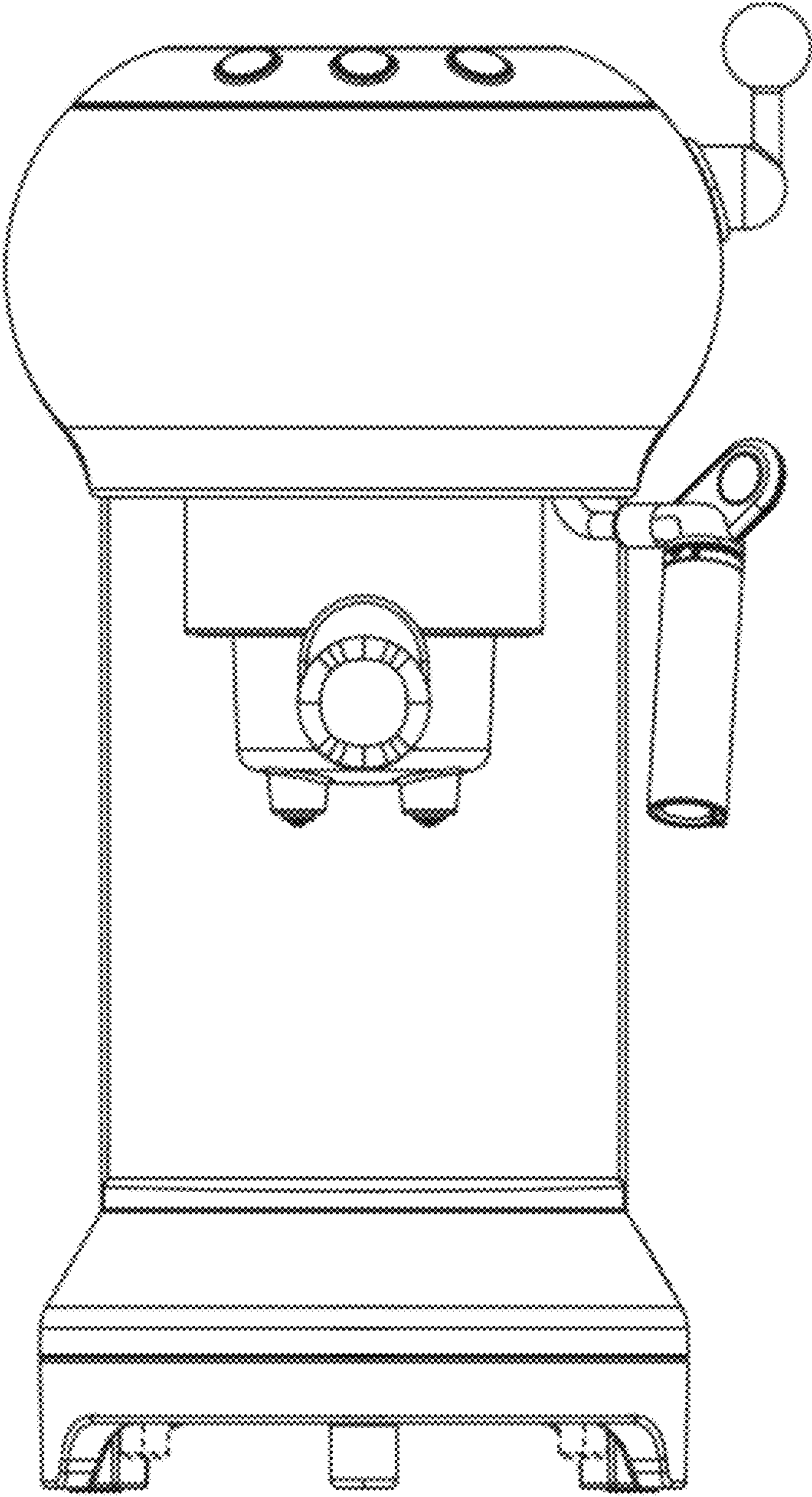
1 Claim, 7 Drawing Sheets



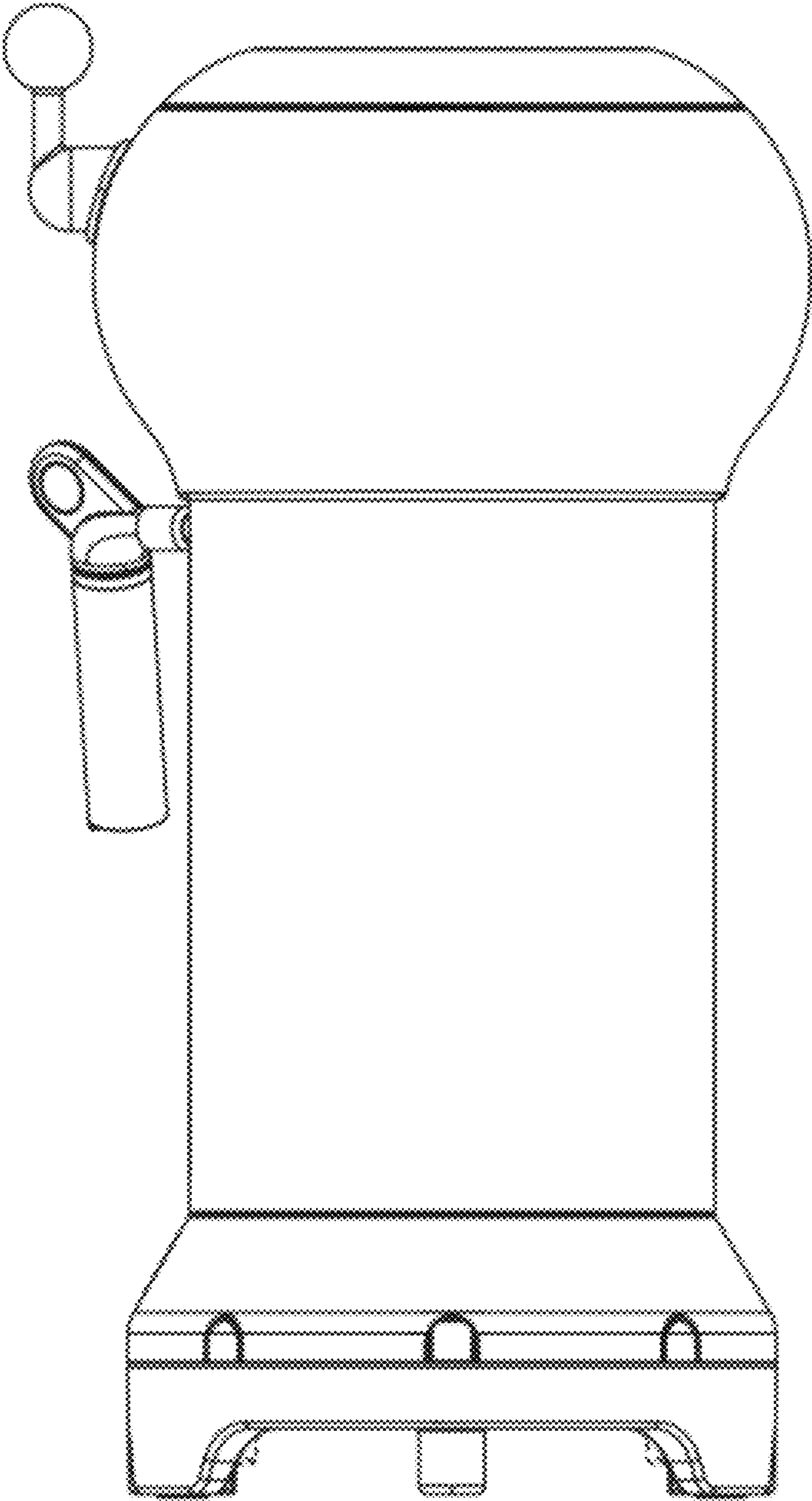
1.1



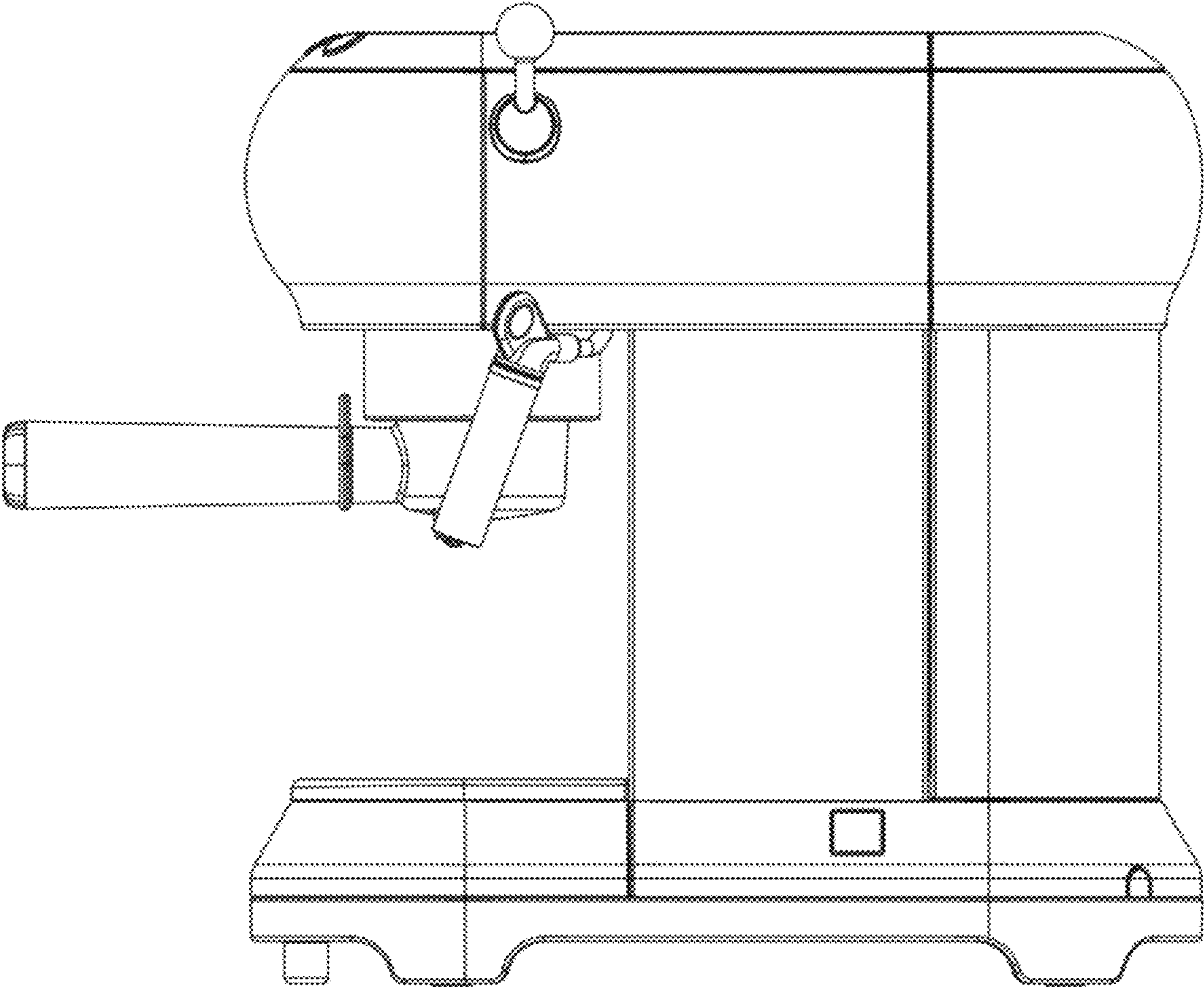
1.2



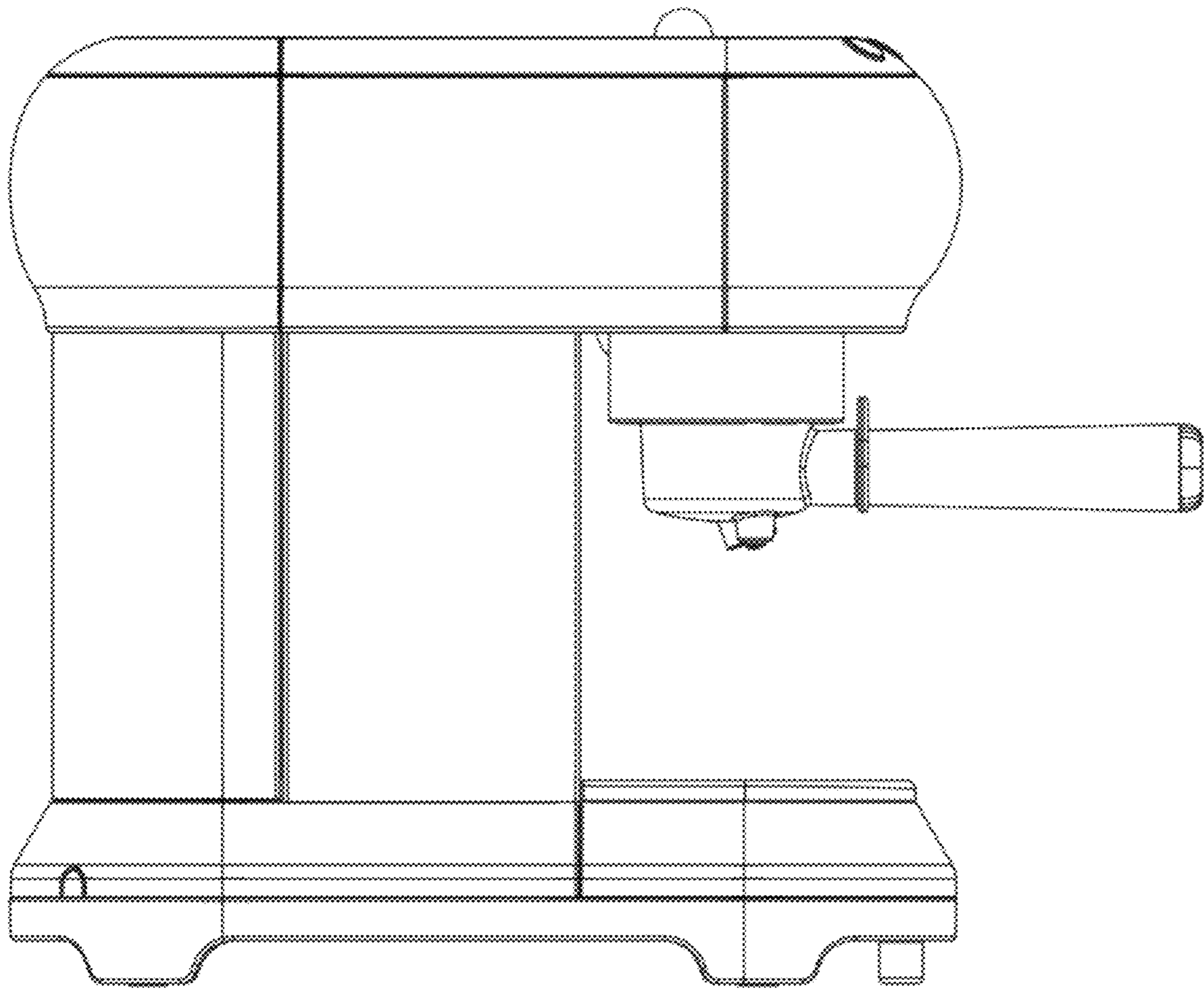
1.3



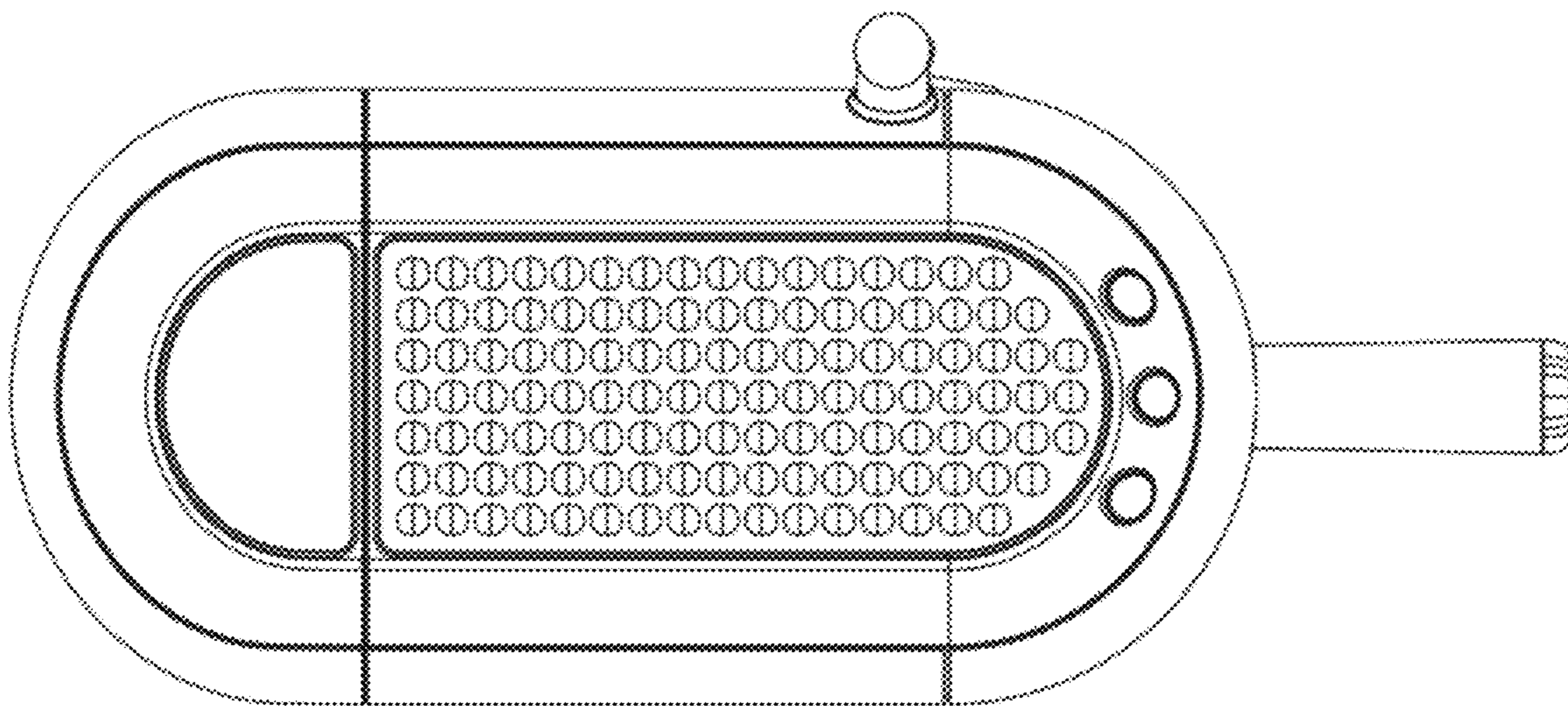
1.4



1.5



1.6



1.7

