

US00D823040S

(12) **United States Design Patent** (10) **Patent No.:** **US D823,040 S**
Bock et al. (45) **Date of Patent:** **** Jul. 17, 2018**

- (54) **COFFEEMAKER**
- (71) Applicant: **Hamilton Beach Brands, Inc.**, Glen Allen, VA (US)
- (72) Inventors: **Brian Bock**, Midlothian, VA (US); **Mark K Romandy**, Midlothian, VA (US); **Drew Carlson**, Henrico, VA (US)
- (73) Assignee: **Hamilton Beach Brands, Inc.**, Glen Allen, VA (US)
- (**) Term: **15 Years**
- (21) Appl. No.: **29/588,993**
- (22) Filed: **Dec. 27, 2016**
- (51) **LOC (11) Cl.** **07-01**
- (52) **U.S. Cl.**
USPC **D7/309; D7/306; D7/311**
- (58) **Field of Classification Search**
USPC D7/300, 309-311, 306-308, 305, 355, D7/362, 365, 367; 222/146.6, 185.1, 135; 99/295, 273, 304, 288, 279, 307, 283
CPC A47J 31/46; A47J 31/407; A47J 31/50; A47J 31/18; A47J 31/00; A47J 27/04; A47J 31/0573; A47J 31/52; A47J 31/0642; A47J 31/3628; A47J 31/4407
See application file for complete search history.

- D689,726 S * 9/2013 Romandy D7/309
D718,565 S * 12/2014 Spagnolo D7/309
D727,084 S * 4/2015 Dorr D7/309
D732,329 S 6/2015 Palermo et al.
9,066,623 B2 6/2015 Lai et al.
D738,149 S 9/2015 Ye
D750,636 S * 3/2016 Lee D14/485
D757,479 S * 5/2016 Steiner D7/309
D763,030 S 8/2016 Priley et al.
D769,662 S * 10/2016 Palermo D7/306
D771,992 S * 11/2016 Yang D7/306
D792,731 S * 7/2017 Palermo D7/306
D796,242 S * 9/2017 Palermo D7/307
2010/0269703 A1 10/2010 Lin
2015/0335197 A1 11/2015 Moon et al.
2016/0007797 A1 1/2016 Lin
2017/0127876 A1* 5/2017 Van Eeden A47J 31/4485

* cited by examiner

Primary Examiner — Marianne Pandozzi
(74) *Attorney, Agent, or Firm* — Alexander D. Raring

(57) **CLAIM**

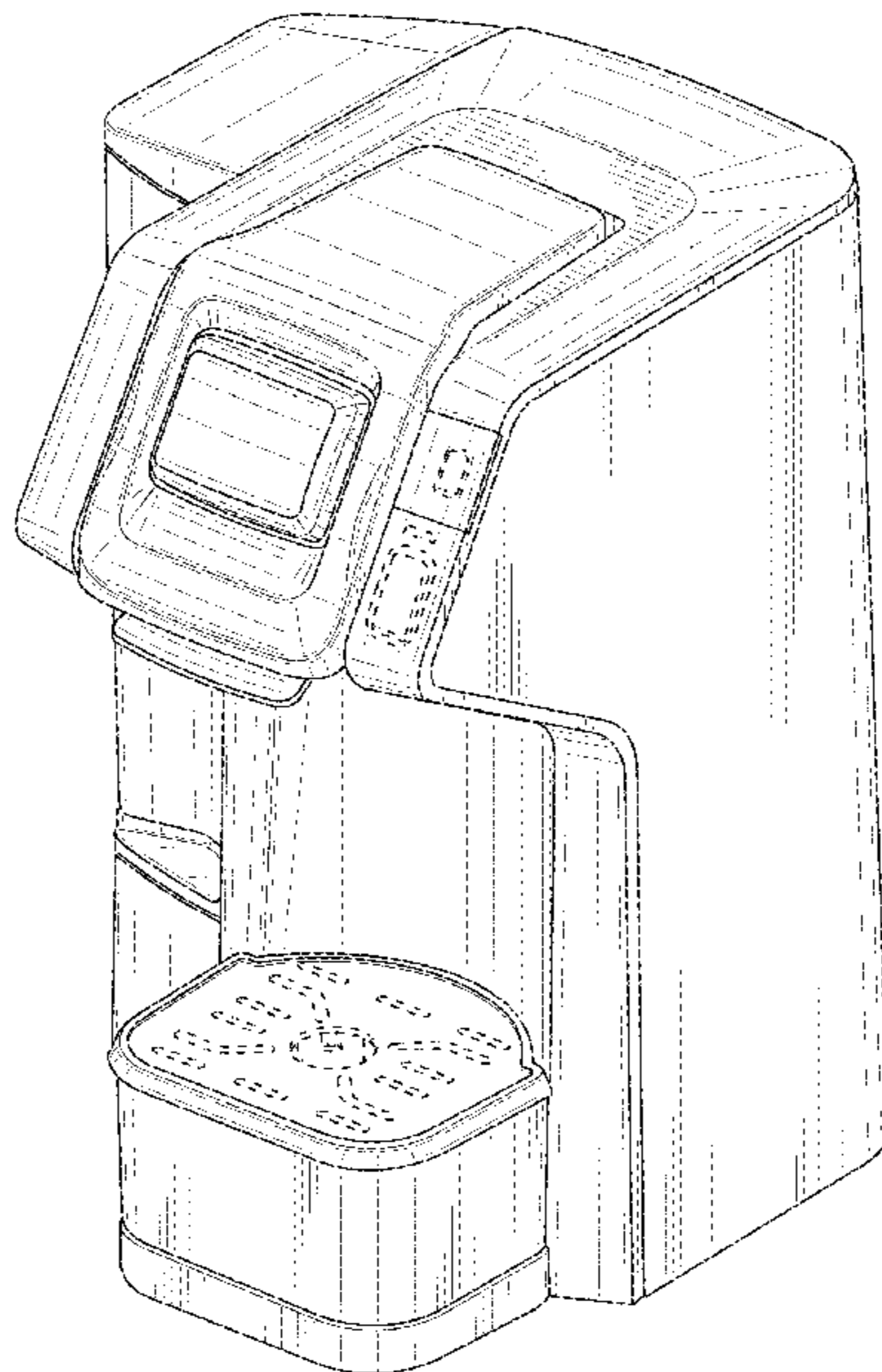
The ornamental design for a coffeemaker, as shown and described.

DESCRIPTION

FIG. 1 is a top, right, front perspective view of a coffeemaker showing our new design;
FIG. 2 is a rear, top, left perspective view thereof;
FIG. 3 is a front view thereof;
FIG. 4 is a rear view thereof;
FIG. 5 is a left side view thereof;
FIG. 6 is a right side view thereof;
FIG. 7 is a top view thereof; and,
FIG. 8 is a bottom view thereof.
The broken lines in the drawing depict portions of the coffeemaker that form no part of the claimed design.

1 Claim, 8 Drawing Sheets

- (56) **References Cited**
- U.S. PATENT DOCUMENTS
- 7,017,472 B2 3/2006 Grant et al.
7,024,983 B2 4/2006 Grant et al.
D561,514 S * 2/2008 Cortese D7/309
7,677,158 B2 3/2010 McDuffie et al.
8,006,611 B2 8/2011 Lin
D682,001 S * 5/2013 Verhaagen D7/306



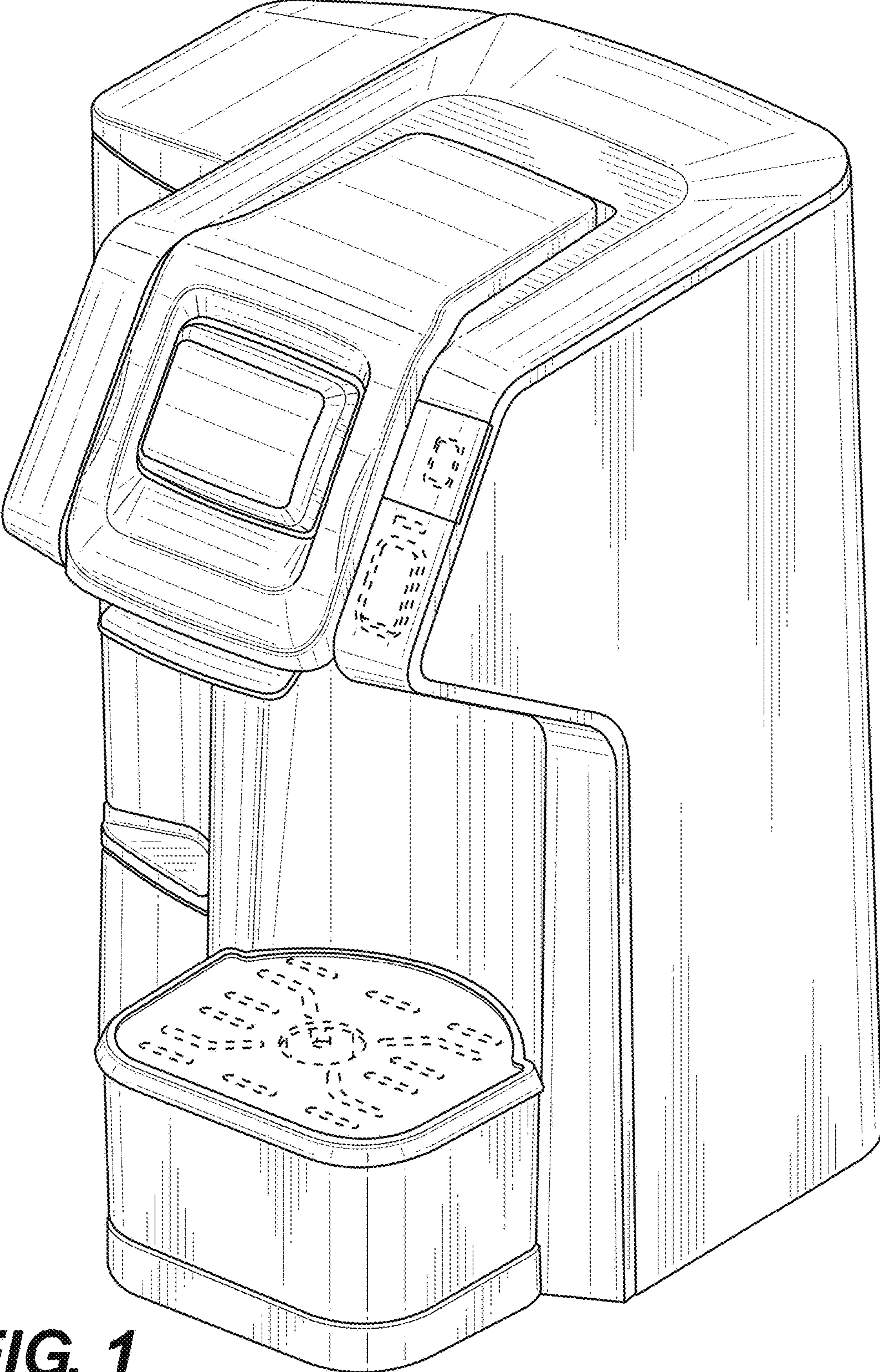


FIG. 1

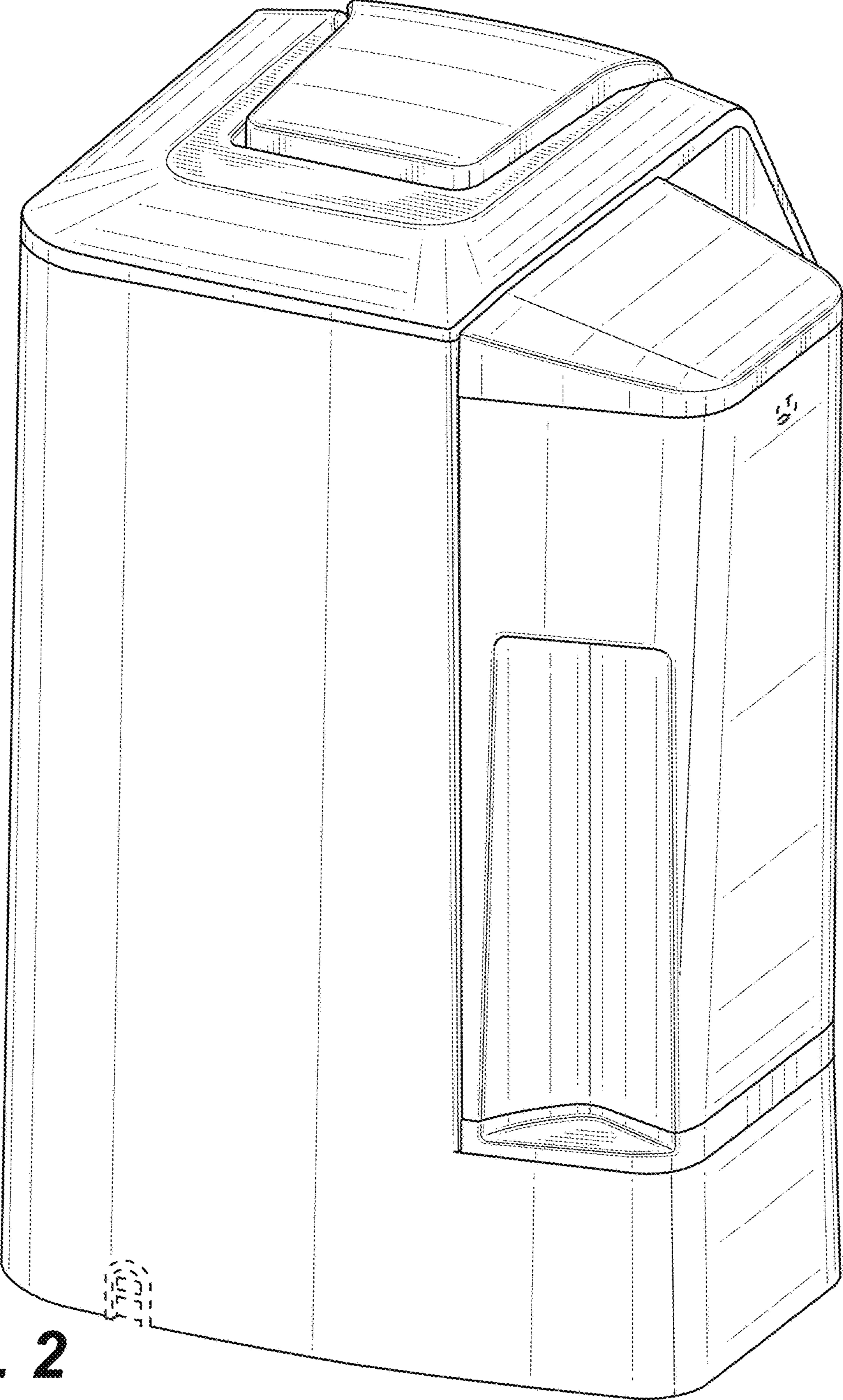


FIG. 2

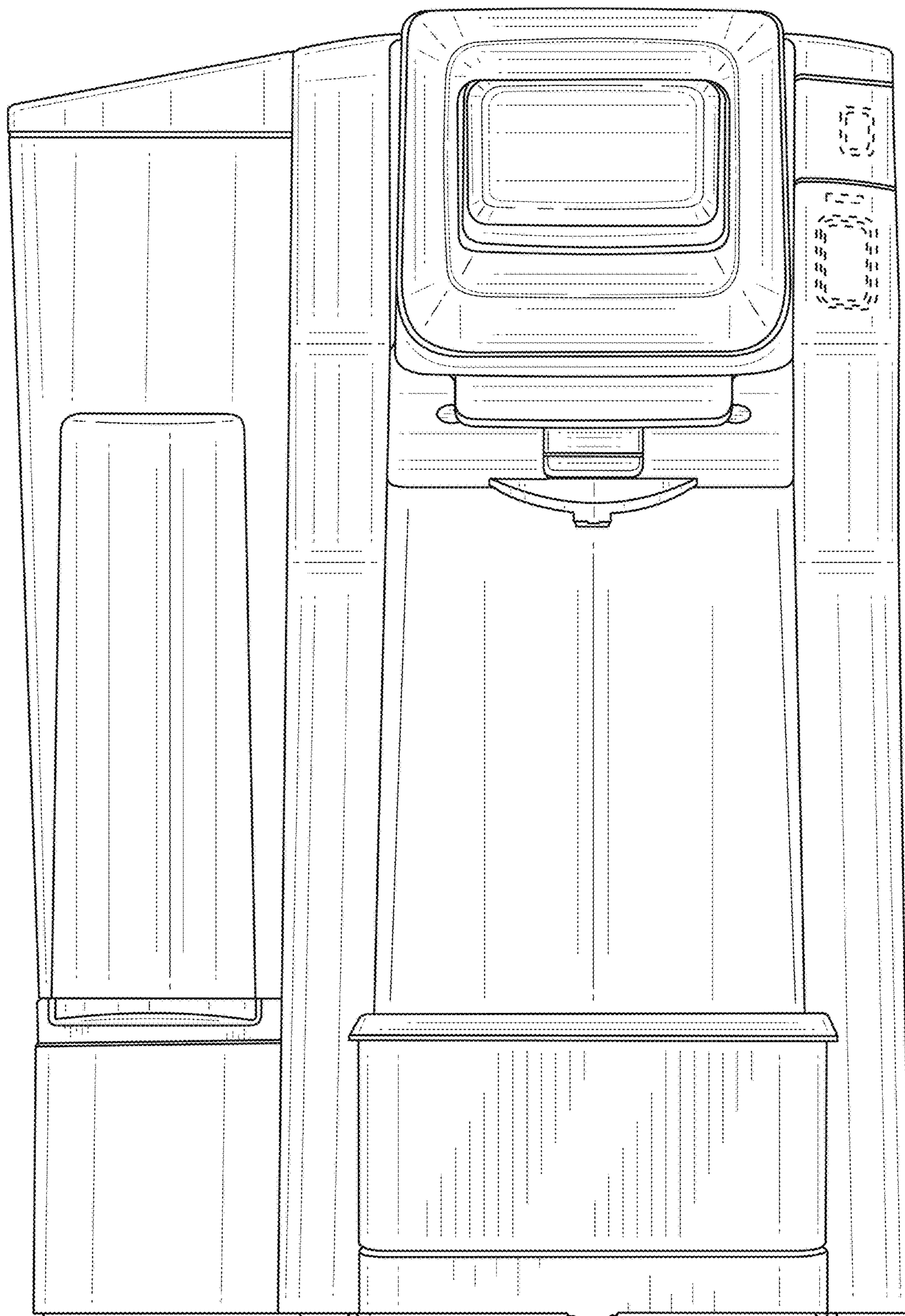


FIG. 3

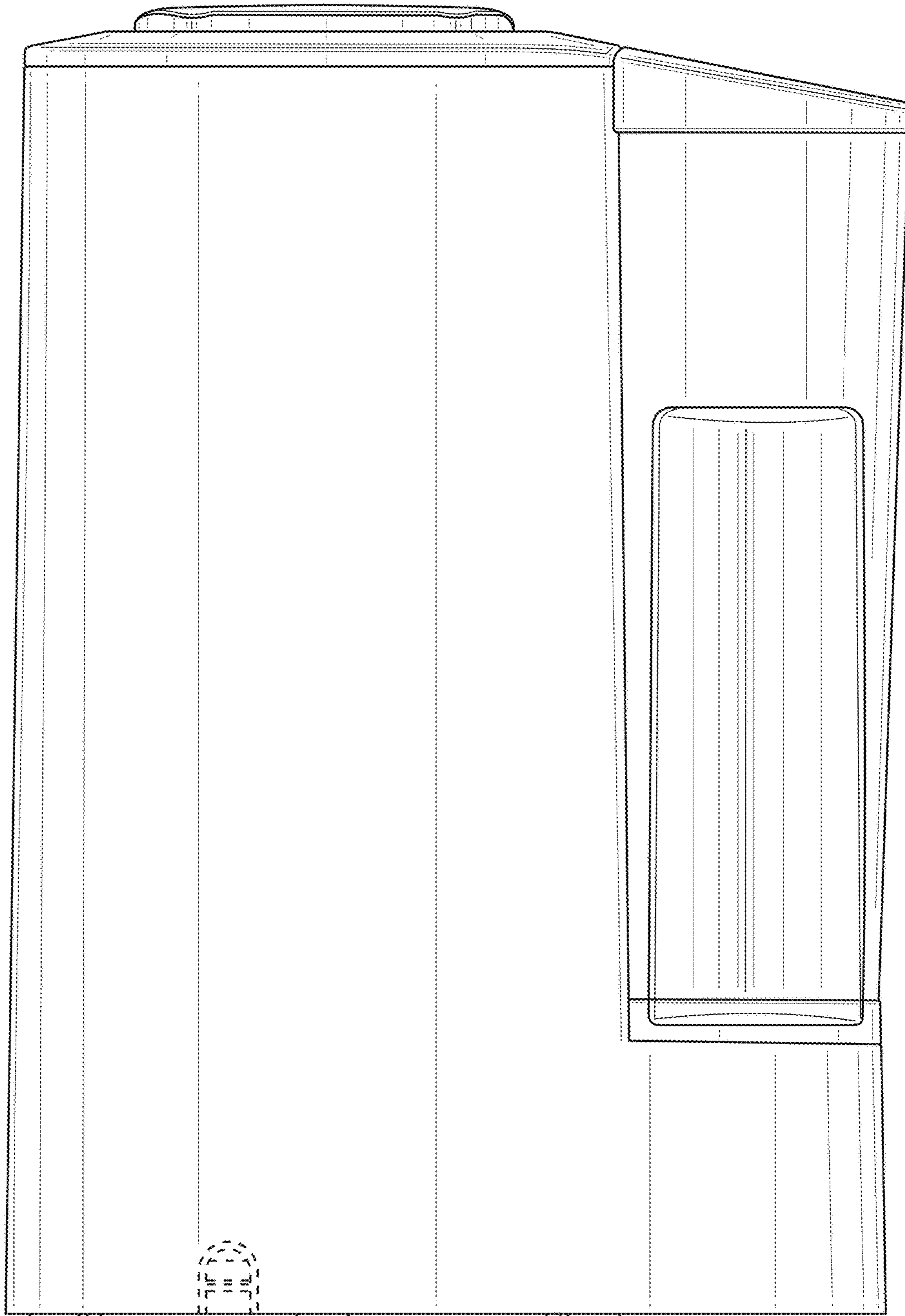


FIG. 4

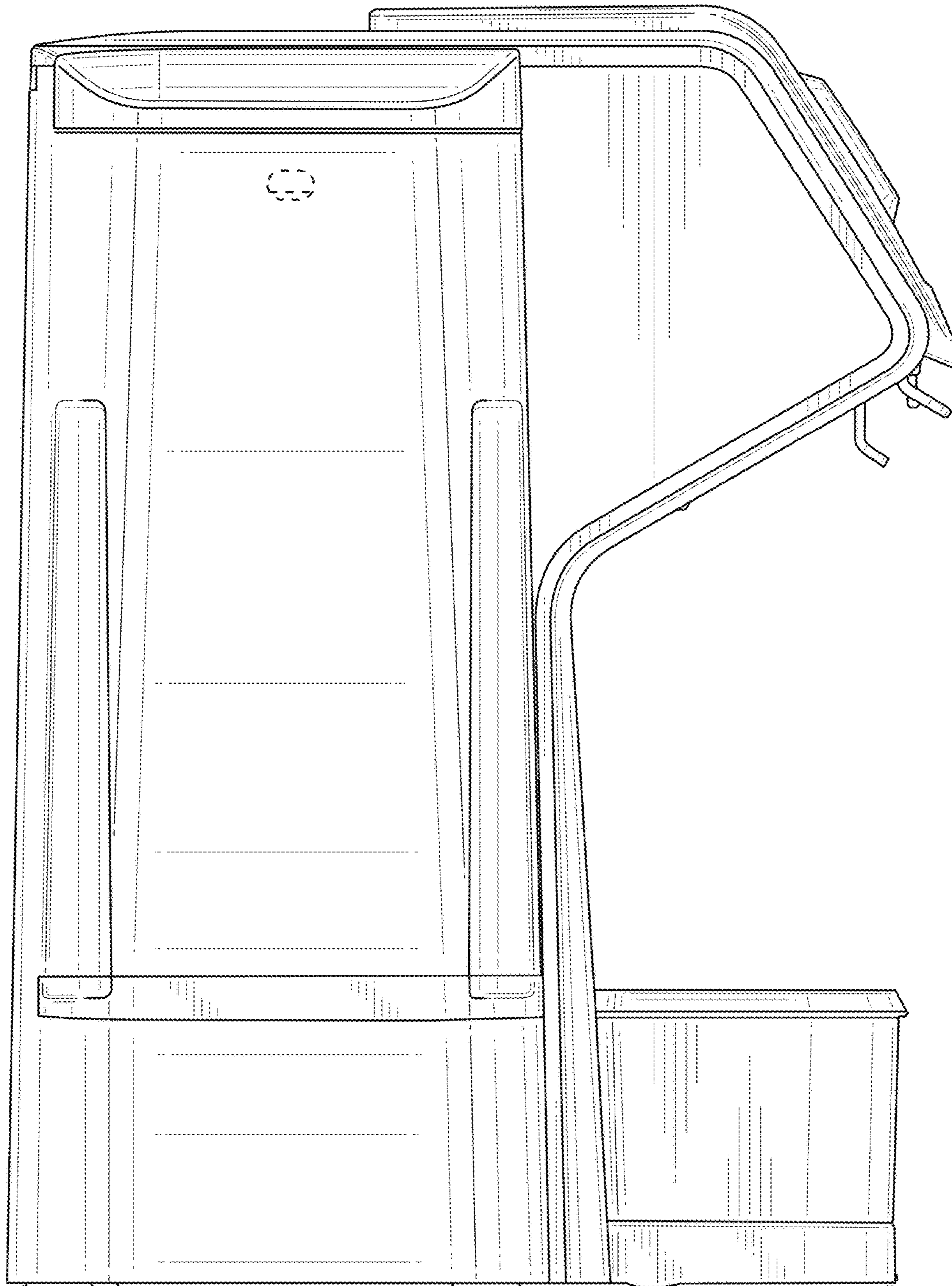


FIG. 5

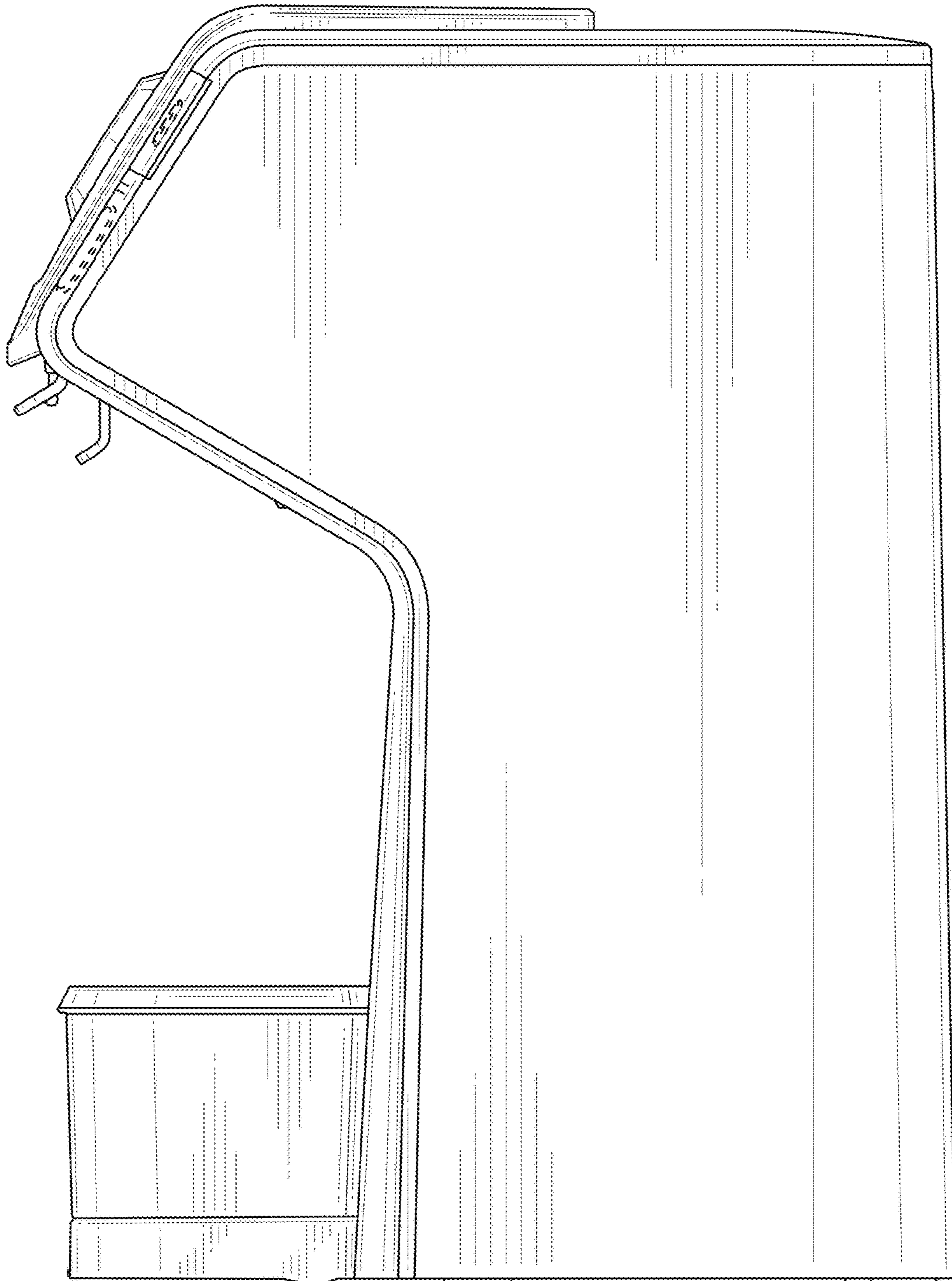


FIG. 6

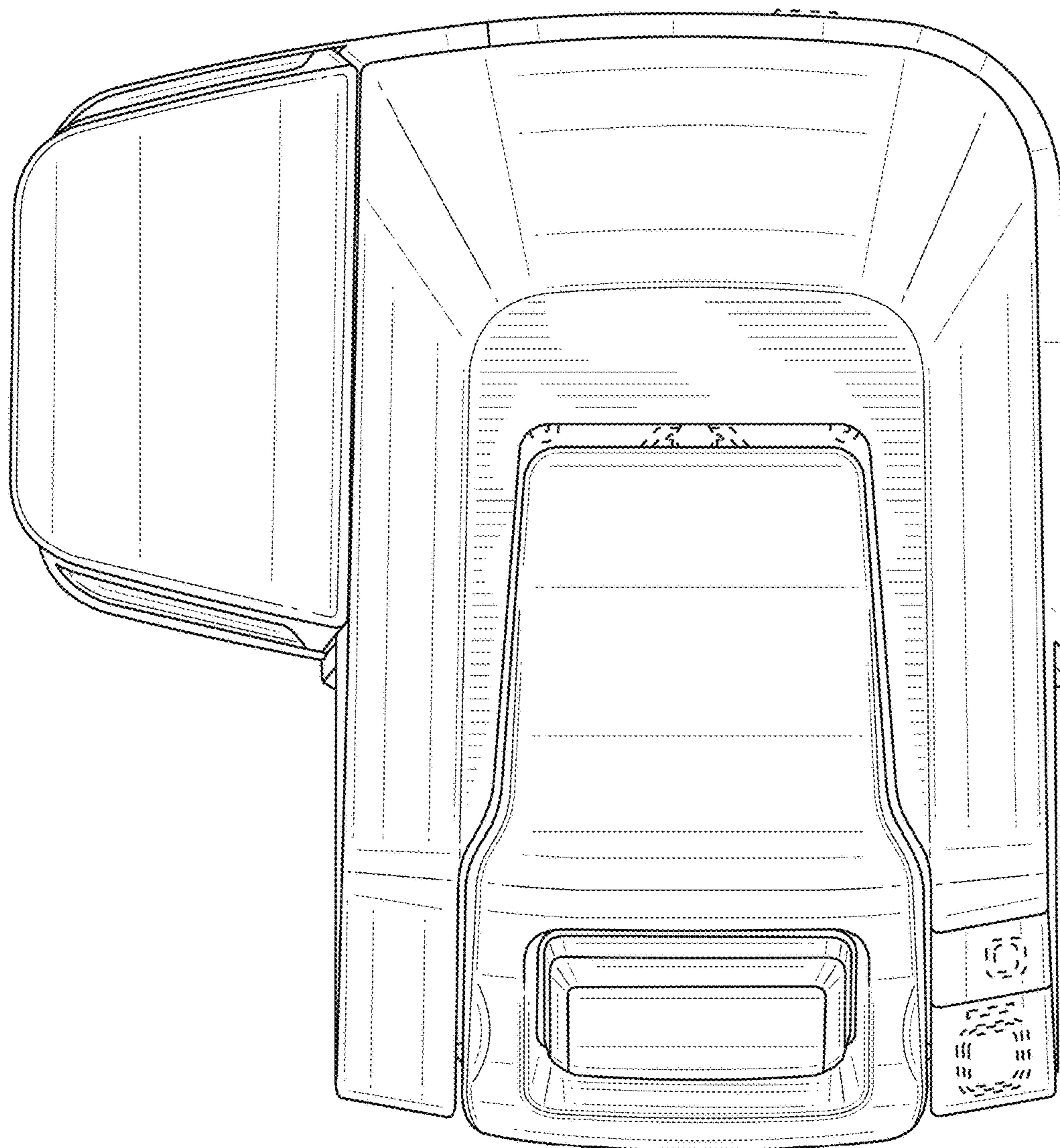


FIG. 7

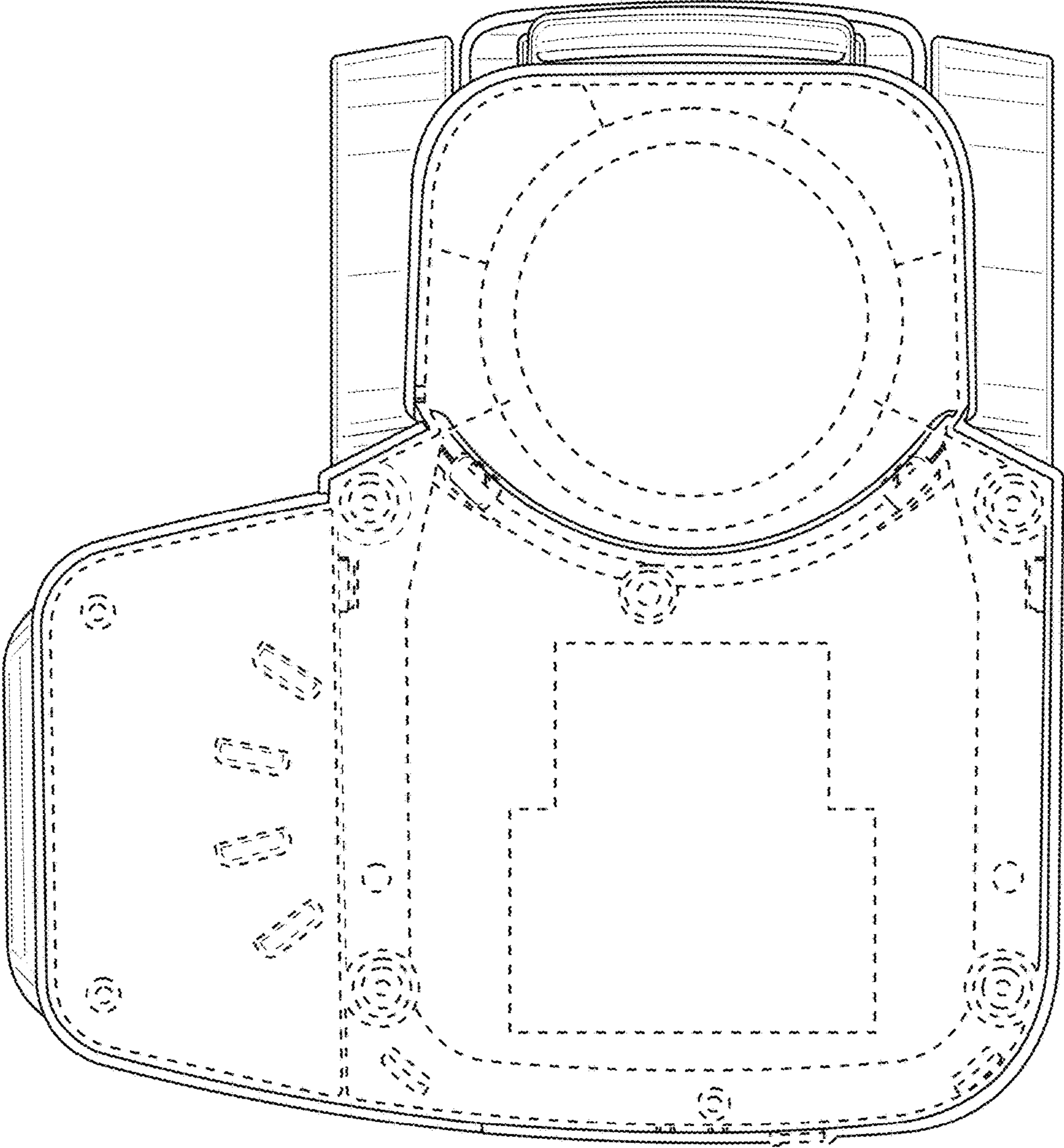


FIG. 8