



US00D823038S

(12) **United States Design Patent**
Gebhardt

(10) **Patent No.:** **US D823,038 S**
(45) **Date of Patent:** **** Jul. 17, 2018**

- (54) **COFFEE MACHINE**
- (71) Applicant: **JURA ELEKTROAPPARATE AG,**
Niederbuchsiten (CH)
- (72) Inventor: **Lutz Gebhardt, Zug (CH)**
- (73) Assignee: **Jura Elektroapparate AG,**
Niederbuchsiten (CH)
- (**) Term: **15 Years**
- (21) Appl. No.: **29/580,366**
- (22) Filed: **Oct. 7, 2016**
- (30) **Foreign Application Priority Data**
May 31, 2016 (WO) DM/090877
- (51) **LOC (11) Cl.** **07-01**
- (52) **U.S. Cl.**
USPC **D7/309; D7/311**
- (58) **Field of Classification Search**
USPC D7/305-311, 313, 397, 399; D15/82;
222/129.1, 146.6; 99/295
CPC A47J 31/44; A47J 31/4403; A47J 31/46;
A47J 31/4482; A47J 31/369; A47J
31/407; A47J 45/08; A47J 45/077; A47J
31/20; B67D 1/36; B67D 2210/0065;
B67D 1/0864
See application file for complete search history.

- (56) **References Cited**
U.S. PATENT DOCUMENTS
4,590,975 A * 5/1986 Credle, Jr. B67D 1/08
141/1
4,951,719 A * 8/1990 Wiley B67D 1/0041
141/1
D319,943 S * 9/1991 Sexton D7/308
D326,385 S * 5/1992 Miller D7/308

- 5,490,447 A * 2/1996 Giuliano A47J 31/3614
99/286
- D479,086 S * 9/2003 Rivard D7/306
- D486,345 S * 2/2004 Schwamkrug D7/309
- D486,346 S * 2/2004 Jonsson D7/309
- D514,370 S * 2/2006 Jacques D7/309
- D523,279 S * 6/2006 Zemp D7/307
- D526,828 S * 8/2006 Jordana D7/309
- D561,514 S * 2/2008 Cortese D7/309
- D570,636 S * 6/2008 Kulujian et al.
- D581,716 S 12/2008 Harris, III
- D584,096 S * 1/2009 Lutz D7/307
- D595,991 S * 7/2009 Zimmerman D7/309
- D598,693 S * 8/2009 Kindler D7/306
- D610,389 S * 2/2010 Borin D7/309
- D622,534 S * 8/2010 Zimmermann D7/307
- D642,415 S * 8/2011 Novelli D7/309
- D645,289 S * 9/2011 Lenzi D7/309
- D645,695 S * 9/2011 Zoppellari D7/309
- D646,108 S * 10/2011 Zoppellari D7/306
- D646,109 S 10/2011 Zoppellari
- D646,518 S * 10/2011 De' Longhi D7/309

(Continued)

Primary Examiner — Marianne Pandozzi
(74) Attorney, Agent, or Firm — Alston & Bird LLP

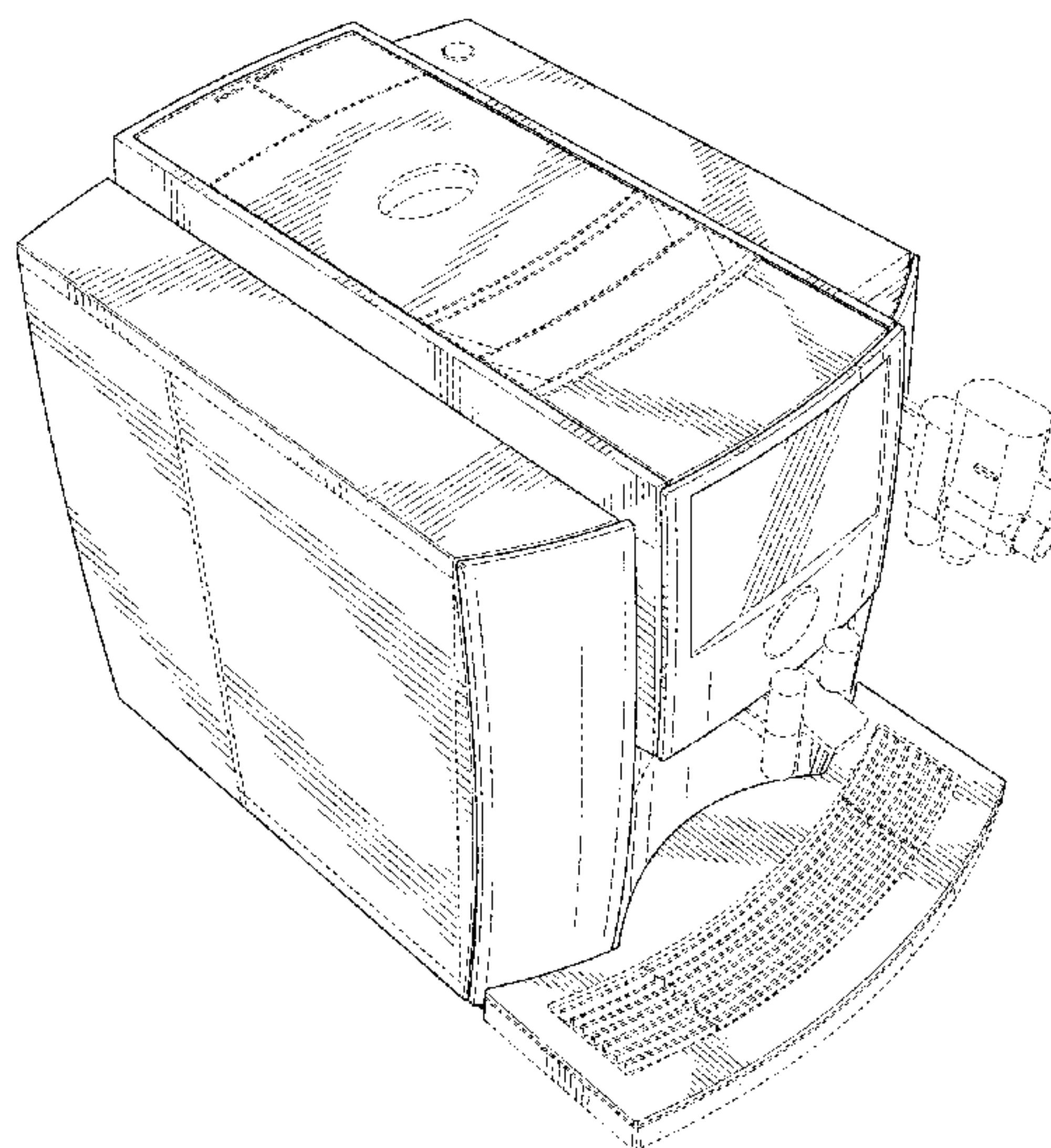
(57) **CLAIM**

I claim the ornamental design for a coffee machine, as shown and described.

DESCRIPTION

FIG. 1 is a perspective view of a coffee machine showing my new design;
FIG. 2 is a front elevation view thereof;
FIG. 3 is a rear elevation view thereof;
FIG. 4 is a left side elevation view thereof;
FIG. 5 is a right side elevation view thereof;
FIG. 6 is a top plan view thereof; and,
FIG. 7 is a bottom plan view thereof.
The broken lines are directed to unclaimed features. The broken lines form no part of the claimed design.

1 Claim, 7 Drawing Sheets



(56)

References Cited

U.S. PATENT DOCUMENTS

D647,356	S *	10/2011	De' Longhi	D7/309
D648,973	S *	11/2011	De' Longhi	D7/309
D660,071	S *	5/2012	Berlencourt	D7/309
D663,566	S *	7/2012	Feder	D7/309
D665,218	S *	8/2012	Iseli	D7/309
D670,131	S *	11/2012	Feder	D7/309
D672,999	S *	12/2012	De' Longhi	D7/309
D675,860	S	2/2013	Tonelli et al.	
D682,599	S	5/2013	Bolzicco et al.	
D701,071	S *	3/2014	Buttler	D7/306
D723,318	S	3/2015	Andreesen	
D737,091	S *	8/2015	Gebhardt	D7/309
D738,668	S *	9/2015	Buttler	D7/309
9,282,850	B2 *	3/2016	Tonelli	A47J 31/4485
D794,992	S *	8/2017	Tsutsui	D7/307

* cited by examiner

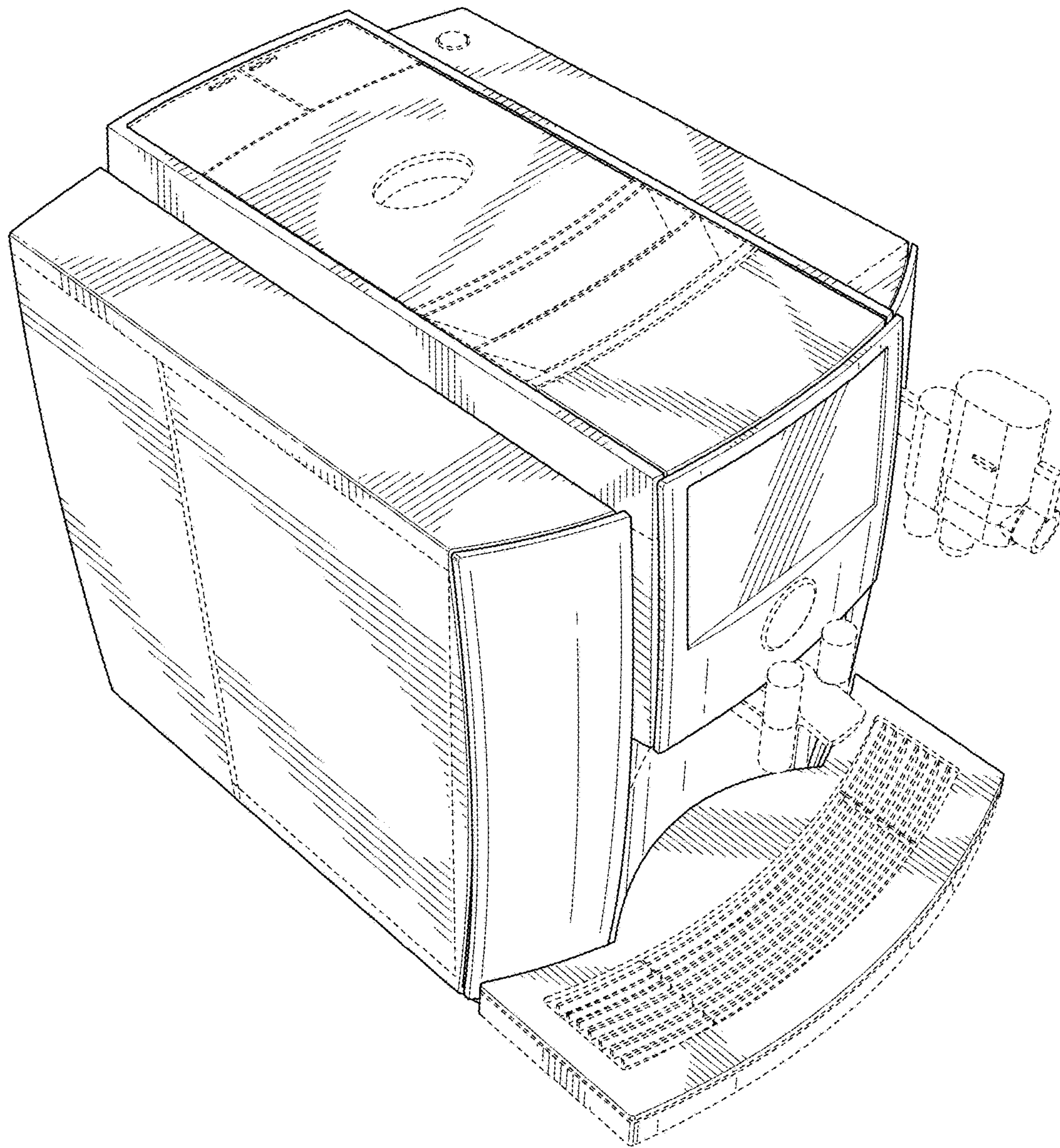


FIG. 1

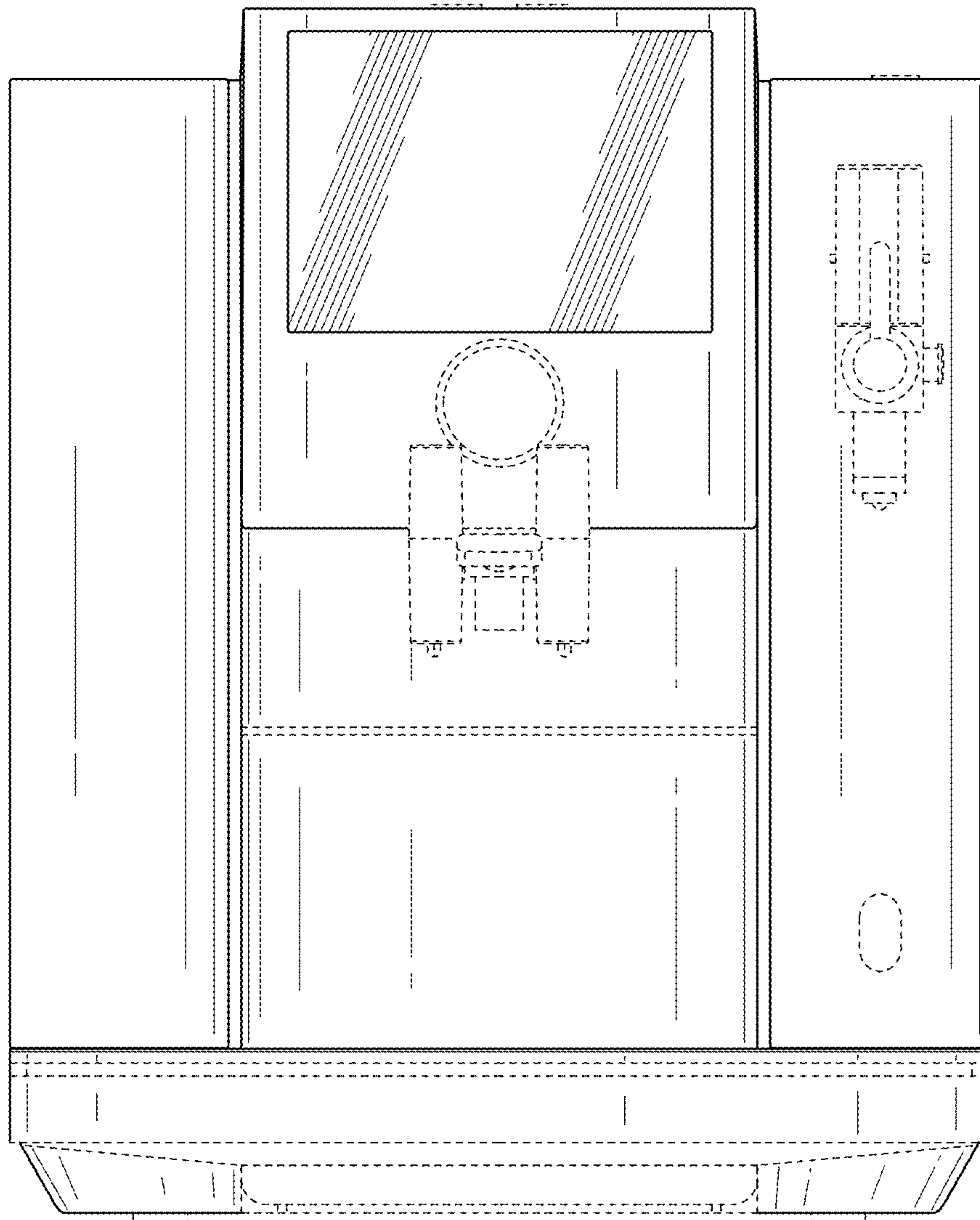


FIG. 2

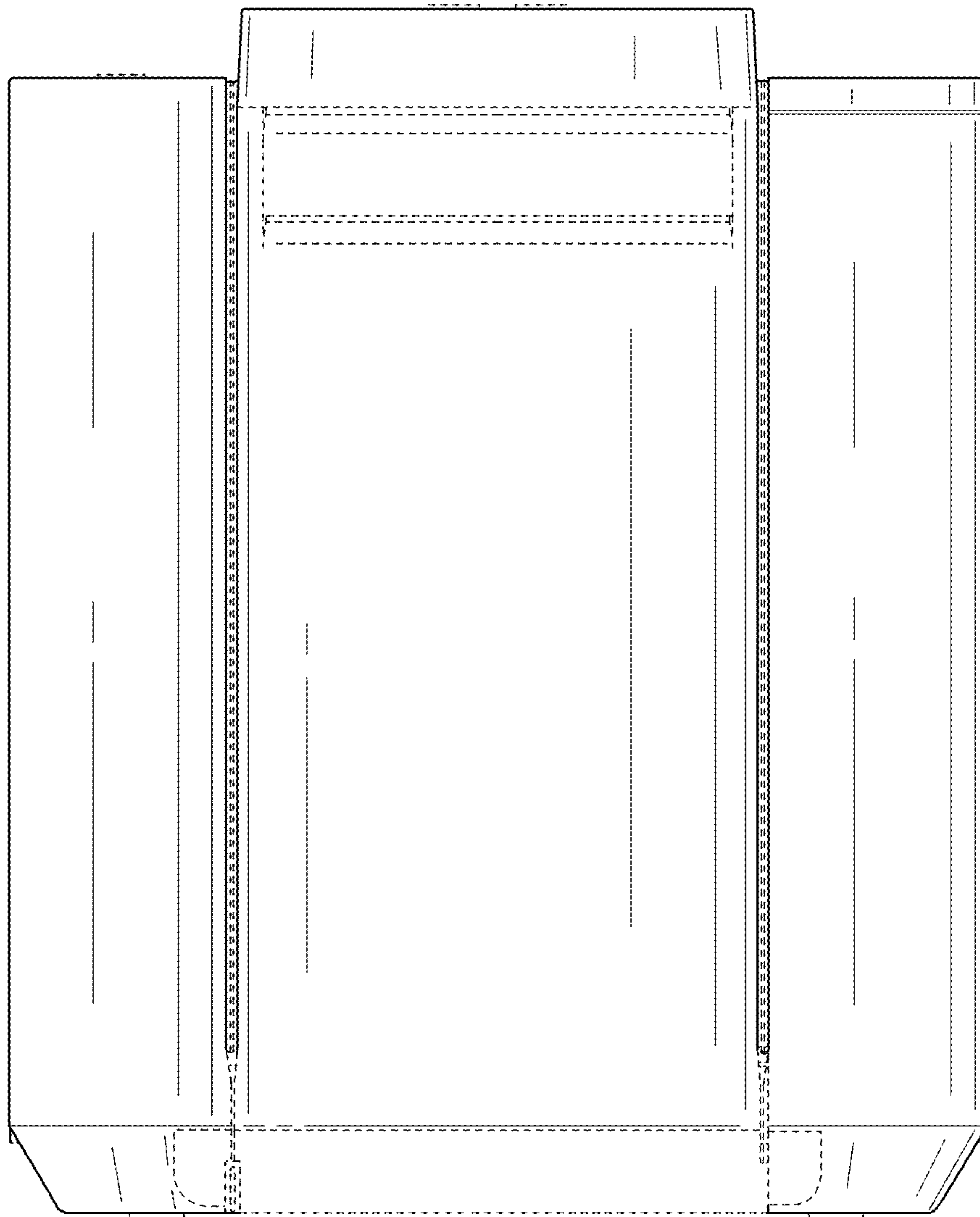


FIG. 3

FIG. 4

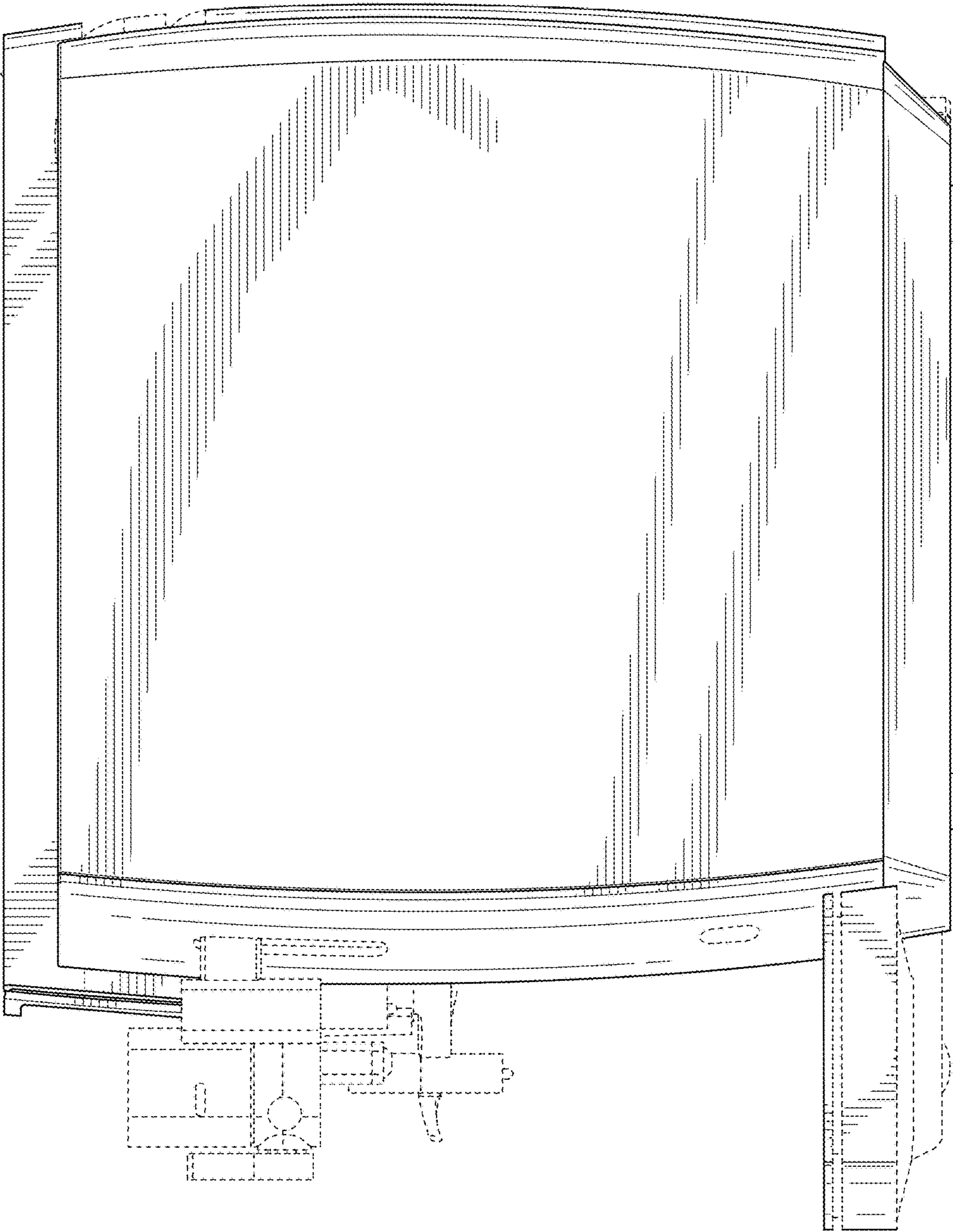
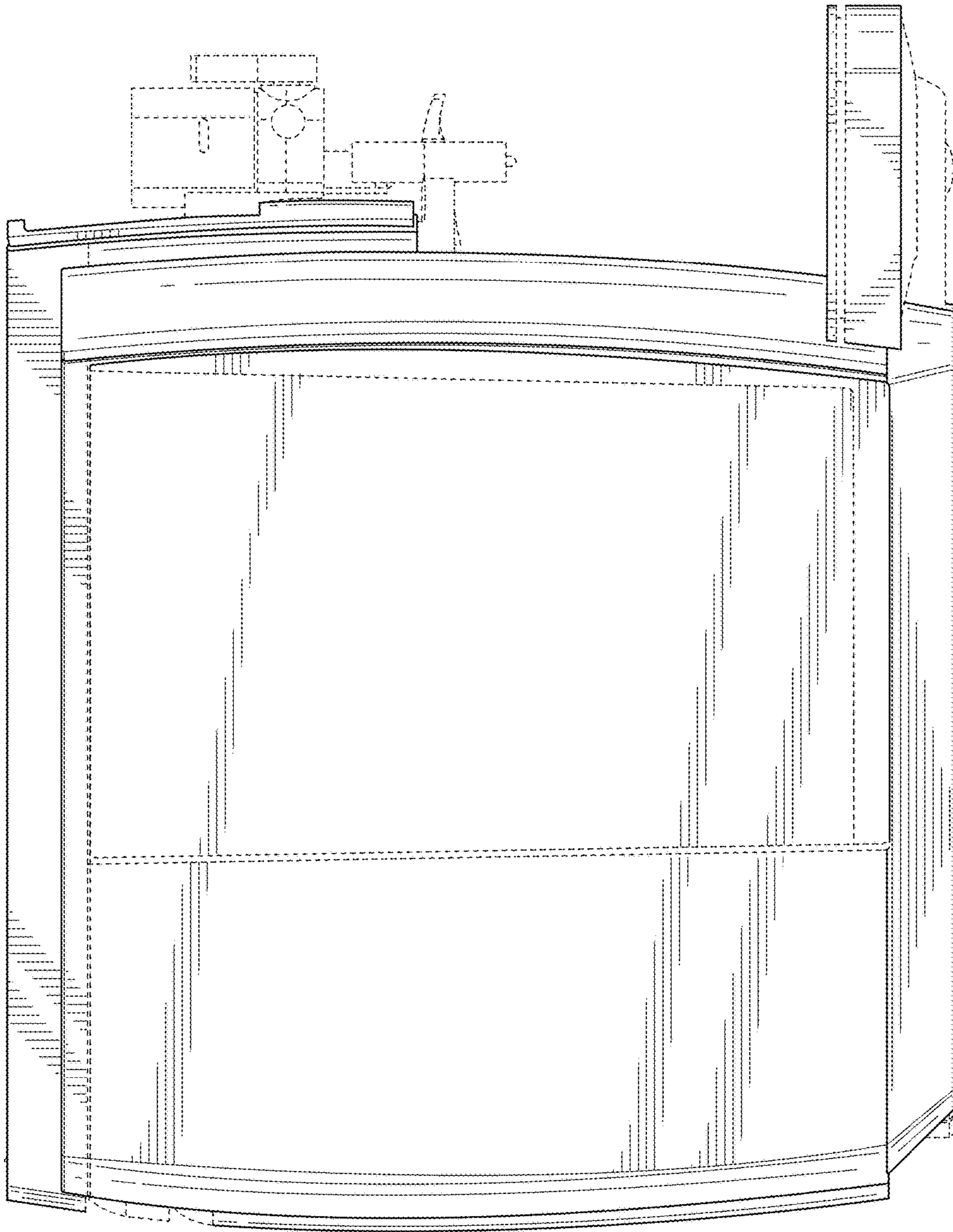


FIG. 5



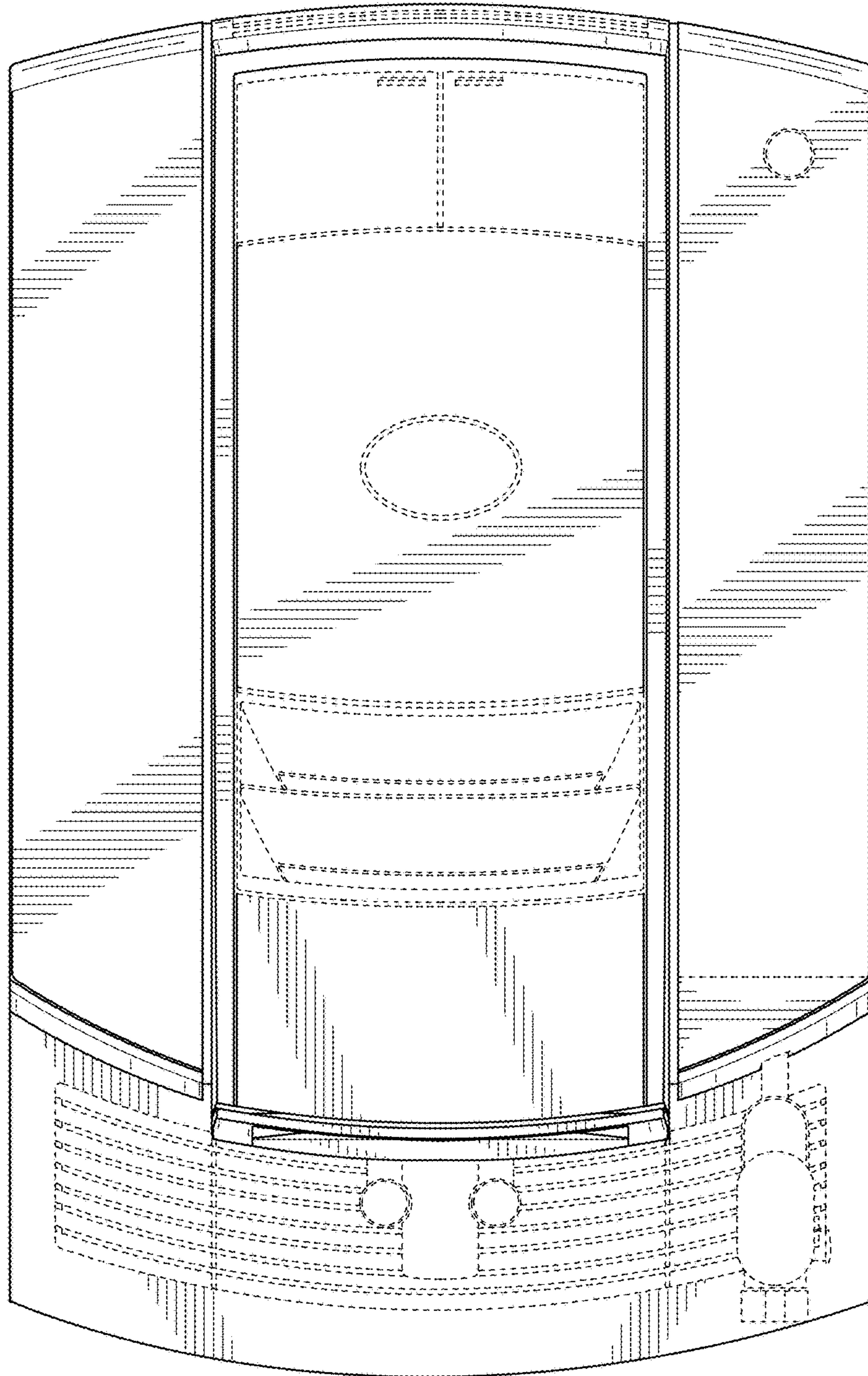


FIG. 6

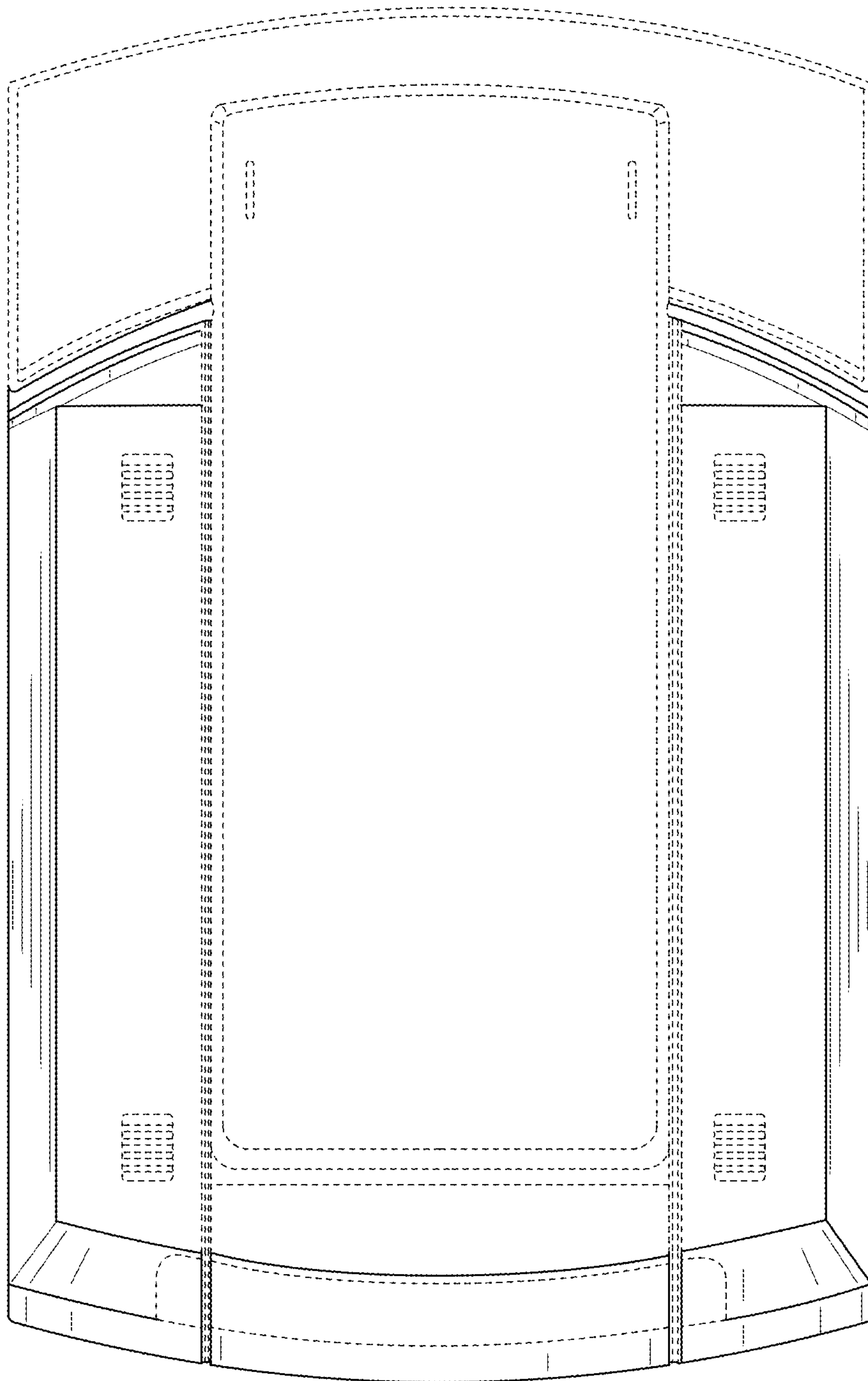


FIG. 7