



US00D823036S

(12) **United States Design Patent** (10) **Patent No.:** **US D823,036 S**
Kestenbaum (45) **Date of Patent:** **** Jul. 17, 2018**

(54) **COFFEE MAKER**
(71) Applicant: **SharkNinja Operating LLC**, Newton, MA (US)
(72) Inventor: **Daniel Kestenbaum**, Brookline, MA (US)
(73) Assignee: **SHARKNINJA OPERATING LLC**, Needham, MA (US)

D598,693 S * 8/2009 Kindler D7/306
D598,695 S * 8/2009 Currie D7/309
D648,973 S * 11/2011 De' Longhi D7/309
(Continued)

(**) Term: **15 Years**

(21) Appl. No.: **29/564,780**

(22) Filed: **May 16, 2016**

(51) **LOC (11) Cl.** **07-01**

(52) **U.S. Cl.**
USPC **D7/309; D7/311**

(58) **Field of Classification Search**
USPC D7/305-311, 313; D15/82; 222/129.1, 222/146.6; 99/295
CPC A47J 31/44; A47J 31/4403; A47J 31/46; A47J 31/4482; A47J 31/369; A47J 31/407; A47J 31/10; A47J 31/467; A47J 31/0615; B67D 1/36; B67D 2210/0065; B67D 1/0864; B67D 3/0061
See application file for complete search history.

(56) **References Cited**

U.S. PATENT DOCUMENTS

D213,577 S 3/1969 Douglas
D225,365 S 12/1972 Beckman
4,590,975 A * 5/1986 Credle, Jr. B67D 1/08 141/1
D558,507 S 1/2008 Picozza et al.
D562,052 S * 2/2008 De Pra' D7/309
D581,717 S * 12/2008 Parker D7/309
D584,912 S 1/2009 Green et al.
D585,691 S * 2/2009 Borin D7/309

OTHER PUBLICATIONS

Application for Registration of an Industrial Design Examiner's Report; Canadian Application No. 171623; dated Feb. 17, 2017; 1 Page.

(Continued)

Primary Examiner — Marianne Pandozzi
(74) *Attorney, Agent, or Firm* — Cantor Colburn LLP

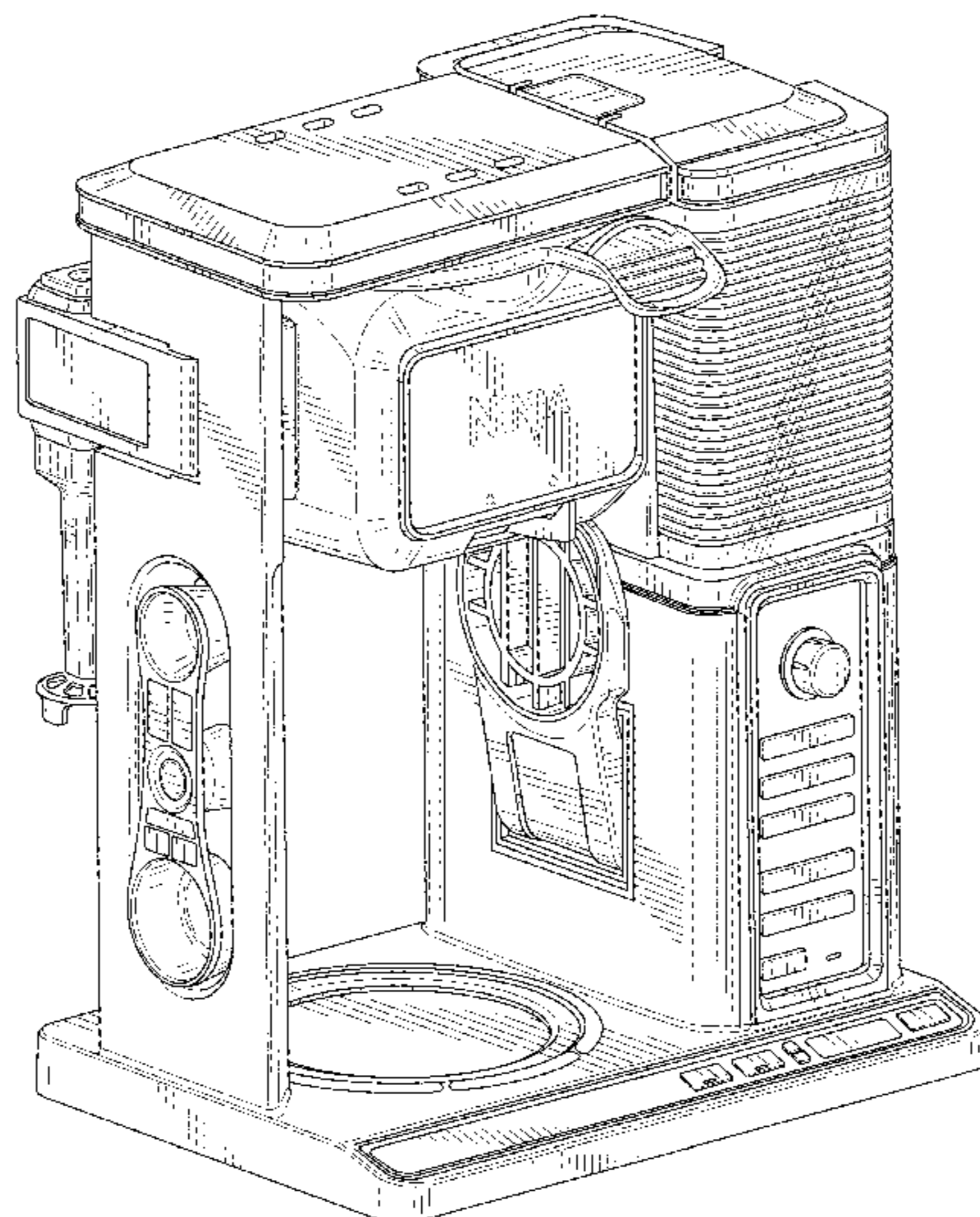
(57) **CLAIM**

The ornamental design for coffee maker, as shown and described.

DESCRIPTION

FIG. 1 is a perspective view of a coffee maker, showing our new design in a first embodiment;
FIG. 2 is a front view of the embodiment shown in FIG. 1;
FIG. 3 is a rear view of the embodiment shown in FIG. 1;
FIG. 4 is side view of the embodiment shown in FIG. 1;
FIG. 5 is another side view of the embodiment shown in FIG. 1;
FIG. 6 is a top view of the embodiment shown in FIG. 1;
FIG. 7 is a bottom view of the embodiment shown in FIG. 1;
FIG. 8 is another perspective view of the embodiment shown in FIG. 1;
FIG. 9 is yet another perspective view of the embodiment shown in FIG. 1; and
FIG. 10 is still another perspective view of the embodiment shown in FIG. 1.
The broken lines in the figures are for environmental purposes only and form no part of the claimed design.
The oblique line shading shows a transparent or translucent surface.

1 Claim, 10 Drawing Sheets



(56)

References Cited

U.S. PATENT DOCUMENTS

D696,890 S *	1/2014	Poniedzialek	D7/309
D713,668 S *	9/2014	Metaxatos	D7/309
D727,084 S *	4/2015	Dorr	D7/309
D730,675 S	6/2015	Williams et al.	
D733,481 S *	7/2015	Rousselin	D7/306
D742,159 S *	11/2015	Doria	D7/309
D752,377 S	3/2016	Maitland et al.	
D765,454 S *	9/2016	Romandy	D7/309
D769,662 S *	10/2016	Palermo	D7/306
D770,831 S *	11/2016	Affatato	D7/309
D770,832 S *	11/2016	Affatato	D7/309
D771,992 S *	11/2016	Yang	D7/306
D778,098 S *	2/2017	Horimoto	D7/306
D782,242 S *	3/2017	Lee	D7/306
D792,731 S *	7/2017	Palermo	D7/306
2015/0190011 A1 *	7/2015	Minard	B67D 1/0041 426/231

OTHER PUBLICATIONS

Non-Final Office Action; U.S. Appl. No. 29/564,778, filed May 16, 2016; Carafe; dated Mar. 10, 2017; 9 Pages.
 Notice of Allowance; Japanese Design Application No. 2016-024849; dated Mar. 31, 2017; 2 Pages.
 Notice of Allowance; Japanese Design Application No. 2016-024850; dated Mar. 31, 2017; 2 Pages.
 Notice of Allowance; Japanese Design Application No. 2016-024851; dated Mar. 31, 2017; 2 Pages.
 Notice of Allowance; Japanese Design Application No. 2016-024852; dated Mar. 31, 2017; 2 Pages.
 Notice of Allowance; Japanese Design Application No. 2016-024853; dated Mar. 31, 2017; 2 Pages.
 Notice of Allowance; Japanese Design Application No. 2016-024854; dated Mar. 31, 2017; 2 Pages.
 Notice of Allowance; Japanese Design Application No. 2016-024855; dated Mar. 31, 2017; 2 Pages.
 Notice of Completion of Formalities for Patent Register and Notice of Grant of Design Patent Right; Chinese Application No. 2016305567649; dated Jan. 19, 2017; 5 Pages.

Notice of Completion of Formalities for Patent Register and Notice of Grant of Design Patent Right; Chinese Application No. 2016305570459; dated Jan. 19, 2017; 5 Pages.
 Notice of Completion of Formalities for Patent Register and Notice of Grant of Design Patent Right; Chinese Application No. 201630557068X; dated Jan. 19, 2017; 5 Pages.
 Notice of Completion of Formalities for Patent Register and Notice of Grant of Design Patent Right; Chinese Application No. 2016305573207; dated Jan. 17, 2017; 5 Pages.
 Notice of References; Japanese Design Application No. 2016-024849; dated Mar. 31, 2017; 2 Pages.
 Notice of References; Japanese Design Application No. 2016-024850; dated Mar. 31, 2017; 2 Pages.
 Application for Registration of an Industrial Design Examiner's Report; Canadian Application No. 171623; dated Jul. 25, 2017; 1 Page.
 Preliminary Rejection; Korean Application No. 30-2016-0053875; dated Jul. 4, 2017; 3 Pages.
 Preliminary Rejection; Korean Application No. 30-2016-0053877; dated Jul. 4, 2017; 4 Pages.
 Preliminary Rejection; Korean Application No. 30-2016-0053878; dated Jul. 4, 2017; 2 Pages.
 Preliminary Rejection; Korean Application No. 30-2016-0053879; dated Jul. 4, 2017; 5 Pages.
 Preliminary Rejection; Korean Application No. 30-2016-0053882; dated Jul. 4, 2017; 5 Pages.
 Preliminary Rejection; Korean Application No. 30-2016-0053885; dated Jul. 4, 2017; 5 Pages.
 Decision to Dismiss the Amendment; Korean Application No. 30-2016-0053885; dated Jul. 6, 2017; 5 Pages.
 Application for Registration of an Industrial Design Examiner's Report; Canadian Application No. 171623; dated Nov. 14, 2017; 2 Pages
 Notice of Allowance; U.S. Appl. No. 29/564,778, filed May 16, 2016; Carafe; dated Jul. 13, 2017; 10 Pages.
 Requirement for Restriction/Election; U.S. Appl. No. 29/564,776, filed May 16, 2016; Coffee Maker and Components Thereof; dated Dec. 7, 2017; 18 Pages.

* cited by examiner

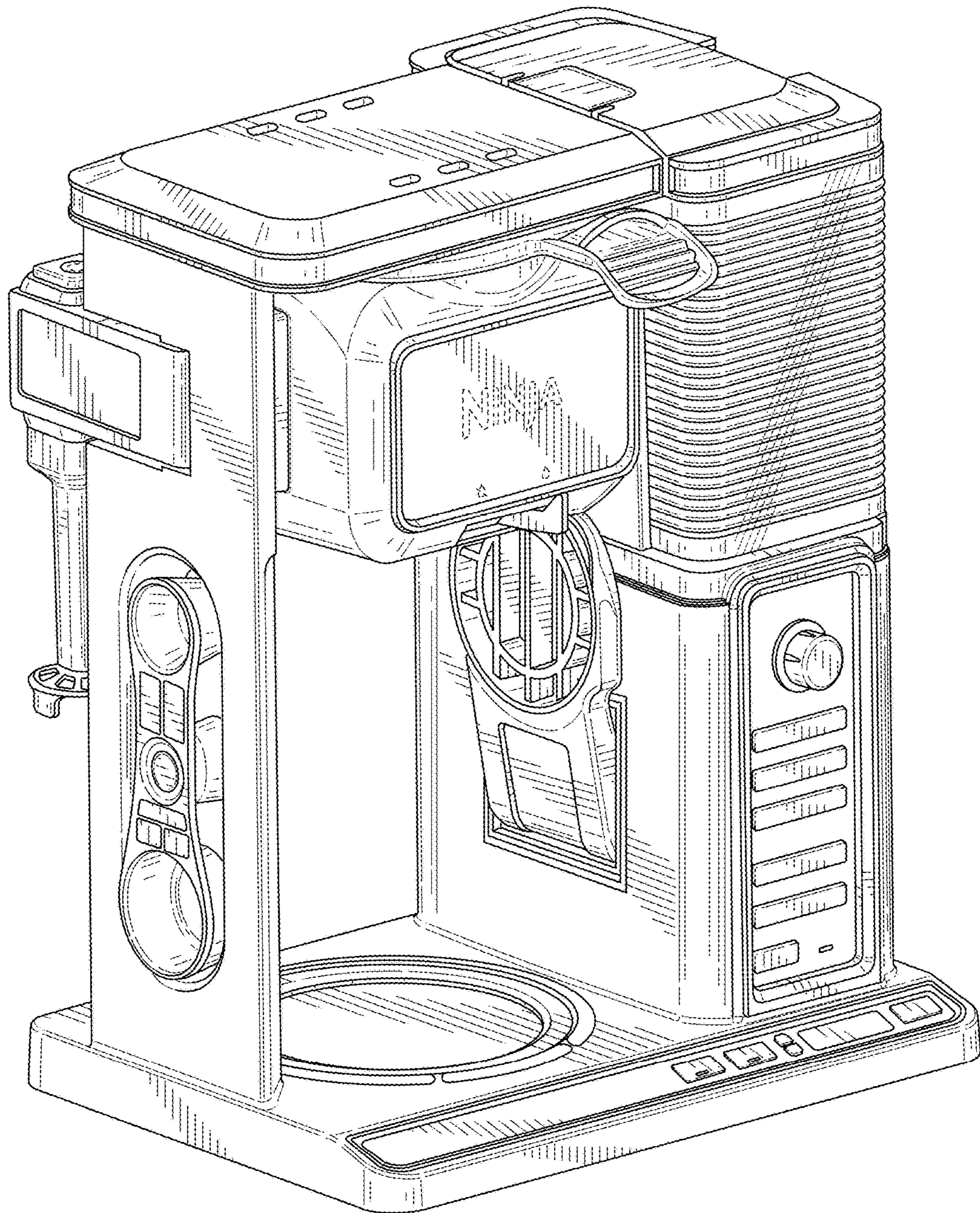


FIG. 1

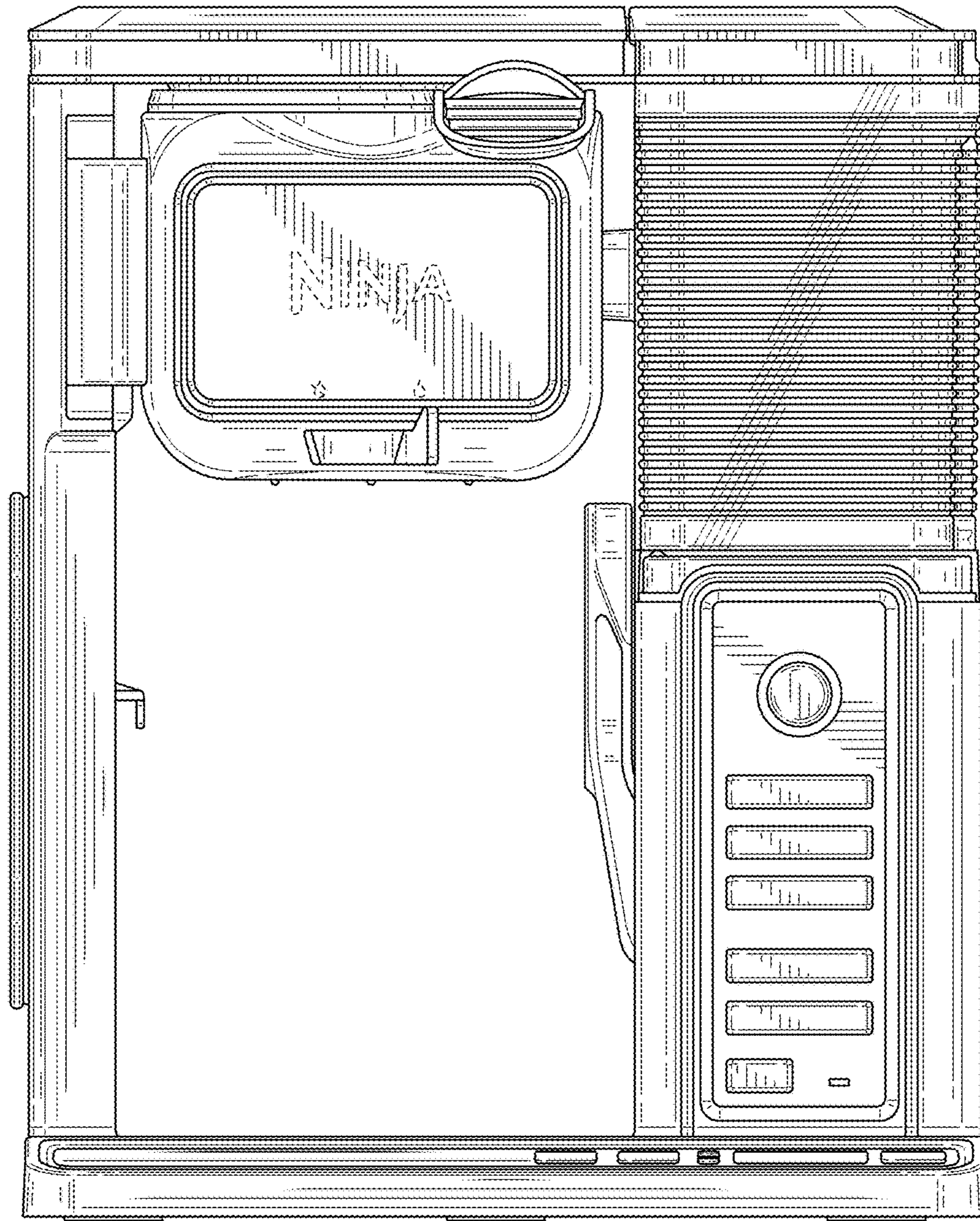


FIG. 2

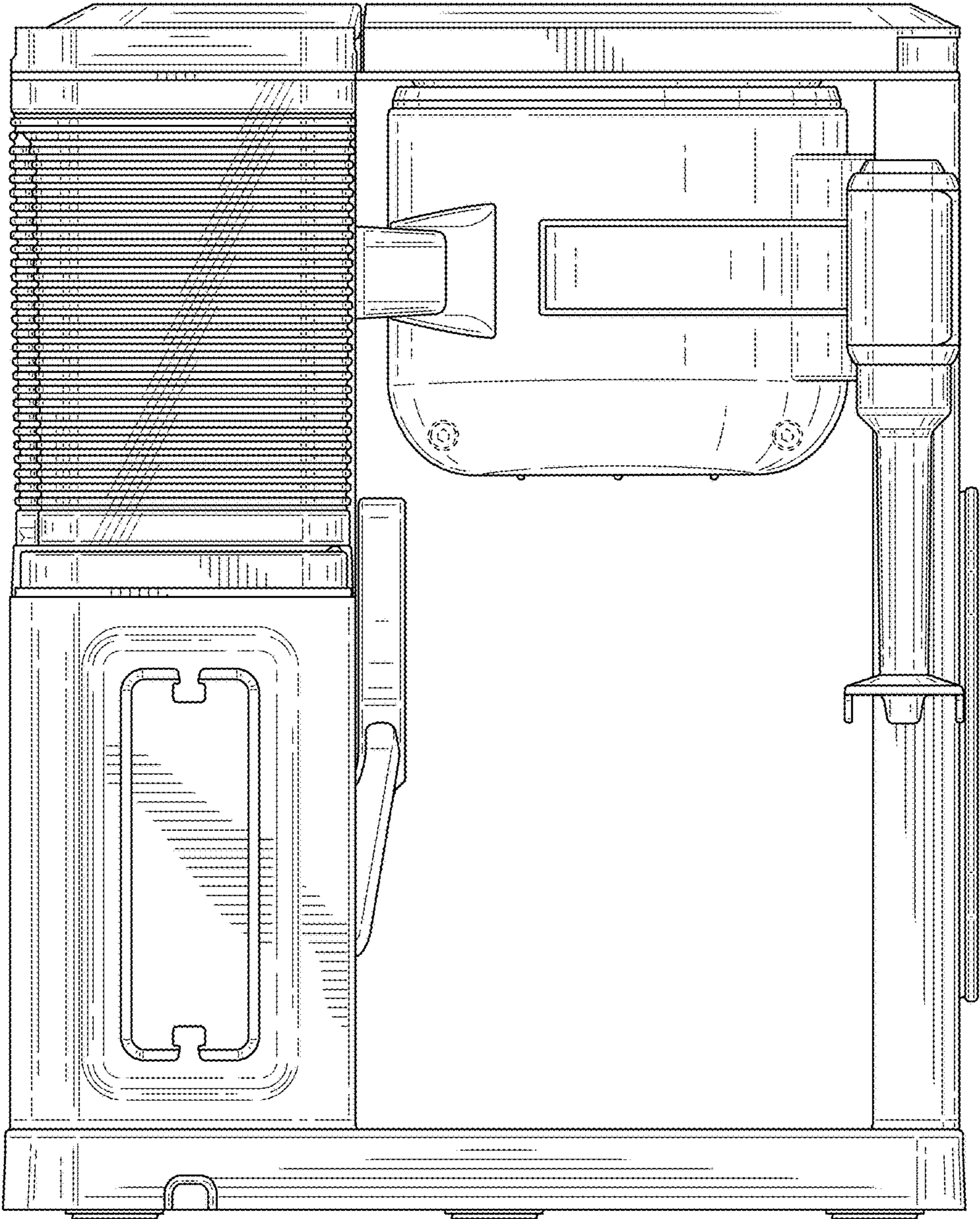


FIG. 3

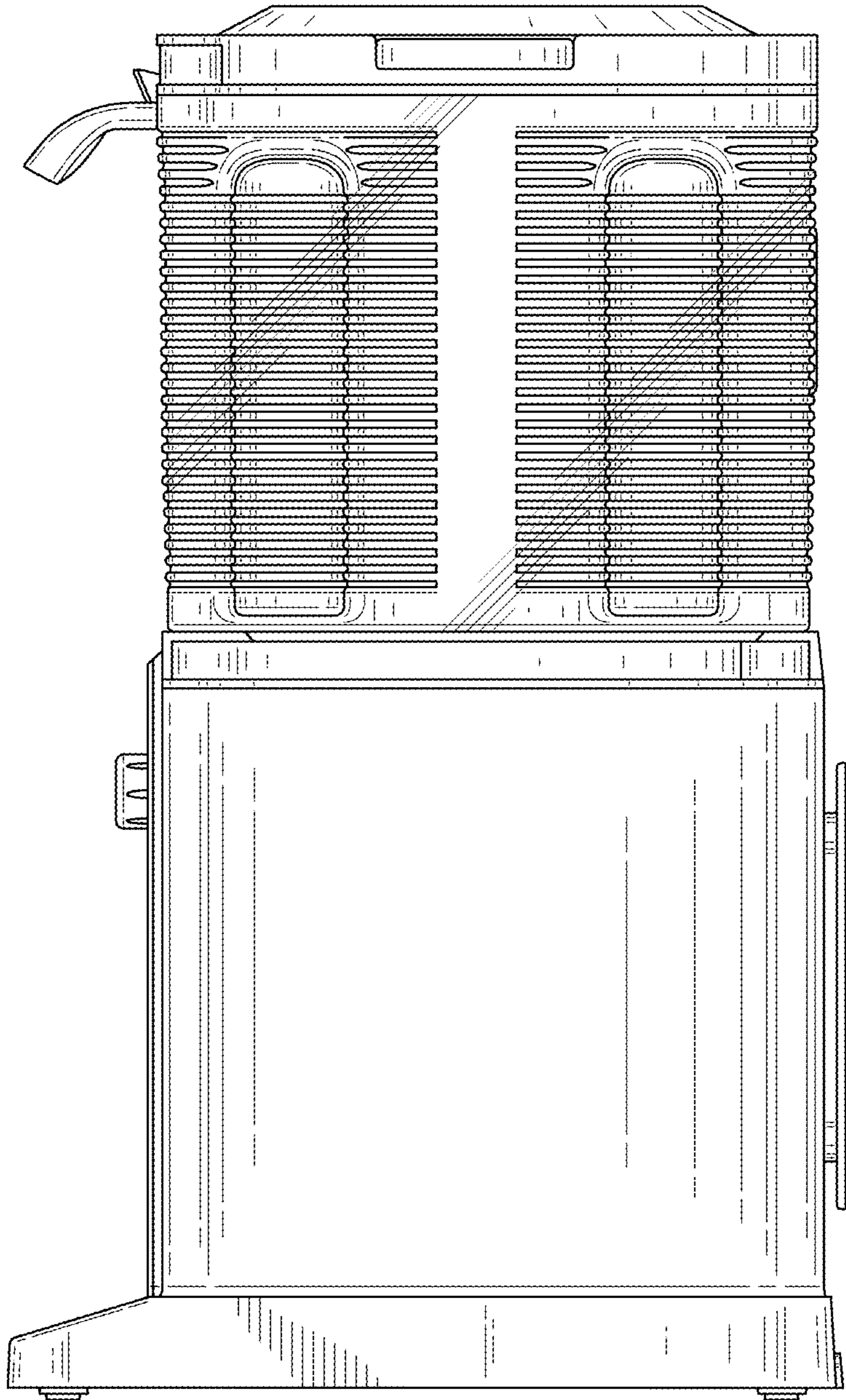


FIG. 4

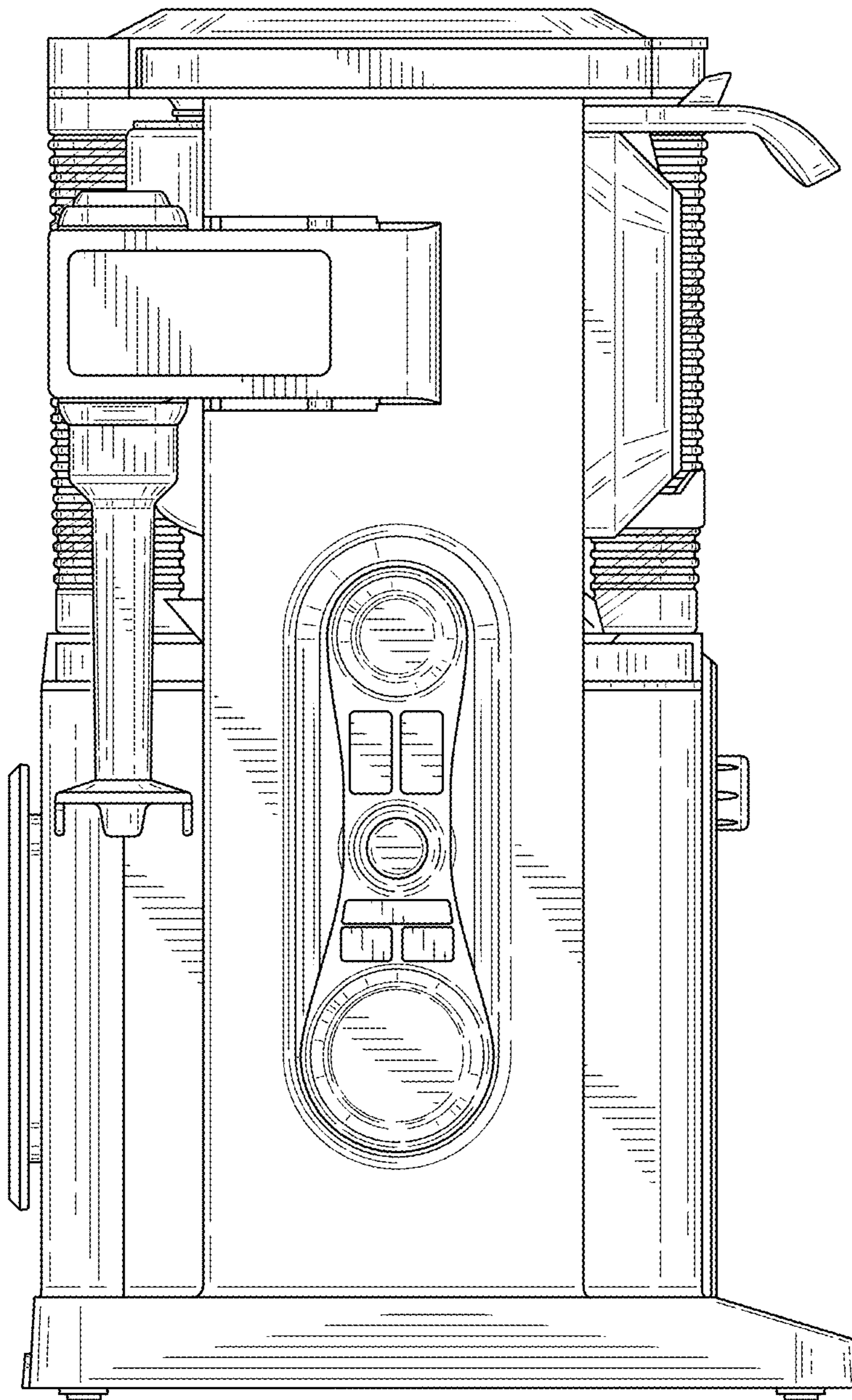


FIG. 5

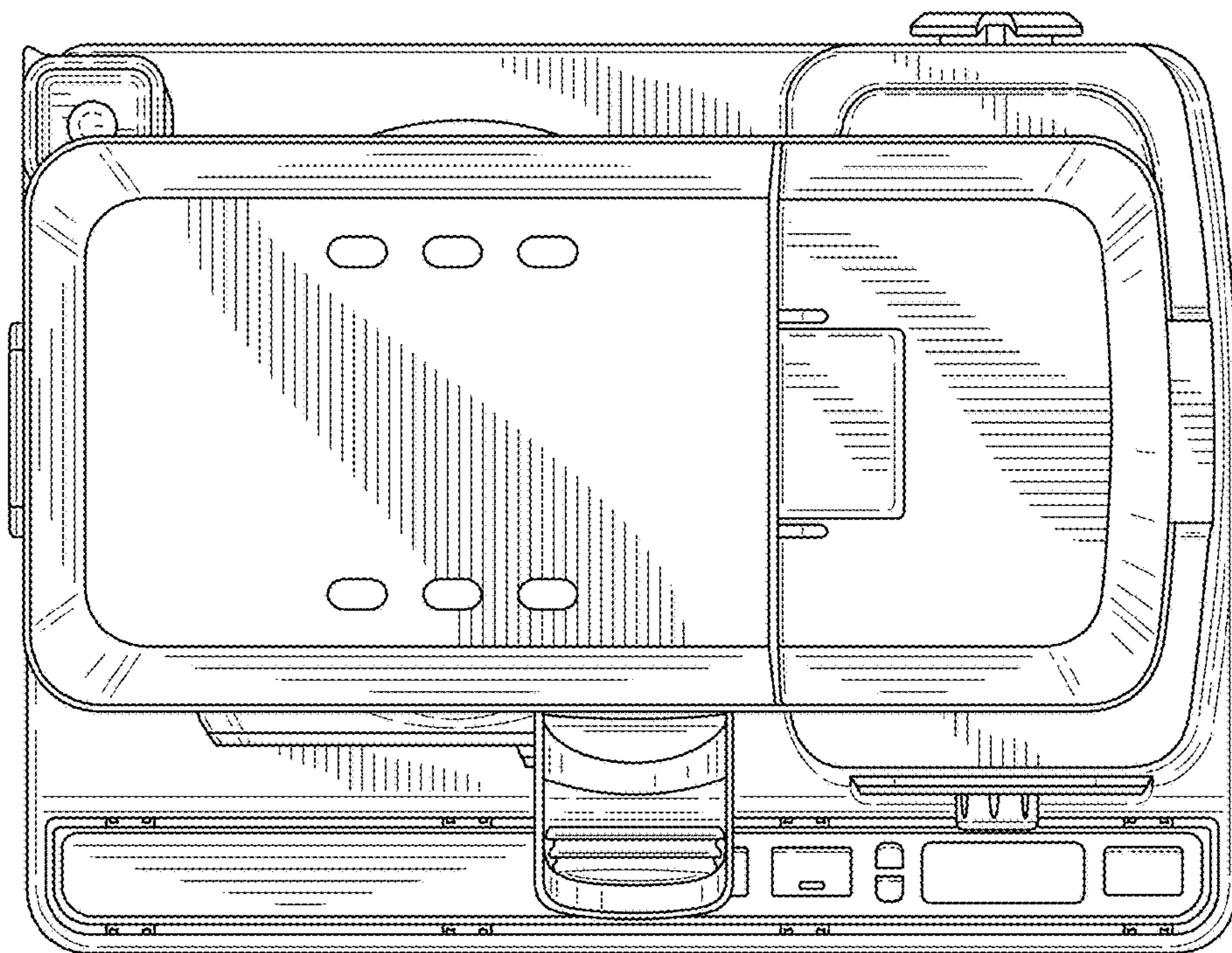


FIG. 6

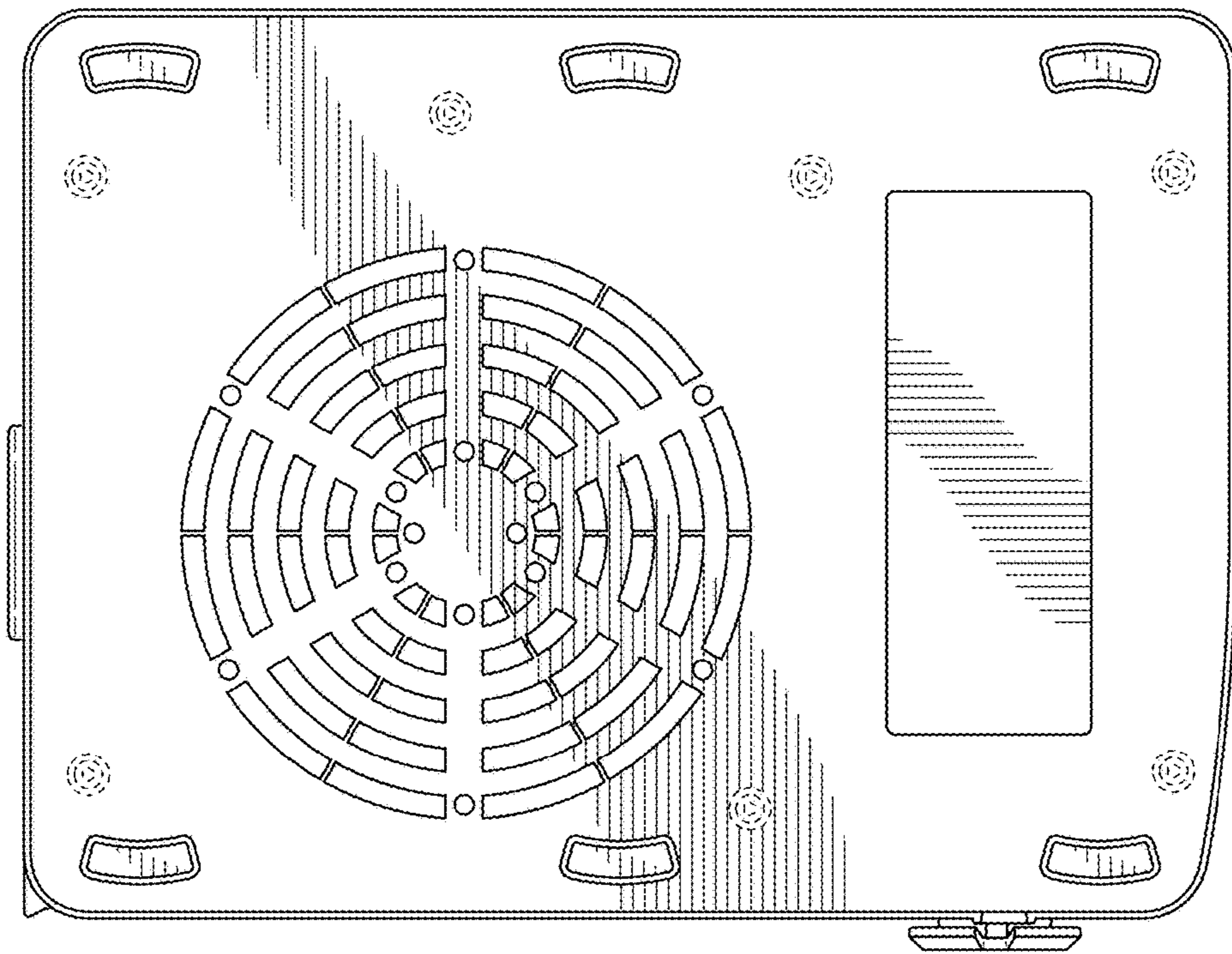


FIG. 7

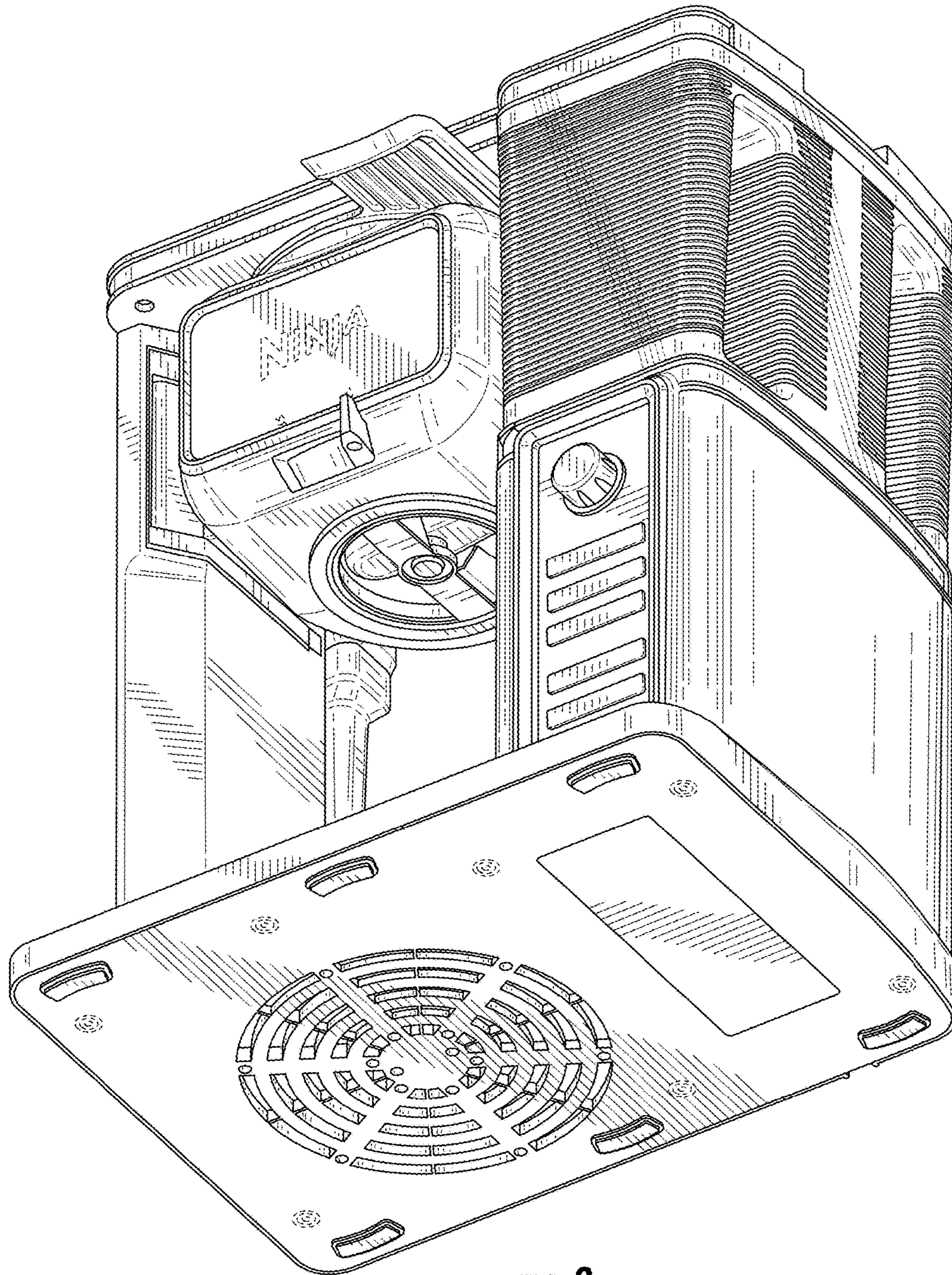


FIG. 8

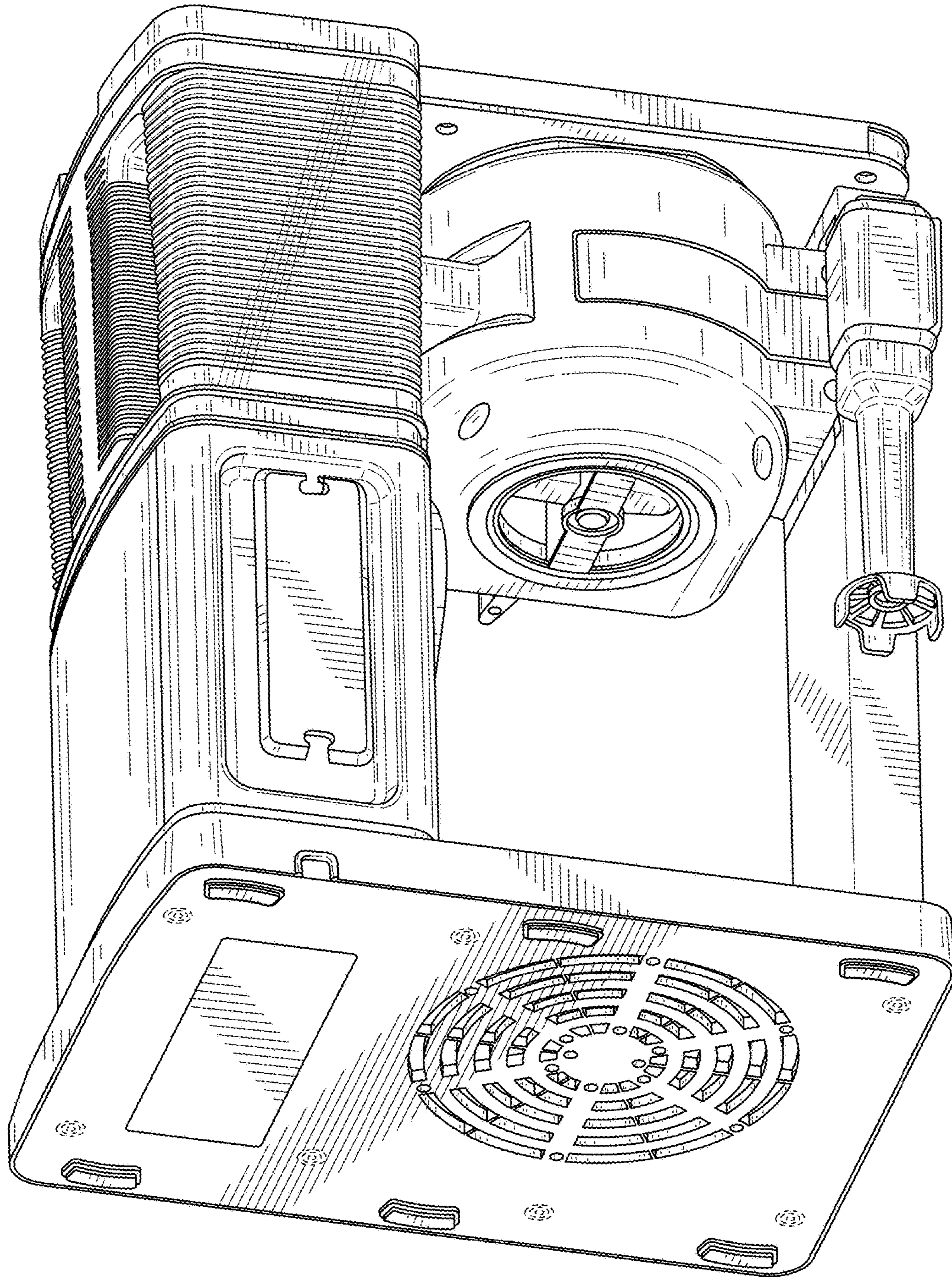


FIG. 9

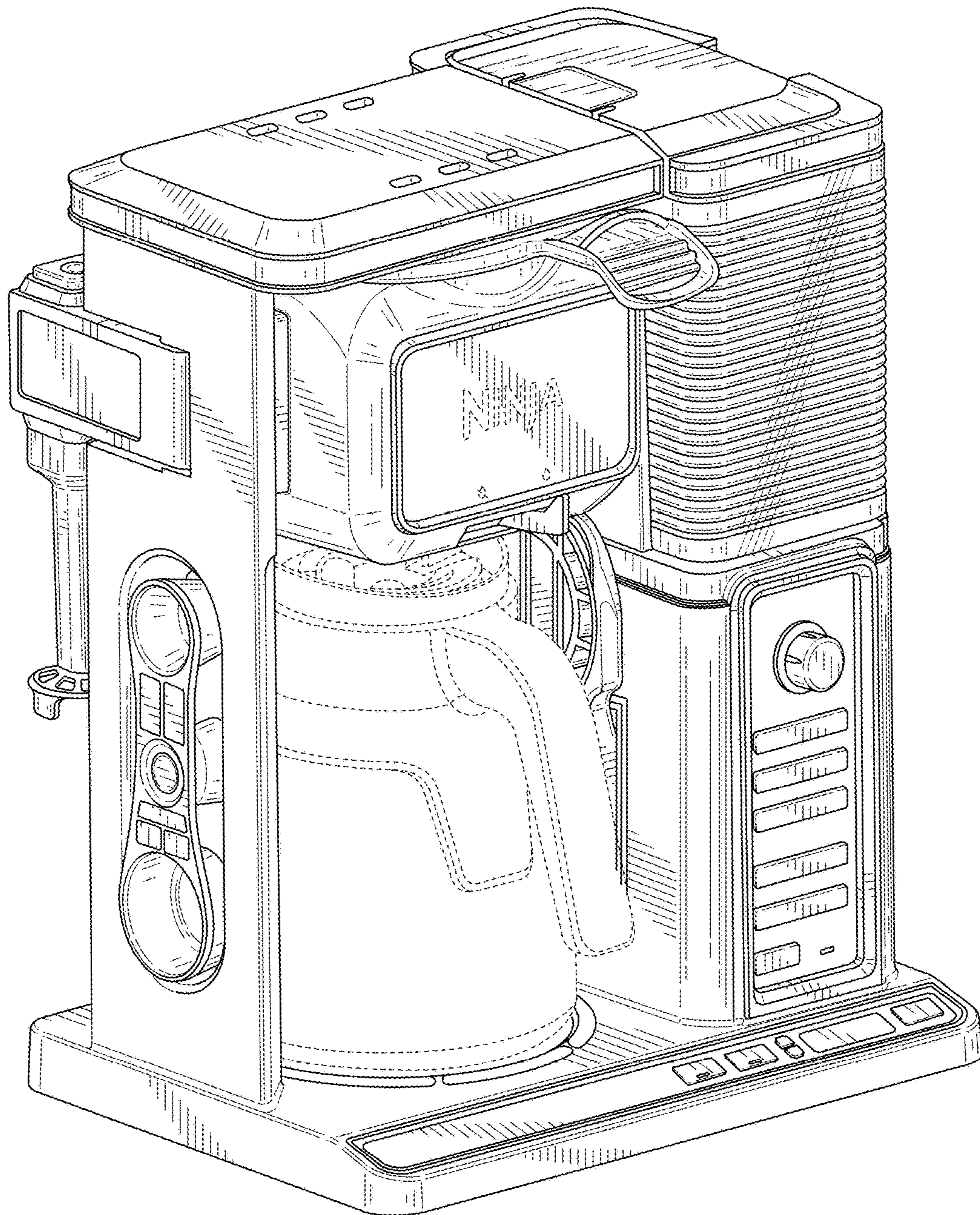


FIG. 10