



US00D823035S

(12) **United States Design Patent**
Ricica

(10) **Patent No.:** **US D823,035 S**
(45) **Date of Patent:** **** Jul. 17, 2018**

- (54) **COFFEE MAKER**
- (71) Applicant: **SharkNinja Operating LLC**, Newton, MA (US)
- (72) Inventor: **Aaron Ricica**, Brookline, MA (US)
- (73) Assignee: **SHARKNINJA OPERATING LLC**, Needham, MA (US)
- (**) Term: **15 Years**
- (21) Appl. No.: **29/564,776**
- (22) Filed: **May 16, 2016**
- (51) **LOC (11) Cl.** **07-01**
- (52) **U.S. Cl.**
USPC **D7/309; D7/311**
- (58) **Field of Classification Search**
USPC D7/305-311, 313; D15/82; 222/129.1, 222/146.6; 99/295
CPC A47J 31/44; A47J 31/4403; A47J 31/46; A47J 31/4482; A47J 31/369; A47J 31/407; A47J 31/10; A47J 31/467; A47J 31/0615; B67D 1/36; B67D 2210/0065; B67D 1/0864; B67D 3/0061
See application file for complete search history.

- D648,973 S * 11/2011 De' Longhi D7/309
 - D696,890 S * 1/2014 Poniedzialek D7/309
 - D713,668 S * 9/2014 Metaxatos D7/309
 - D727,084 S * 4/2015 Dorr D7/309
 - D730,675 S 6/2015 Williams et al.
 - D733,481 S * 7/2015 Rousselin D7/306
- (Continued)

OTHER PUBLICATIONS

Application for Registration of an Industrial Design Examiner's Report; Canadian Application No. 171623; dated Jul. 25, 2017; 1 Page.

(Continued)

Primary Examiner — Marianne Pandozzi
(74) *Attorney, Agent, or Firm* — Cantor Colburn LLP

(57) **CLAIM**

The ornamental design for coffee maker, as shown and described.

DESCRIPTION

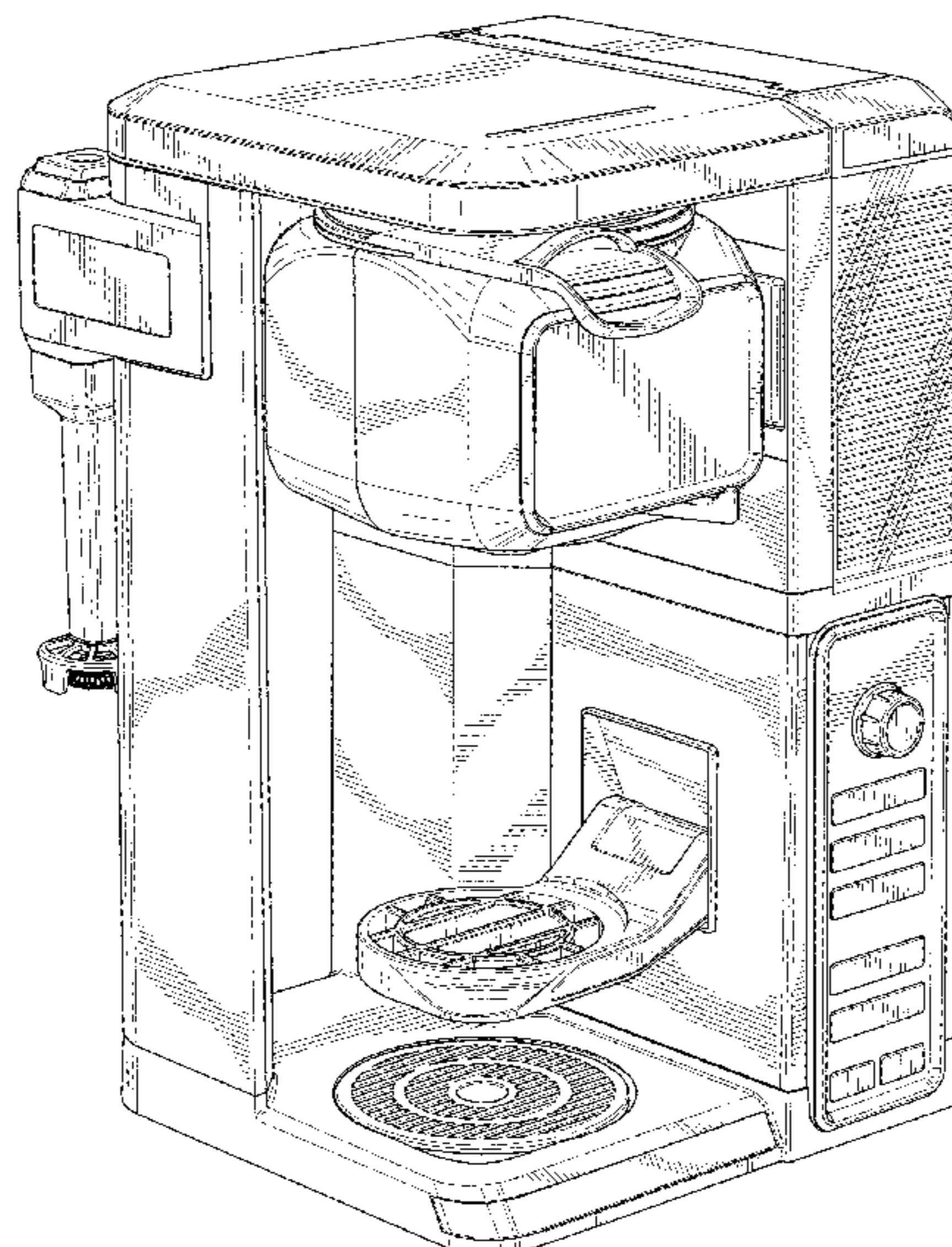
FIG. 1 is a perspective view of a coffee maker thereof, showing our new design in a first embodiment;
 FIG. 2 is a front view of the embodiment shown in FIG. 1;
 FIG. 3 is a rear view of the embodiment shown in FIG. 1;
 FIG. 4 is side view of the embodiment shown in FIG. 1;
 FIG. 5 is another side view of the embodiment shown in FIG. 1;
 FIG. 6 is a top view of the embodiment shown in FIG. 1;
 FIG. 7 is a bottom view of the embodiment shown in FIG. 1;
 FIG. 8 is another perspective view of the embodiment shown in FIG. 1; and,
 FIG. 9 is yet another perspective view of the embodiment shown in FIG. 1.
 The oblique line shading shows a transparent or translucent surface.

(56) **References Cited**

U.S. PATENT DOCUMENTS

- D213,577 S 3/1969 Douglas
- D225,365 S 12/1972 Beckman
- 4,590,975 A * 5/1986 Credle, Jr. B67D 1/08 141/1
- D558,507 S 1/2008 Picozza et al.
- D562,052 S * 2/2008 De Pra' D7/309
- D581,717 S * 12/2008 Parker D7/309
- D584,912 S 1/2009 Green et al.
- D585,691 S * 2/2009 Borin D7/309
- D598,693 S * 8/2009 Kindler D7/306
- D598,695 S * 8/2009 Currie D7/309

1 Claim, 9 Drawing Sheets



(56)

References Cited

U.S. PATENT DOCUMENTS

D742,159 S	*	11/2015	Doria	D7/309
D752,377 S		3/2016	Maitland et al.	
D765,454 S	*	9/2016	Romandy	D7/309
D769,662 S	*	10/2016	Palermo	D7/306
D770,831 S	*	11/2016	Affatato	D7/309
D770,832 S	*	11/2016	Affatato	D7/309
D771,992 S	*	11/2016	Yang	D7/306
D778,098 S	*	2/2017	Horimoto	D7/306
D782,242 S	*	3/2017	Lee	D7/306
D792,731 S	*	7/2017	Palermo	D7/306
2015/0190011 A1	*	7/2015	Minard	B67D 1/0041 426/231

OTHER PUBLICATIONS

Preliminary Rejection; Korean Application No. 30-2016-0053875; dated Jul. 4, 2017; 3 Pages.
 Preliminary Rejection; Korean Application No. 30-2016-0053877; dated Jul. 4, 2017; 4 Pages.
 Preliminary Rejection; Korean Application No. 30-2016-0053878; dated Jul. 4, 2017; 2 Pages.
 Preliminary Rejection; Korean Application No. 30-2016-0053879; dated Jul. 4, 2017; 5 Pages.
 Preliminary Rejection; Korean Application No. 30-2016-0053882; dated Jul. 4, 2017; 5 Pages.
 Preliminary Rejection; Korean Application No. 30-2016-0053885; dated Jul. 4, 2017; 5 Pages.
 Decision to Dismiss the Amendment; Korean Application No. 30-2016-0053885; dated Jul. 6, 2017; 5 Pages.
 Application for Registration of an Industrial Design Examiner's Report; Canadian Application No. 171623; dated Feb. 17, 2017; 1 Page.
 Non-Final Office Action; U.S. Appl. No. 29/564,778, filed May 16, 2016; Carafe; dated Mar. 10, 2017; 9 Pages.
 Notice of Allowance; Japanese Design Application No. 2016-024849; dated Mar. 31, 2017; 2 Pages.

Notice of Allowance; Japanese Design Application No. 2016-024850; dated Mar. 31, 2017; 2 Pages.
 Notice of Allowance; Japanese Design Application No. 2016-024851; dated Mar. 31, 2017; 2 Pages.
 Notice of Allowance; Japanese Design Application No. 2016-024852; dated Mar. 31, 2017; 2 Pages.
 Notice of Allowance; Japanese Design Application No. 2016-024853; dated Mar. 31, 2017; 2 Pages.
 Notice of Allowance; Japanese Design Application No. 2016-024854; dated Mar. 31, 2017; 2 Pages.
 Notice of Allowance; Japanese Design Application No. 2016-024855; dated Mar. 31, 2017; 2 Pages.
 Notice of Completion of Formalities for Patent Register and Notice of Grant of Design Patent Right; Chinese Application No. 2016305567649; dated Jan. 19, 2017; 5 Pages.
 Notice of Completion of Formalities for Patent Register and Notice of Grant of Design Patent Right; Chinese Application No. 2016305570459; dated Jan. 19, 2017; 5 Pages.
 Notice of Completion of Formalities for Patent Register and Notice of Grant of Design Patent Right; Chinese Application No. 201630557068X; dated Jan. 19, 2017; 5 Pages.
 Notice of Completion of Formalities for Patent Register and Notice of Grant of Design Patent Right; Chinese Application No. 2016305573207; dated Jan. 17, 2017; 5 Pages.
 Notice of References; Japanese Design Application No. 2016-024849; dated Mar. 31, 2017; 2 Pages.
 Notice of References; Japanese Design Application No. 2016-024850; dated Mar. 31, 2017; 2 Pages.
 Application for Registration of an Industrial Design Examiner's Report; Canadian Application No. 171623; dated Nov. 14, 2017; 2 Pages.
 Notice of Allowance; U.S. Appl. No. 29/564,778; filed May 16, 2016; CARAFE; dated Jul. 13, 2017; 10 Pages.
 Requirement for Restriction/Election; U.S. Appl. No. 29/564,780; filed May 16, 2016; Coffee Maker and Components Thereof; dated Dec. 7, 2017; 18 Pages.

* cited by examiner

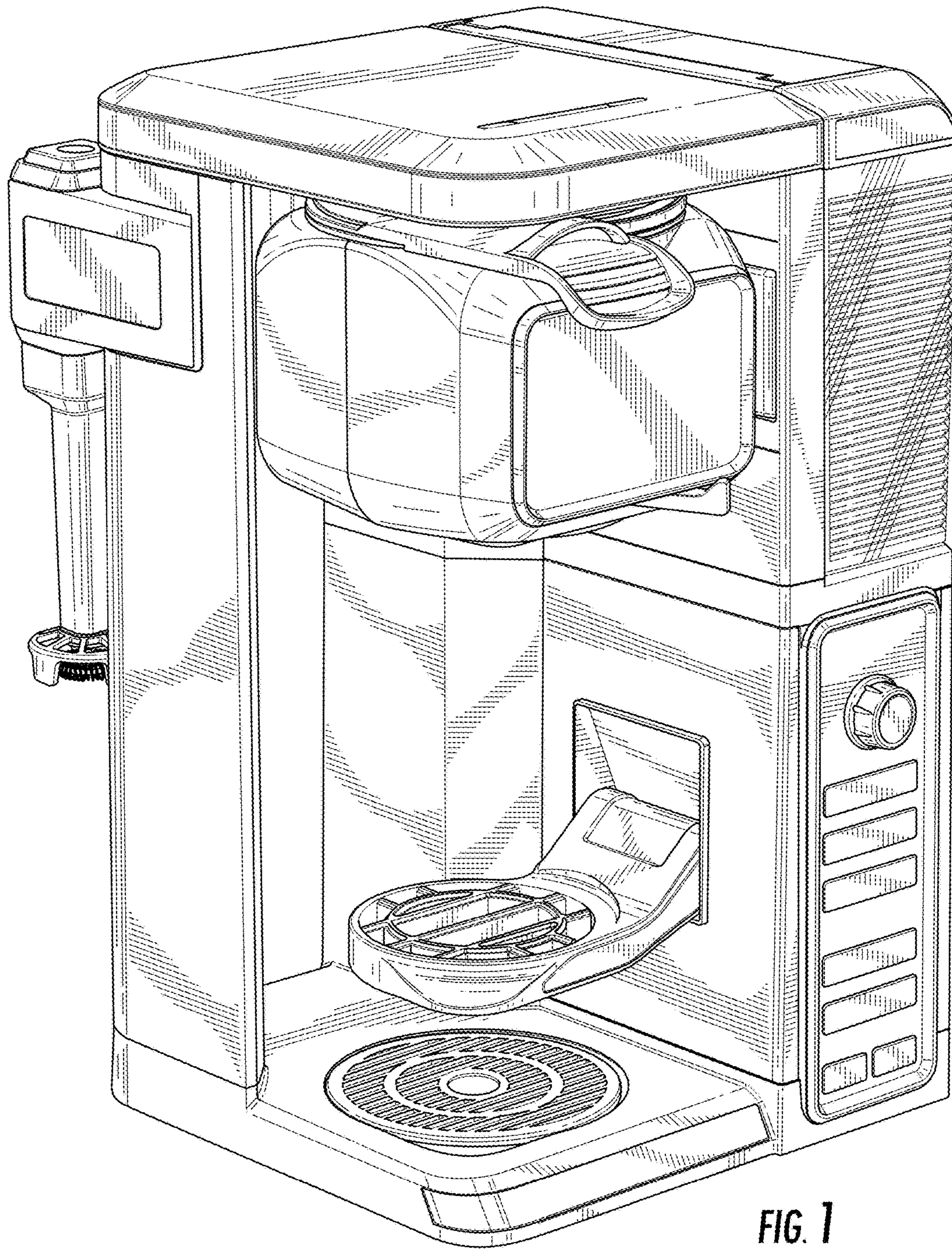


FIG. 1

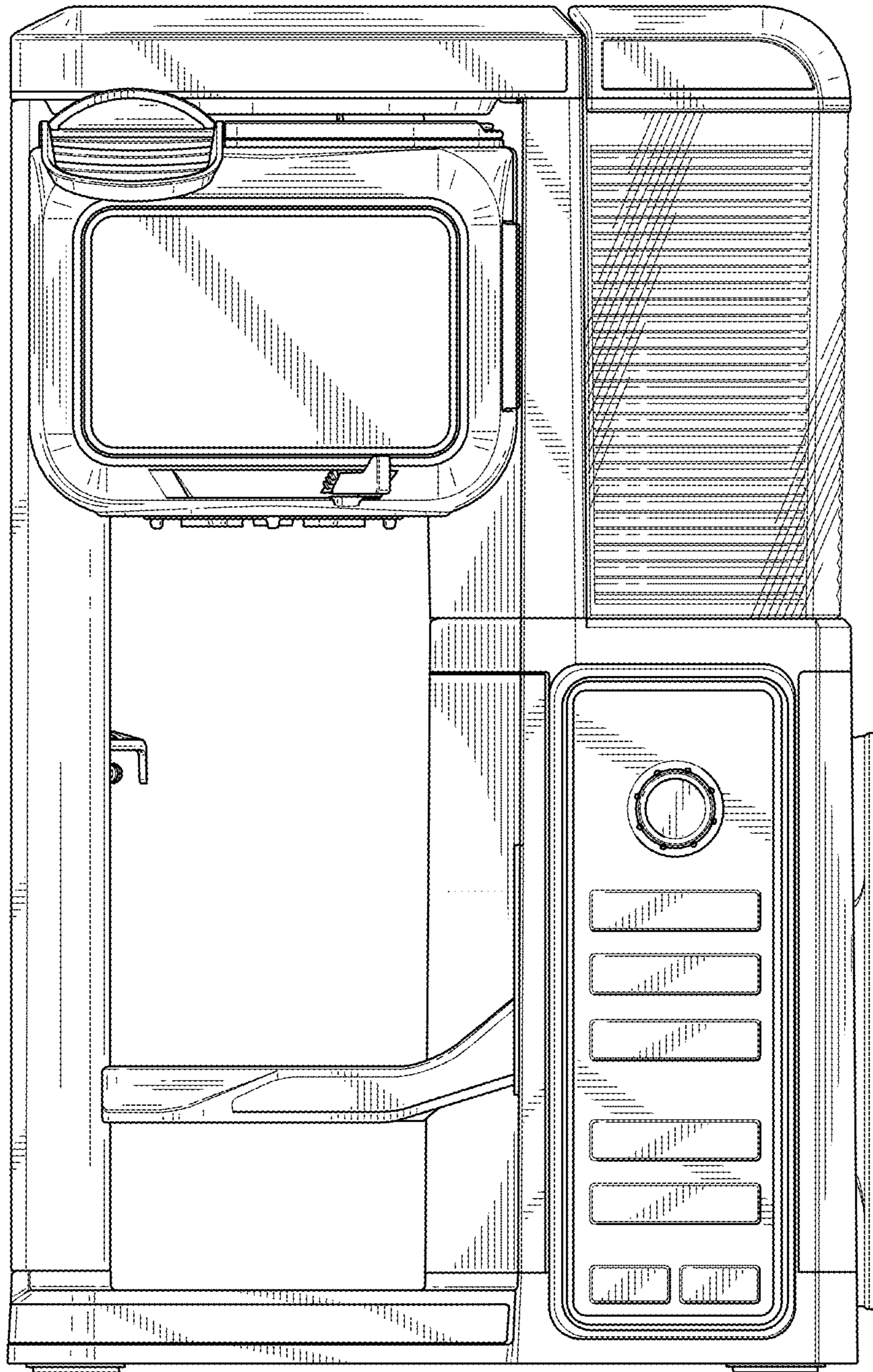


FIG. 2

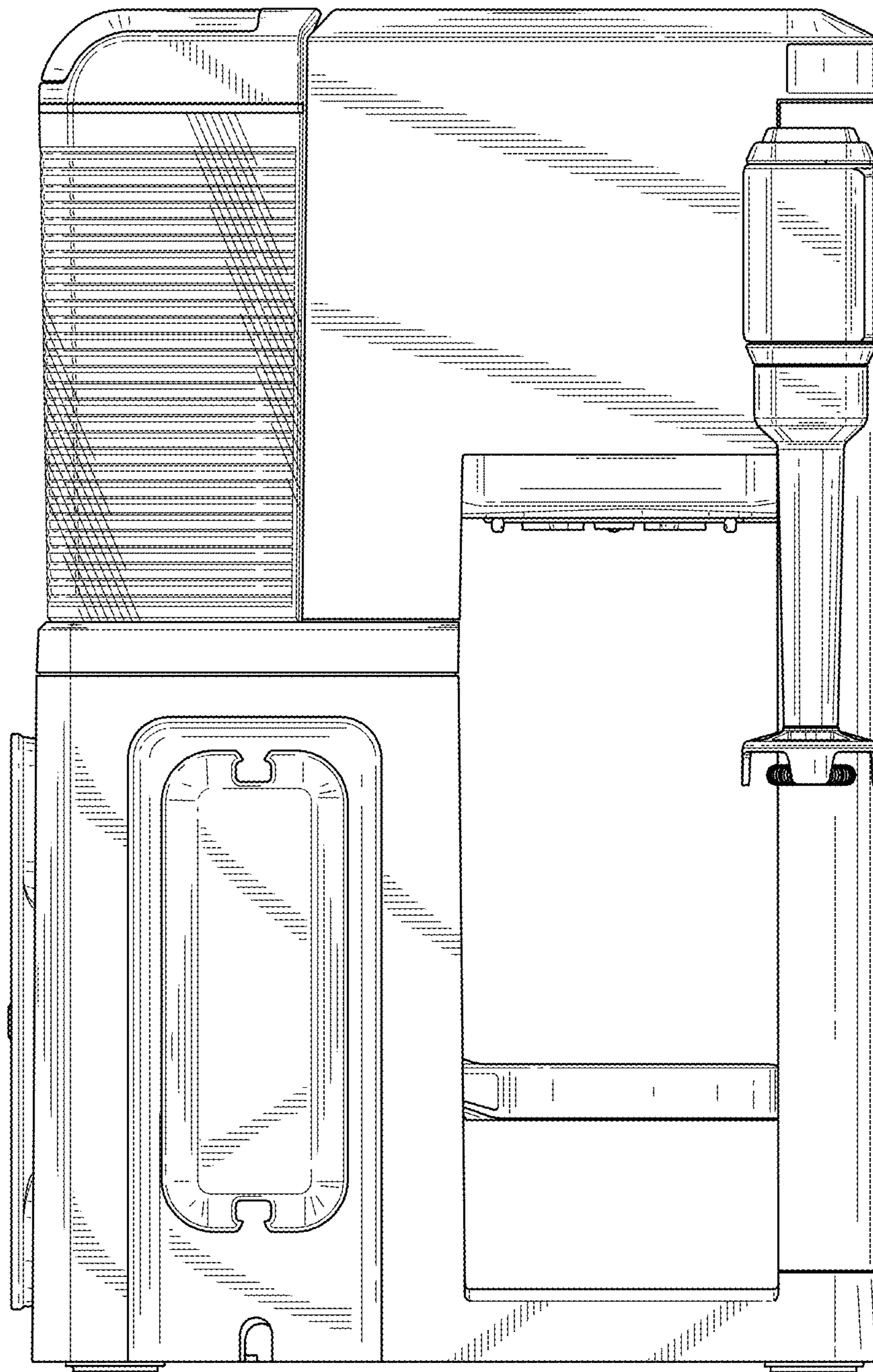


FIG. 3

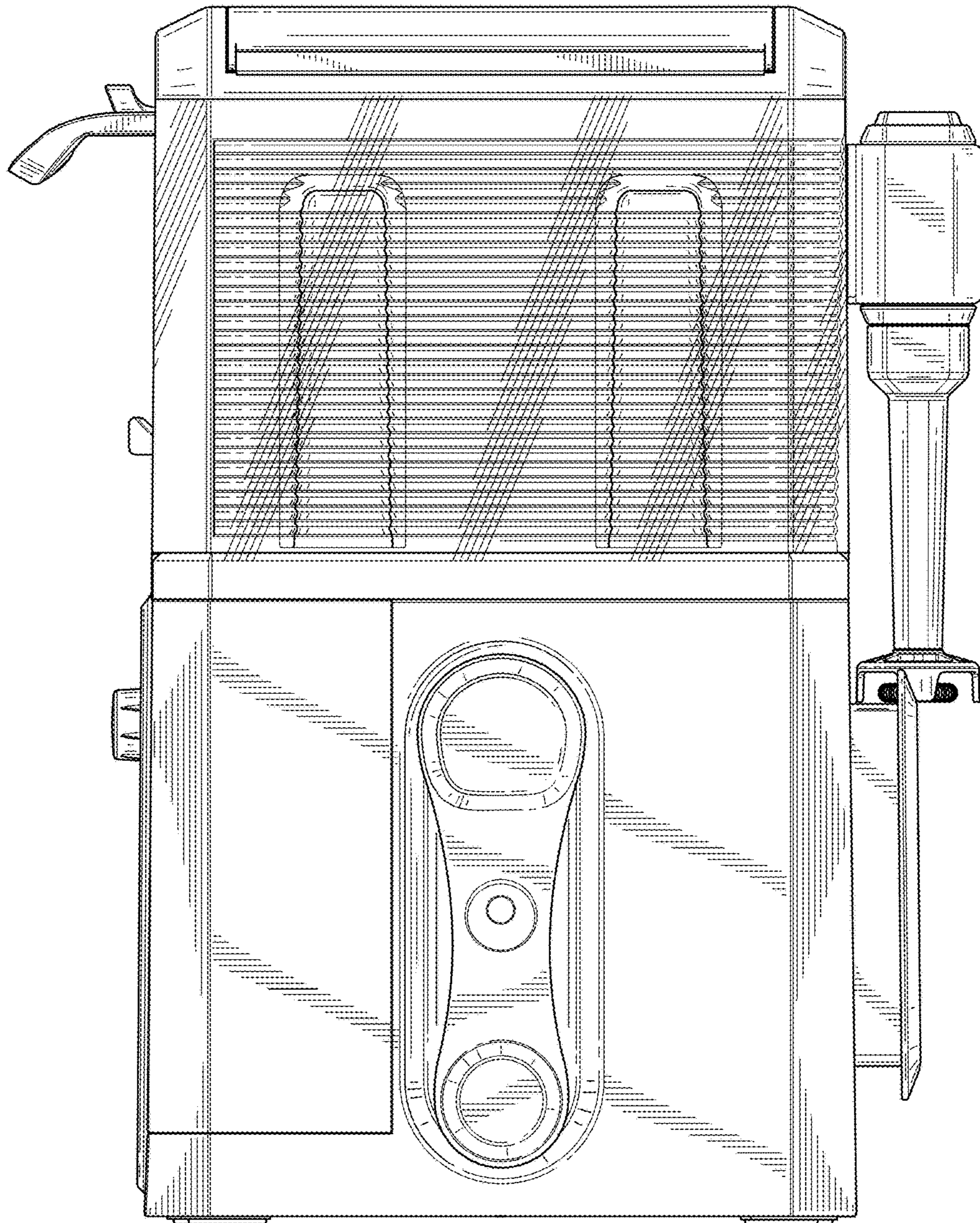


FIG. 4

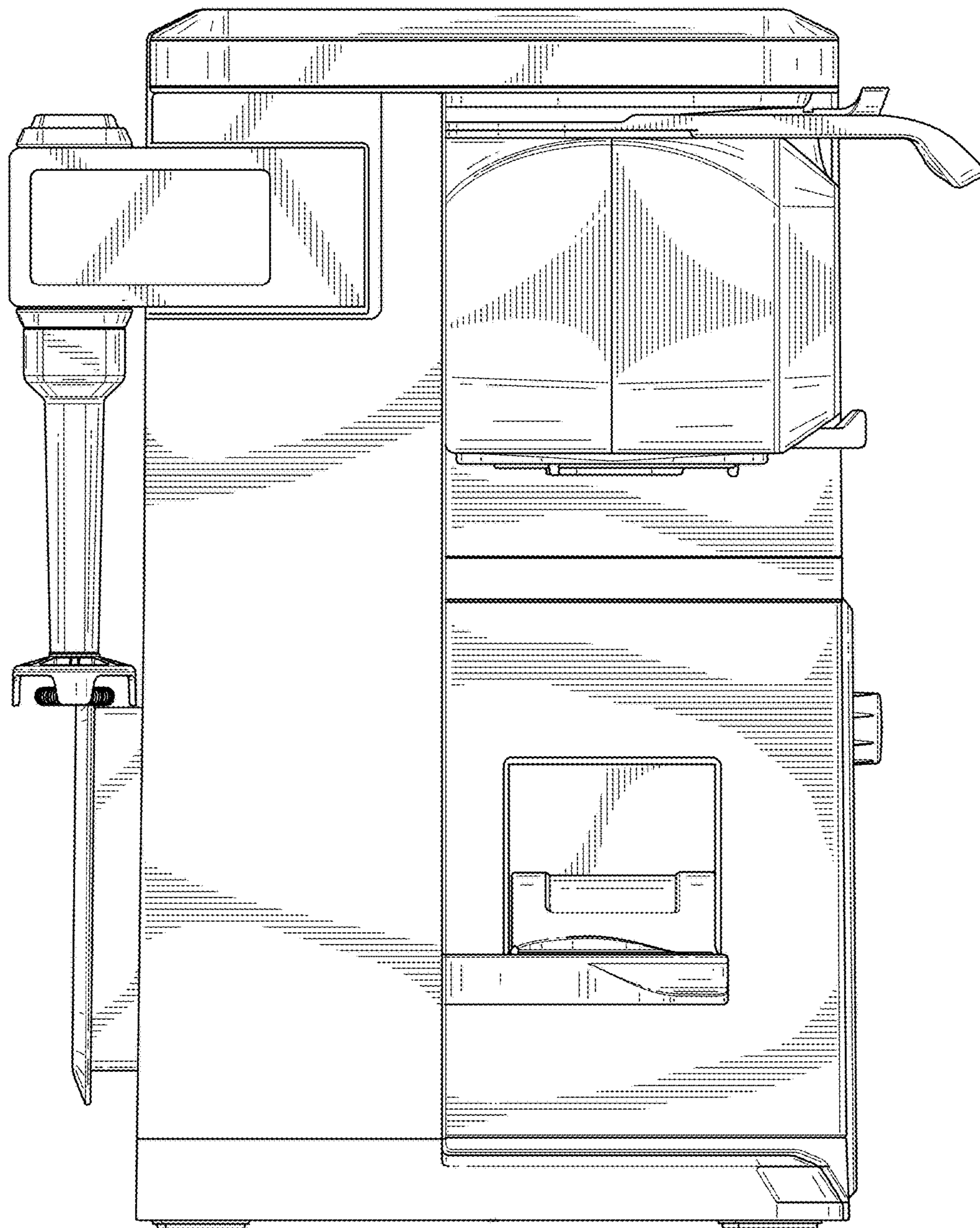


FIG. 5

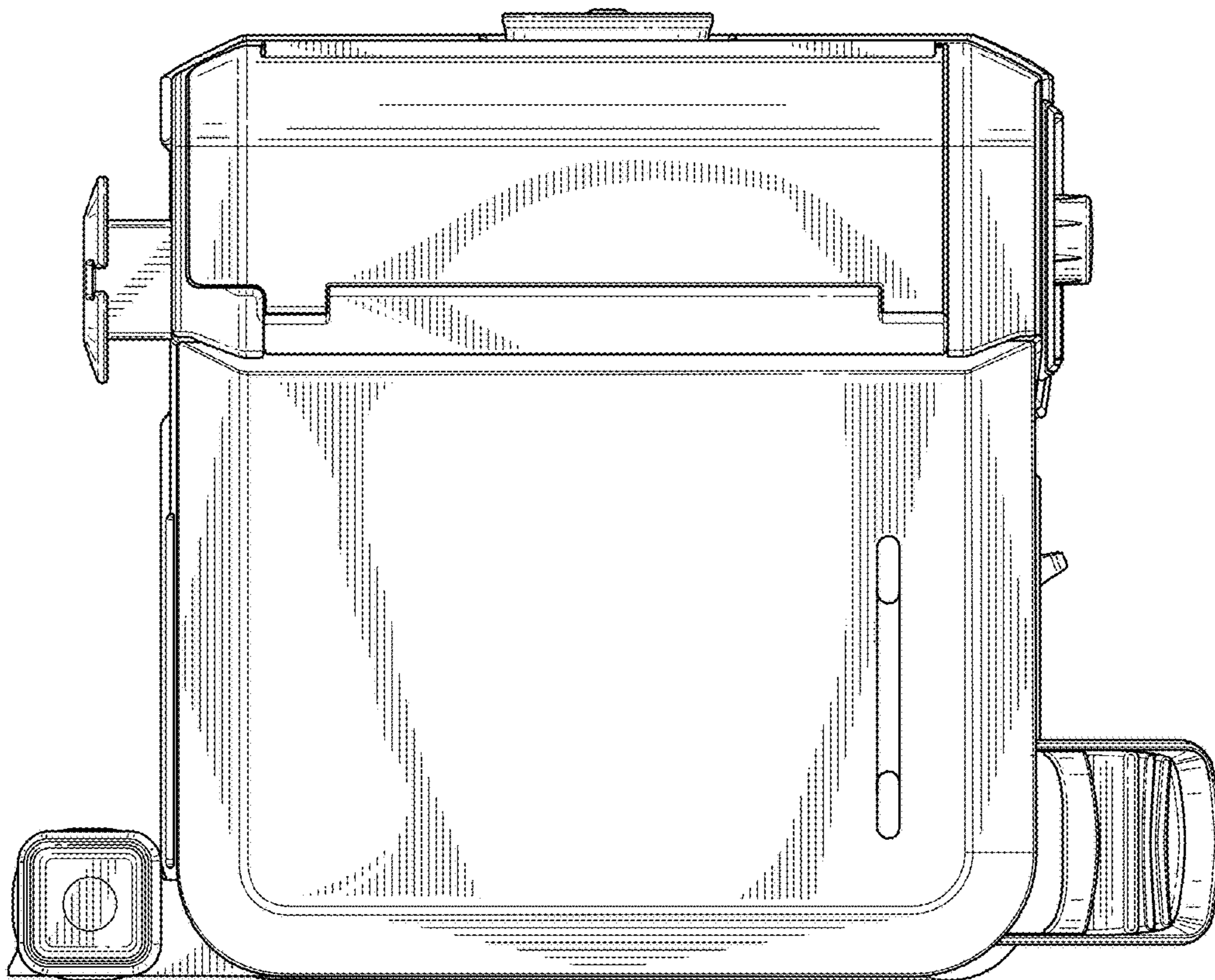


FIG. 6

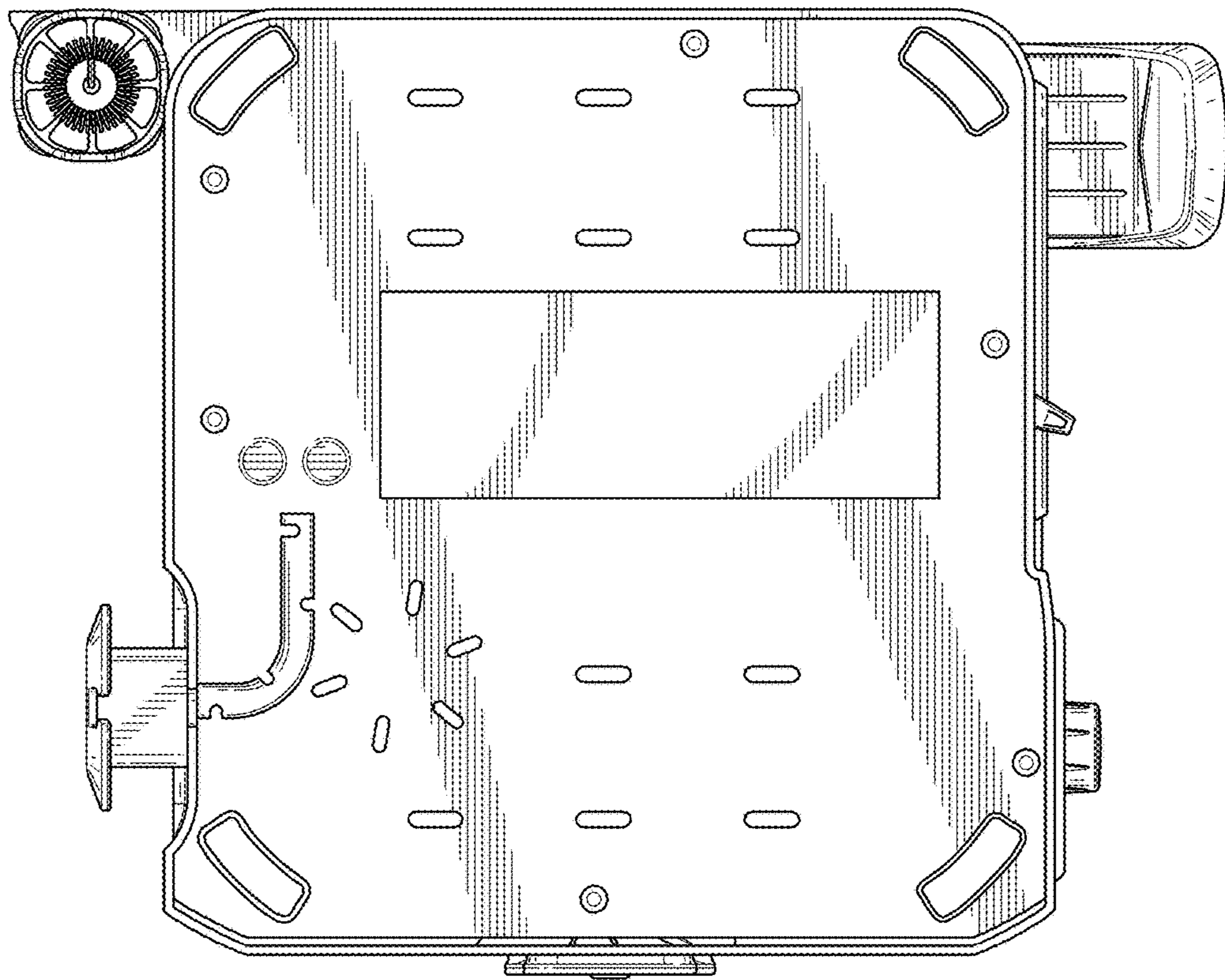


FIG. 7

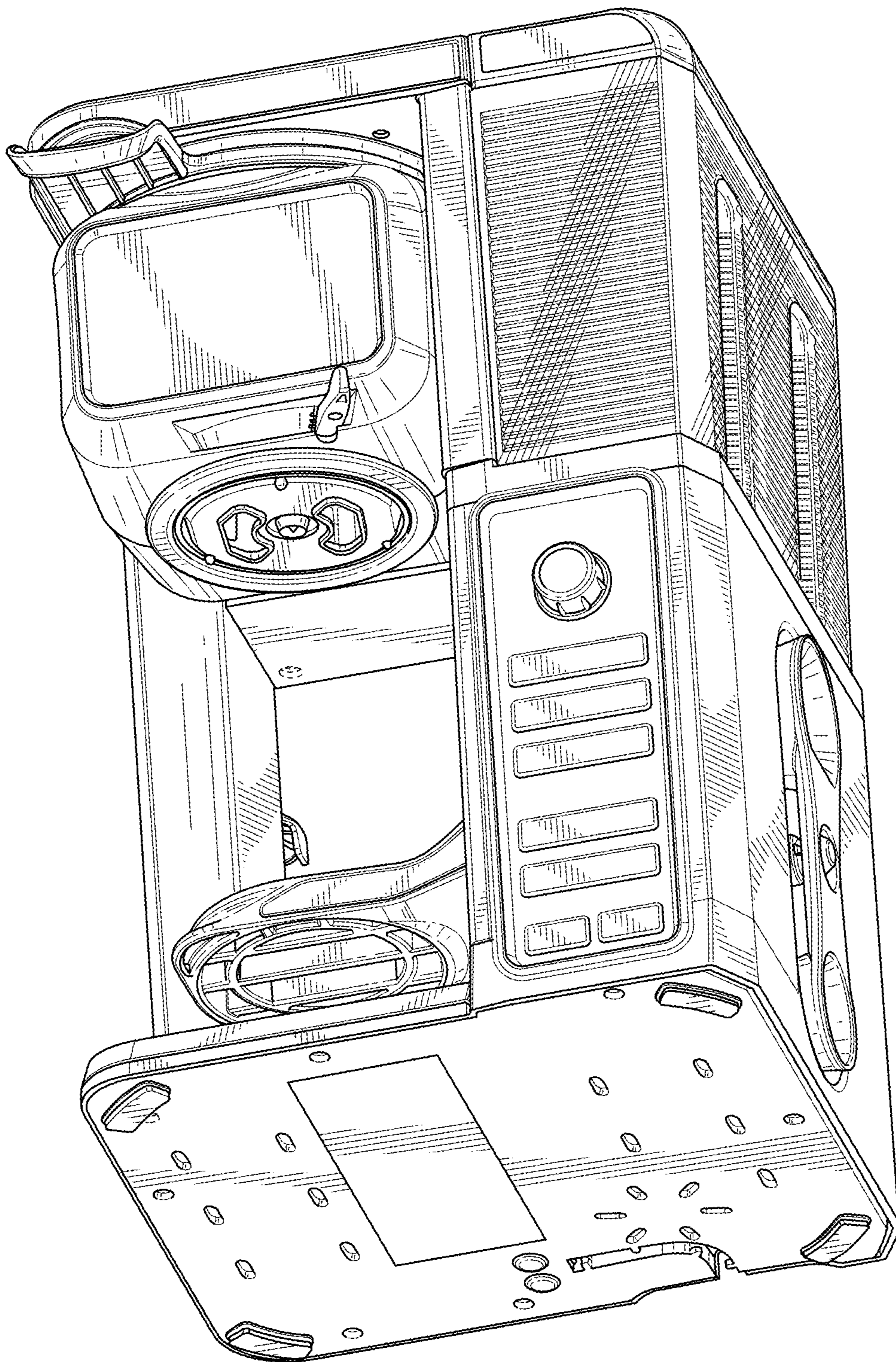


FIG. 8

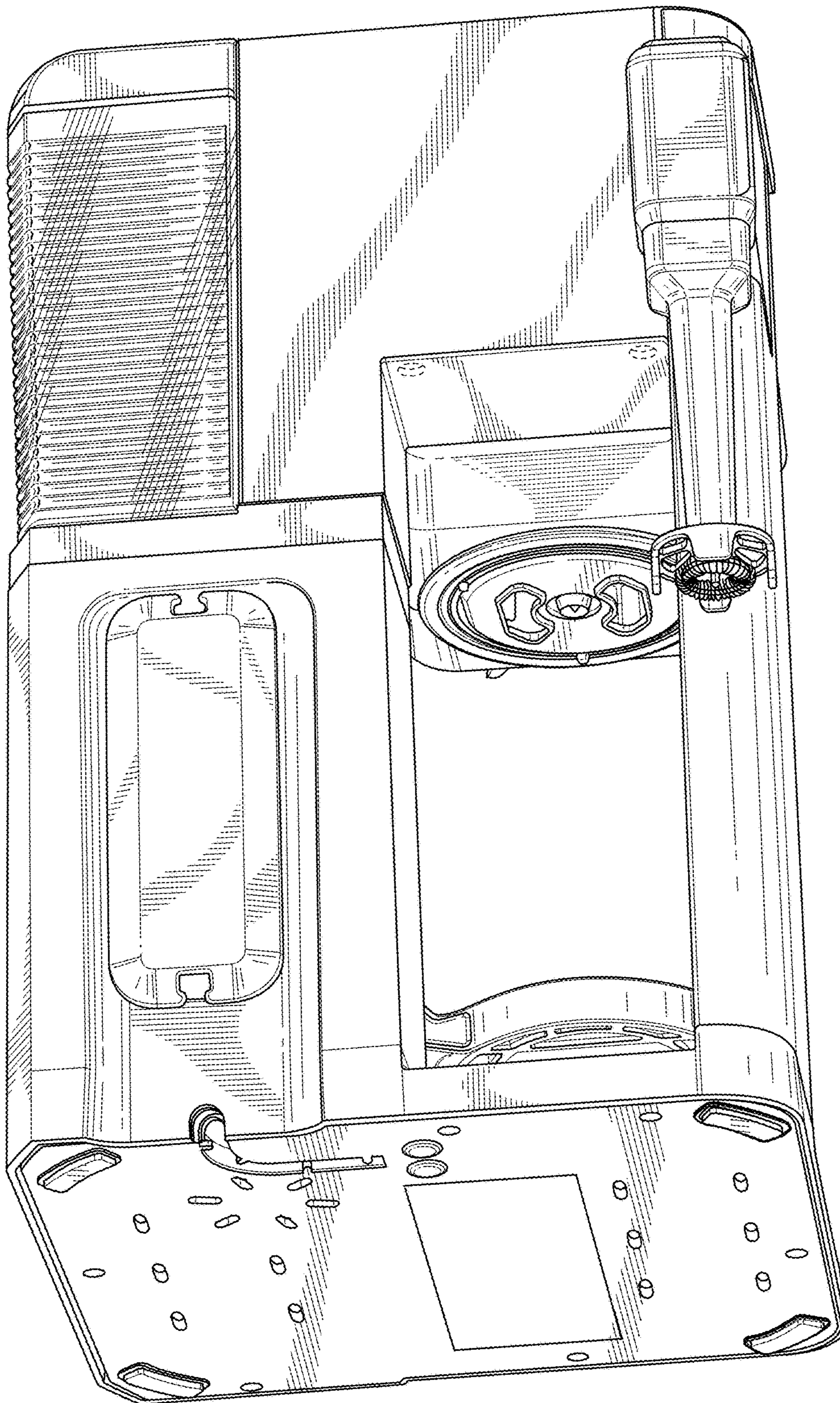


FIG. 9