



US00D823034S

(12) **United States Design Patent**  
**Cailleton**

(10) **Patent No.:** **US D823,034 S**  
(45) **Date of Patent:** **\*\* Jul. 17, 2018**

(54) **PORTABLE MANUALLY-OPERATED COFFEE MAKER**

(71) Applicant: **Hua Ku (Shunde) Tech Electric Co., Ltd**, Foshan (CN)

(72) Inventor: **Hugo Yves Lucien Cailleton**, Foshan (CN)

(73) Assignee: **HUA KU (SHUNDE) TECH ELECTRIC CO., LTD**, Foshan, Guangdong Province (CN)

(\*\*) Term: **15 Years**

(21) Appl. No.: **29/637,072**

(22) Filed: **Feb. 13, 2018**

(51) **LOC (11) Cl.** ..... **07-01**

(52) **U.S. Cl.**  
USPC ..... **D7/300; D7/507; D7/399**

(58) **Field of Classification Search**  
USPC ..... **D7/507, 397, 399, 400, 306, 300, 313; 99/295**  
CPC .. **A47J 31/44; A47J 31/02; A47J 31/16; A47J 31/005**  
See application file for complete search history.

(56) **References Cited**

**U.S. PATENT DOCUMENTS**

D650,625 S \* 12/2011 Fiori ..... D7/306  
D723,867 S \* 3/2015 Andreesen ..... D7/397  
D759,416 S \* 6/2016 Kim ..... D7/306

D766,643 S \* 9/2016 Brensinger ..... A47K 3/288  
D7/300  
D769,046 S \* 10/2016 Beckman ..... B65D 25/28  
D7/300  
D796,241 S \* 9/2017 Mangold ..... D7/306  
D799,894 S \* 10/2017 Gaeta ..... D7/397  
2013/0011521 A1\* 1/2013 Weijers ..... A47J 31/36  
426/87  
2016/0000253 A1\* 1/2016 Song ..... A47J 31/38  
99/295  
2016/0227959 A1\* 8/2016 Yoon ..... A47J 31/06  
2016/0262564 A1\* 9/2016 Scott ..... A47J 31/005

\* cited by examiner

*Primary Examiner* — Marianne Pandozzi

(74) *Attorney, Agent, or Firm* — Ming Chow Sincorica, LLC

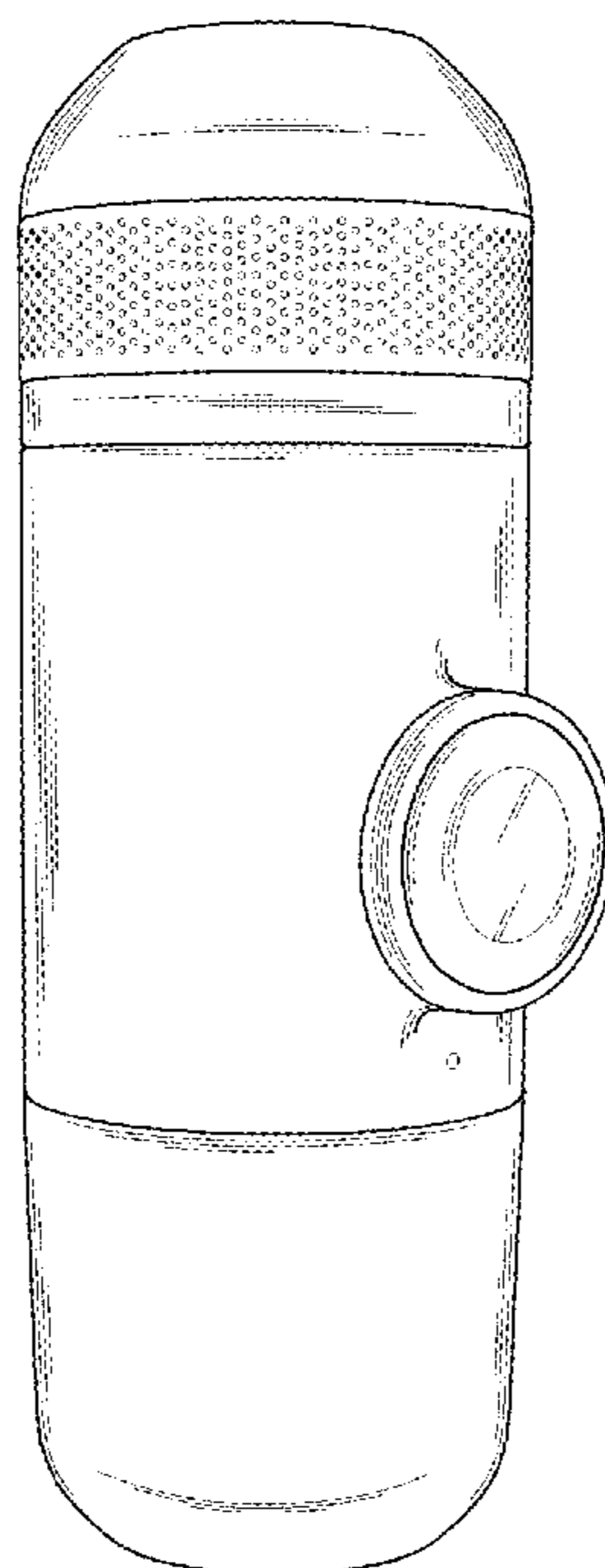
(57) **CLAIM**

The ornamental design for a portable manually-operated coffee maker, as shown and described.

**DESCRIPTION**

FIG. 1 is a top perspective view of a portable manually-operated coffee maker showing my new design;  
FIG. 2 is a front elevation view thereof;  
FIG. 3 is a rear elevation view thereof;  
FIG. 4 is a left side elevation view thereof;  
FIG. 5 is a top plan view thereof;  
FIG. 6 is a bottom plan view thereof; and,  
FIG. 7 is an environmental bottom perspective view thereof where the lower cup is removed beneath.

**1 Claim, 7 Drawing Sheets**



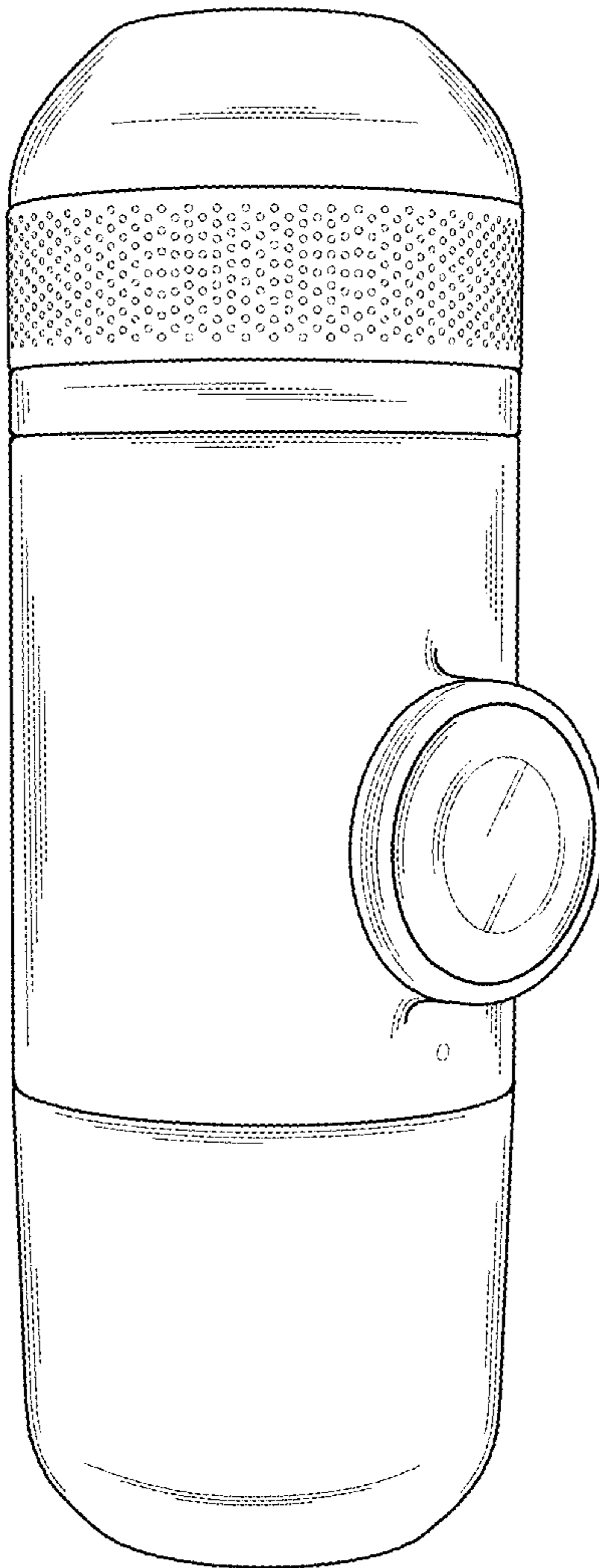


FIG.1

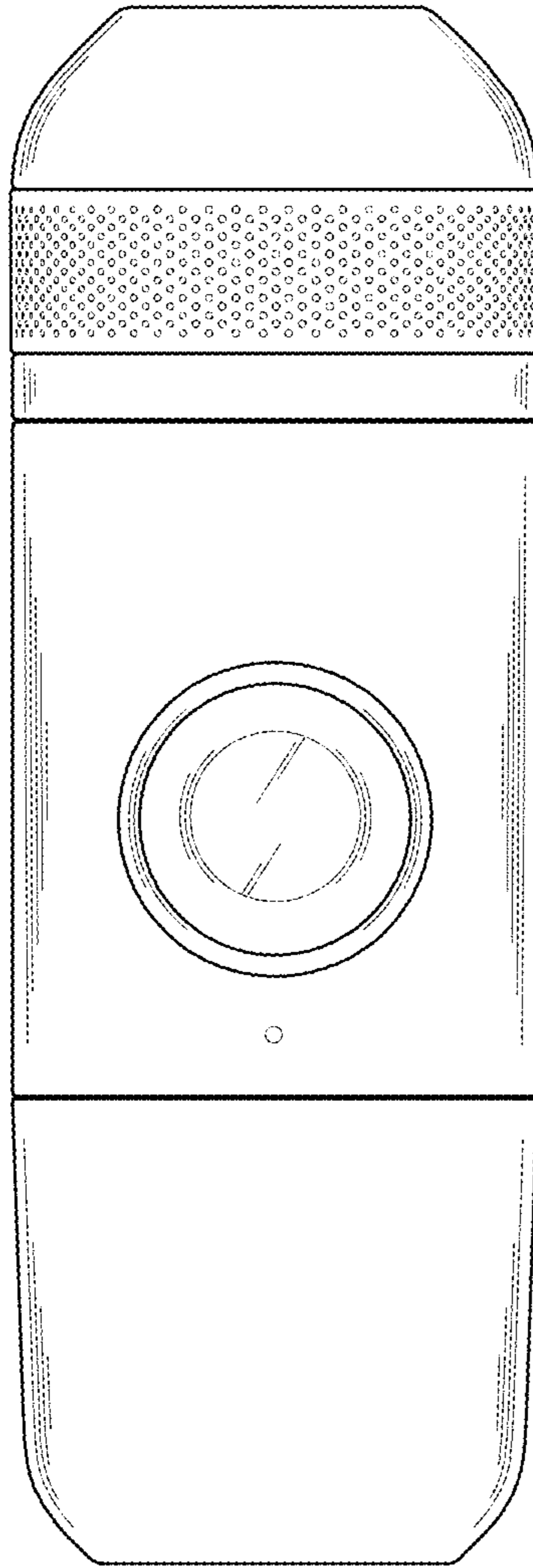


FIG.2

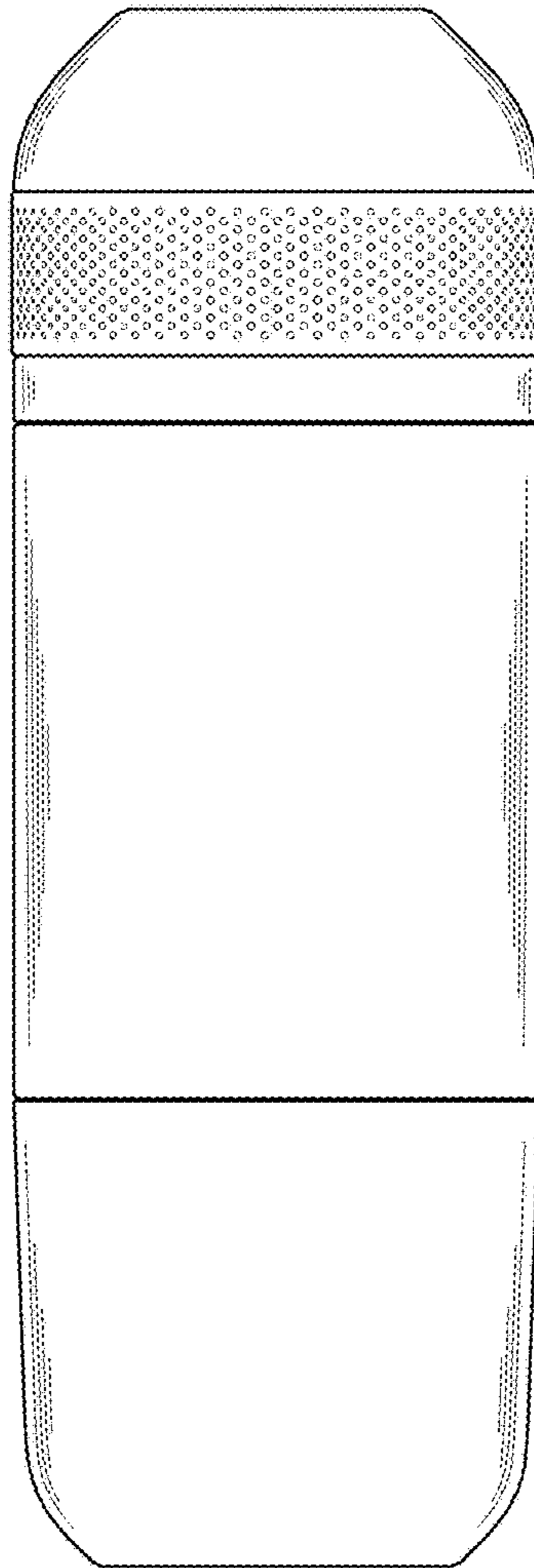


FIG.3

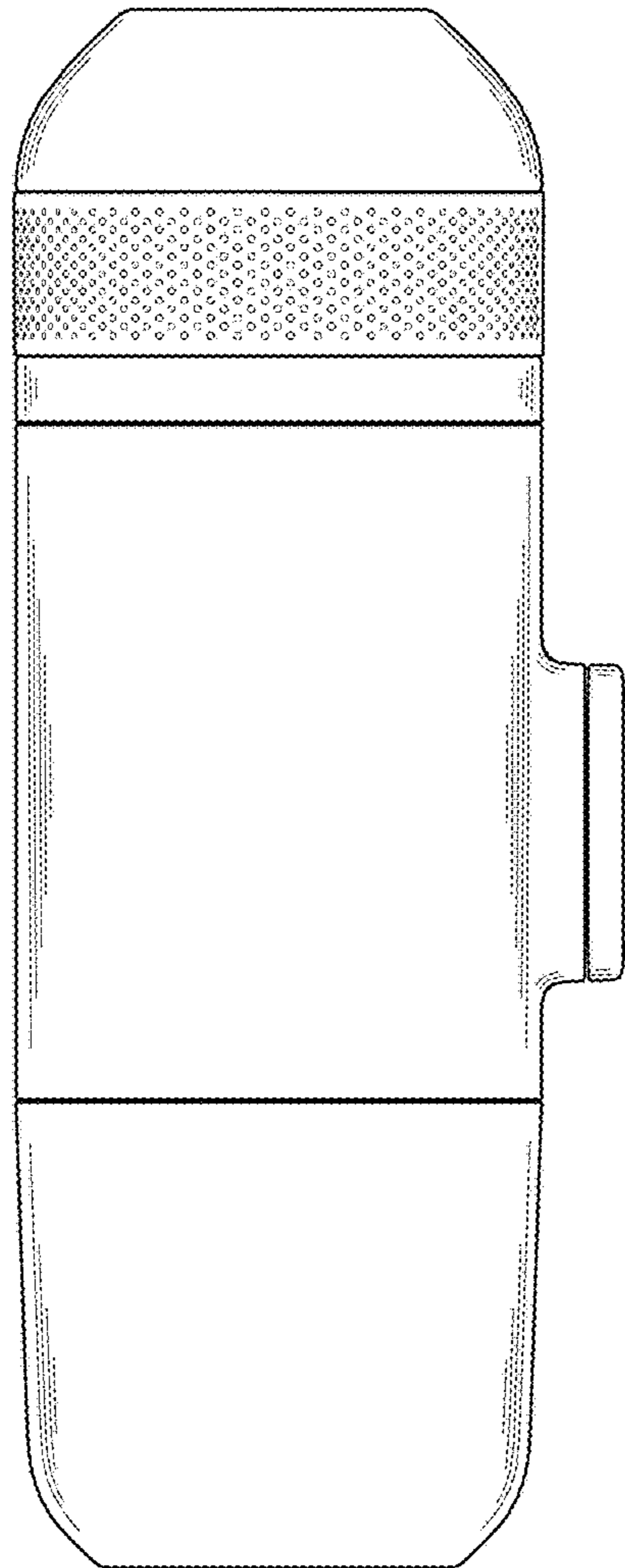


FIG.4

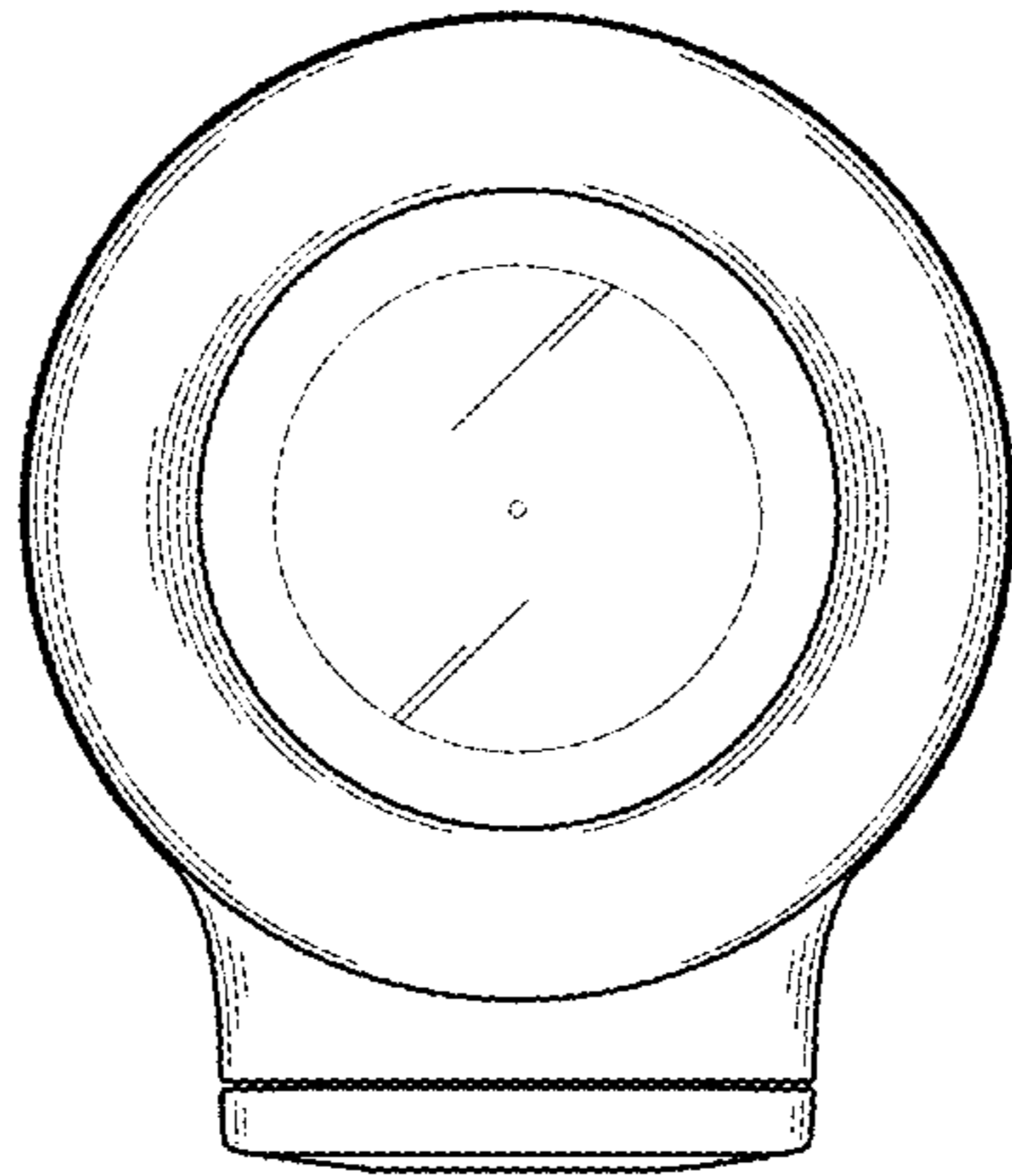


FIG.5

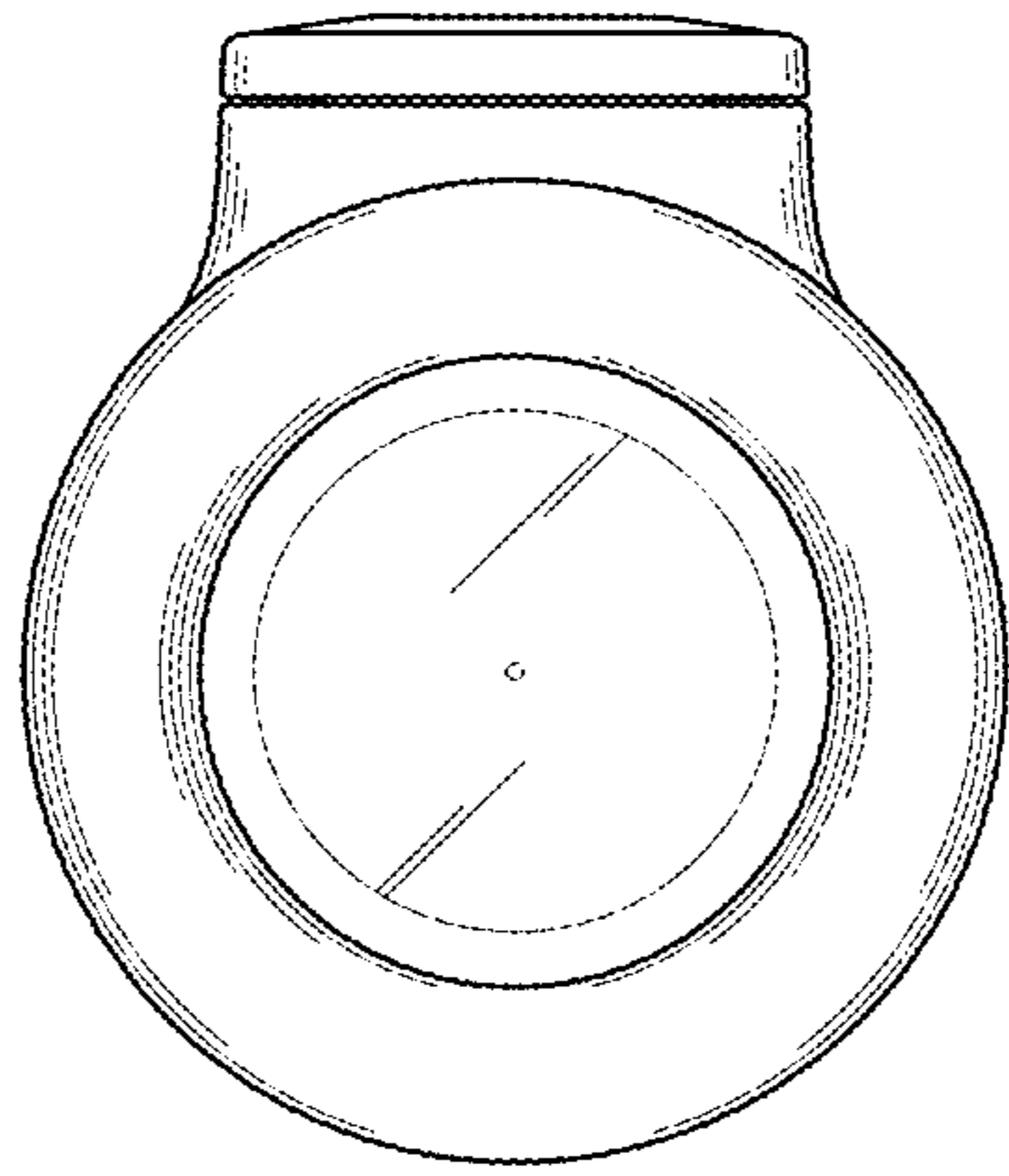


FIG.6

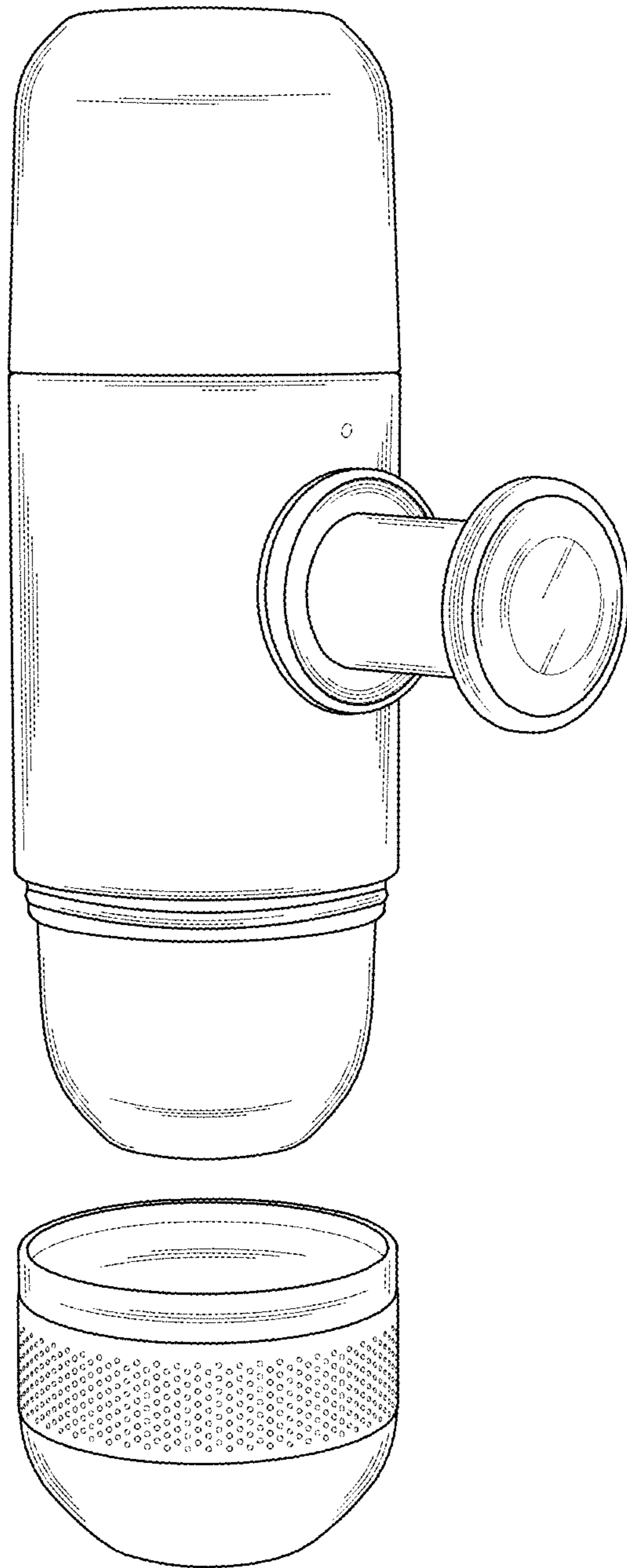


FIG.7