



US00D823033S

(12) **United States Design Patent**
Cailleton

(10) **Patent No.:** **US D823,033 S**
(45) **Date of Patent:** **** Jul. 17, 2018**

(54) **PORTABLE MANUALLY-OPERATED
COFFEE MAKER**

(71) Applicant: **Wacaco Company Limited**, Hong
Kong (HK)

(72) Inventor: **Hugo Yves Lucien Cailleton**, Zhong
Shan (CN)

(73) Assignee: **WACACO COMPANY LIMITED**,
Hong Kong (HK)

(**) Term: **15 Years**

(21) Appl. No.: **29/606,618**

(22) Filed: **Jun. 6, 2017**

(30) **Foreign Application Priority Data**

Jan. 16, 2017 (CN) 2017 3 0015026

(51) **LOC (11) Cl.** **07-01**

(52) **U.S. Cl.**
USPC **D7/300; D7/507; D7/399**

(58) **Field of Classification Search**
USPC D7/507, 397, 399, 400, 306, 300, 313;
99/295
CPC .. A47J 31/44; A47J 31/02; A47J 31/16; A47J
31/005
See application file for complete search history.

(56) **References Cited**

U.S. PATENT DOCUMENTS

D650,625 S * 12/2011 Fiori D7/306
D723,867 S * 3/2015 Andreesen D7/397

D759,416 S * 6/2016 Kim D7/306
D766,643 S * 9/2016 Brensinger A47K 3/288
D7/300
D769,046 S * 10/2016 Beckman B65D 25/28
D7/300
D796,241 S * 9/2017 Mangold D7/306
D799,894 S * 10/2017 Gaeta D7/397
2013/0011521 A1* 1/2013 Weijers A47J 31/36
426/87
2016/0000253 A1* 1/2016 Song A47J 31/38
99/295
2016/0227959 A1* 8/2016 Yoon A47J 31/06
2016/0262564 A1* 9/2016 Scott A47J 31/005

* cited by examiner

Primary Examiner — Marianne Pandozzi

(74) *Attorney, Agent, or Firm* — Ming Chow; Sinorica,
LLC

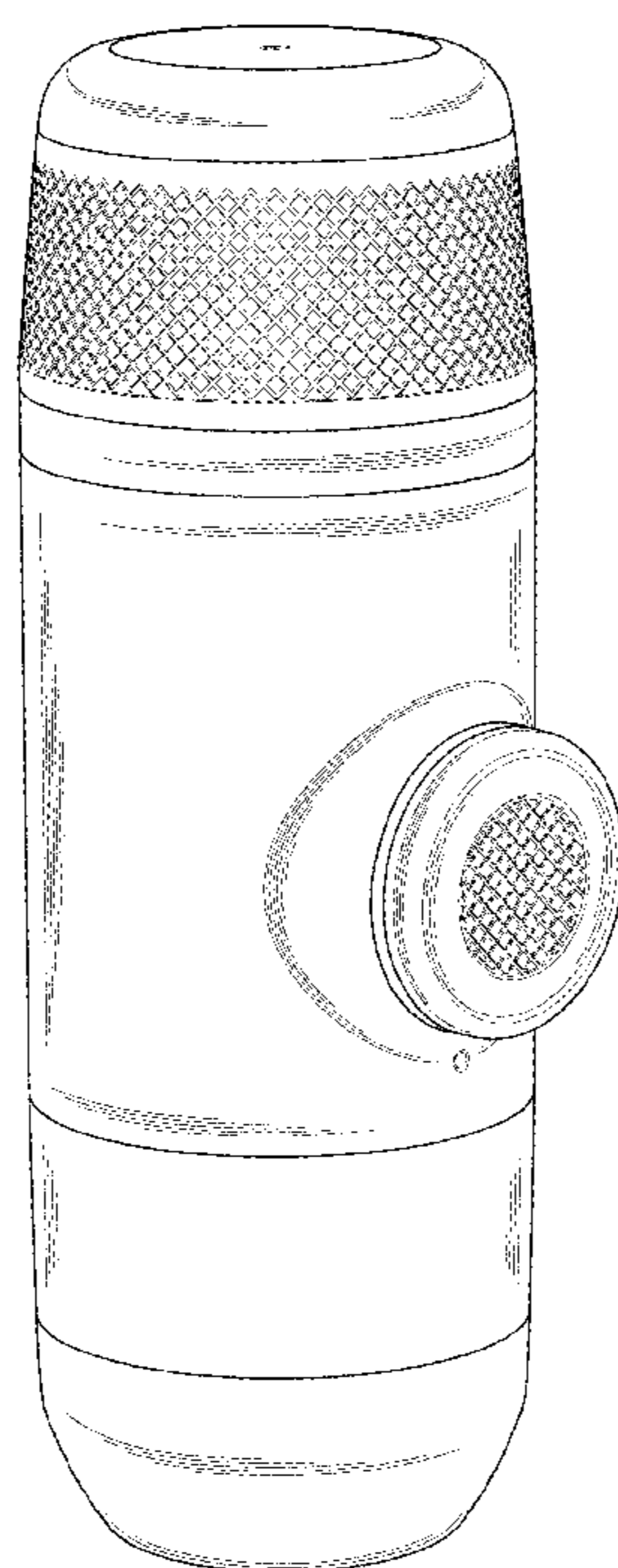
(57) **CLAIM**

The ornamental design for a portable manually-operated
coffee maker, as shown and described.

DESCRIPTION

FIG. 1 is a top perspective view of a portable manually-
operated coffee maker showing my new design;
FIG. 2 is a front elevation view thereof;
FIG. 3 is a rear elevation view thereof;
FIG. 4 is a left side elevation view thereof;
FIG. 5 is a top plan view thereof;
FIG. 6 is a bottom plan view thereof; and,
FIG. 7 is an environmental bottom perspective view thereof
where the lower cup is removed beneath.

1 Claim, 7 Drawing Sheets



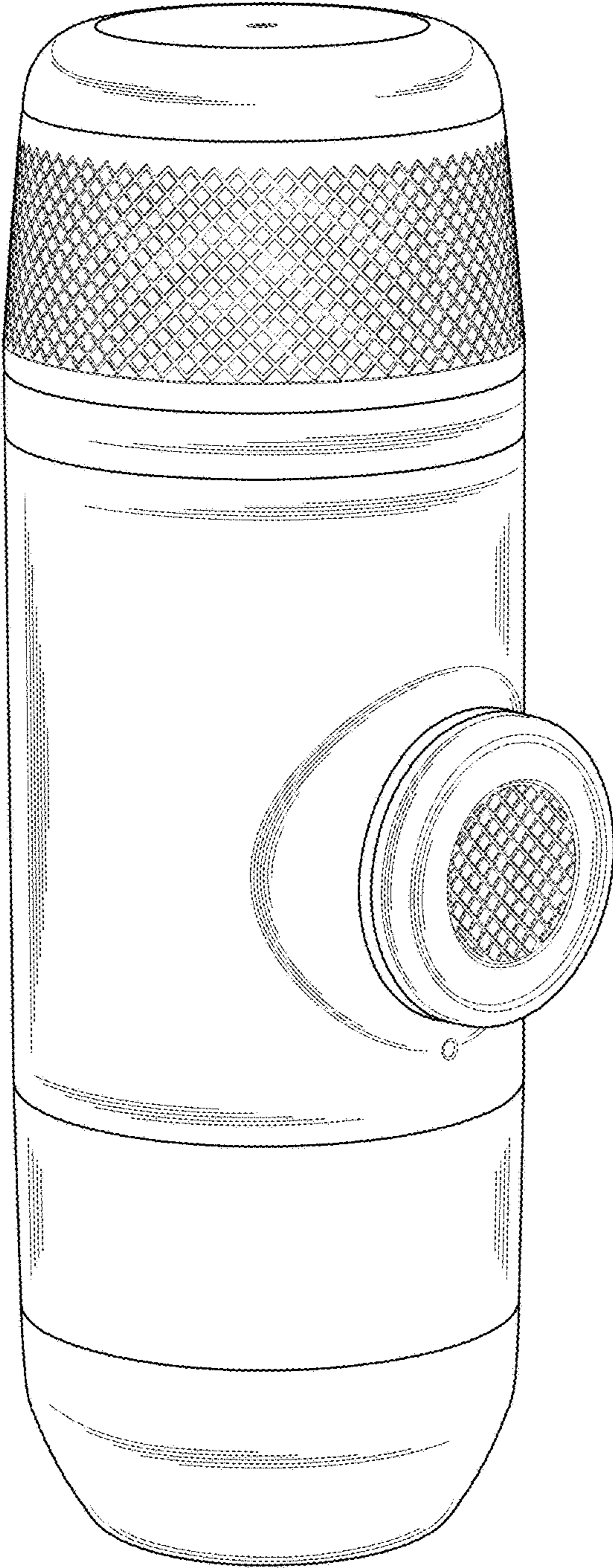


FIG.1

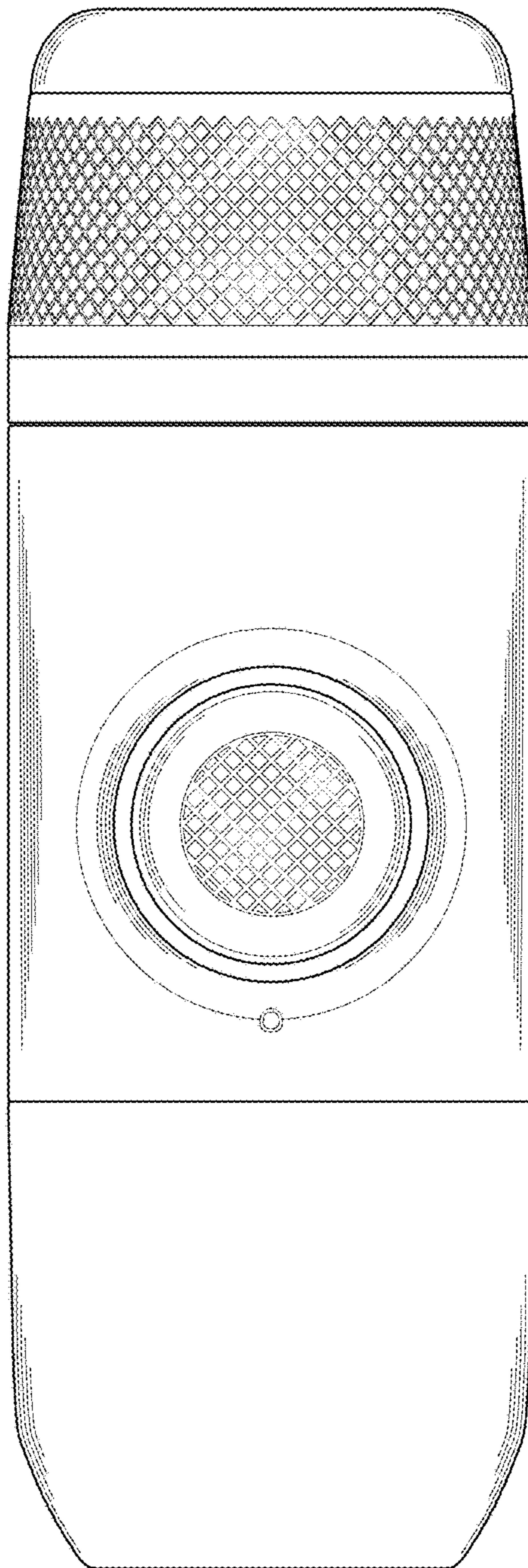


FIG.2

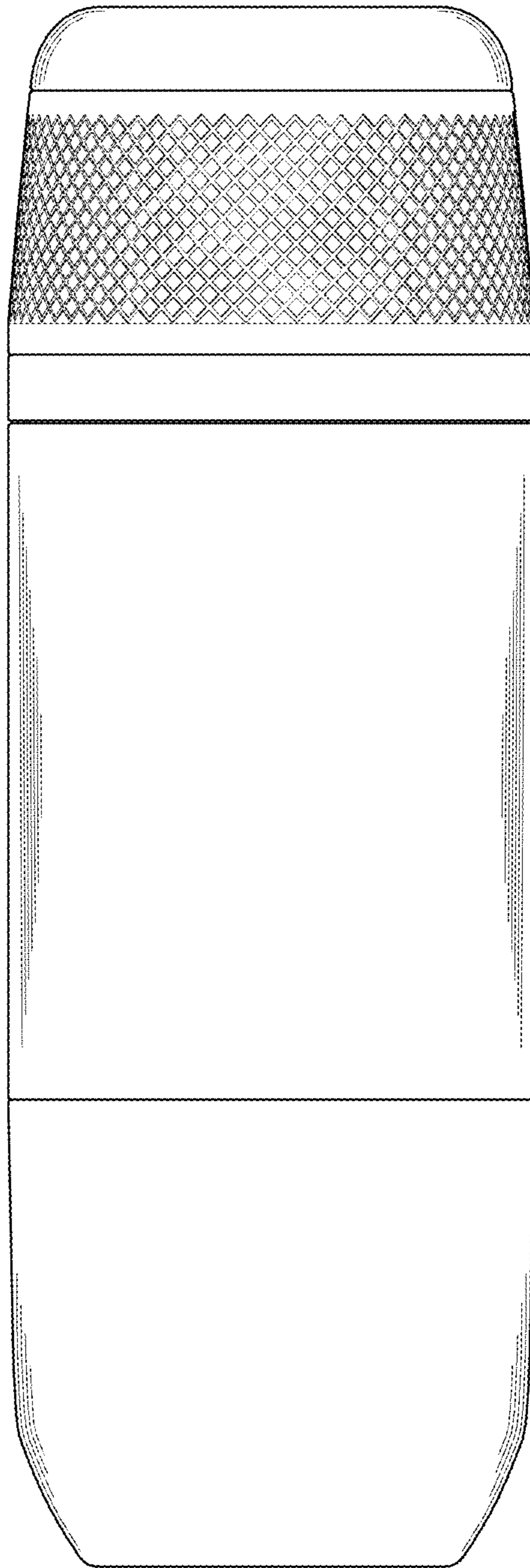


FIG.3

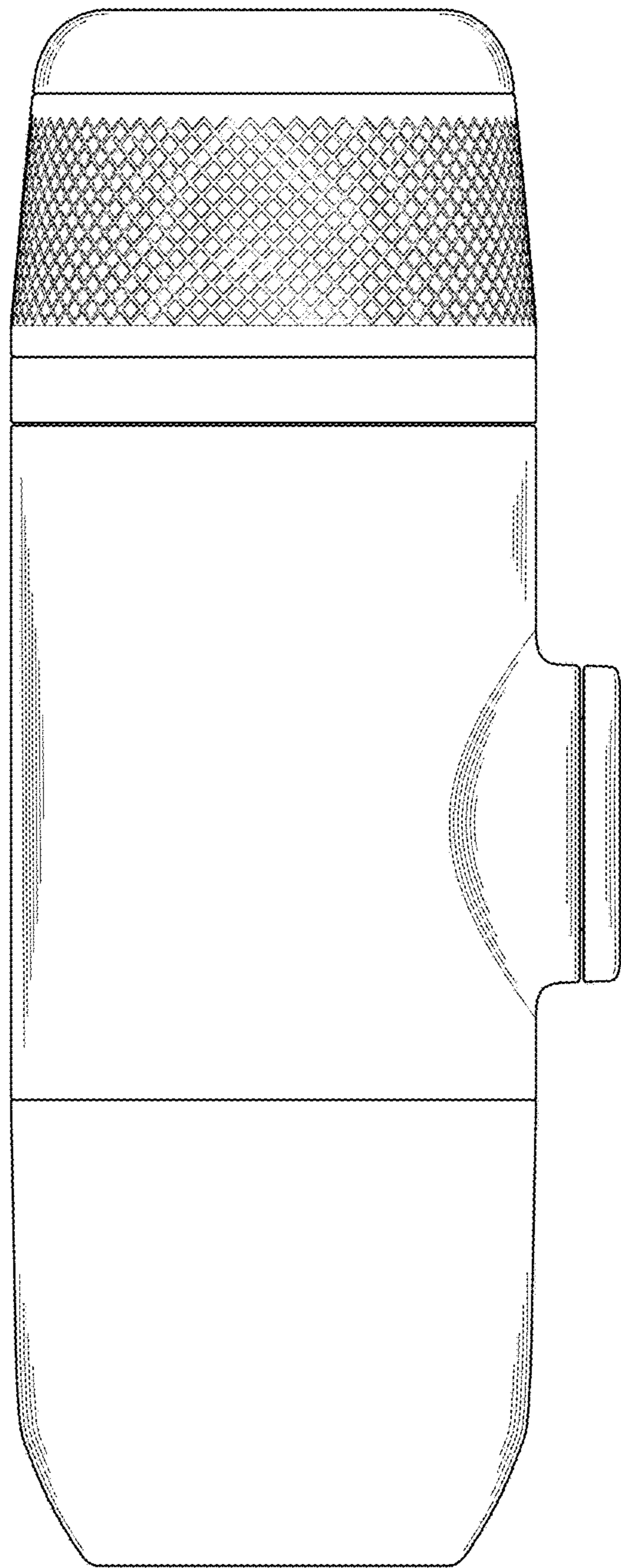


FIG.4

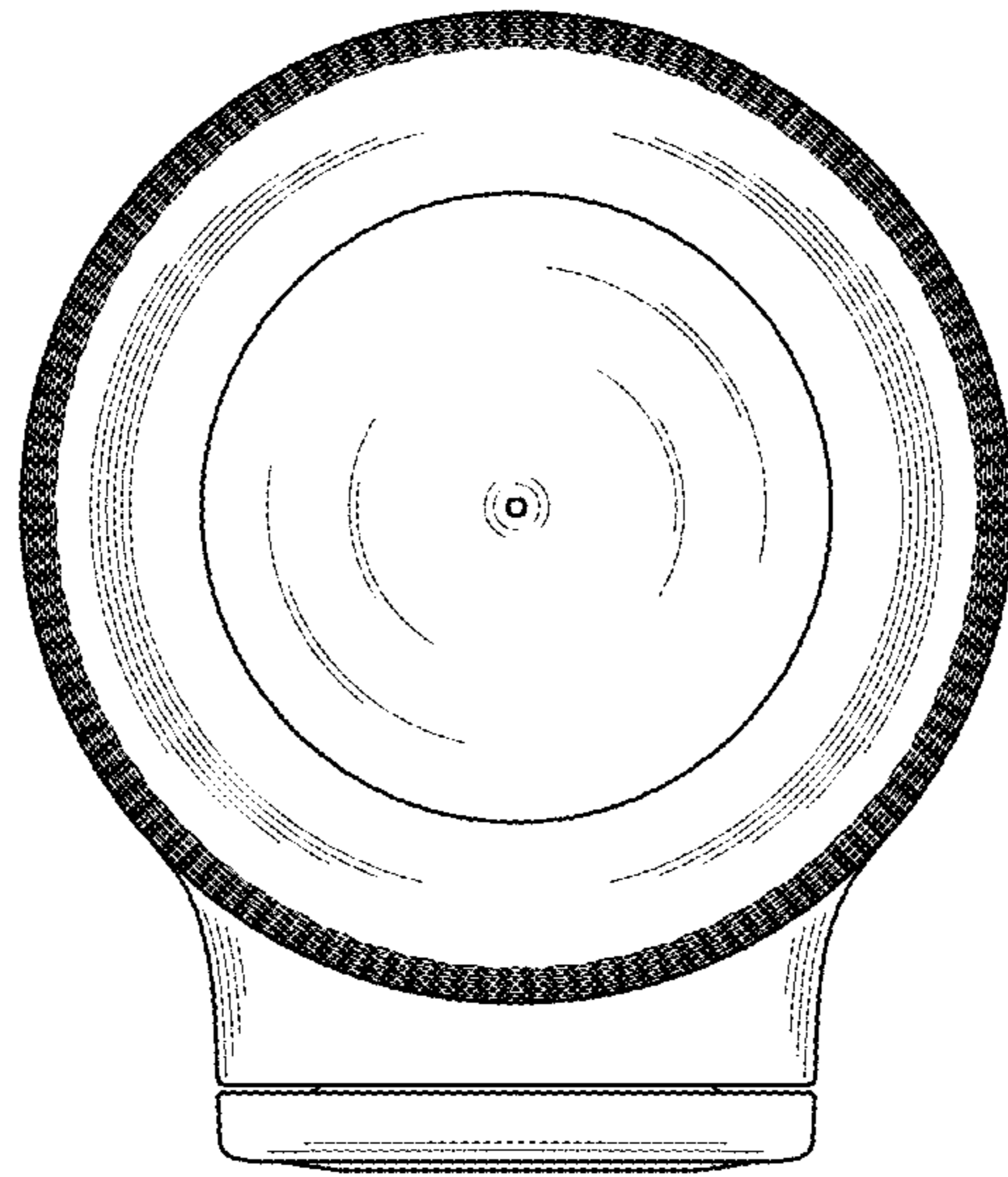


FIG.5

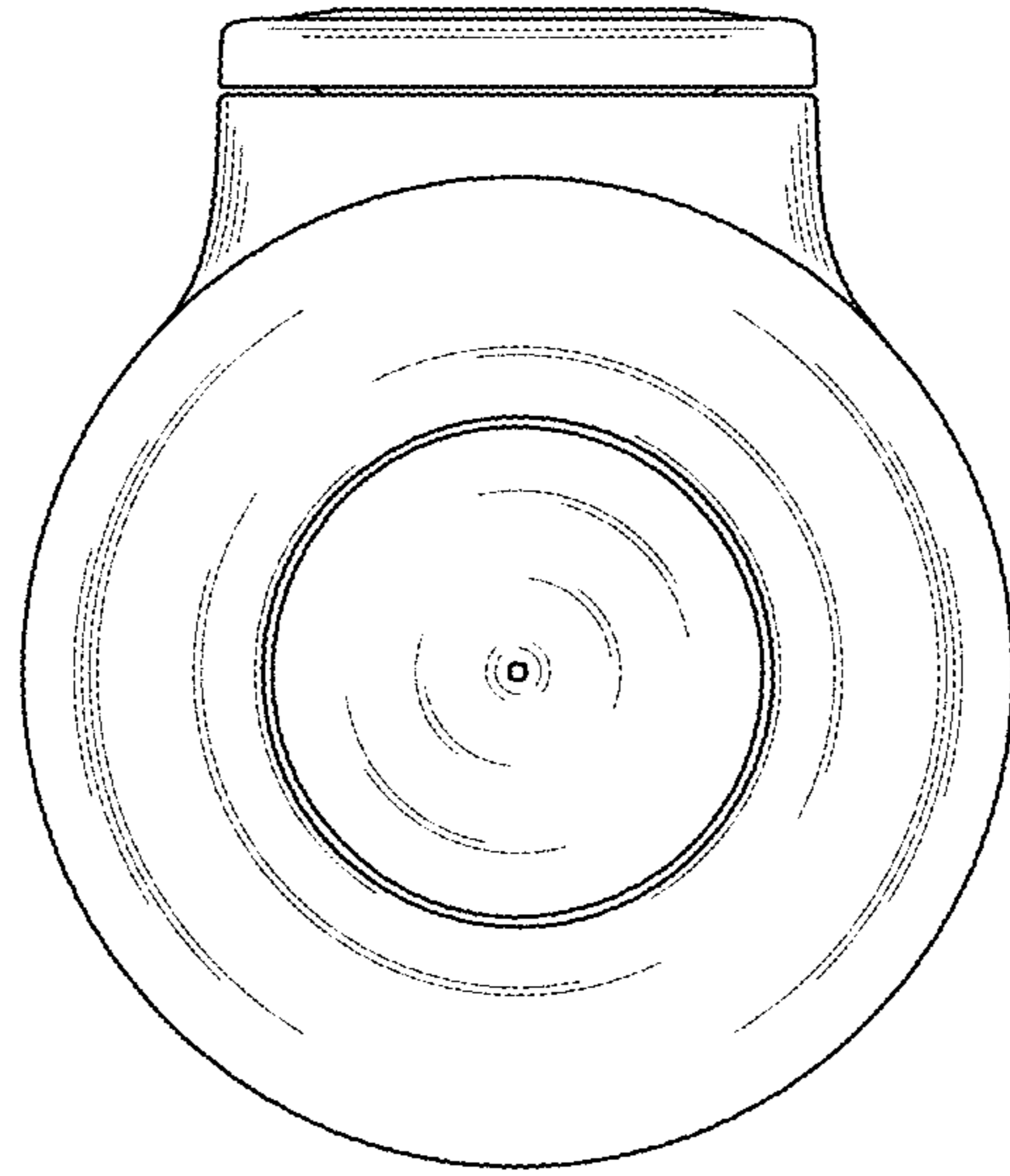


FIG.6

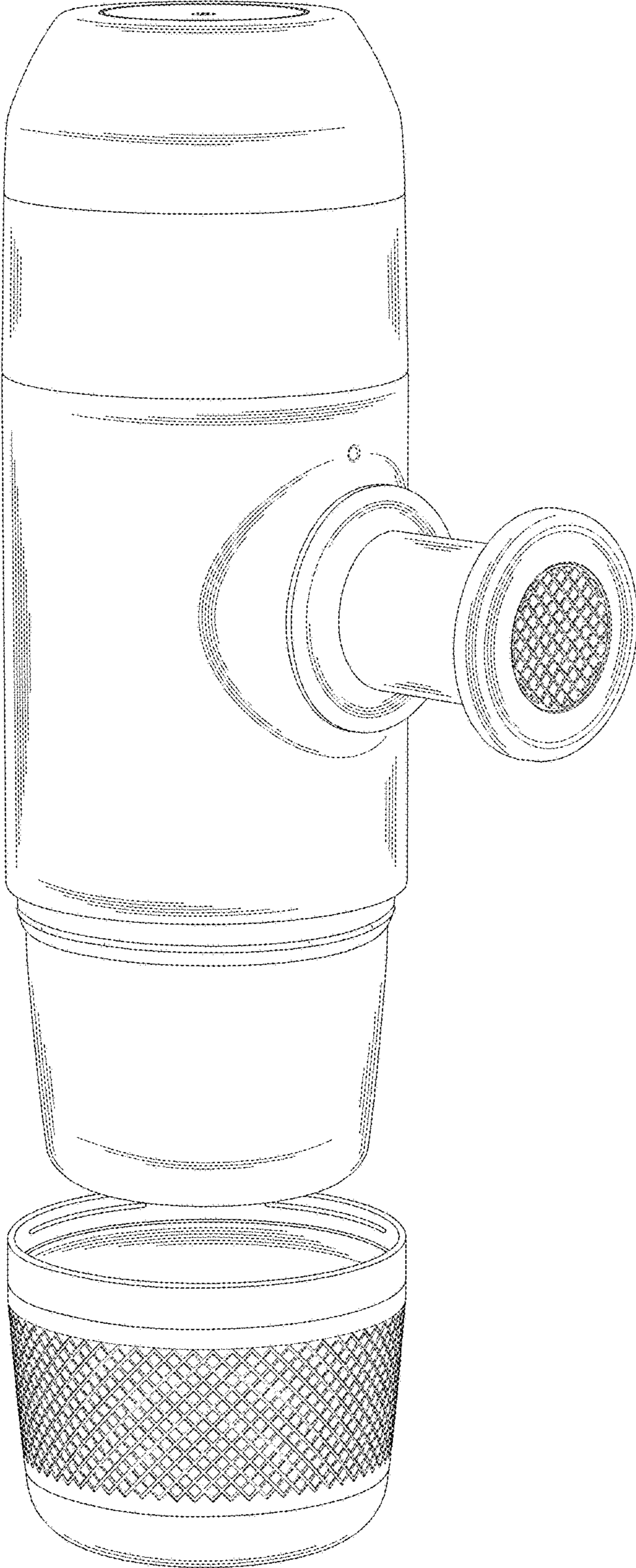


FIG.7