



US00D823030S

(12) **United States Design Patent**
Theisen et al.

(10) **Patent No.:** **US D823,030 S**

(45) **Date of Patent:** **** Jul. 17, 2018**

(54) **DISPLAY UNIT**

(71) Applicant: **Target Brands, Inc.**, Minneapolis, MN (US)

(72) Inventors: **Jennifer A. Theisen**, Crystal, MN (US);
William Y. Stafford, Minnetrista, MN (US); **Benjamin Weshler**, New York, NY (US)

(73) Assignee: **Target Brands, Inc.**, Minneapolis, MN (US)

(**) Term: **15 Years**

(21) Appl. No.: **29/613,618**

(22) Filed: **Aug. 11, 2017**

(51) **LOC (11) Cl.** **06-06**

(52) **U.S. Cl.**

USPC **D6/675**

(58) **Field of Classification Search**

USPC D6/657, 663, 672, 675-675.3, 678, 680.2

CPC A47F 3/007; A47F 5/0043; A47F 5/0081;
A47B 57/00; A47B 57/04

See application file for complete search history.

(56) **References Cited**

U.S. PATENT DOCUMENTS

D400,027 S * 10/1998 Gongora D6/673
D477,929 S * 8/2003 Draper D6/336
D637,421 S * 5/2011 Theisen D6/675.1

D637,422 S * 5/2011 Theisen D6/675.1
D655,946 S * 3/2012 Sexton D6/661
D663,136 S * 7/2012 Thompson D6/671
D686,011 S * 7/2013 Credle D6/699
D729,560 S * 5/2015 Hamm D6/702
D732,855 S * 6/2015 Heiser D6/660
D790,884 S * 7/2017 Schonherr D6/664
D792,132 S * 7/2017 Peota D6/675
D806,448 S * 1/2018 Burton D6/657

* cited by examiner

Primary Examiner — Kelley Donnelly

(74) *Attorney, Agent, or Firm* — Leanne Taveggia Farrell; Westman, Champlin & Koehler, P.A.

(57) **CLAIM**

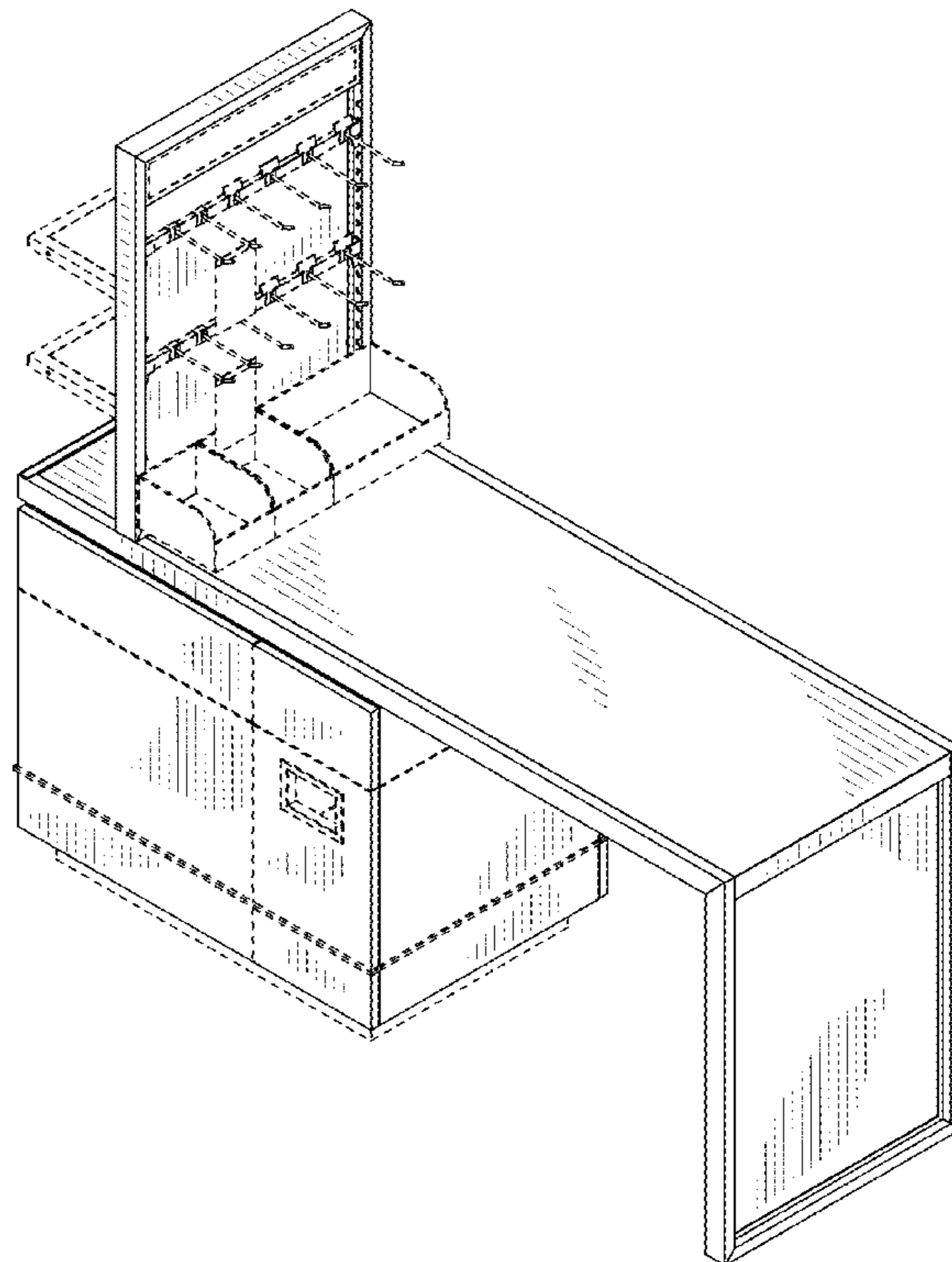
The ornamental design for a display unit, as shown and described.

DESCRIPTION

FIG. 1 is a front perspective view of a display unit showing our new design;
FIG. 2 is a back perspective view thereof;
FIG. 3 is a back view thereof;
FIG. 4 is a front view thereof;
FIG. 5 is a left side view thereof;
FIG. 6 is a right side view thereof; and,
FIG. 7 is a top view thereof.

The broken lines shown in the drawings are included for purposes of illustrating portions of the display unit and form no part of the claimed design.

1 Claim, 6 Drawing Sheets



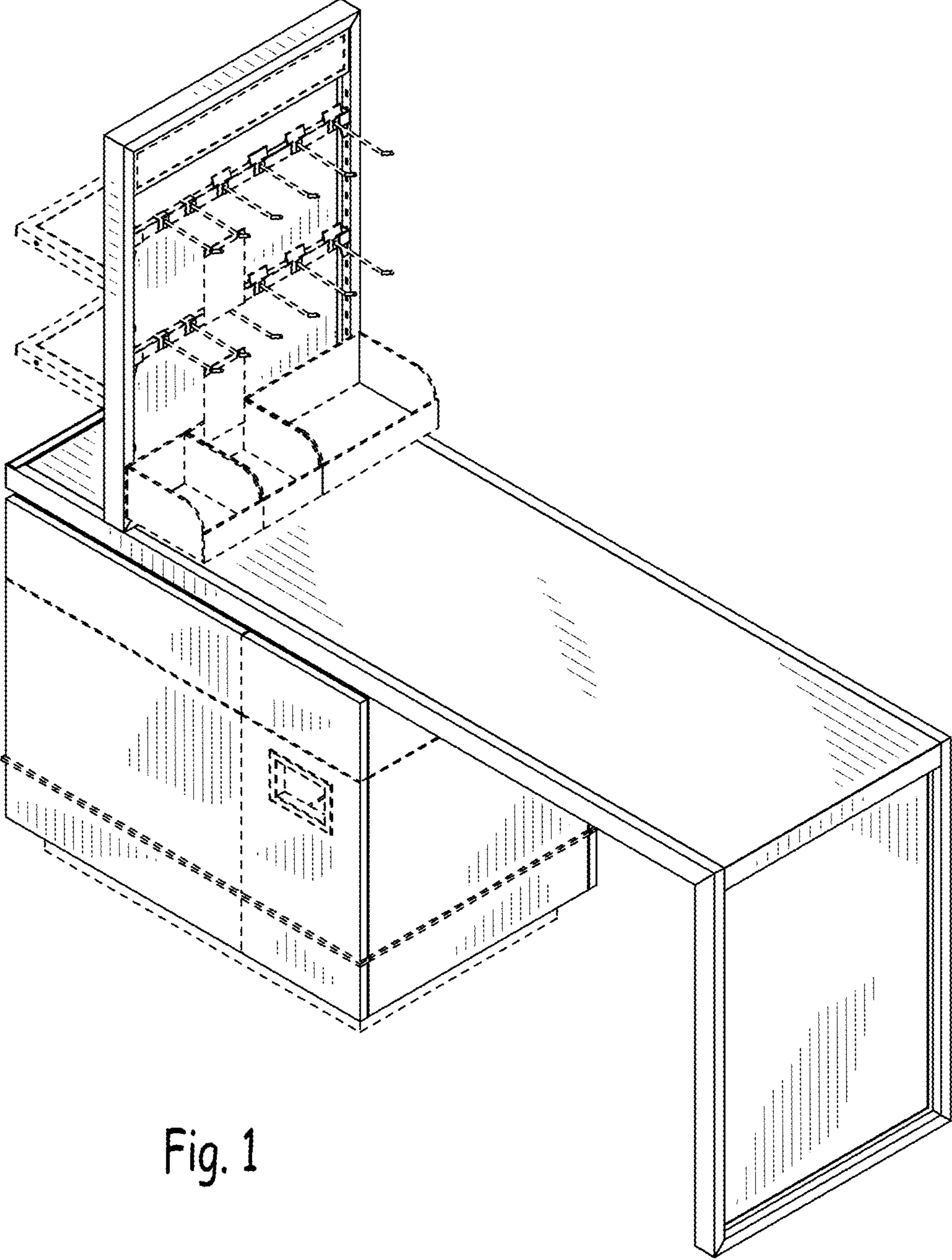


Fig. 1

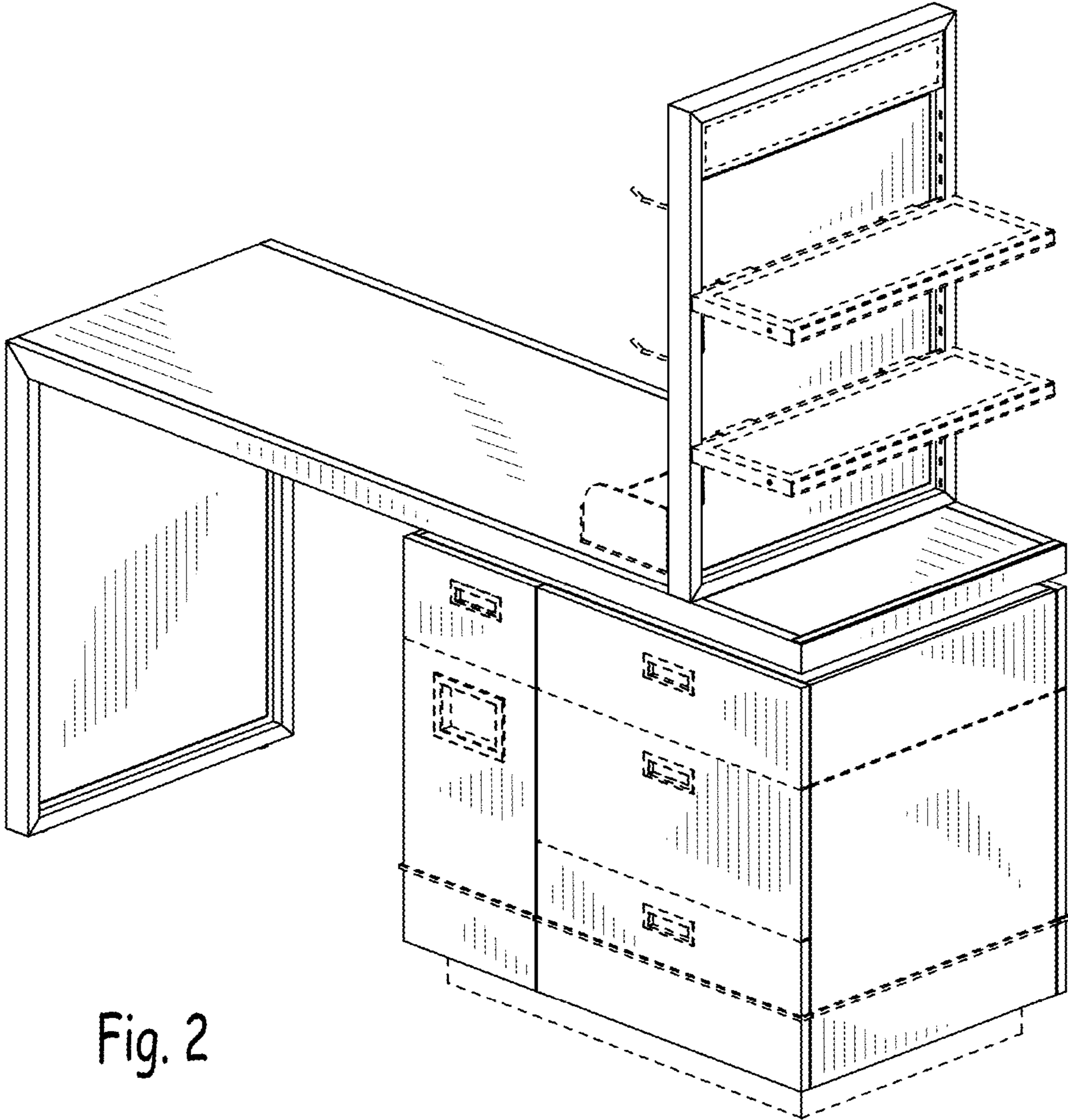


Fig. 2

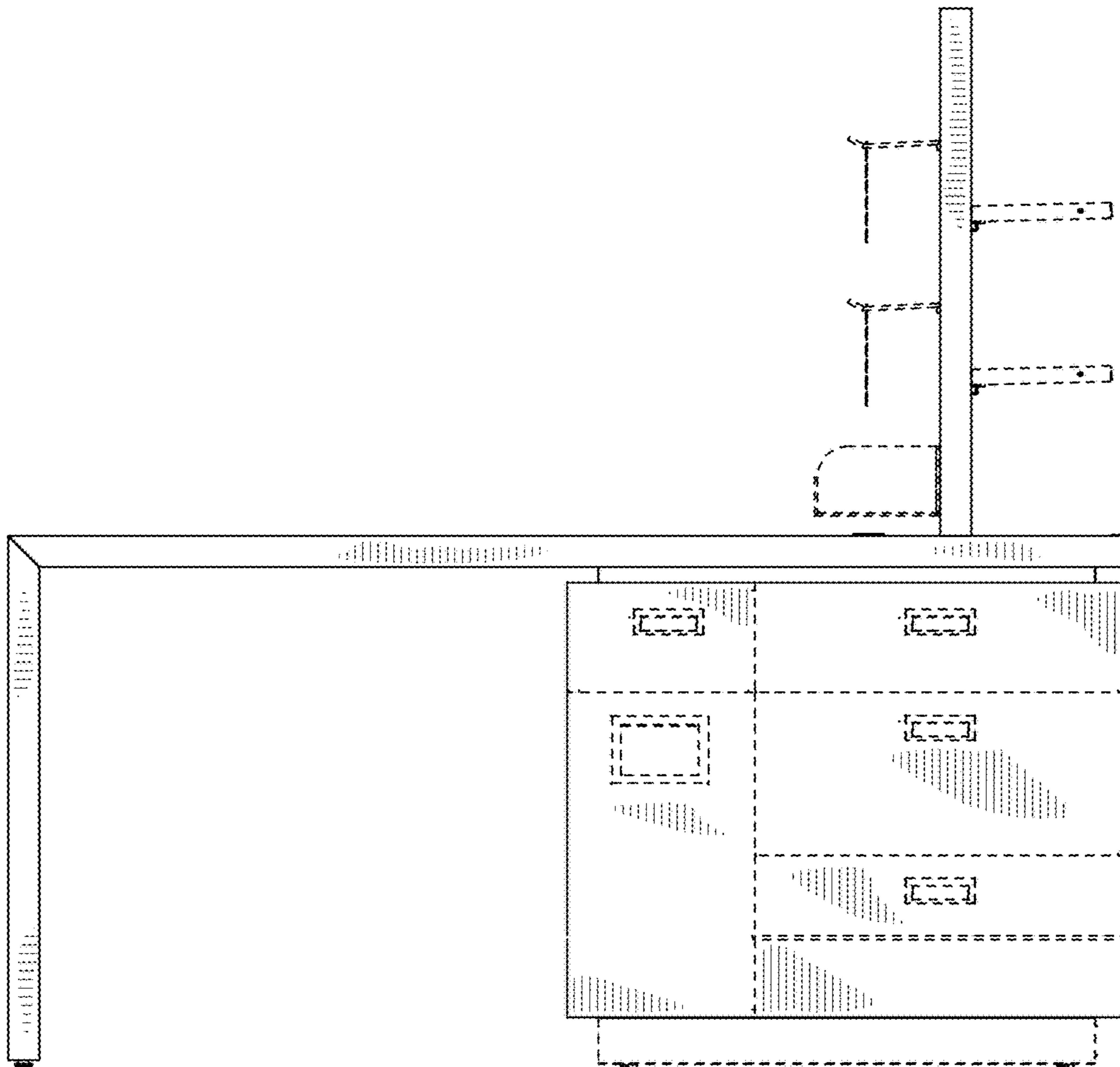


Fig. 3

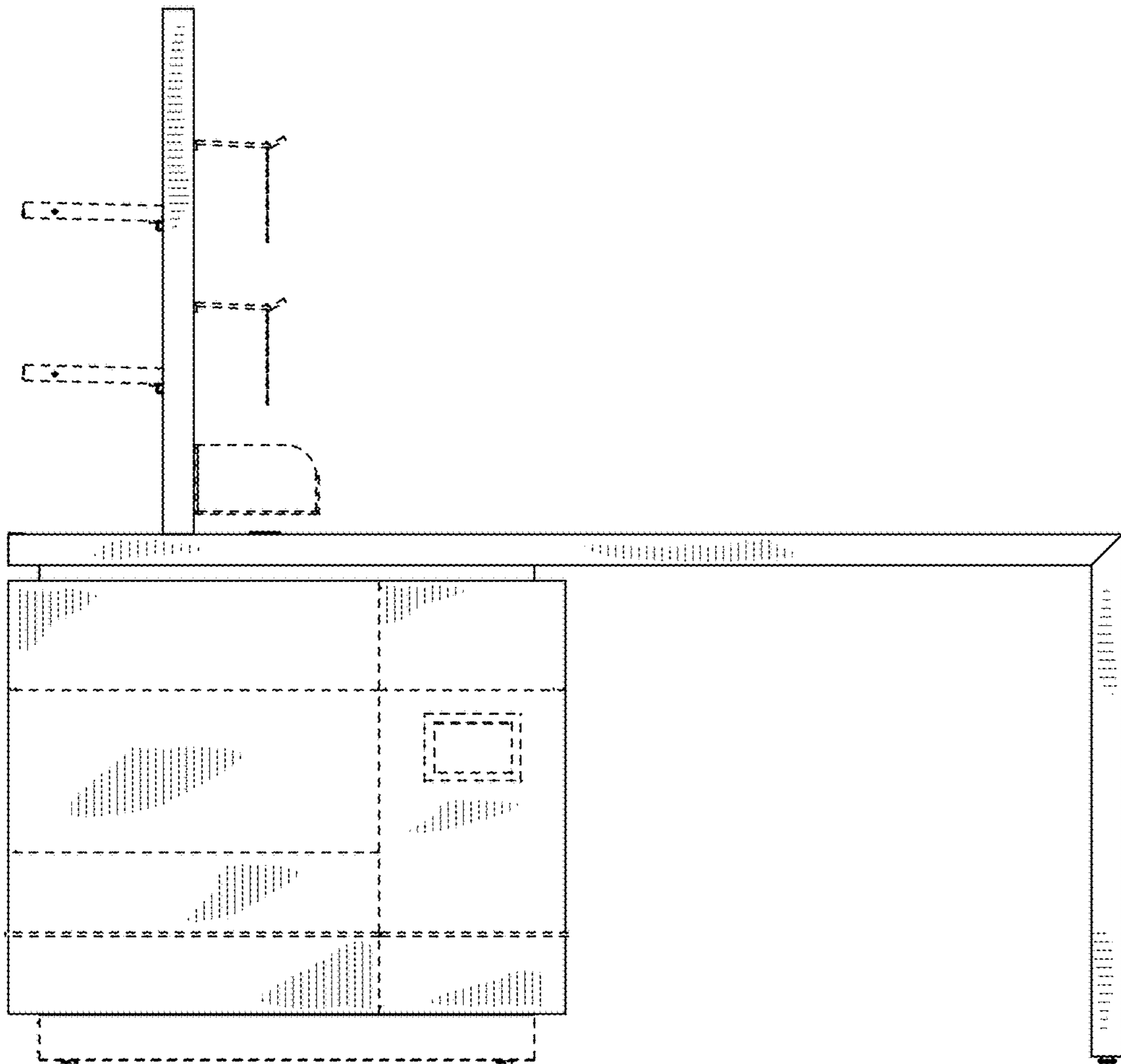


Fig. 4

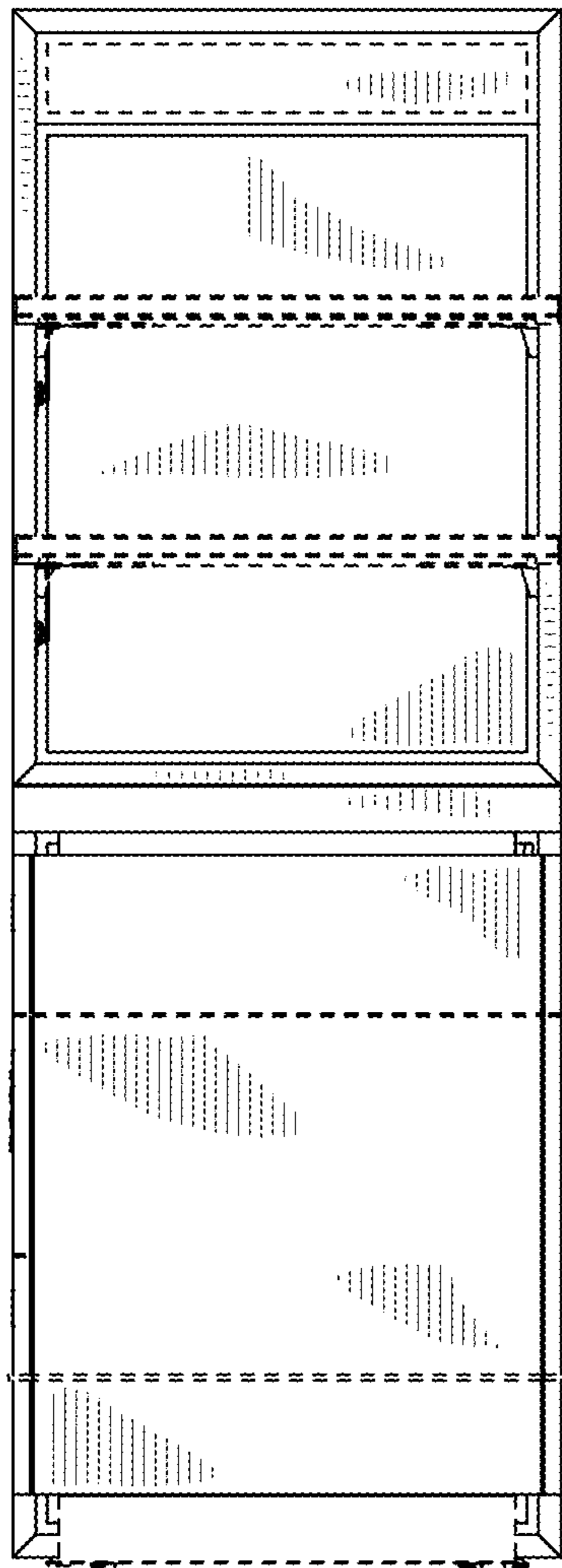


Fig. 5

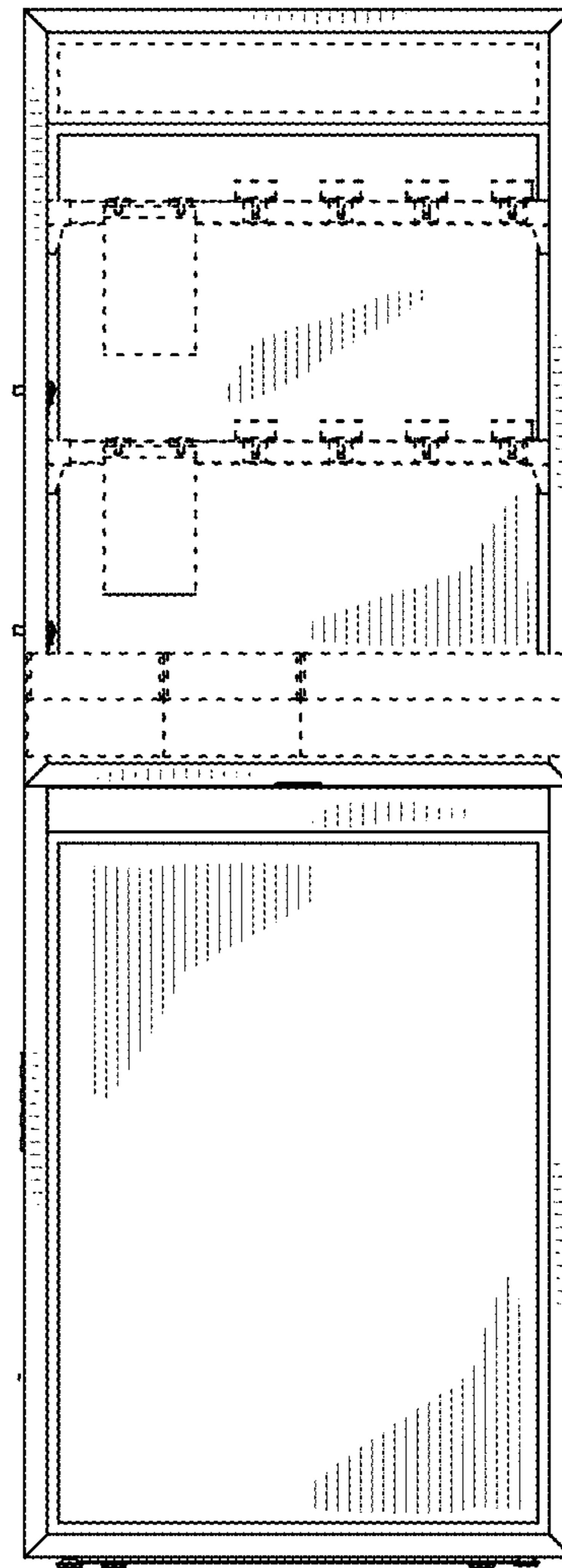


Fig. 6

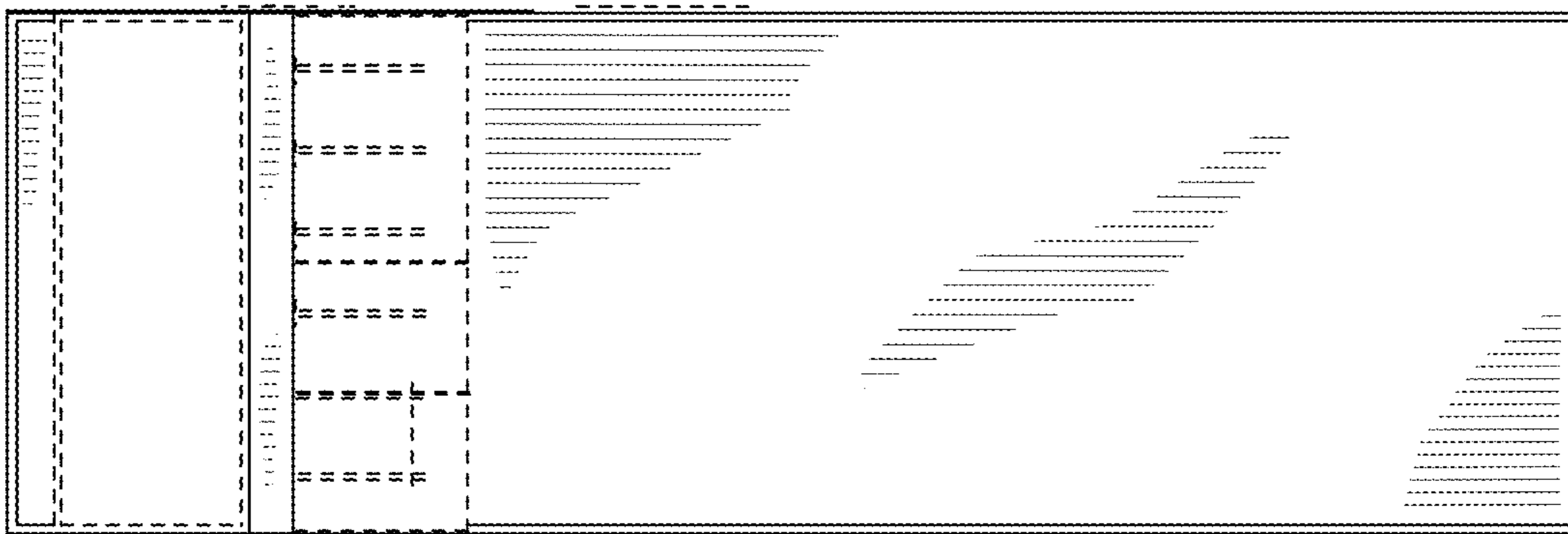


Fig. 7