



US00D823026S

(12) **United States Design Patent**
Shi

(10) **Patent No.:** **US D823,026 S**
(45) **Date of Patent:** **** Jul. 17, 2018**

- (54) **TRAVEL PILLOW**
- (71) Applicant: **Jiangfeng Shi**, Zhejiang (CN)
- (72) Inventor: **Jiangfeng Shi**, Zhejiang (CN)
- (**) Term: **15 Years**
- (21) Appl. No.: **29/602,561**
- (22) Filed: **May 2, 2017**
- (51) **LOC (11) Cl.** **06-09**
- (52) **U.S. Cl.**
USPC **D6/601**
- (58) **Field of Classification Search**
USPC D6/333, 349, 355, 375, 388, 512, 563,
D6/564, 595, 596, 601, 604, 611, 707,
D6/715, 716, 716.1; D24/183-185, 234;
D21/803, 804, 805, 809; 5/401, 420,
5/600, 630, 631, 632, 633, 635, 636, 638,
5/639, 646, 652, 652.1, 655, 703, 730;
297/1, 2, 4, 93, 180.11, 195.1, 195.11,
297/195.13, 393, 397, 452.12, 452.14,
297/452.15, 452.21, 452.24, 452.26,
297/452.48, 452.62, 482
CPC A47G 9/10; A47G 9/1009; A47G 9/1027;
A47G 9/1045; A47G 9/1063; A47G
9/1072; A47G 9/1081
See application file for complete search history.

- D414,974 S * 10/1999 Marrone, II 5/638
- 5,964,506 A * 10/1999 Coates A47D 15/006
128/869
- 6,123,389 A * 9/2000 O'Connor A47C 7/383
297/397
- D444,980 S * 7/2001 Mowat 5/636
- 6,305,749 B1 * 10/2001 O'Connor A47C 7/383
297/397
- D455,311 S * 4/2002 Fux D6/601
- D465,360 S * 11/2002 Ratza D6/716
- D465,686 S * 11/2002 Hwong D6/601
- D466,750 S * 12/2002 Landvik D6/601
- 6,634,045 B1 * 10/2003 DuDonis A47C 20/021
5/632

(Continued)

OTHER PUBLICATIONS

Memory foam travel neck pillow, announced unknown, [online], [site visited Mar. 31, 2018]. Available from Internet, <URL: <https://m.alibaba.com/product/60728353350/2018-new-design-wholesale-price-memory.html?s=p&spm=a2706.7843667/b.1998817009.12.u6PoJR>>.*

Primary Examiner — Michelle E Wilson
Assistant Examiner — Sanjeev Paul

(57) **CLAIM**

I claim the ornamental design for a travel pillow, as shown and described.

DESCRIPTION

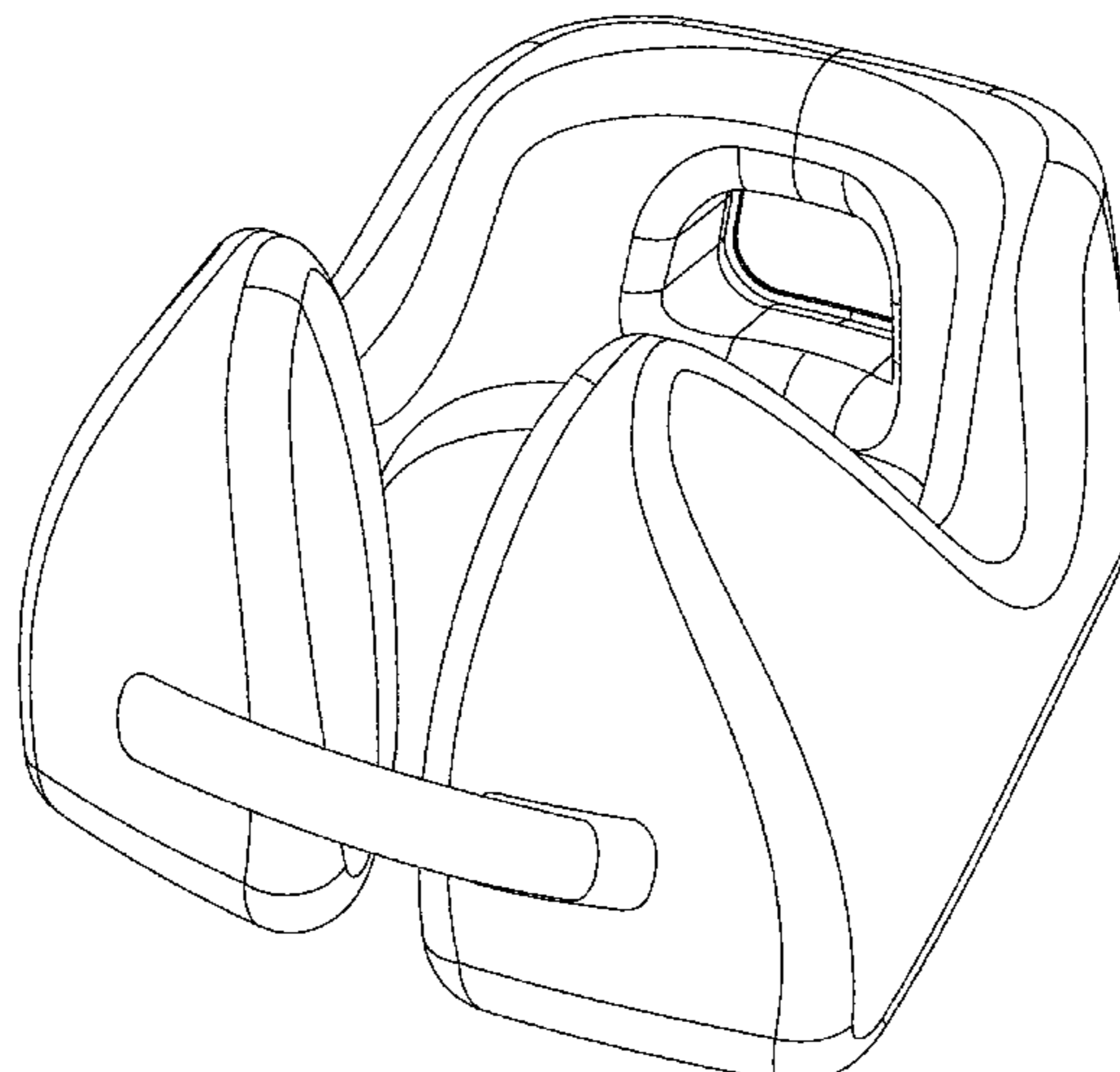
FIG. 1. Is a front elevational view of a travel pillow showing my new design.
FIG. 2 is a rear elevational view thereof;
FIG. 3 is a left side elevational view thereof;
FIG. 4 is a right side elevational view thereof;
FIG. 5 is a top plan view thereof;
FIG. 6 is a bottom plan view thereof;
FIG. 7 is a perspective view thereof; and,
FIG. 8 is another perspective view thereof.

1 Claim, 8 Drawing Sheets

(56) **References Cited**

U.S. PATENT DOCUMENTS

- D327,175 S * 6/1992 Mariol D6/333
- D327,389 S * 6/1992 Flores D6/601
- D334,159 S * 3/1993 Mulligan 5/653
- D353,173 S * 12/1994 Almeda D21/687
- D354,876 S * 1/1995 Pace D6/596
- 5,682,632 A * 11/1997 Cotroneo A47G 9/10
5/636
- D388,650 S * 1/1998 Davis 5/636
- D390,298 S * 2/1998 Ince 5/633
- D404,238 S * 1/1999 Keilhauer D6/601
- D413,982 S * 9/1999 Swedberg D24/183



(56)

References Cited

U.S. PATENT DOCUMENTS

6,648,416 B2 * 11/2003 O'Connor A47C 7/383
 297/397
 D501,096 S * 1/2005 Desnos D6/333
 6,842,924 B1 * 1/2005 Walters A47C 20/026
 5/636
 D503,062 S * 3/2005 Nash D6/601
 6,981,288 B1 * 1/2006 Hu A47G 9/10
 5/636
 D582,713 S * 12/2008 Baldwin D6/601
 7,958,582 B1 * 6/2011 Scamardo A47C 7/383
 5/632
 D664,799 S * 8/2012 Schwingendorf D6/601
 D673,410 S * 1/2013 O'Connell D6/601
 D733,897 S * 7/2015 Rossouw D24/184
 D734,546 S * 7/2015 Baker D28/57
 D734,959 S * 7/2015 Pong D6/601
 D746,080 S * 12/2015 Mittelstadt D6/601
 D762,400 S * 8/2016 Wong A47C 7/383
 D6/601
 D766,015 S * 9/2016 Walker A47C 7/383
 D6/601
 D769,029 S * 10/2016 Okwumabua D6/601
 D778,086 S * 2/2017 O'Meara D6/601

9,615,682 B1 * 4/2017 Maddocks B60N 2/80
 D790,880 S * 7/2017 Wong D6/601
 D790,881 S * 7/2017 Wong D6/601
 D791,508 S * 7/2017 Chen D6/601
 D794,535 S * 8/2017 Chen D12/215
 D800,480 S * 10/2017 Paperno A41B 13/06
 D6/596
 D808,194 S * 1/2018 Wyborn D6/601
 D808,195 S * 1/2018 Wyborn D6/601
 D811,775 S * 3/2018 Yaish D6/601
 2003/0182725 A1 * 10/2003 Baik A47G 9/1009
 5/640
 2009/0145442 A1 * 6/2009 Hecox A47G 9/1009
 128/845
 2012/0144590 A1 * 6/2012 Sharp A47C 7/383
 5/639
 2012/0180219 A1 * 7/2012 Riccabona A47C 20/021
 5/636
 2012/0186025 A1 * 7/2012 Kardos A47C 7/425
 5/655.9
 2013/0232693 A1 * 9/2013 Myers A47G 9/10
 5/636
 2017/0065108 A1 * 3/2017 Thorn A47C 7/383
 2017/0086607 A1 * 3/2017 Wong A47G 9/1072
 2017/0188710 A1 * 7/2017 Sternlight A47C 7/383

* cited by examiner

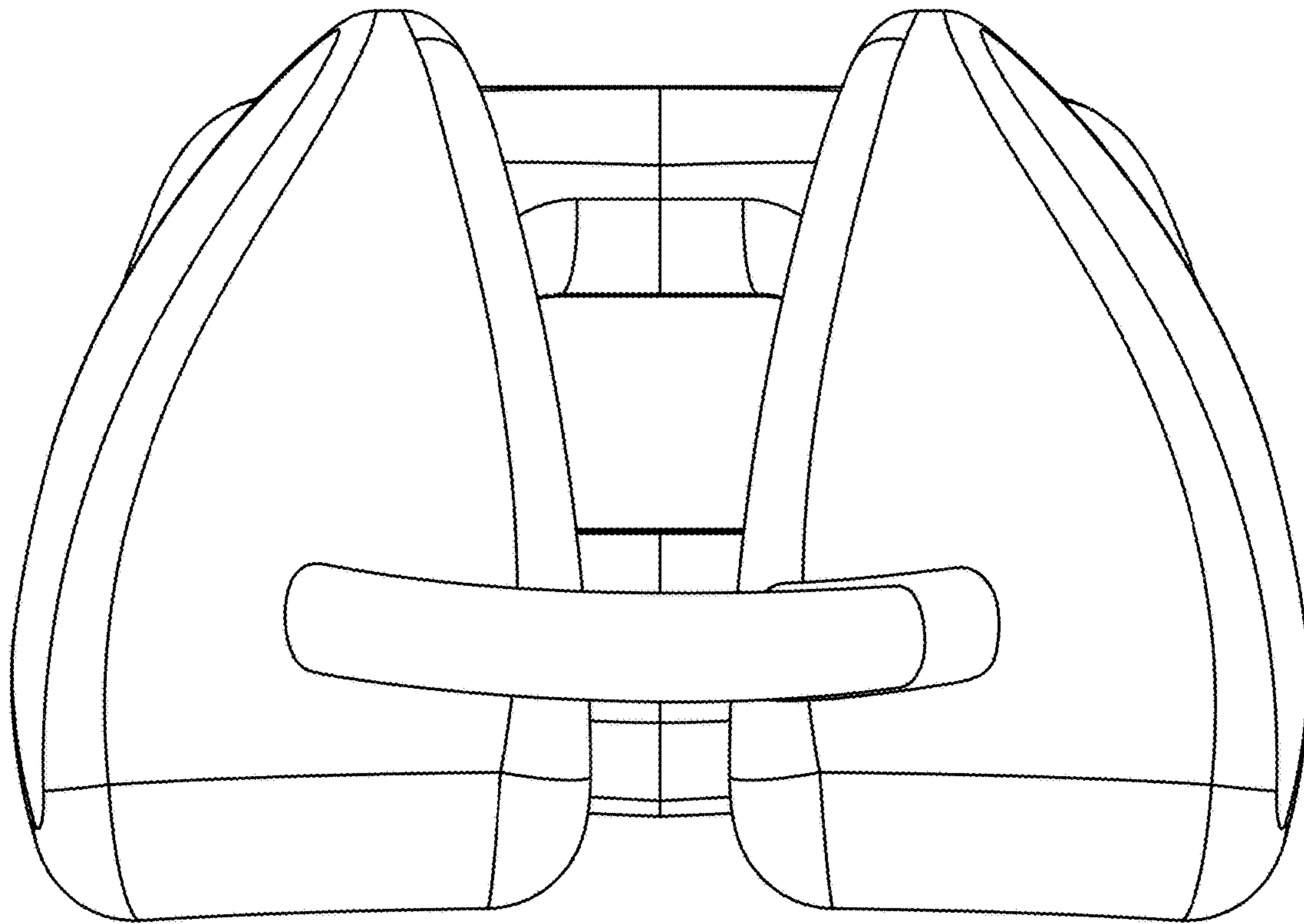


FIG.1

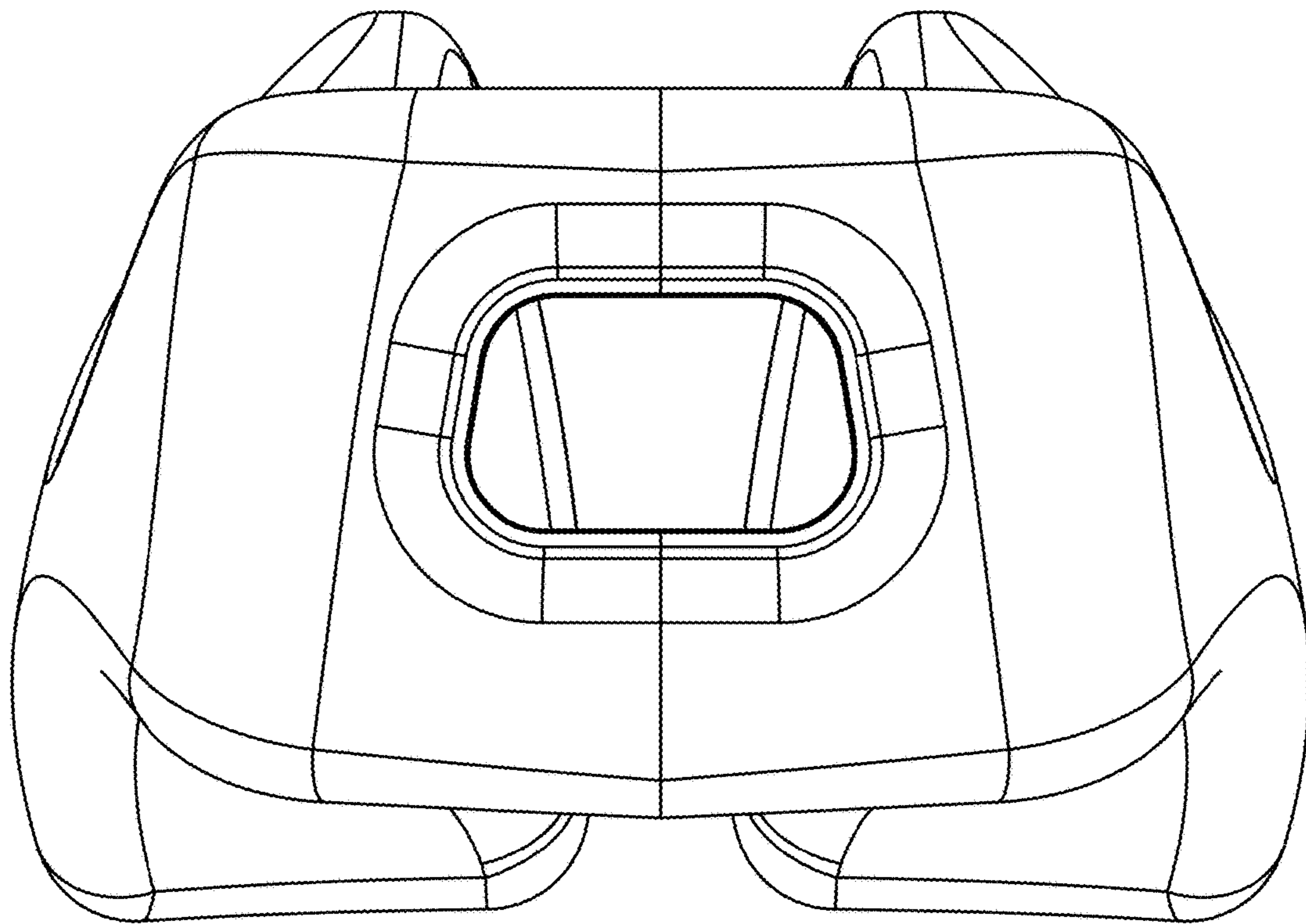


FIG.2

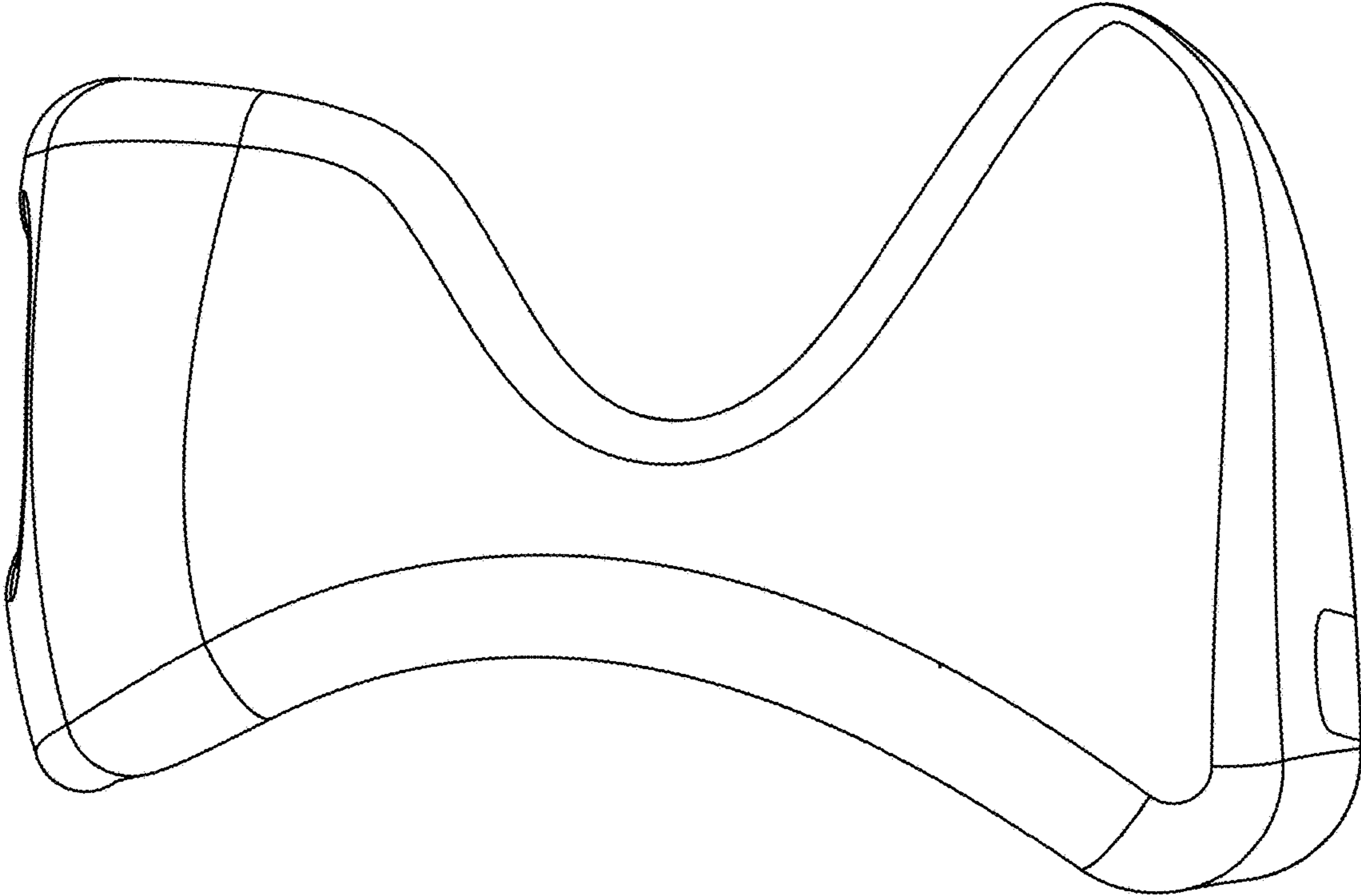


FIG.3

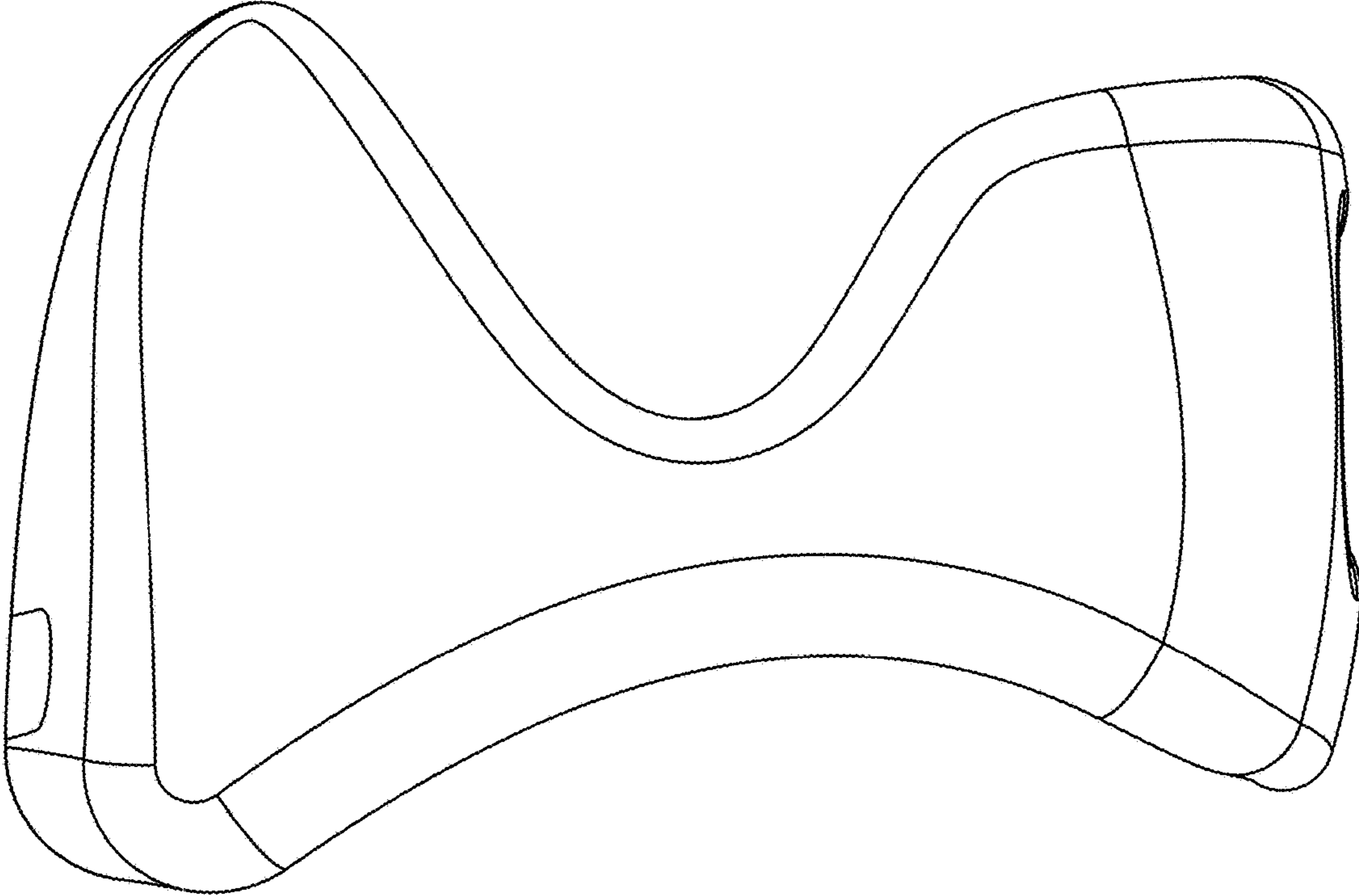


FIG.4

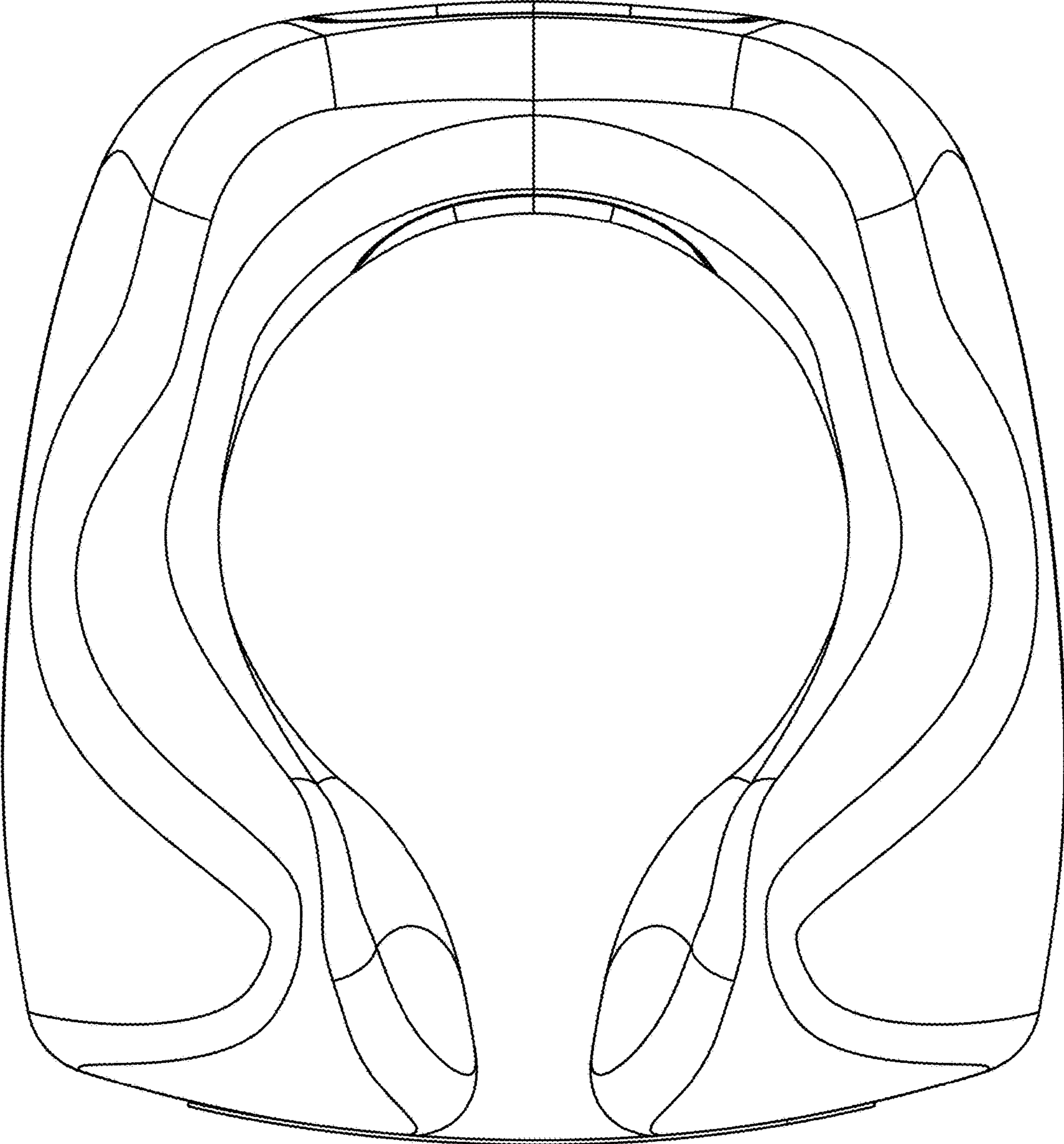


FIG.5

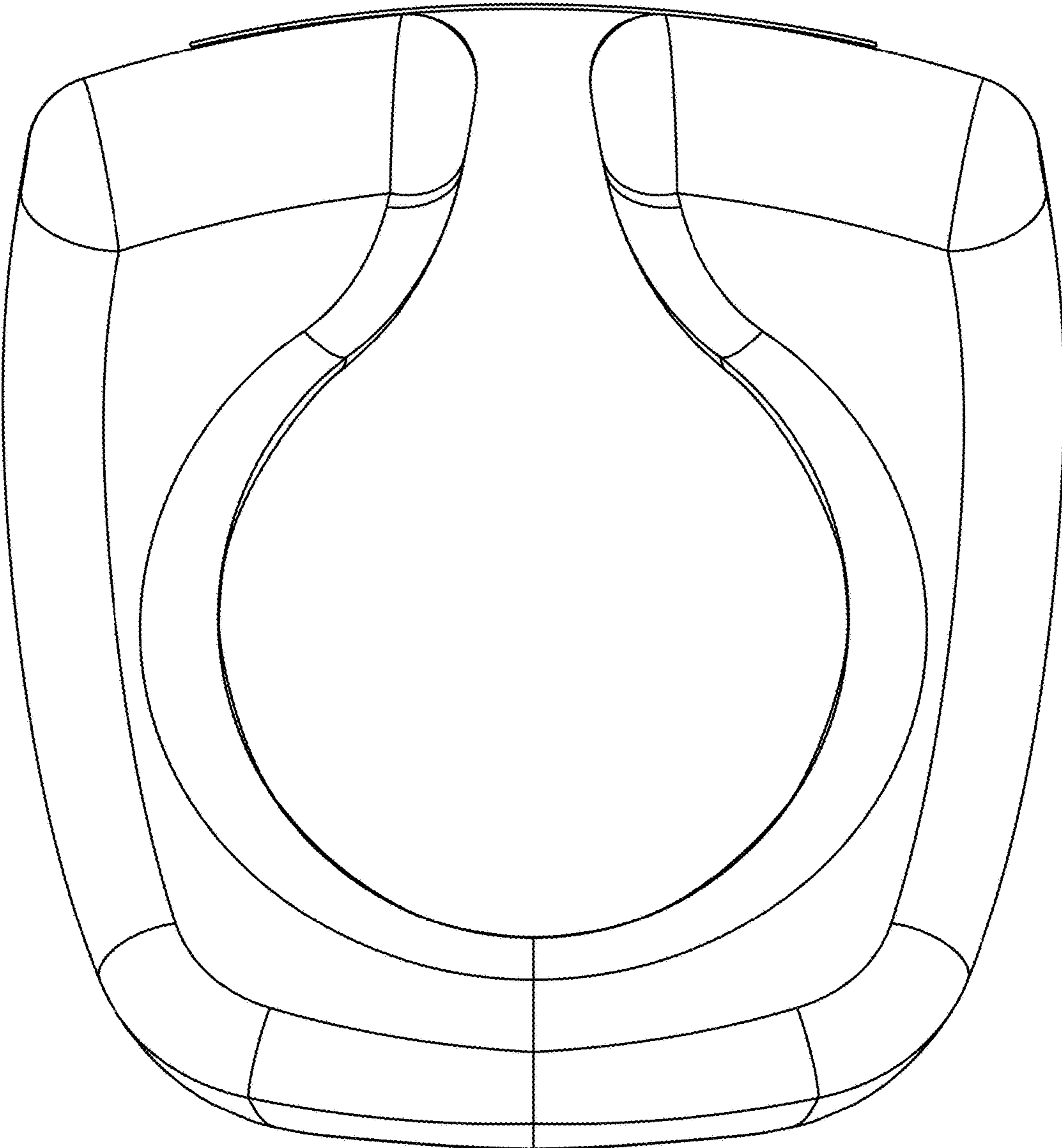


FIG. 6

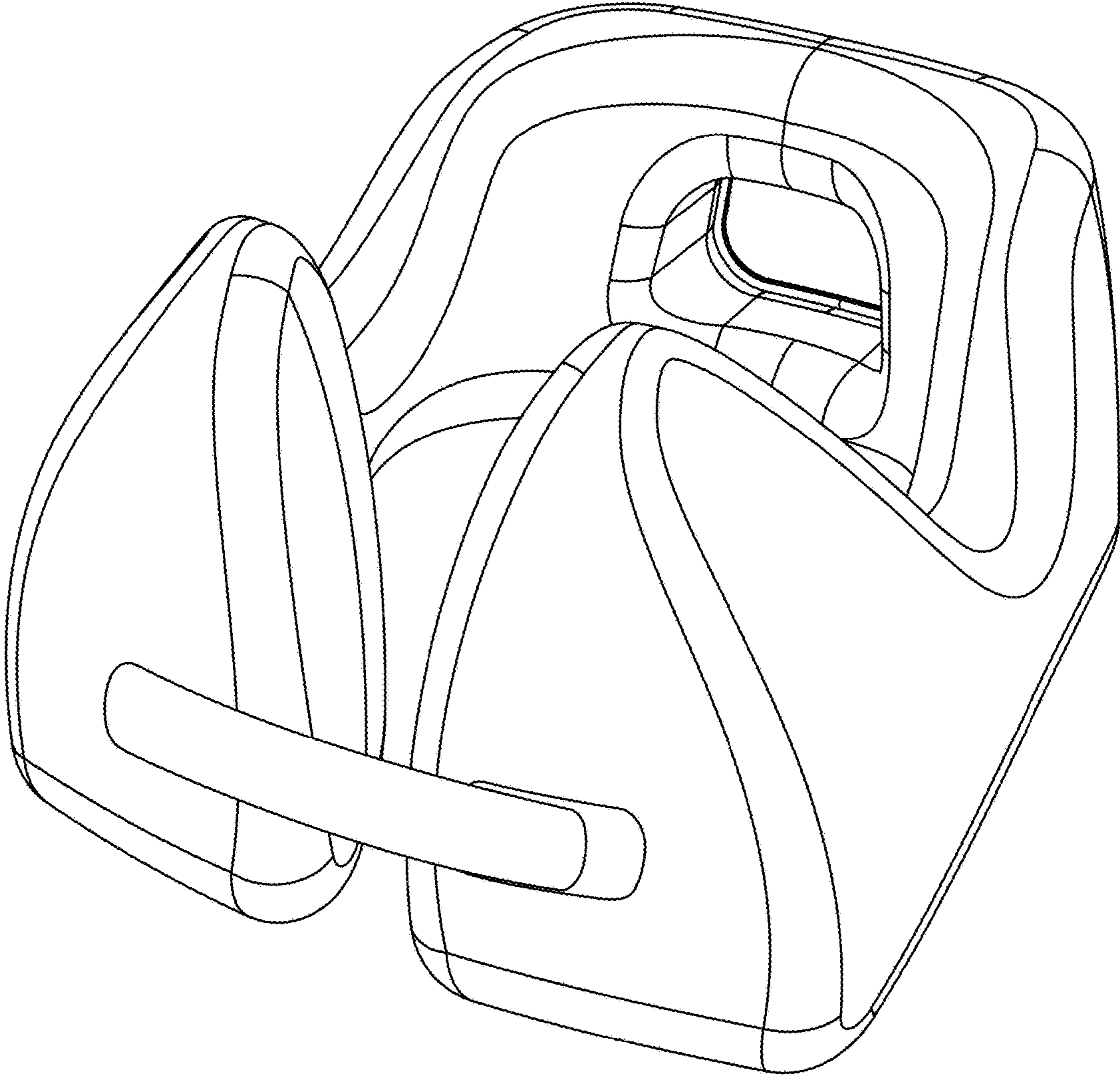


FIG.7

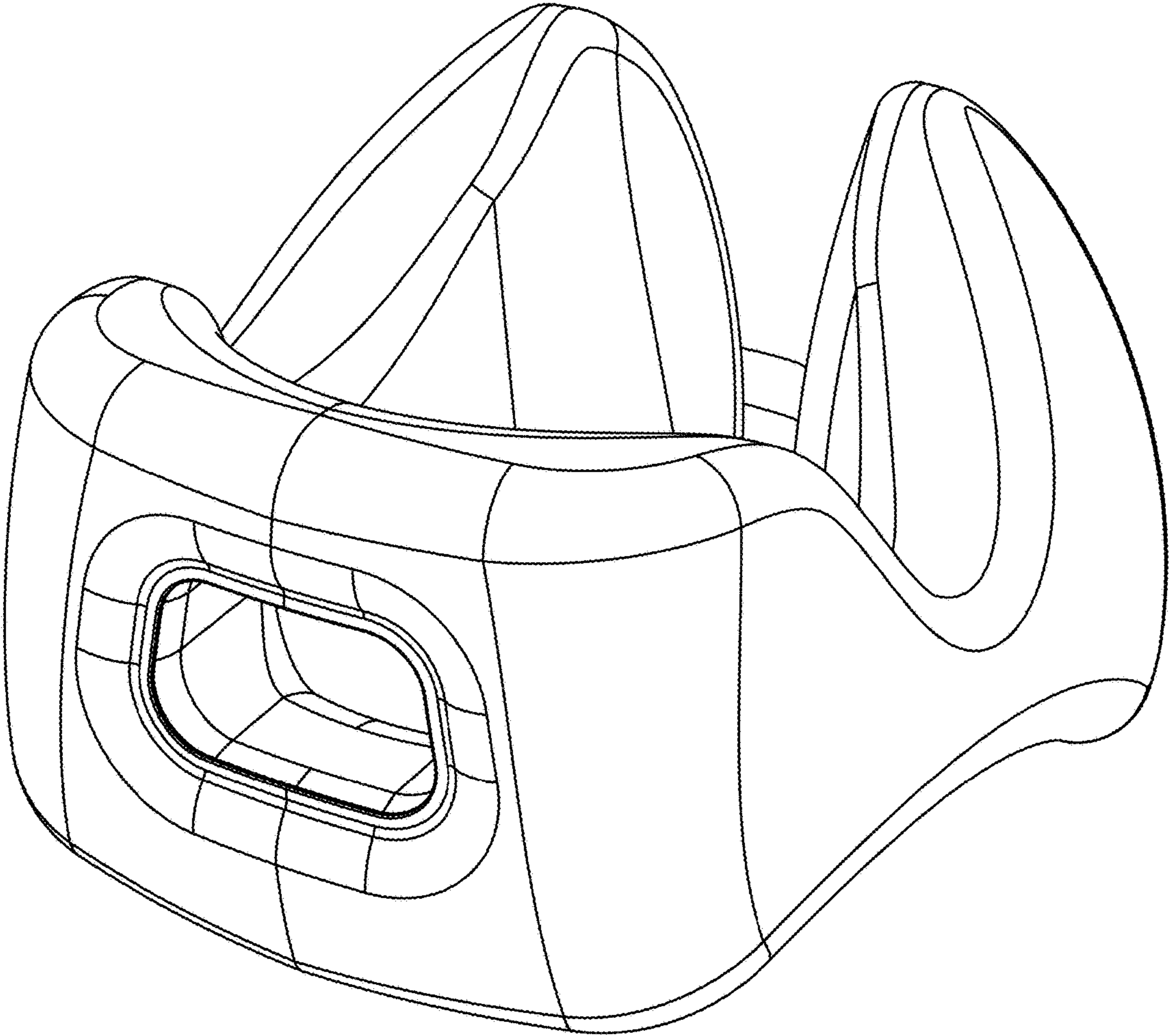


FIG.8