



US00D823021S

(12) **United States Design Patent**
Halley

(10) **Patent No.:** **US D823,021 S**
(45) **Date of Patent:** **** Jul. 17, 2018**

(54) **MULTI-POSITION MULTI-OBJECT ORGANIZER STAND**

(71) Applicant: **Ronald W. Halley**, Park Ridge, IL (US)

(72) Inventor: **Ronald W. Halley**, Park Ridge, IL (US)

(**) Term: **15 Years**

(21) Appl. No.: **29/563,992**

(22) Filed: **May 10, 2016**

(51) **LOC (11) Cl.** **06-03**

(52) **U.S. Cl.**
USPC **D6/406.4**

(58) **Field of Classification Search**
USPC ... D6/406.1-406.6, 552, 553, 562, 675, 680,
D6/682-682.4, 675.3, 672; D25/61, 67,
D25/68, 48.3; D19/34.1, 90
CPC A47G 1/16; A47B 65/20; A47B 65/15;
A47B 65/10; A47B 65/00; A47B 17/036;
A47B 57/045
See application file for complete search history.

(56) **References Cited**

U.S. PATENT DOCUMENTS

D68,319 S *	9/1925	Lavick	312/128
D82,098 S *	9/1930	Marsh	D6/682.4
2,490,356 A *	12/1949	Hummel	A47B 23/043
			211/72
D162,262 S *	2/1951	Veeder	211/59.1
D174,673 S *	5/1955	Caird	131/241
D181,096 S *	10/1957	Greif	D19/113
D216,605 S *	2/1970	Brindley	D6/407
D218,205 S *	7/1970	Brake	D6/515

D281,209 S *	11/1985	Burns	D6/310
D289,586 S *	5/1987	Staab	D6/672
D308,777 S *	6/1990	Gambello	D6/682.2
D349,904 S *	8/1994	Arenberg	D14/252
D361,225 S *	8/1995	Wilhite	D6/682.2
D362,565 S *	9/1995	Tubbs	D6/310
D368,187 S *	3/1996	Johnson	D6/682
D389,341 S *	1/1998	Danner	D6/682
D522,273 S *	6/2006	Benson	D6/682
D573,371 S *	7/2008	Lee	D6/682.2

* cited by examiner

Primary Examiner — Garth Rademaker

Assistant Examiner — Melvin L Davis

(74) *Attorney, Agent, or Firm* — Benjamin D. Rotman;
Rosenbaum IP, P.C.

(57) **CLAIM**

The ornamental design for a multi-position multi-object organizer stand, as shown and described.

DESCRIPTION

FIG. 1 is a front perspective view of a multi-position multi-object organizer stand in accordance with the invention;

FIG. 2 is a rear perspective view of FIG. 1;

FIG. 3 is a front elevation view of FIG. 1;

FIG. 4 is a rear elevation view of FIG. 1;

FIG. 5 is a left elevation view of FIG. 1;

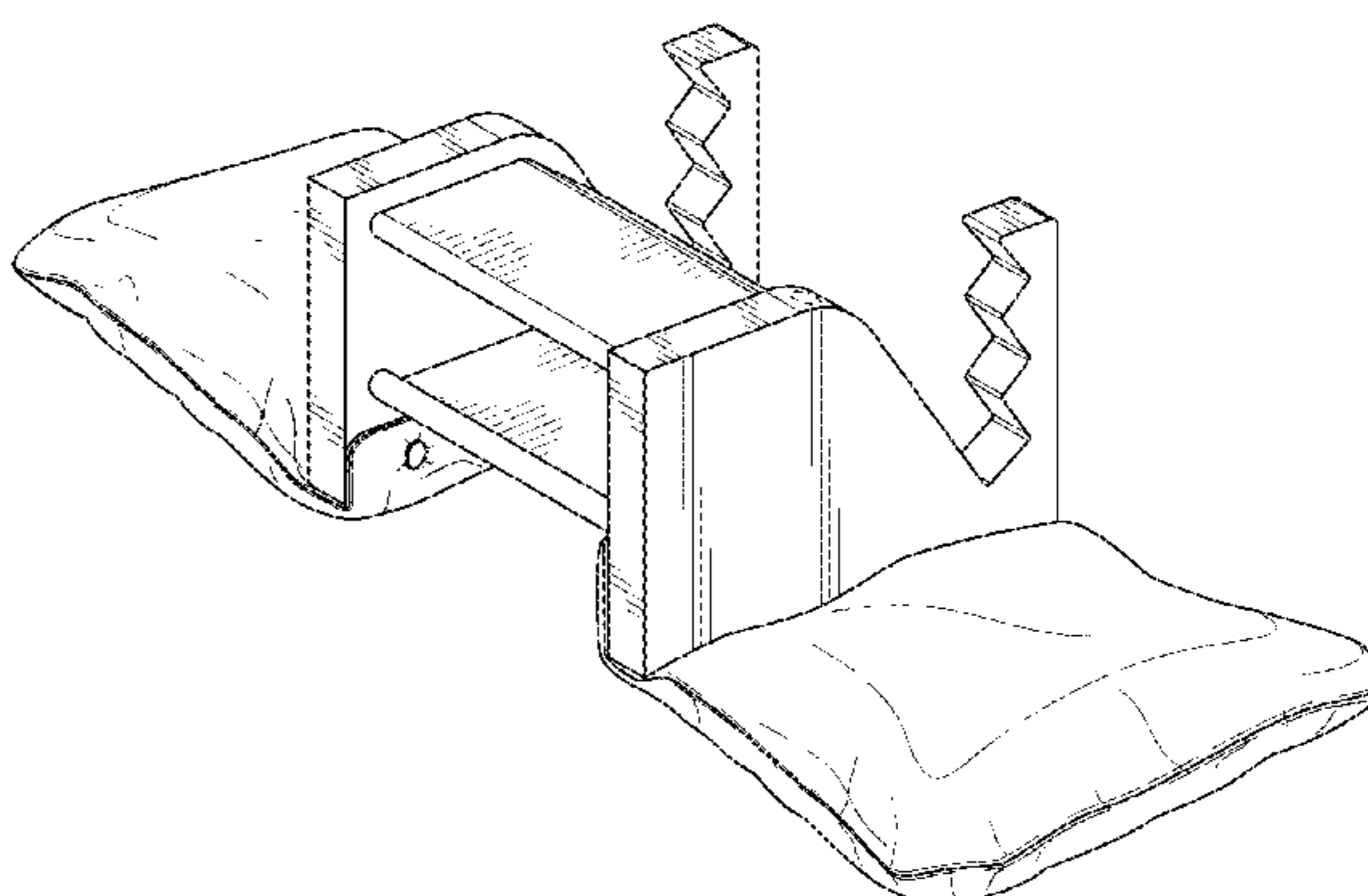
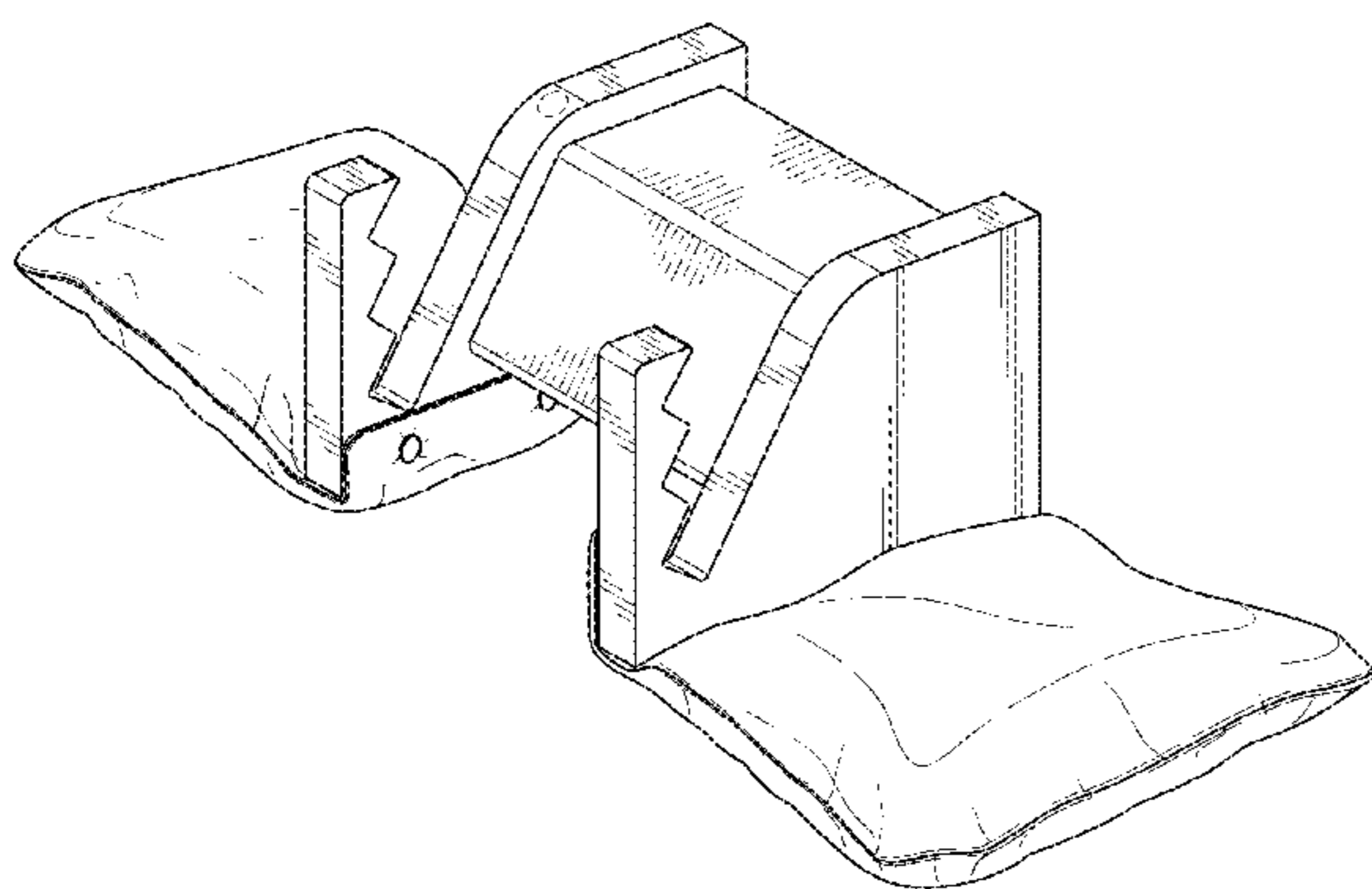
FIG. 6 is a right elevation view of FIG. 1;

FIG. 7 is a top plan view of FIG. 1; and,

FIG. 8 is a bottom plan view thereof.

The broken lines illustrate portions of the article that form no part of the claimed design.

1 Claim, 4 Drawing Sheets



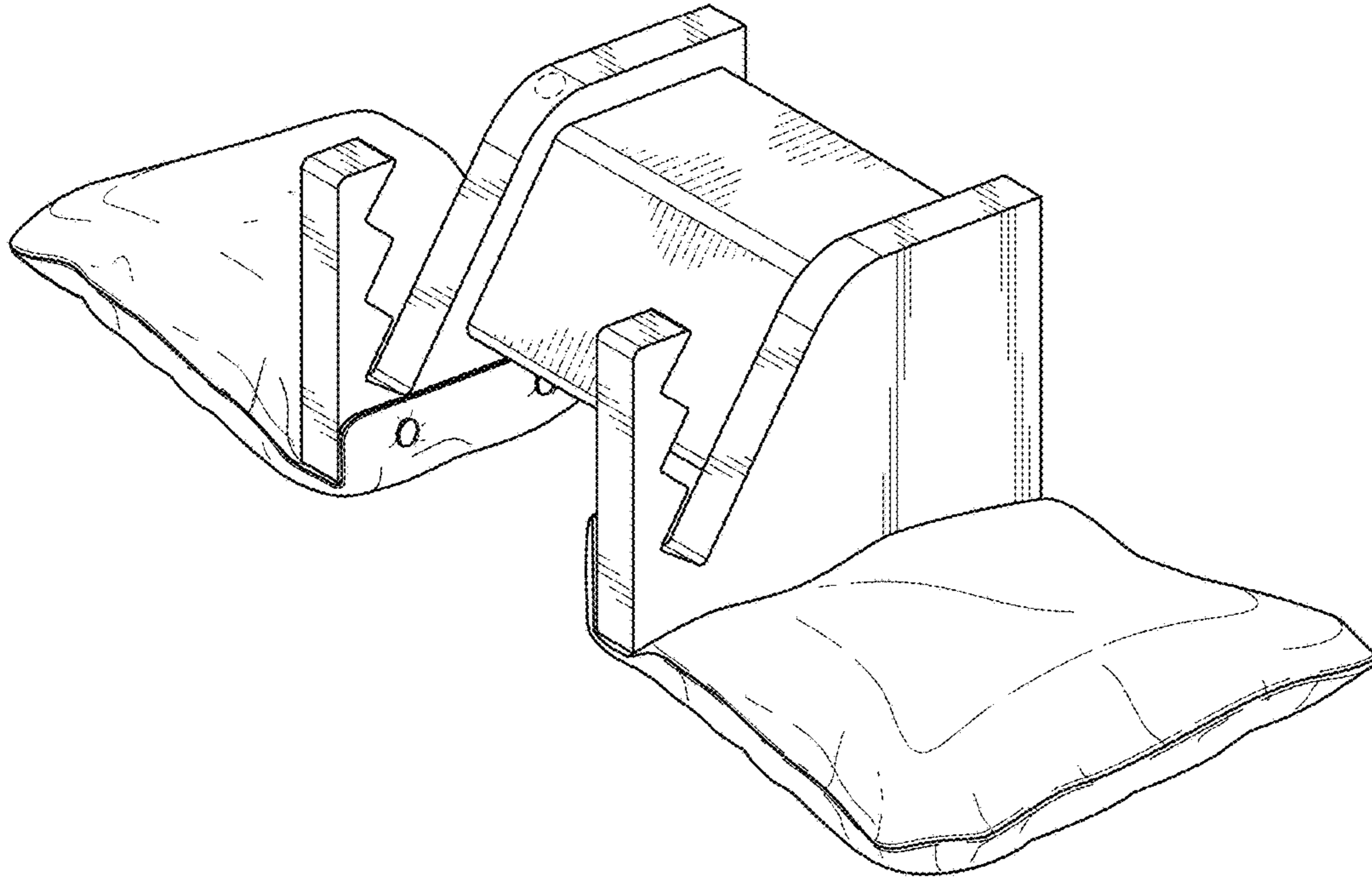


FIG. 1

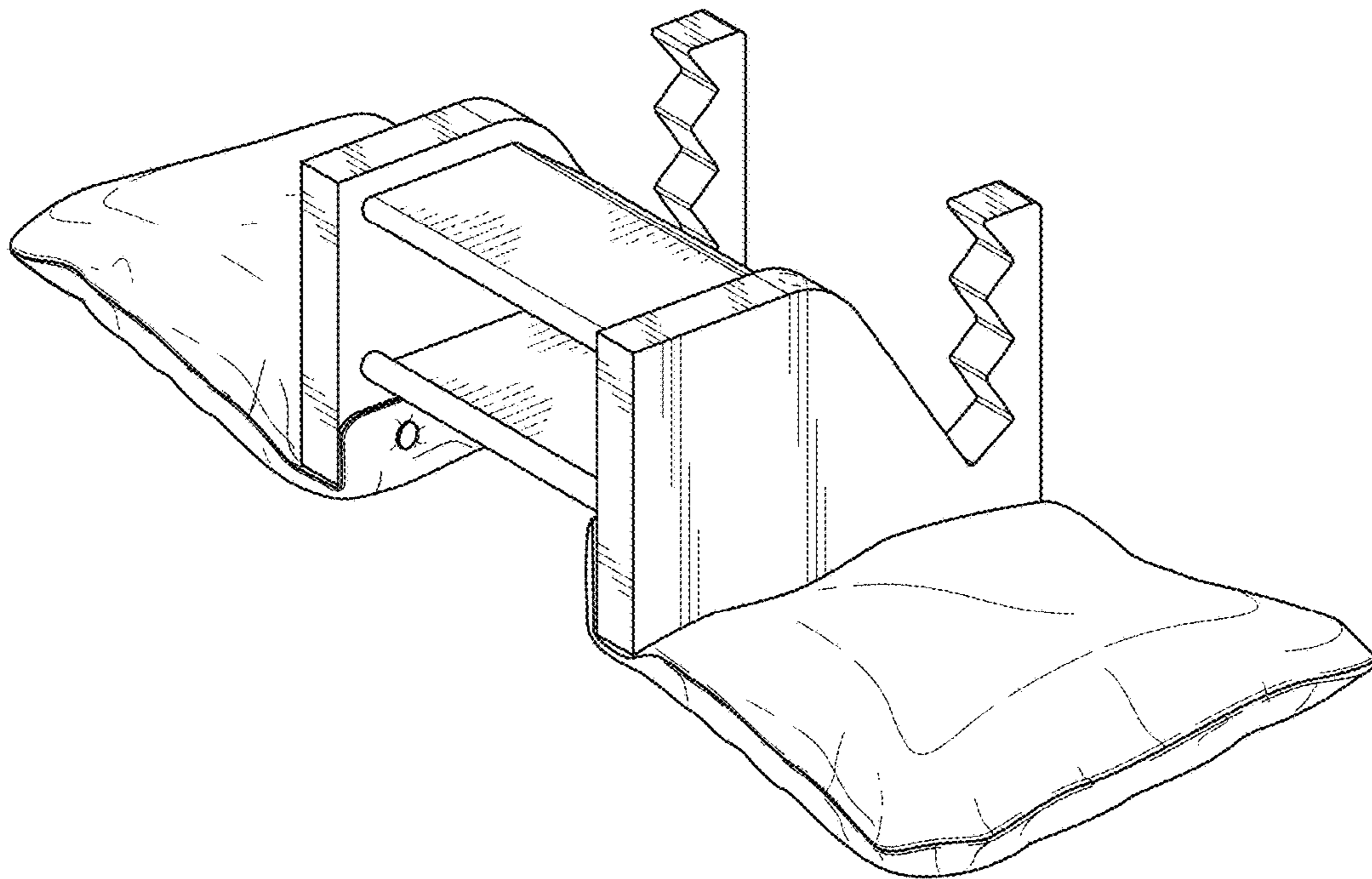


FIG. 2

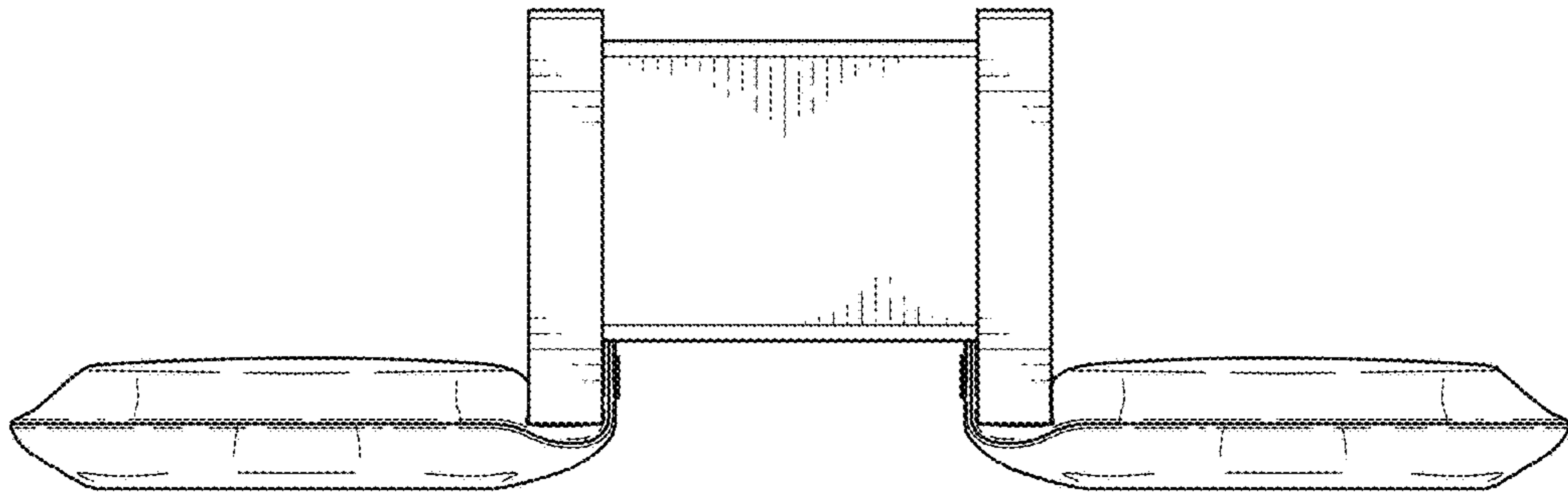


FIG. 3

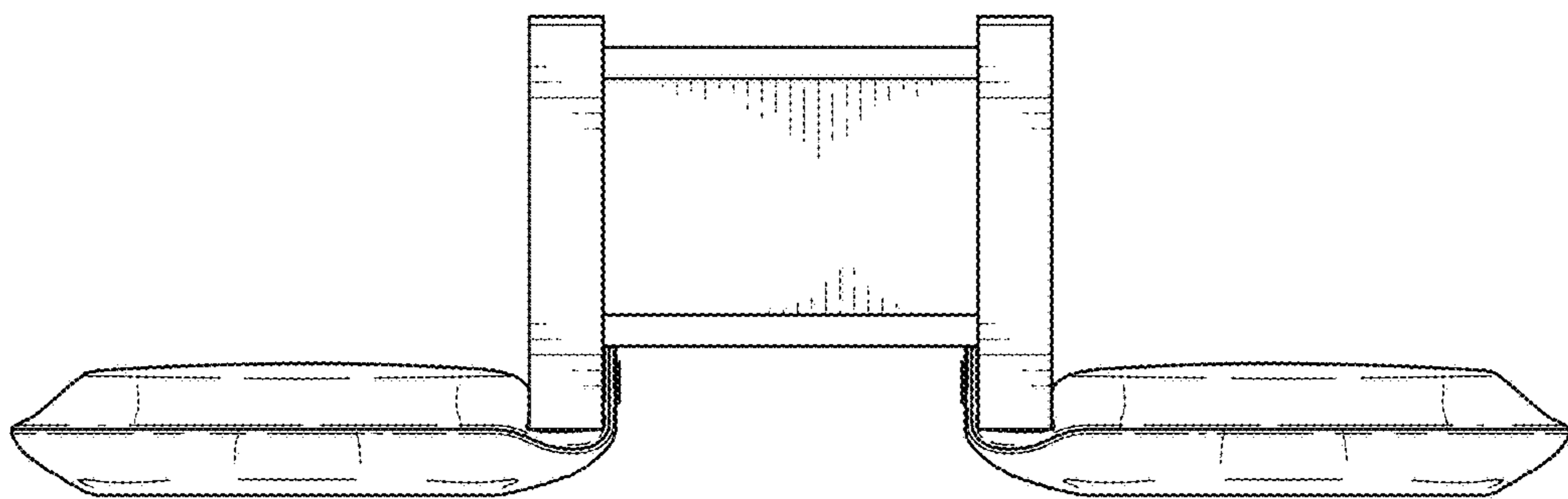


FIG. 4

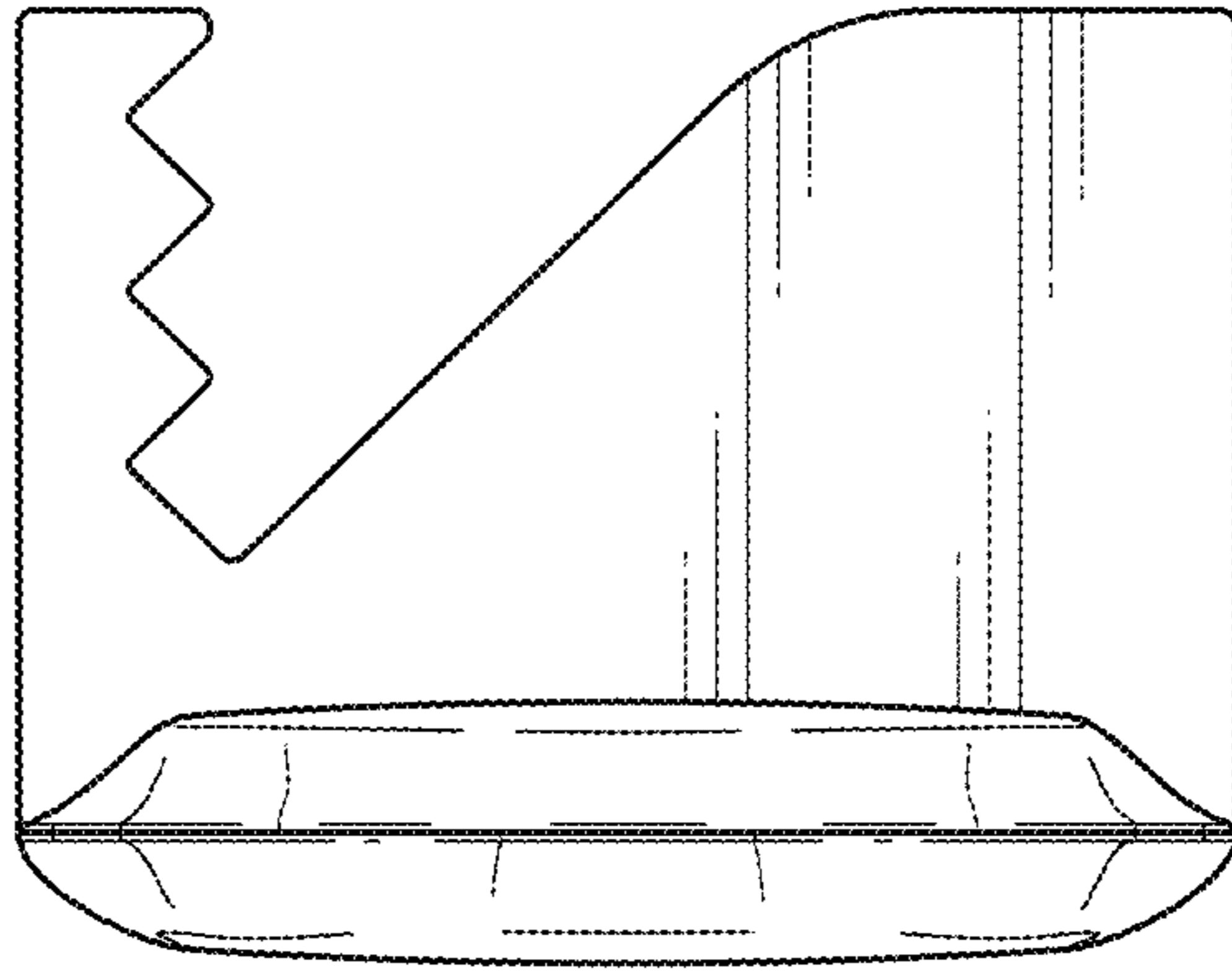


FIG. 5

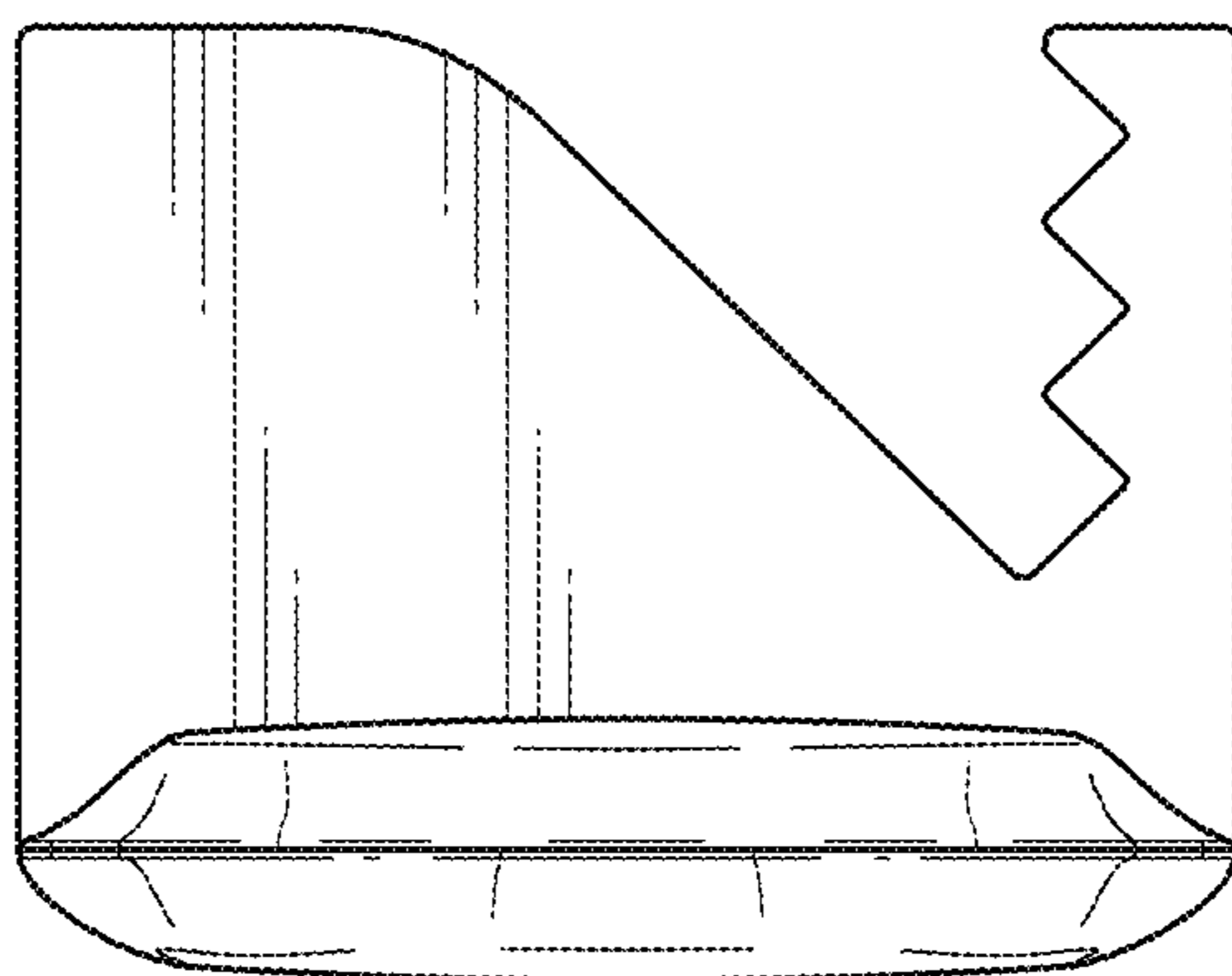


FIG. 6

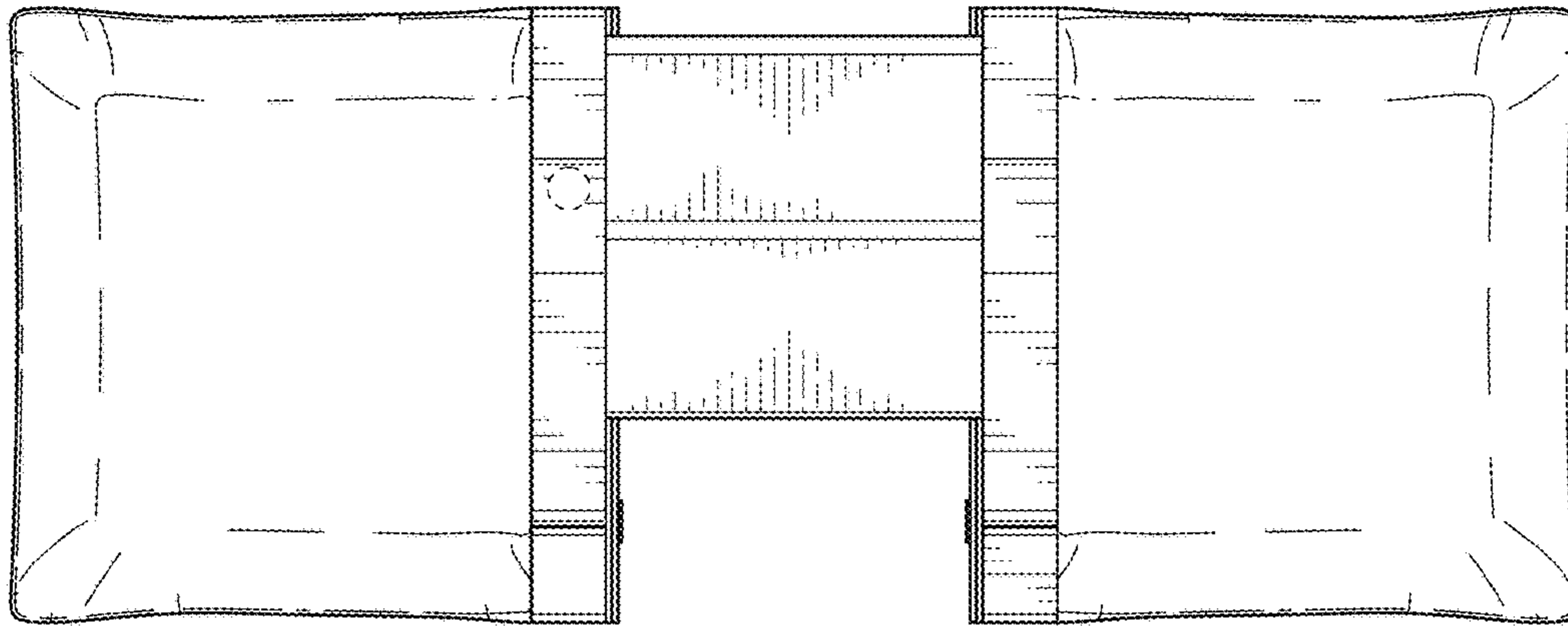


FIG. 7

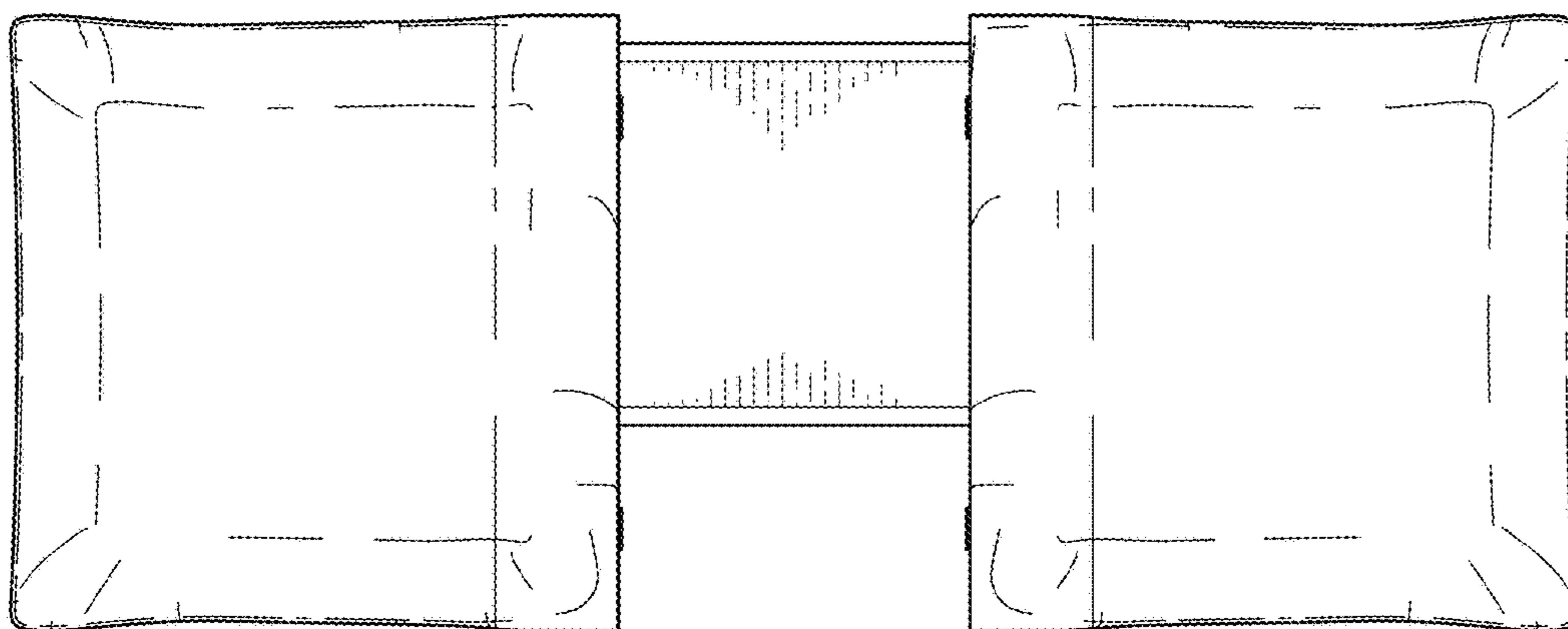


FIG. 8