



US00D823019S

(12) **United States Design Patent** (10) **Patent No.:** **US D823,019 S**  
**Pila Gonzalez** (45) **Date of Patent:** **\*\* Jul. 17, 2018**

(54) **CHAIR**  
(71) Applicant: **B. Pila Design Studio, Inc.**, Miami, FL (US)  
(72) Inventor: **Beatrice Pila Gonzalez**, Miami, FL (US)  
(\*\*) Term: **15 Years**  
(21) Appl. No.: **29/556,520**  
(22) Filed: **Mar. 1, 2016**  
(51) **LOC (11) Cl.** ..... **06-01**  
(52) **U.S. Cl.**  
USPC ..... **D6/371; D6/375**  
(58) **Field of Classification Search**  
USPC ..... D6/334-336, 371-373, 375, 376, 379, D6/380, 716, 716.1, 716.2, 716.3, 716.4  
CPC .... A47C 4/02; A47C 4/03; A47C 4/32; A47C 4/024; A47C 5/06; A47C 7/16; A47C 7/22  
See application file for complete search history.

D261,958 S \* 11/1981 Dowse ..... D6/375  
4,302,048 A \* 11/1981 Yount ..... A47C 4/02  
297/440.1  
D266,716 S \* 11/1982 Caldwell ..... D6/373  
D274,022 S \* 5/1984 Caldwell ..... D6/373  
D285,877 S \* 9/1986 Goldman ..... D6/367  
D291,632 S \* 9/1987 Zola ..... D6/370  
D294,783 S \* 3/1988 Goldman ..... D6/373  
D296,848 S \* 7/1988 Colby ..... D6/361  
D300,189 S \* 3/1989 Frinier ..... D6/379  
4,830,435 A \* 5/1989 Nemschoff ..... A47C 3/00  
297/440.2  
D315,258 S \* 3/1991 Gibbs ..... D6/379  
D344,194 S \* 2/1994 Gibbs ..... D6/373  
D347,124 S \* 5/1994 Lowsky ..... D6/373

(Continued)

**OTHER PUBLICATIONS**

Aspire design and home website, in Pursuit of Acrylic article, Oct. 6, 2015, <http://www.aspiremetro.com/in-pursuit-of-acrylic/>.\*

*Primary Examiner* — David Muller  
*Assistant Examiner* — Nathan Johnston  
(74) *Attorney, Agent, or Firm* — Sanchelima & Associates, P.A.; Christian Sanchelima; Jesus Sanchelima

(56) **References Cited**

**U.S. PATENT DOCUMENTS**

D110,387 S \* 7/1938 Eppenstein ..... D6/373  
D193,843 S \* 10/1962 Ohleson ..... D6/379  
3,359,035 A \* 12/1967 Bernard  
Schiffman ..... A47D 1/002  
297/317  
3,601,176 A \* 8/1971 Savickas ..... A47C 5/06  
160/327  
3,698,766 A \* 10/1972 Borenstein ..... A47C 4/02  
297/450.1  
D226,646 S \* 4/1973 Cross ..... D6/371  
3,972,559 A \* 8/1976 Anacker ..... A47C 5/06  
297/1  
D242,309 S \* 11/1976 Woods ..... D6/373  
D250,922 S \* 1/1979 Adkinson ..... D6/379  
4,188,066 A \* 2/1980 Terenzoni ..... A47C 4/02  
297/440.23  
D257,749 S \* 1/1981 Davis ..... D6/348

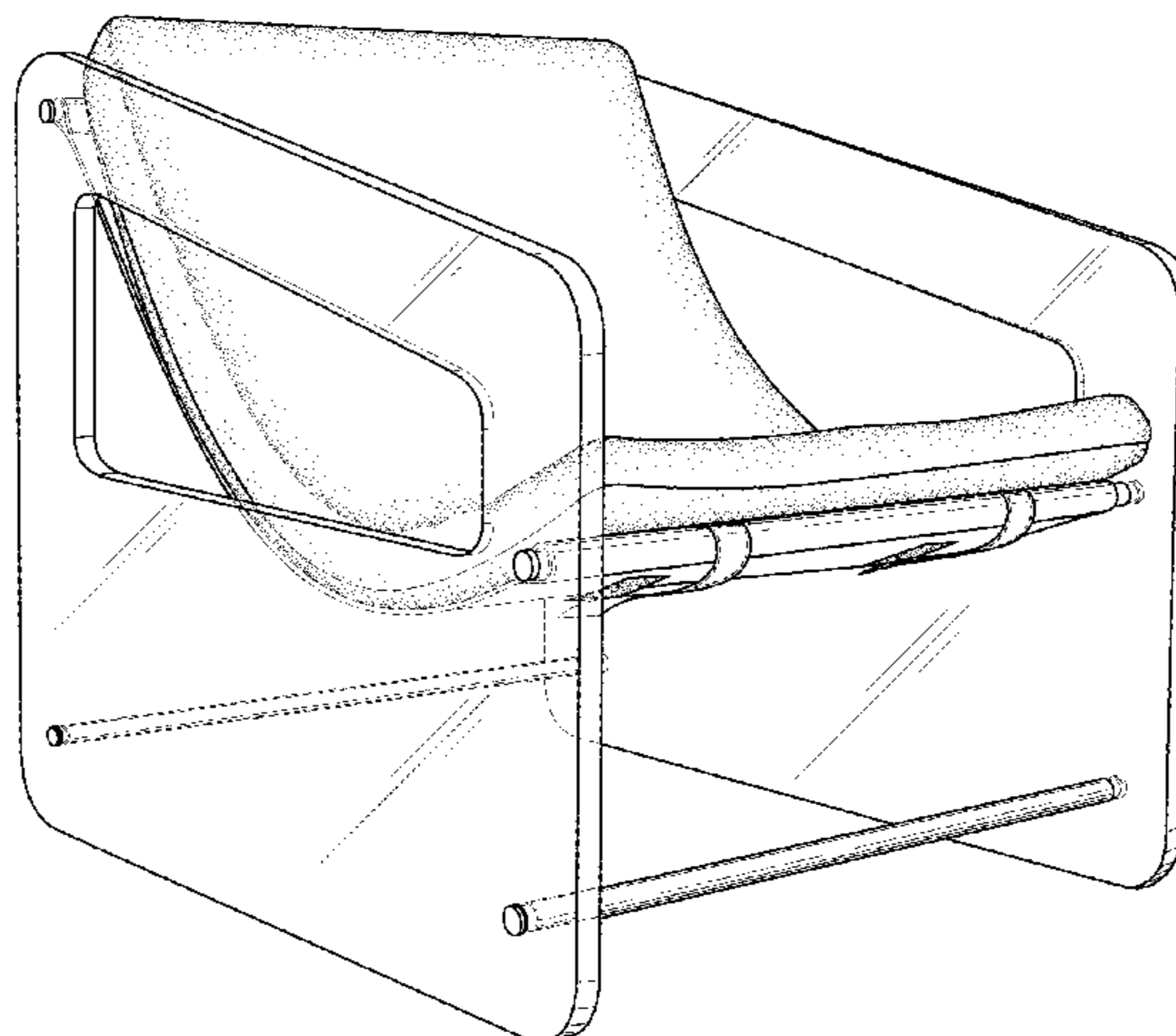
(57) **CLAIM**

The ornamental design for chair, as shown and described.

**DESCRIPTION**

FIG. 1 is an isometric view of a chair showing my new design;  
FIG. 2 is a front elevation view thereof;  
FIG. 3 is a rear elevation view thereof;  
FIG. 4 is a right elevation view thereof;  
FIG. 5 is a left side elevation view thereof; and  
FIG. 6 is a top plan view thereof; and,  
FIG. 7 is a bottom plan view.  
The broken lines in FIGS. 1-3 and 7 depict portions of the chair that form no part of the claimed design.

**1 Claim, 7 Drawing Sheets**



(56)

**References Cited**

U.S. PATENT DOCUMENTS

D347,746	S	*	6/1994	Gibbs	.....	D6/373
D358,721	S	*	5/1995	Hess	.....	D6/373
5,454,331	A	*	10/1995	Green	.....	A47B 47/042
						108/180
D438,398	S	*	3/2001	Frinier	.....	D6/375
D479,657	S	*	9/2003	Calatrava Valls	.....	D6/368
D498,939	S	*	11/2004	Kirkpatrick	.....	D6/372
D533,365	S	*	12/2006	Martin	.....	D6/334
D536,541	S	*	2/2007	Kreiss	.....	D6/334
D580,664	S	*	11/2008	Cramer	.....	D6/334
D591,524	S	*	5/2009	Davis	.....	D6/375
D642,818	S	*	8/2011	Caldwell	.....	D6/375
D648,558	S	*	11/2011	Lievore	.....	D6/372
D703,960	S	*	5/2014	Doyle	.....	D6/334
D779,850	S	*	2/2017	White, III	.....	D6/370
D788,482	S	*	6/2017	Maxwell	.....	D6/375

\* cited by examiner

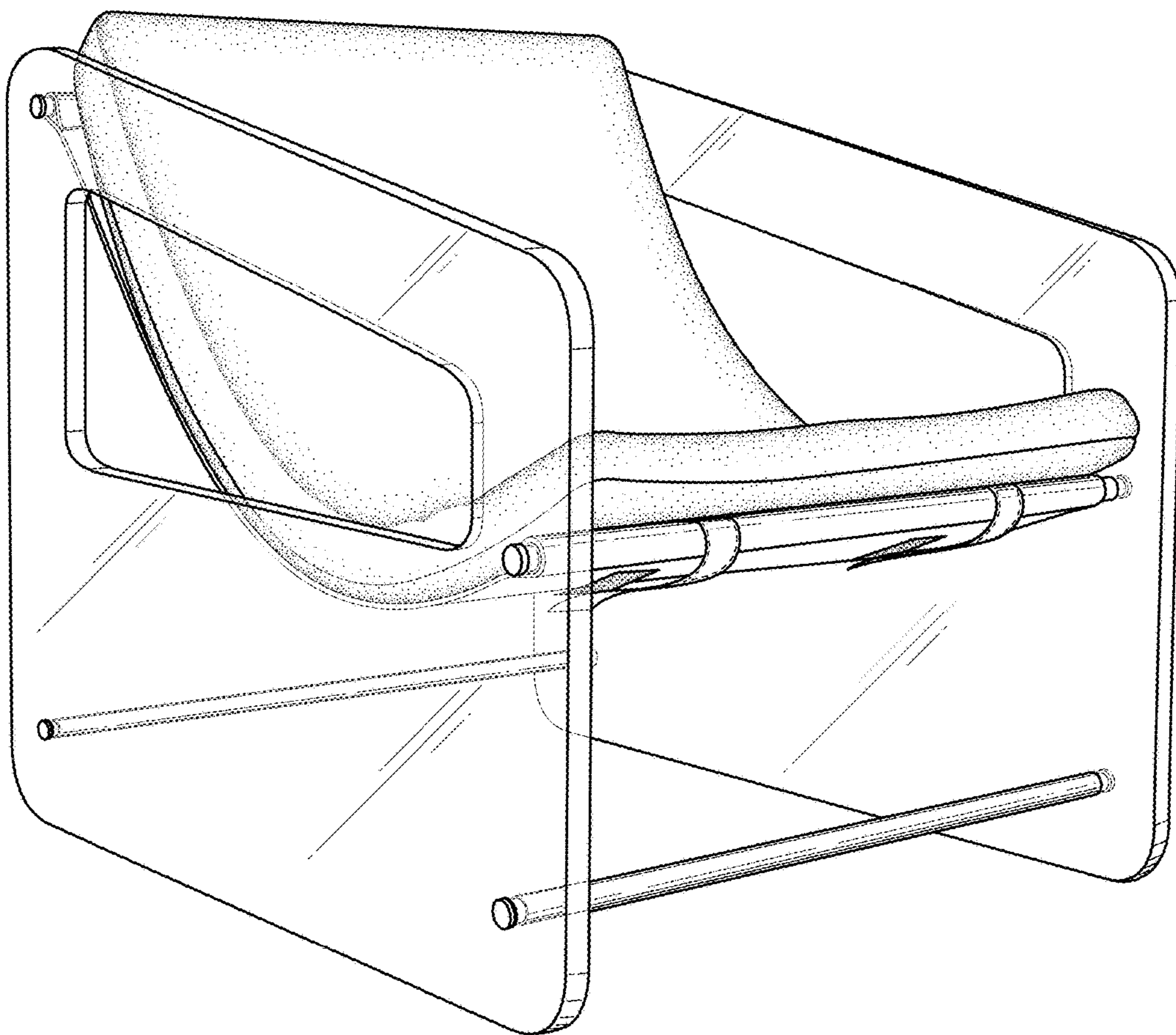


FIG. 1

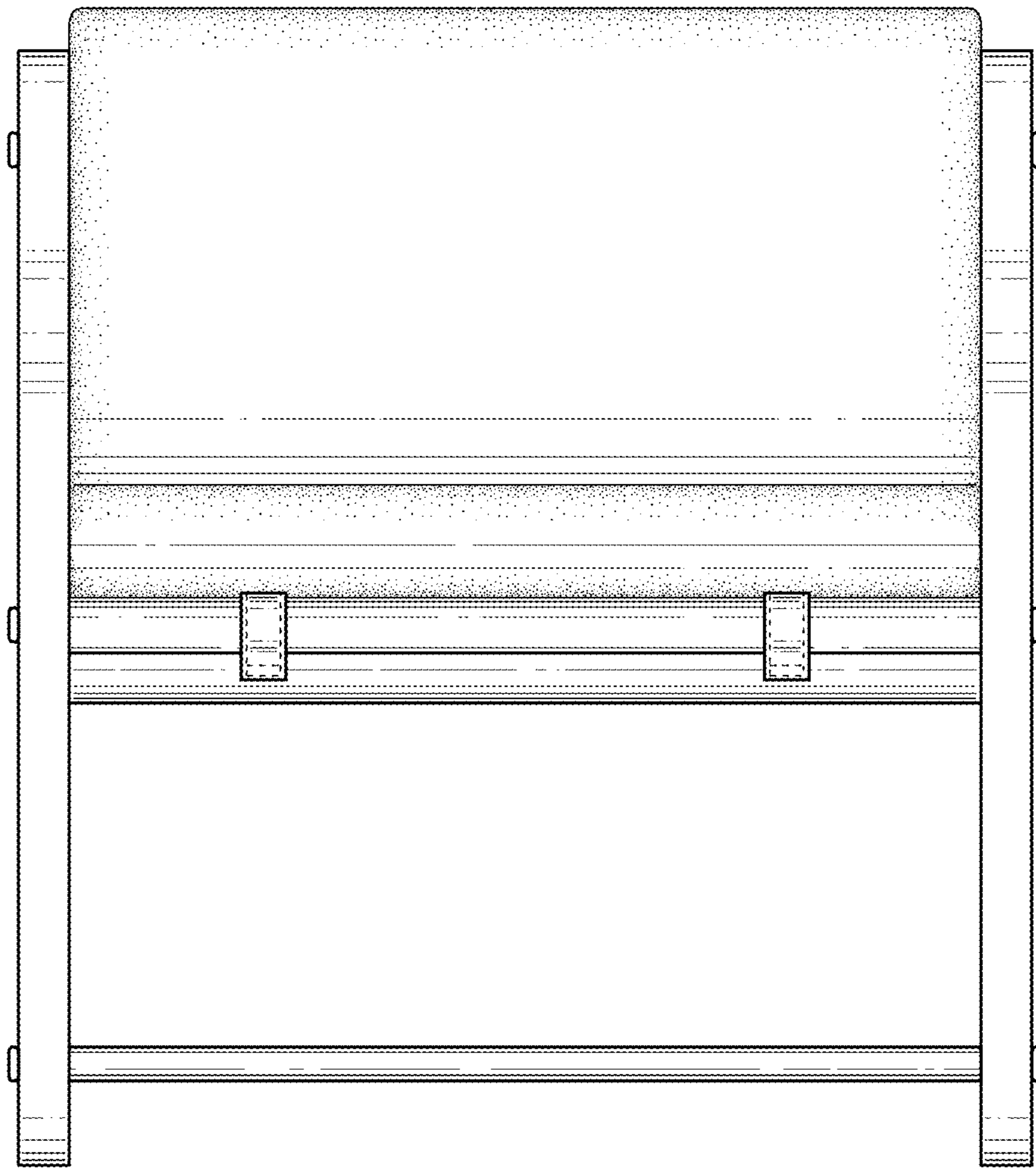


FIG. 2

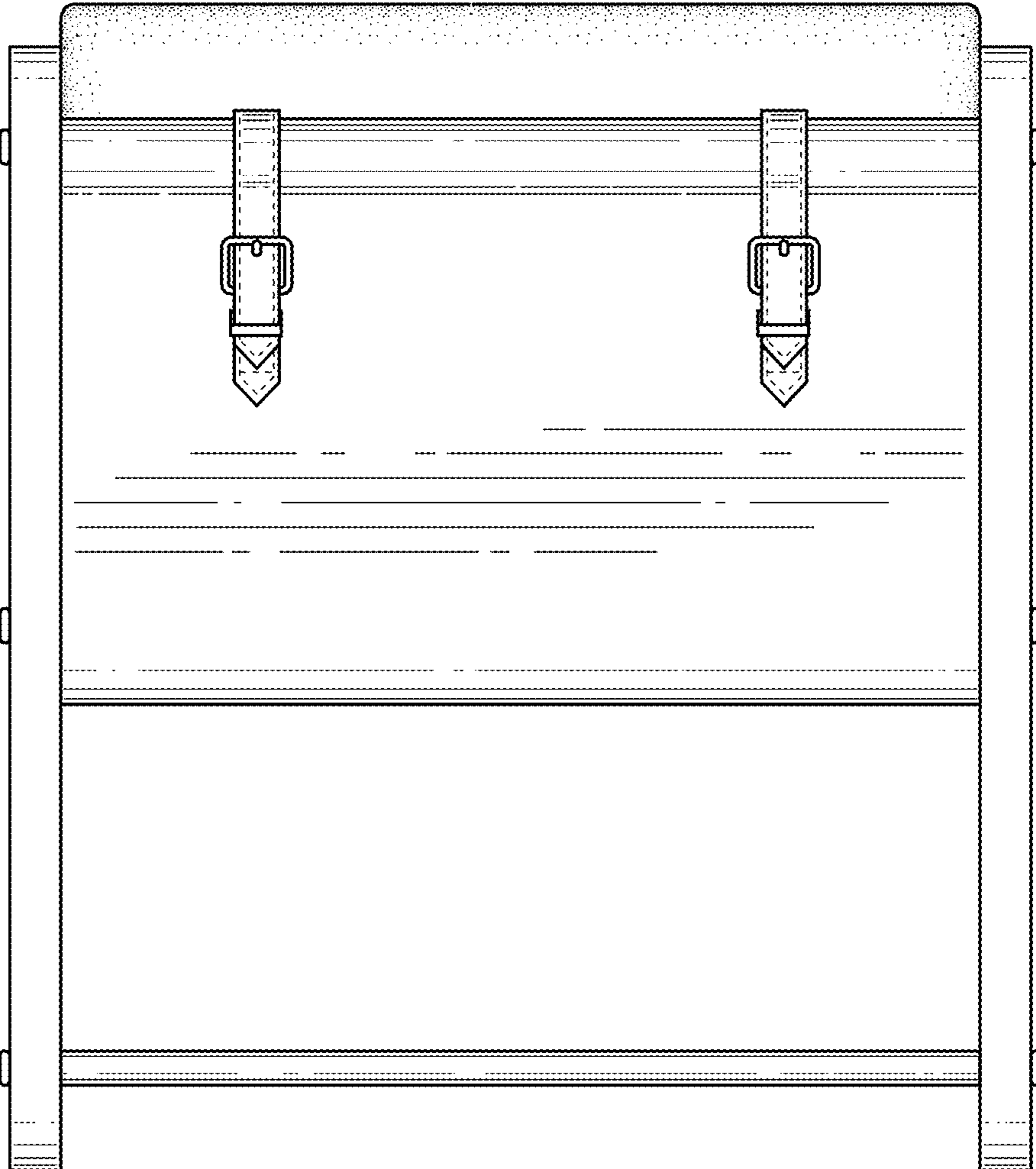


FIG. 3

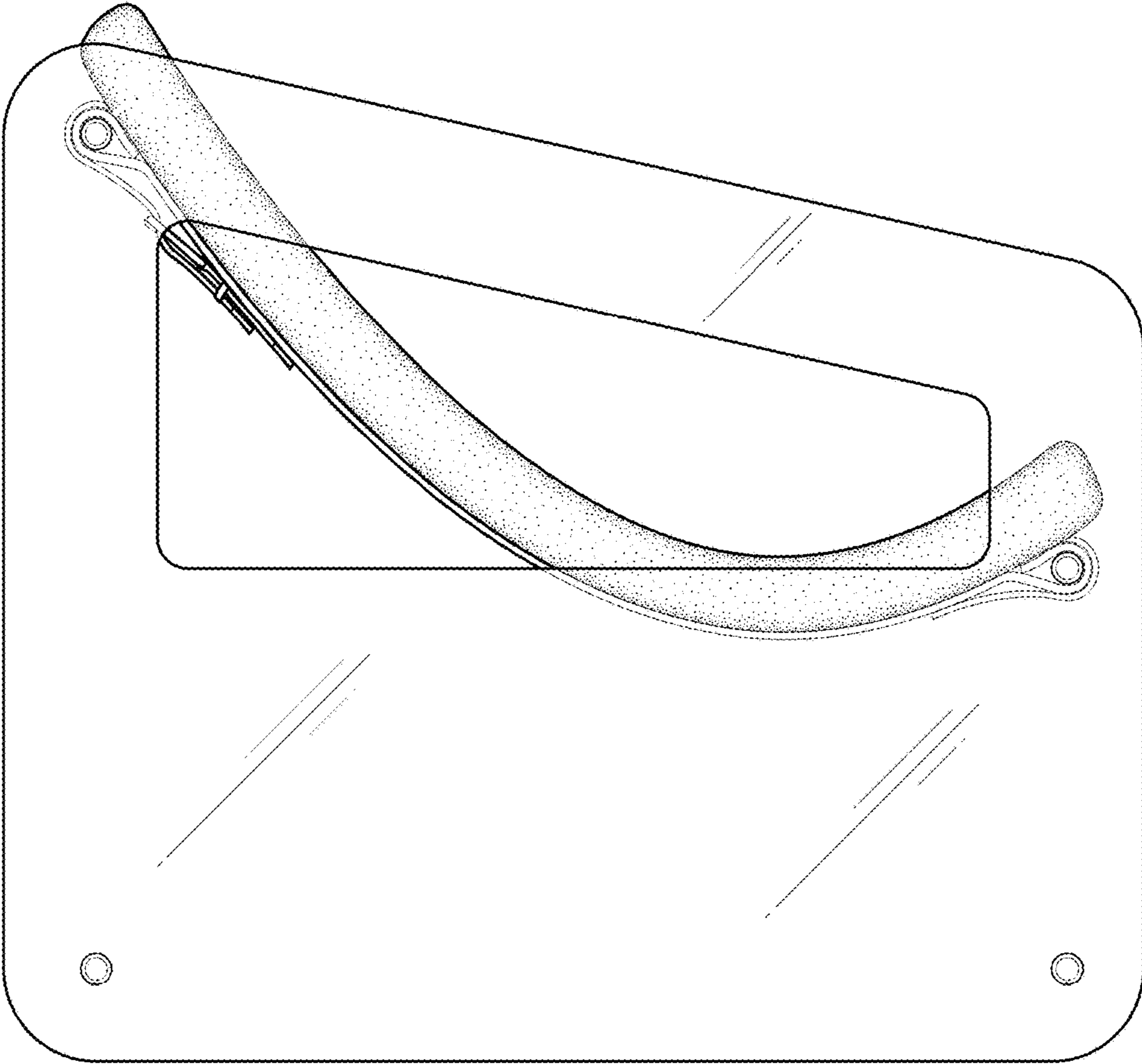


FIG. 4

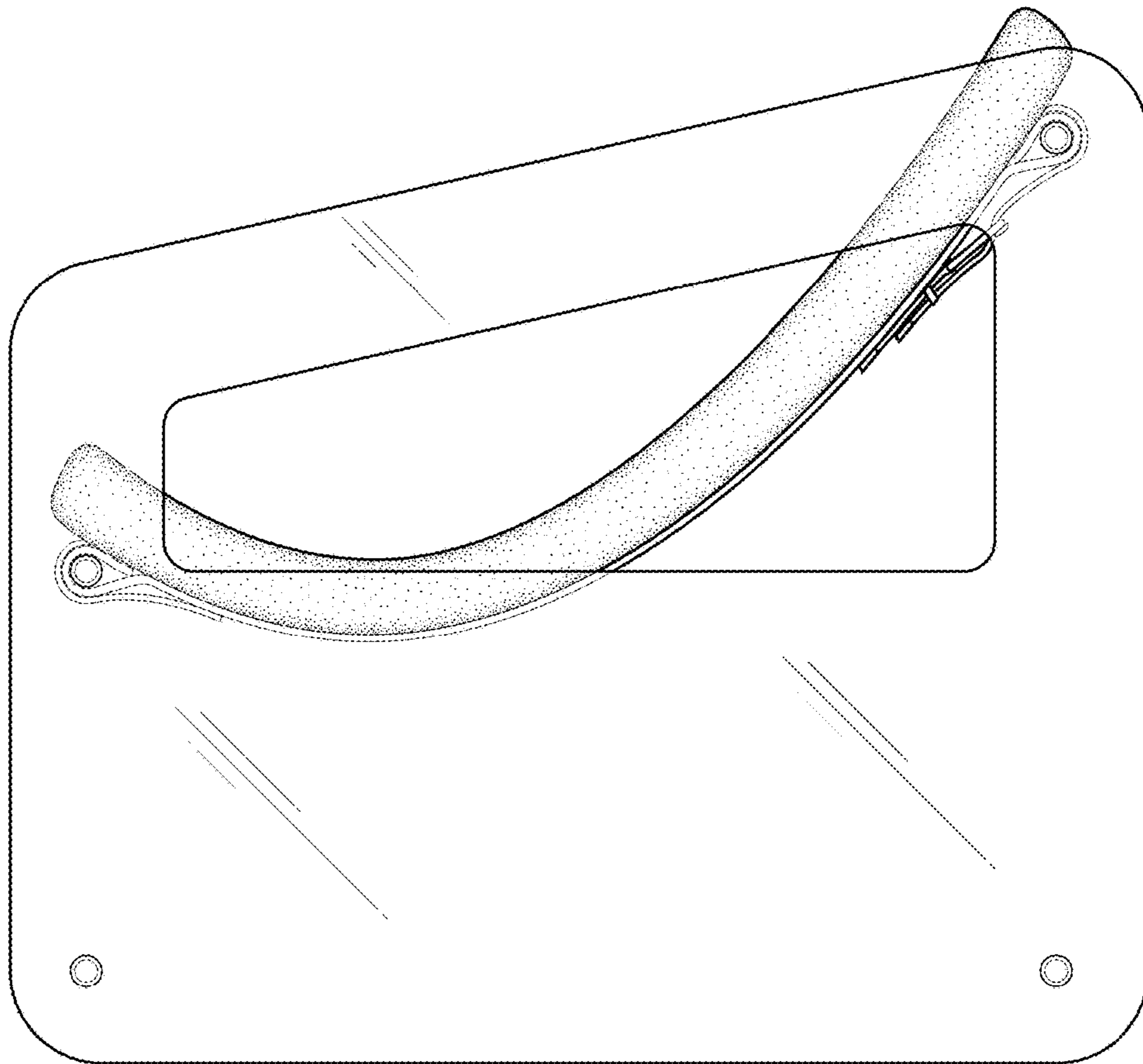


FIG. 5

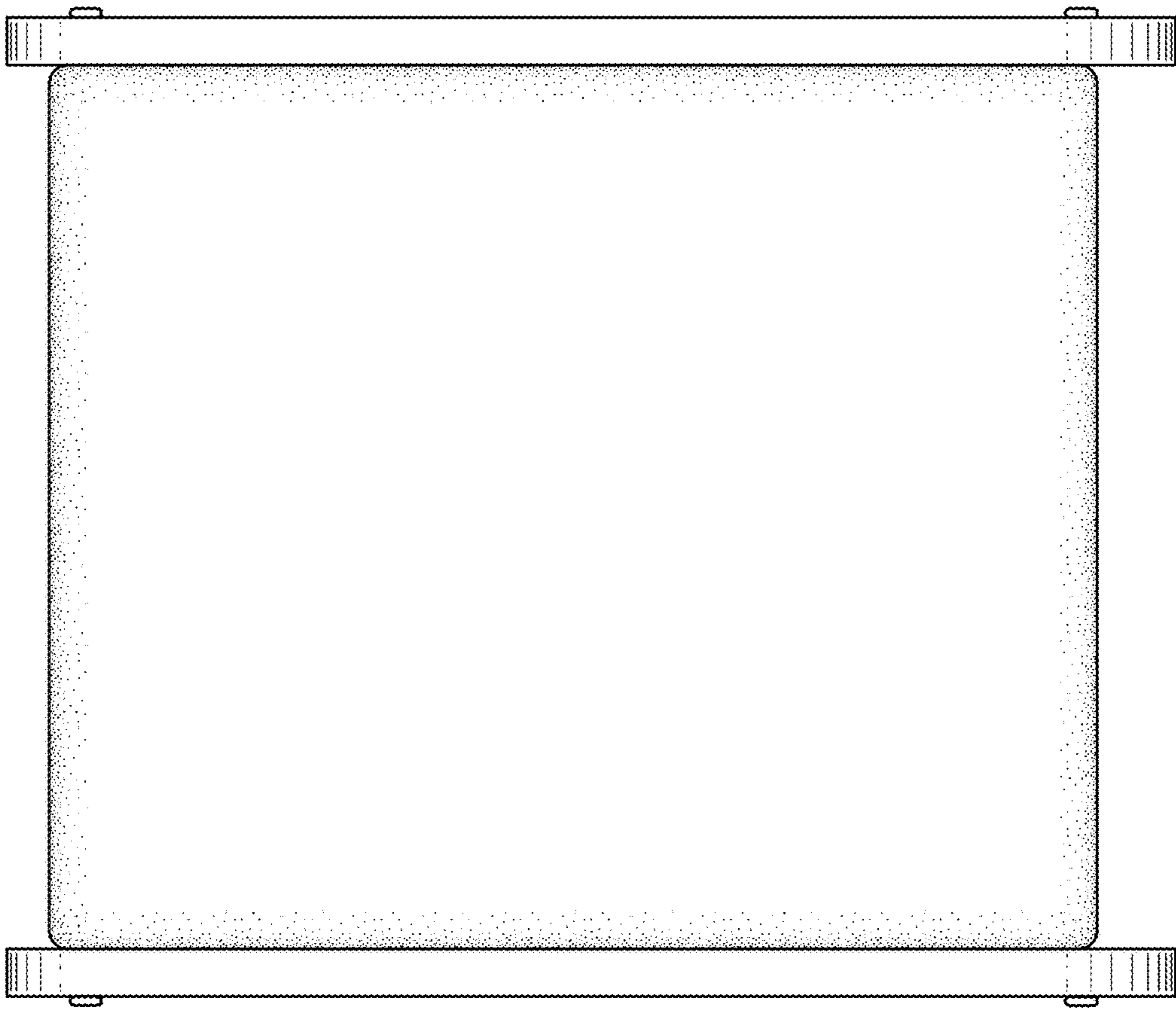


FIG. 6



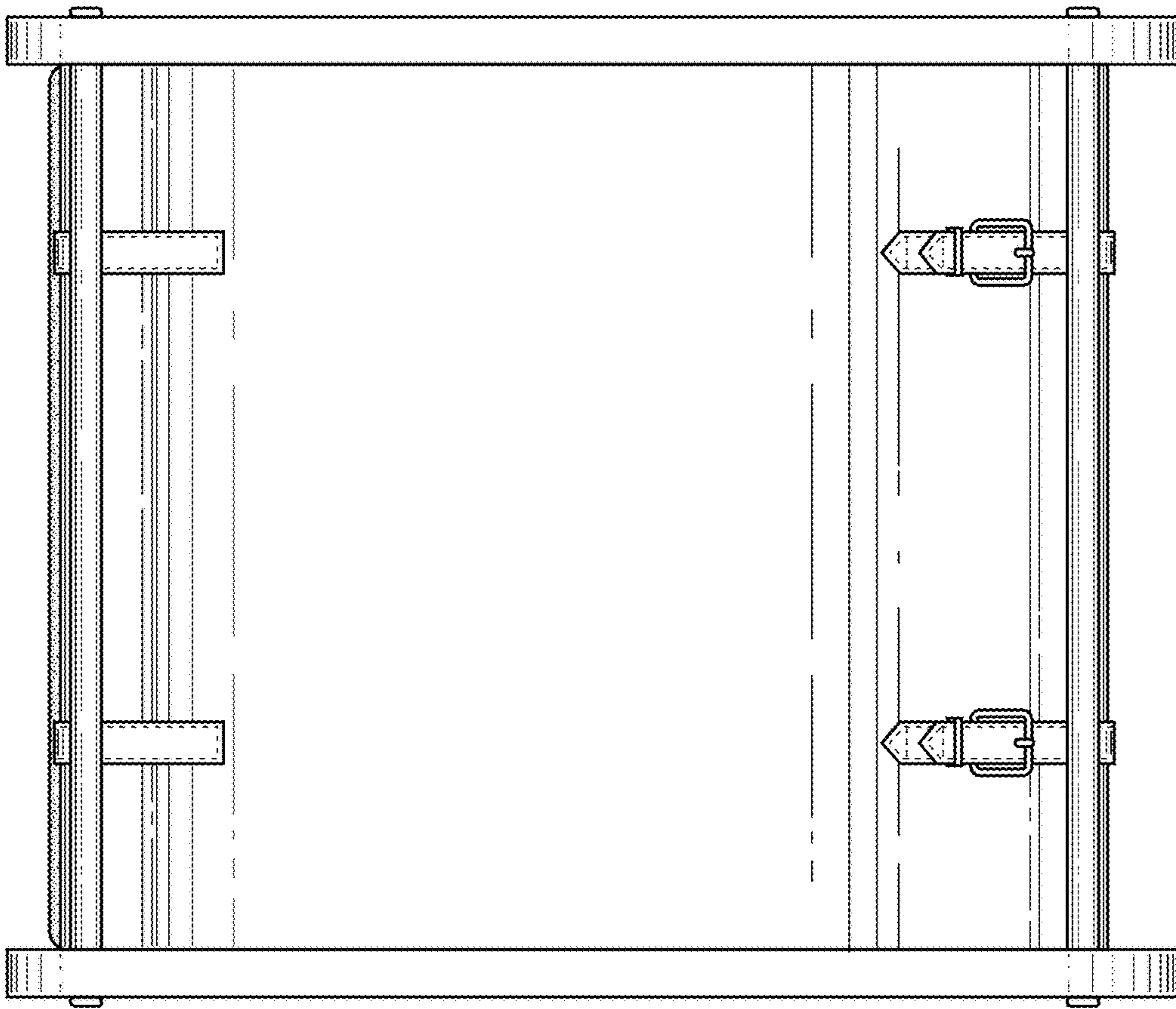


FIG. 7