



US00D823018S

(12) **United States Design Patent**
Li

(10) **Patent No.:** **US D823,018 S**
(45) **Date of Patent:** **** Jul. 17, 2018**

(54) **CHAIR**
(71) Applicant: **Homy Casa Limited**, GuangZhou (CN)
(72) Inventor: **YueHai Li**, Guangzhou (CN)
(73) Assignee: **HOMY CASA LIMITED**, Guangzhou (CN)

D575,085 S * 8/2008 Su D6/366
D575,969 S * 9/2008 Su D6/366
D580,689 S * 11/2008 Su D6/366
D581,708 S * 12/2008 Su D6/366
7,604,299 B2 * 10/2009 Su A47C 7/40
297/452.18
D603,196 S * 11/2009 Su D6/366
D653,045 S * 1/2012 Schaack D6/366
D758,086 S * 6/2016 Hurford D6/366

(**) Term: **15 Years**

* cited by examiner

(21) Appl. No.: **29/611,482**

Primary Examiner — Mimoso De

(22) Filed: **Jul. 21, 2017**

(74) *Attorney, Agent, or Firm* — Hauptman Ham, LLP

(51) **LOC (11) Cl.** **06-01**

(52) **U.S. Cl.**
USPC **D6/366**

(57) **CLAIM**

A new, original, ornamental design for a chair, as shown.

(58) **Field of Classification Search**
USPC D6/334-336, 364, 365, 366, 367, 374,
D6/379, 380, 716, 716.1, 716.2, 716.3,
D6/716.4
CPC A47C 7/004; A47C 7/006; A47C 7/022;
A47C 7/18; A47C 7/24; A47C 7/282;
A47C 7/285; A47C 7/40; A47C 7/44;
A47C 7/46

DESCRIPTION

FIG. 1 is a perspective view of a chair.
FIG. 2 is a front view thereof.
FIG. 3 is a left side view thereof.
FIG. 4 is a right side view thereof.
FIG. 5 is a top view thereof.
FIG. 6 is a bottom view thereof; and,
FIG. 7 is a back view thereof.
The broken lines in the drawings form no part of the claimed design.

See application file for complete search history.

(56) **References Cited**

U.S. PATENT DOCUMENTS

D393,755 S * 4/1998 Nemeth, Jr. D6/366
D544,720 S * 6/2007 Berbegal Perez D6/366

1 Claim, 7 Drawing Sheets

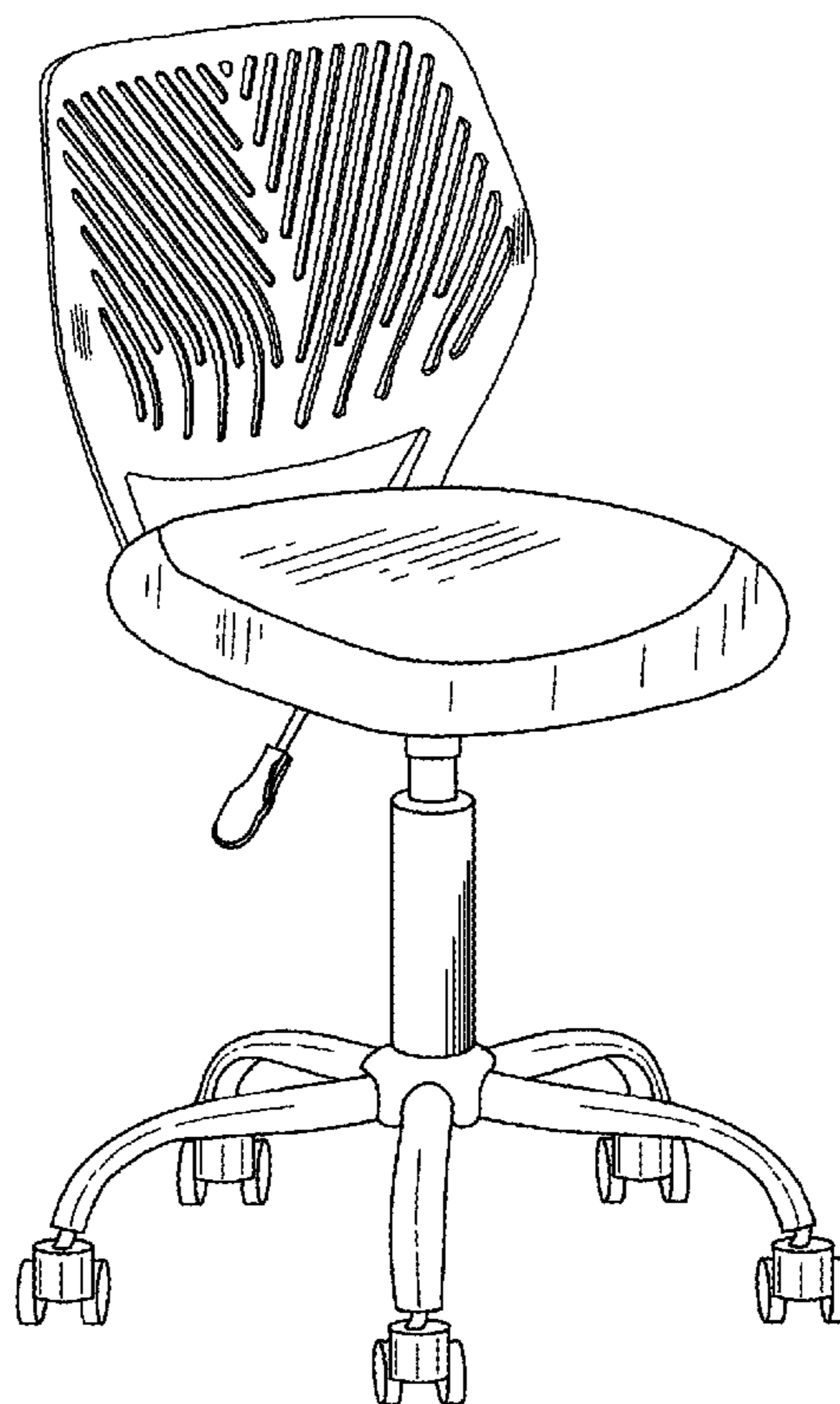


Fig. 1

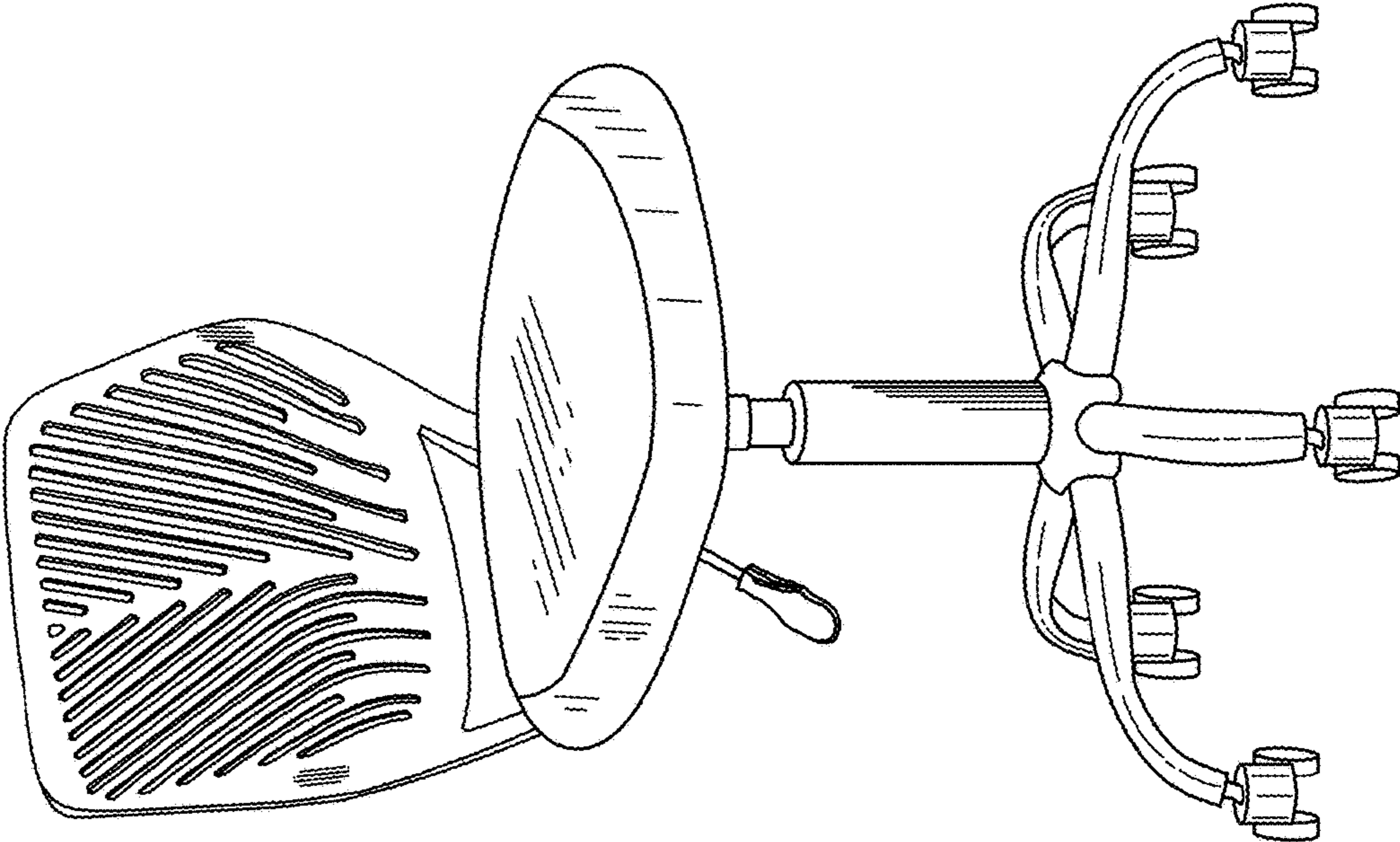


Fig. 2

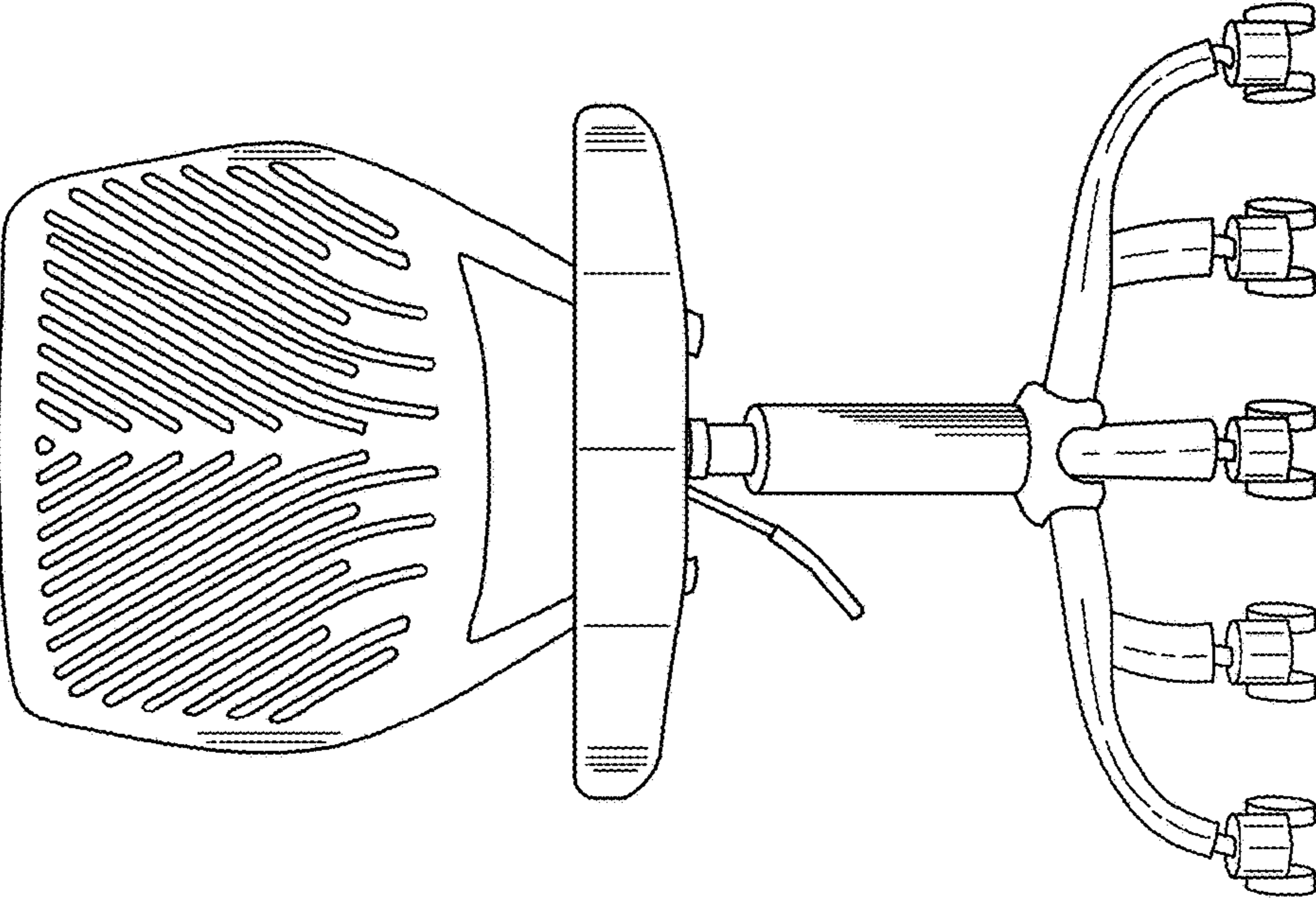


Fig. 3

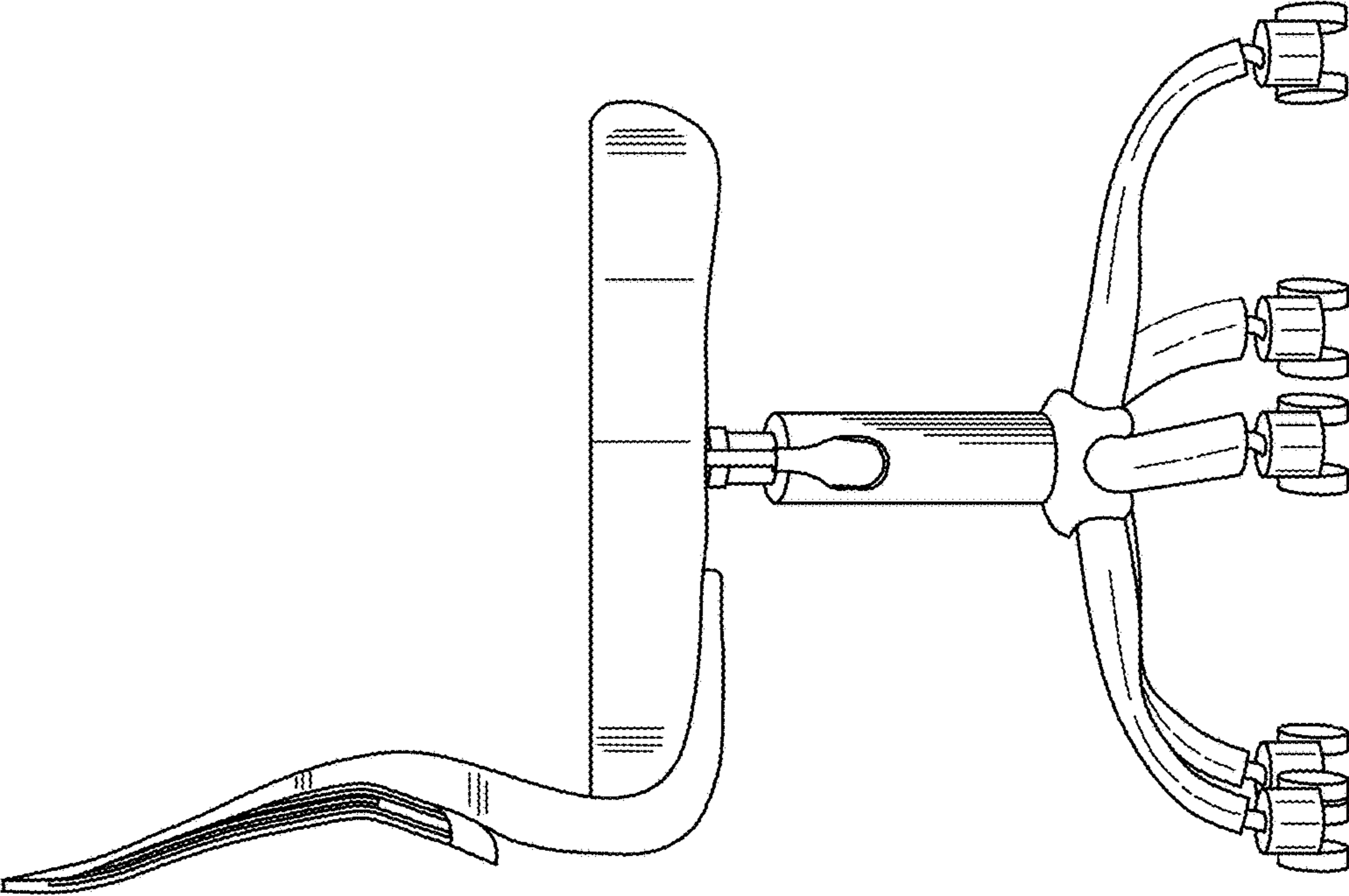


Fig. 4

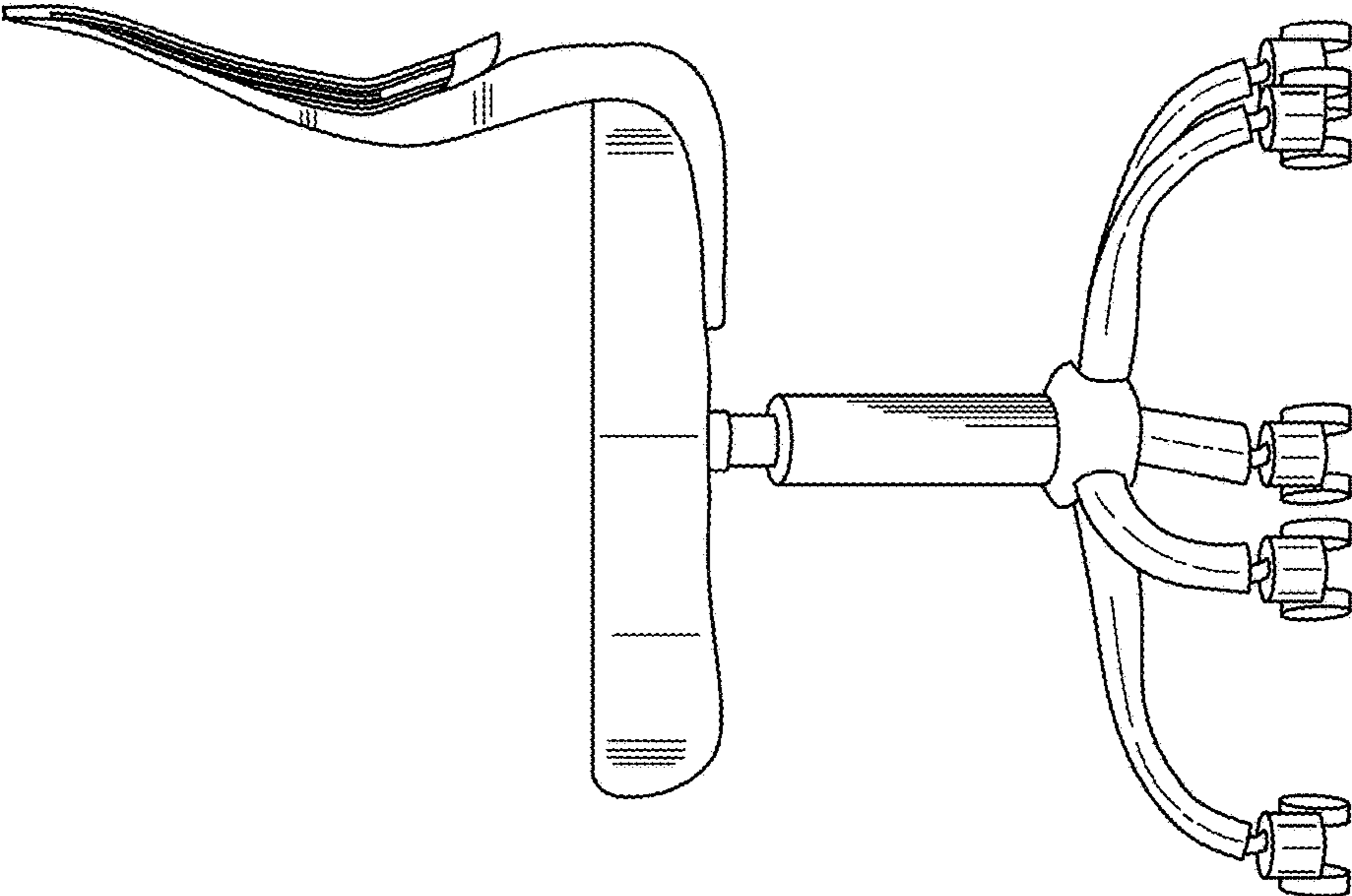


Fig. 5

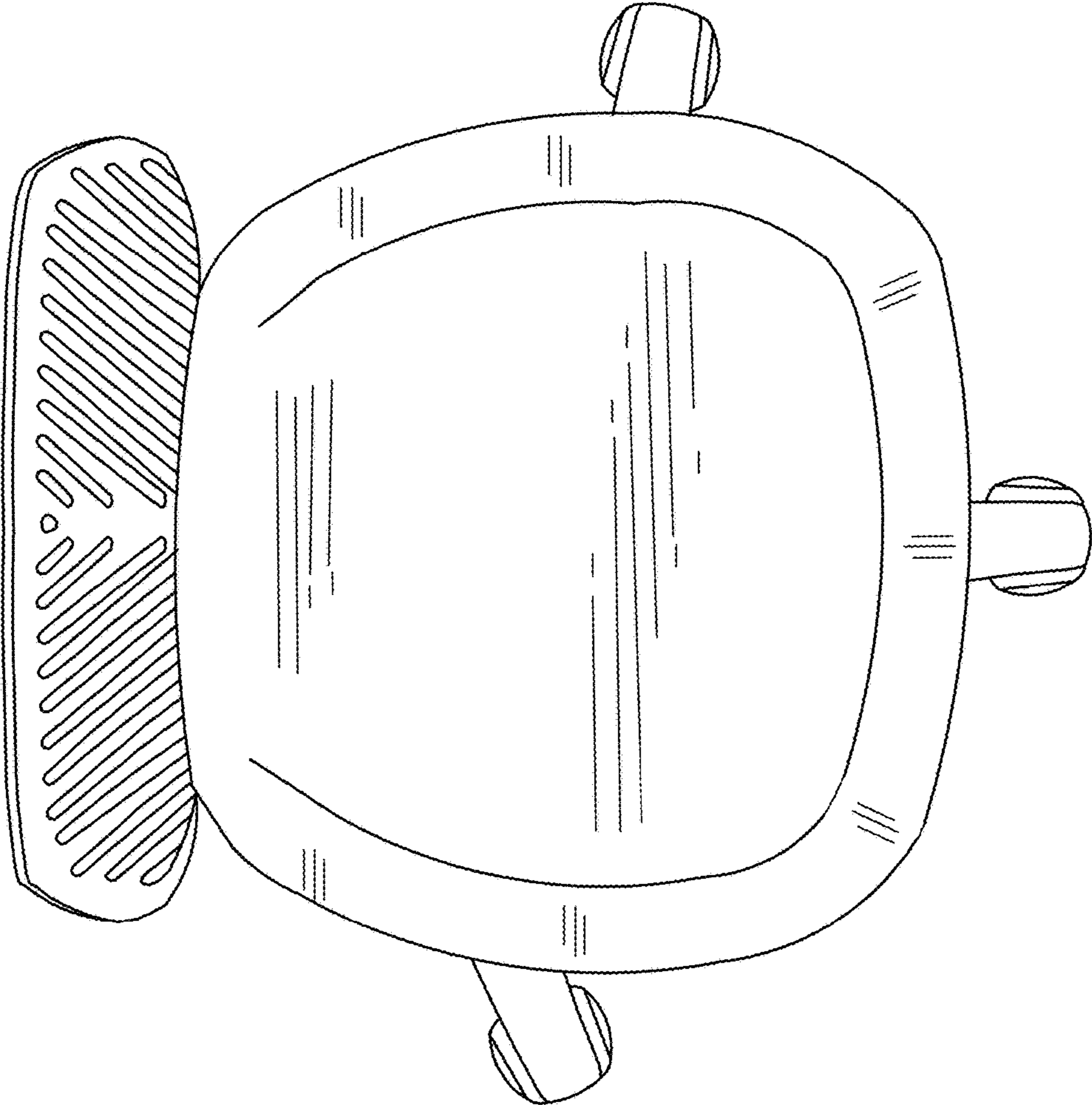


Fig. 6

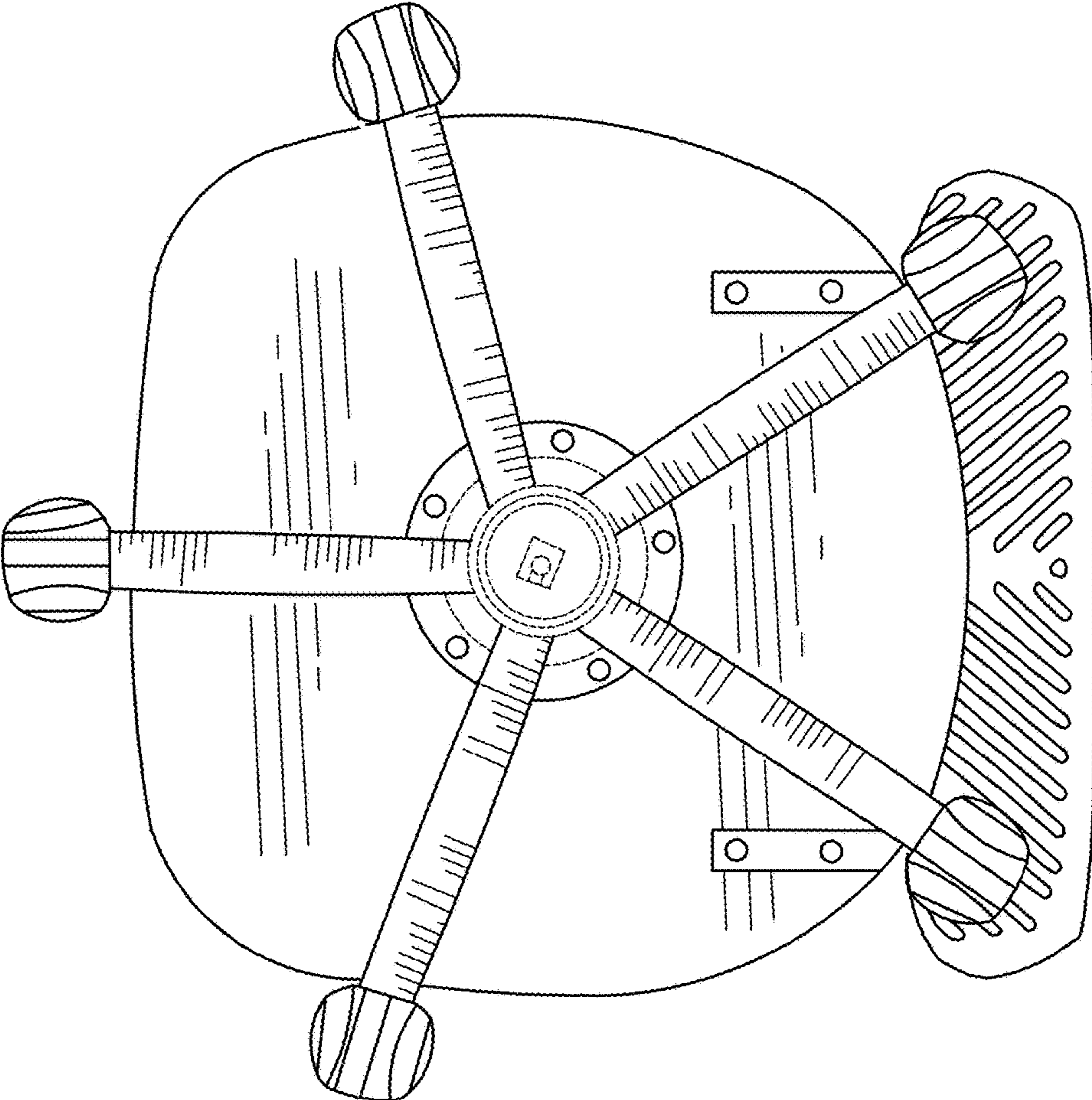


Fig. 7

