



US00D823017S

(12) **United States Design Patent** (10) **Patent No.:** **US D823,017 S**  
**Li** (45) **Date of Patent:** **\*\* Jul. 17, 2018**

(54) **CHAIR** D393,755 S \* 4/1998 Nemeth, Jr. .... D6/366  
D555,924 S \* 11/2007 Igarashi ..... D6/366  
(71) Applicant: **Homy Casa Limited**, GuangZhou (CN) D587,915 S \* 3/2009 Igarashi ..... D6/366  
D731,833 S \* 6/2015 Fifield ..... D6/716.4  
(72) Inventor: **YueHai Li**, Guangzhou (CN) D741,099 S \* 10/2015 Igarashi ..... D6/716.4  
9,332,851 B2 \* 5/2016 Machael ..... A47C 7/44

(73) Assignee: **HOMY CASA LIMITED**, Guangzhou (CN) \* cited by examiner

(\*\*) Term: **15 Years** *Primary Examiner* — Mimoso De  
(74) *Attorney, Agent, or Firm* — Hauptman Ham, LLP

(21) Appl. No.: **29/611,480**

(22) Filed: **Jul. 21, 2017**

(51) **LOC (11) Cl.** ..... **06-01**

(52) **U.S. Cl.** ..... **D6/366**  
USPC .....

(58) **Field of Classification Search**  
USPC ..... D6/334-336, 364, 365, 366, 367, 374,  
D6/379, 380, 716, 716.1, 716.2, 716.3,  
D6/716.4  
CPC ..... A47C 7/004; A47C 7/006; A47C 7/022;  
A47C 7/18; A47C 7/24; A47C 7/282;  
A47C 7/285; A47C 7/40; A47C 7/44;  
A47C 7/46

See application file for complete search history.

(56) **References Cited**

**U.S. PATENT DOCUMENTS**

3,709,559 A \* 1/1973 Rowland ..... A47C 7/285  
297/447.3  
3,767,261 A \* 10/1973 Rowland ..... A47C 7/282  
297/239

(57) **CLAIM**

A new, original, ornamental design for a chair, as shown.

**DESCRIPTION**

FIG. 1 is a perspective view of a chair.  
FIG. 2 is a front view thereof.  
FIG. 3 is a left side view thereof.  
FIG. 4 is a right side view thereof.  
FIG. 5 is a top view thereof.  
FIG. 6 is a bottom view thereof; and,  
FIG. 7 is a back view thereof.  
The broken lines in the drawings form no part of the claimed design.

**1 Claim, 7 Drawing Sheets**

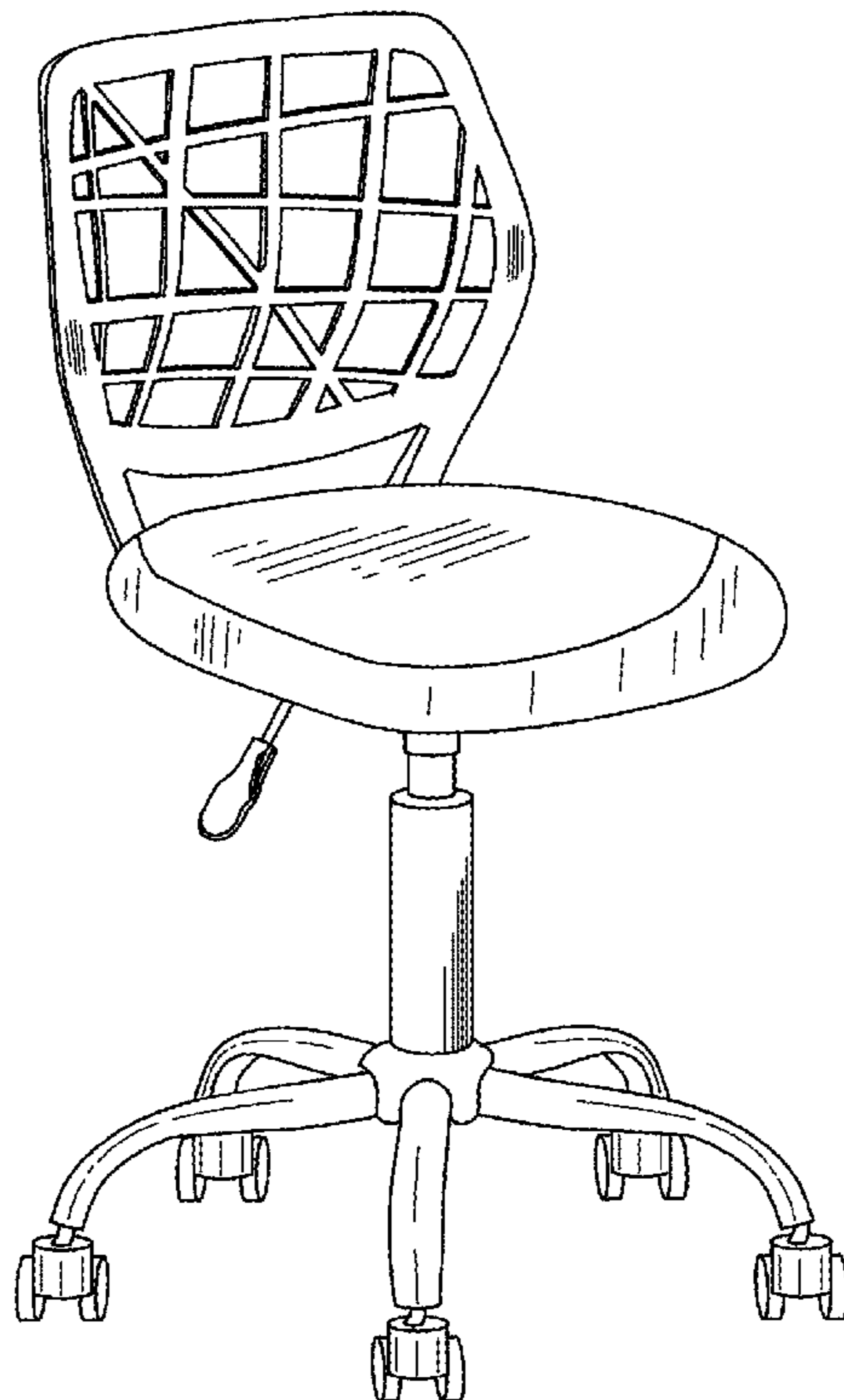


Fig. 1

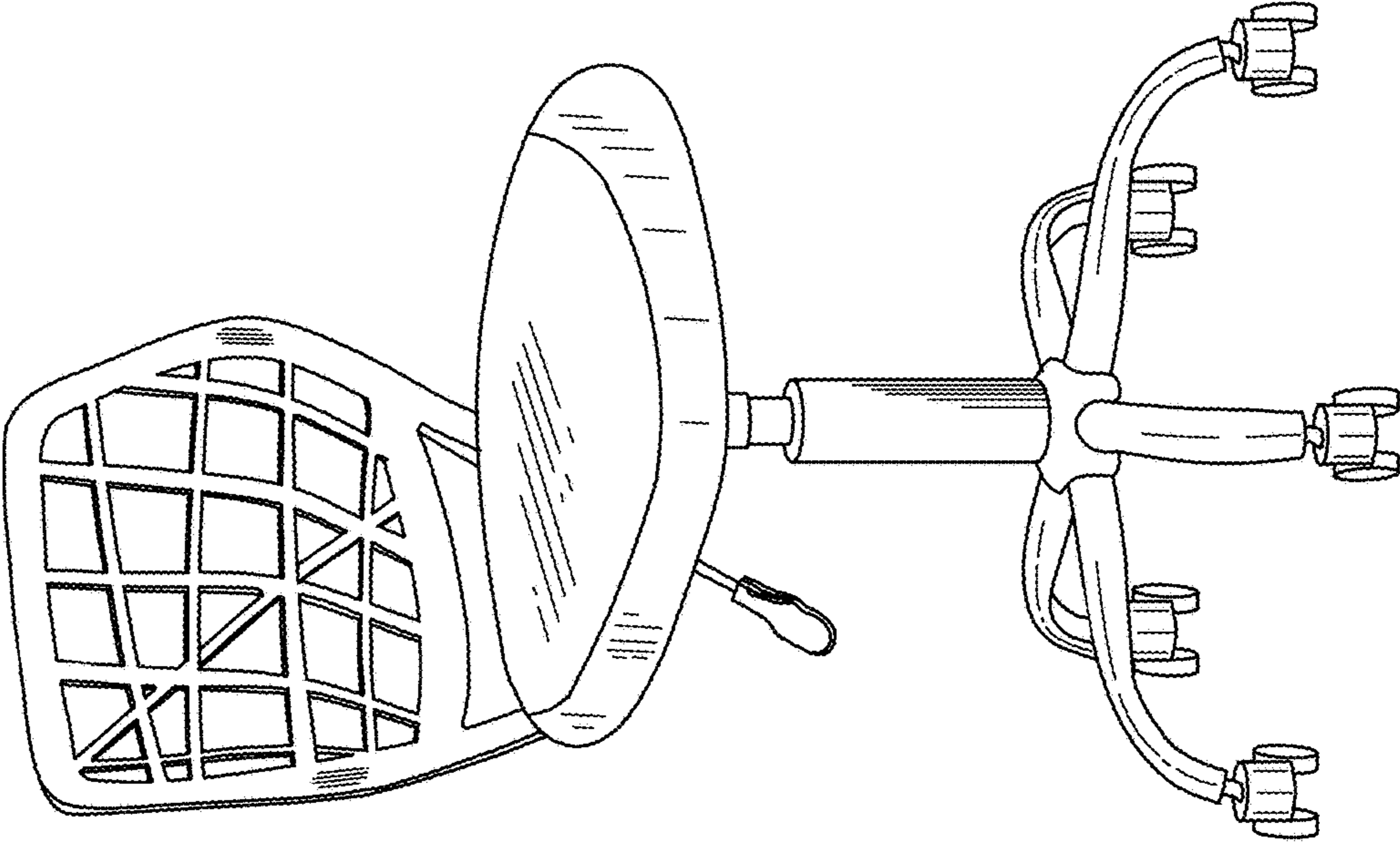


Fig. 2

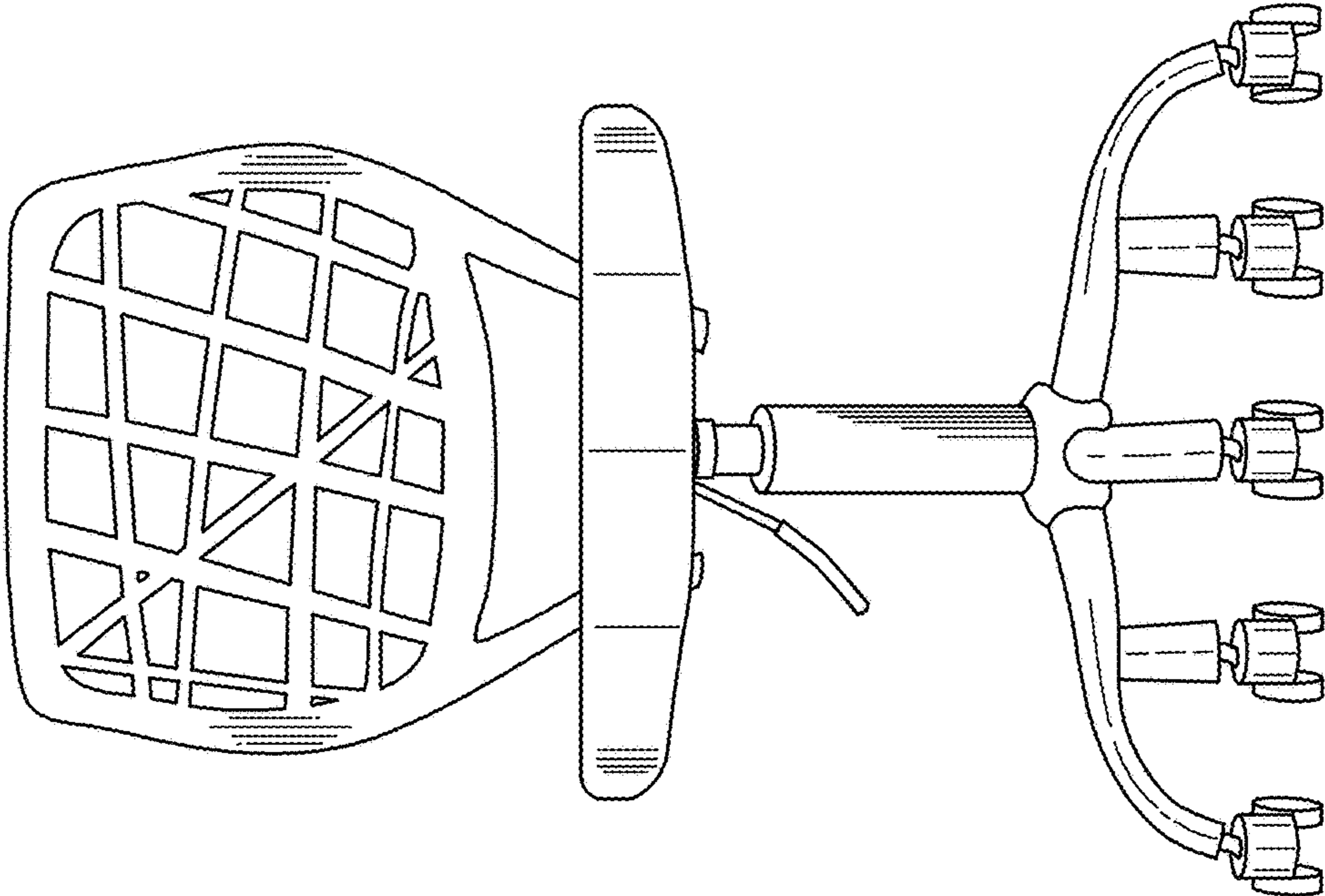


Fig. 3

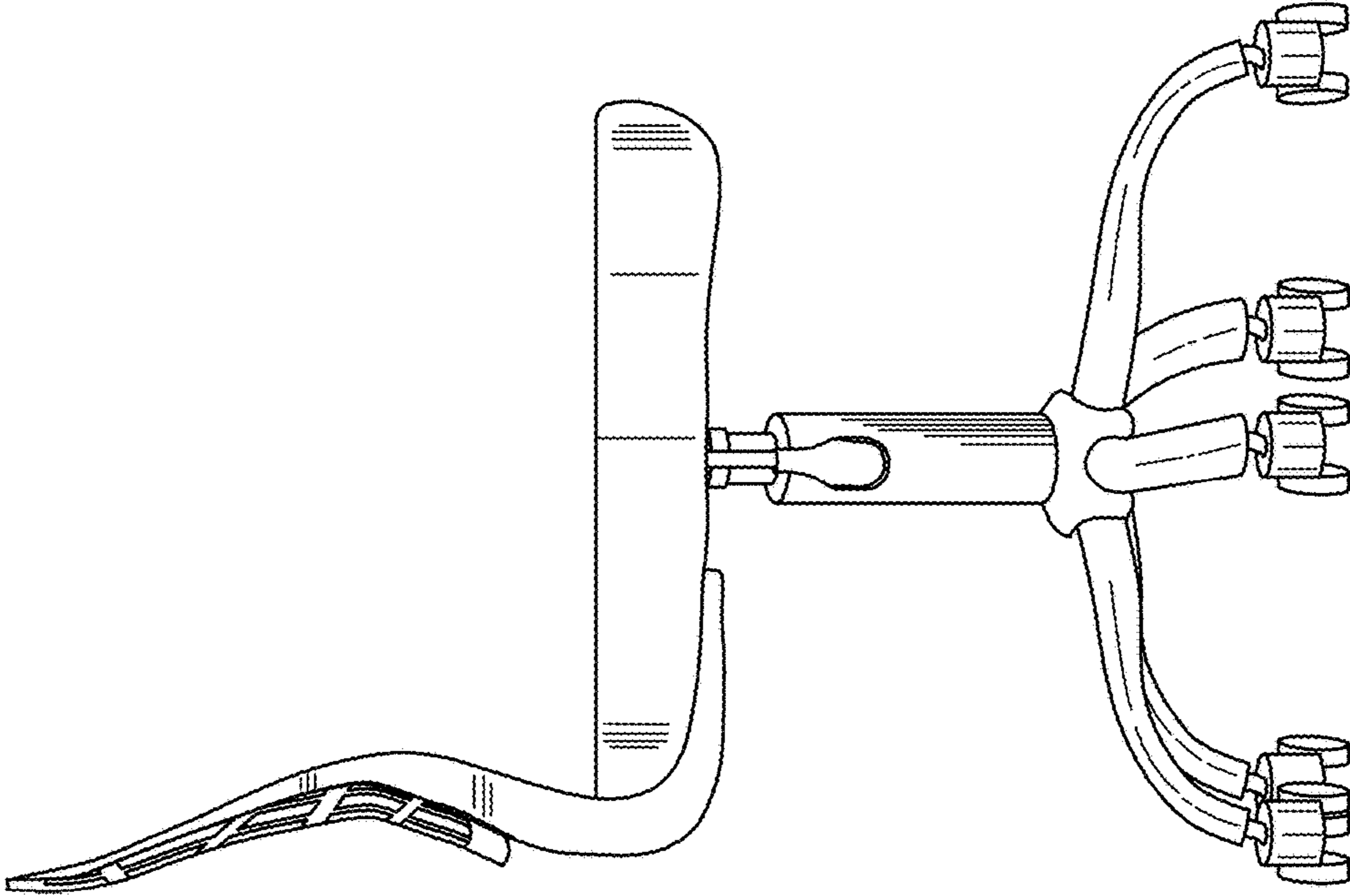


Fig. 4

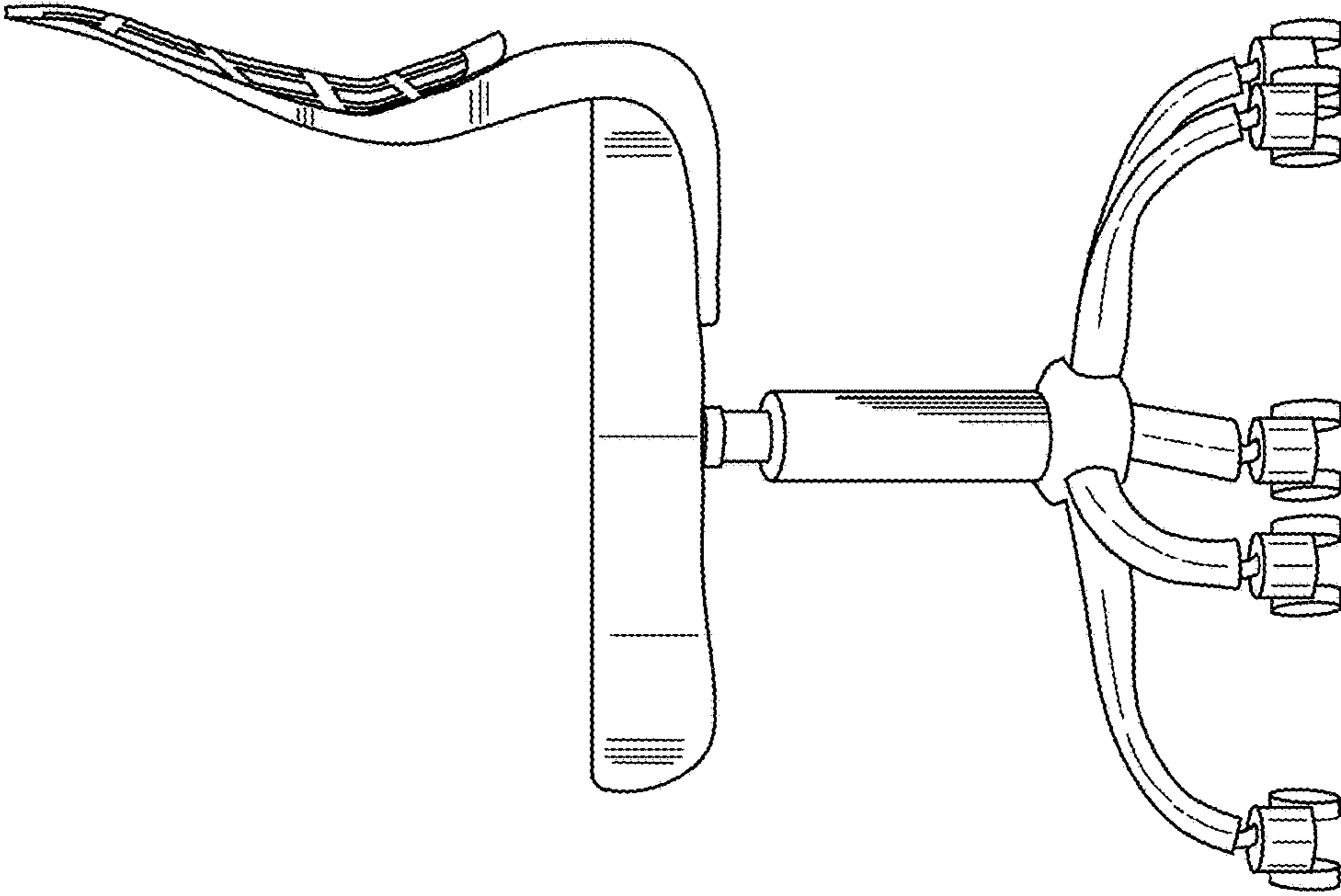


Fig. 5

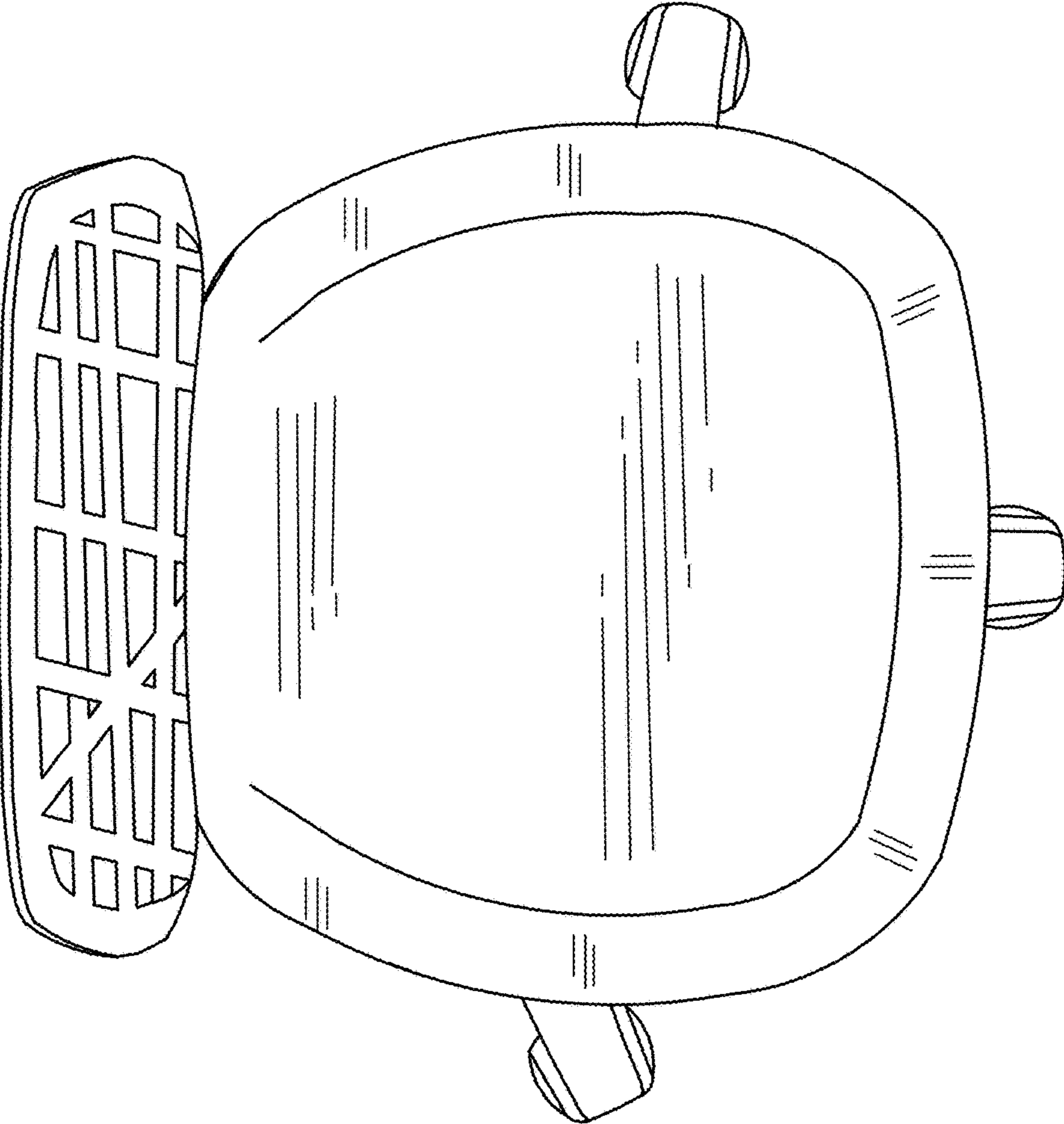


Fig. 6

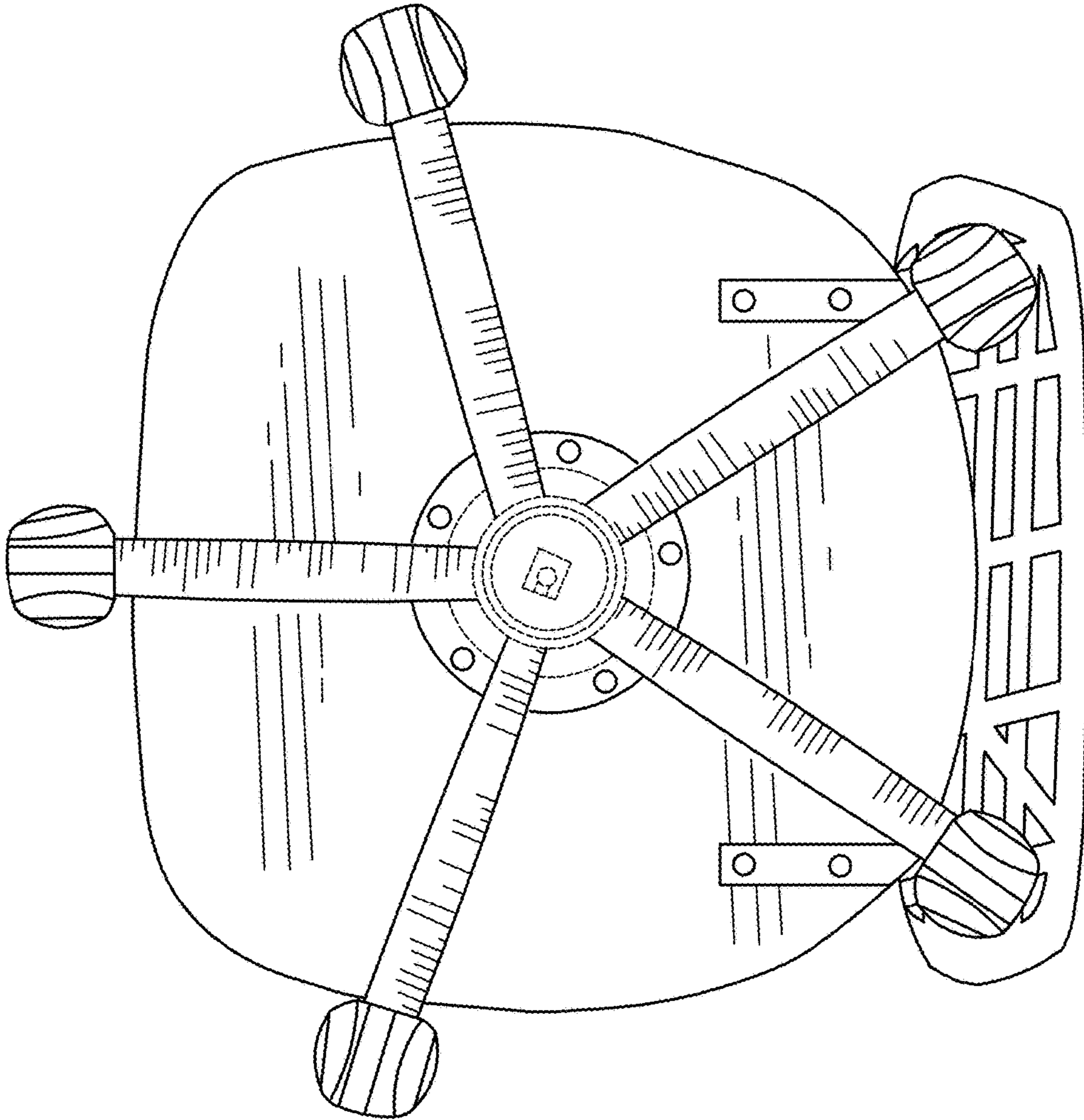


Fig. 7

