



US00D823013S

(12) **United States Design Patent**
Burden

(10) **Patent No.:** **US D823,013 S**

(45) **Date of Patent:** **** Jul. 17, 2018**

(54) **BENCH**

(71) Applicant: **Ian James Burden**, Sovereign Islands (AU)

(72) Inventor: **Ian James Burden**, Sovereign Islands (AU)

(**) Term: **15 Years**

(21) Appl. No.: **29/586,050**

(22) Filed: **Nov. 30, 2016**

(30) **Foreign Application Priority Data**

Sep. 14, 2016 (AU) 201615223

(51) **LOC (11) Cl.** **06-01**

(52) **U.S. Cl.**
USPC **D6/349**; D6/370; D6/371; D6/381;
D6/691.1

(58) **Field of Classification Search**

USPC D6/274, 334, 349-353, 360, 364-367,
D6/371-374, 403-405, 596, 691-691.9,
D6/692-692.6, 708.21, 716, 370, 381
CPC A47B 7/00; A47B 7/02; A47B 9/00; A47B
13/02; A47B 23/00; A47B 39/00; A47C
7/002; A47C 7/18; A47C 3/18; A47C
3/20; A47C 9/002; A47C 9/007; A47C
9/02; A47C 11/00

See application file for complete search history.

(56) **References Cited**

U.S. PATENT DOCUMENTS

D244,076 S * 4/1977 Saltz D6/691.1
D357,364 S * 4/1995 Dionne D6/335
D369,692 S * 5/1996 Skalka D6/370
D457,334 S * 5/2002 Slear D6/355
D461,330 S * 8/2002 Wang D6/349
D465,936 S * 11/2002 Arnold D6/349

D505,559 S * 5/2005 Sun D6/349
D583,577 S * 12/2008 Wicha D6/349
D714,565 S * 10/2014 Davis D6/370
D715,568 S * 10/2014 Davis D6/370
D736,530 S * 8/2015 Cohen D6/349
D743,707 S * 11/2015 Simitian D6/349
D766,630 S * 9/2016 Akana D6/691.1
D783,324 S * 4/2017 Akana D6/691.1
D798,073 S * 9/2017 Asner D6/349

OTHER PUBLICATIONS

Gus Return Bench. [online] Published on Apr. 10, 2014. Retrieved Oct. 31, 2017 from URL:<https://centuryhouseinc.com/product/gus-return-bench/>.*

Hand Made Mid Century Modern Bench. [online] Published on May 5, 2015. Retrieved Oct. 31, 2017 from URL:<https://www.custommade.com/mid-century-modern-bench/by/heirloomcarpentry/>.*

* cited by examiner

Primary Examiner — Vy N Koenig

(74) *Attorney, Agent, or Firm* — Dykema Gossett PLLC

(57) **CLAIM**

The ornamental design for a bench, as shown and described.

DESCRIPTION

FIG. 1 is an elevational first side view of a bench showing my new and ornamental design, the opposite side view being a mirror image,

FIG. 2 is an elevational first end view thereof, the opposite end view being a mirror image,

FIG. 3 is a top plan view thereof,

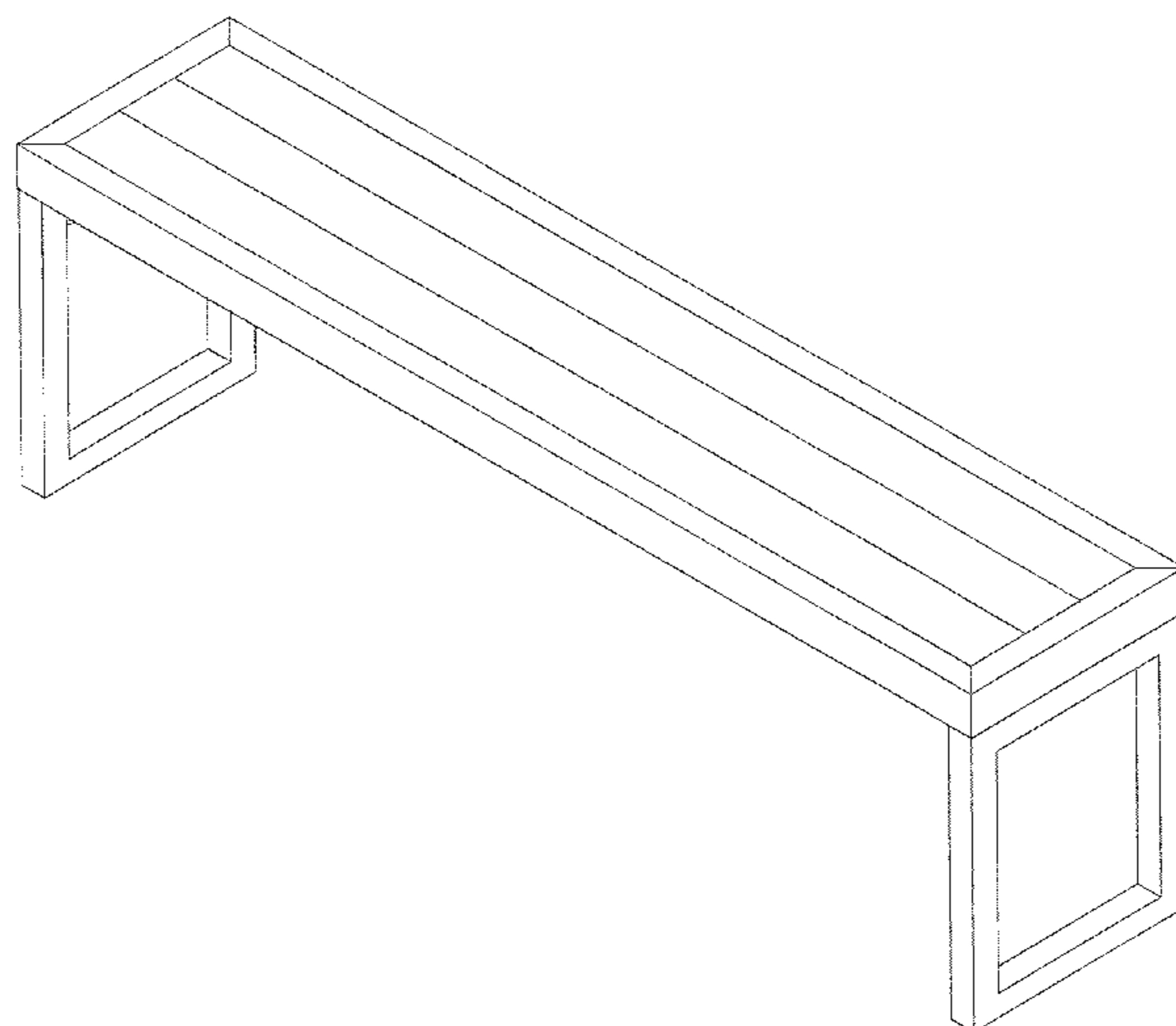
FIG. 4 is a bottom plan view thereof,

FIG. 5 is a perspective side view thereof; and,

FIG. 6 is a perspective opposite side view thereof.

The broken lines shown in the drawings depict portions of the bench which form no part of the claimed design.

1 Claim, 6 Drawing Sheets



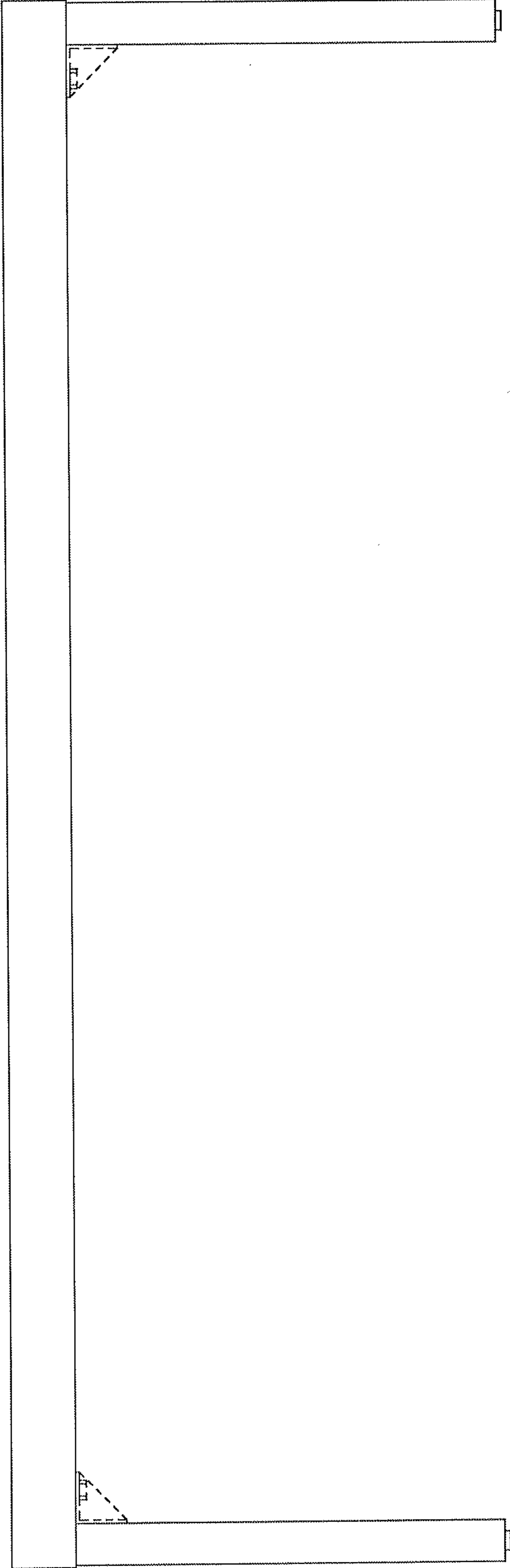


FIG. 1

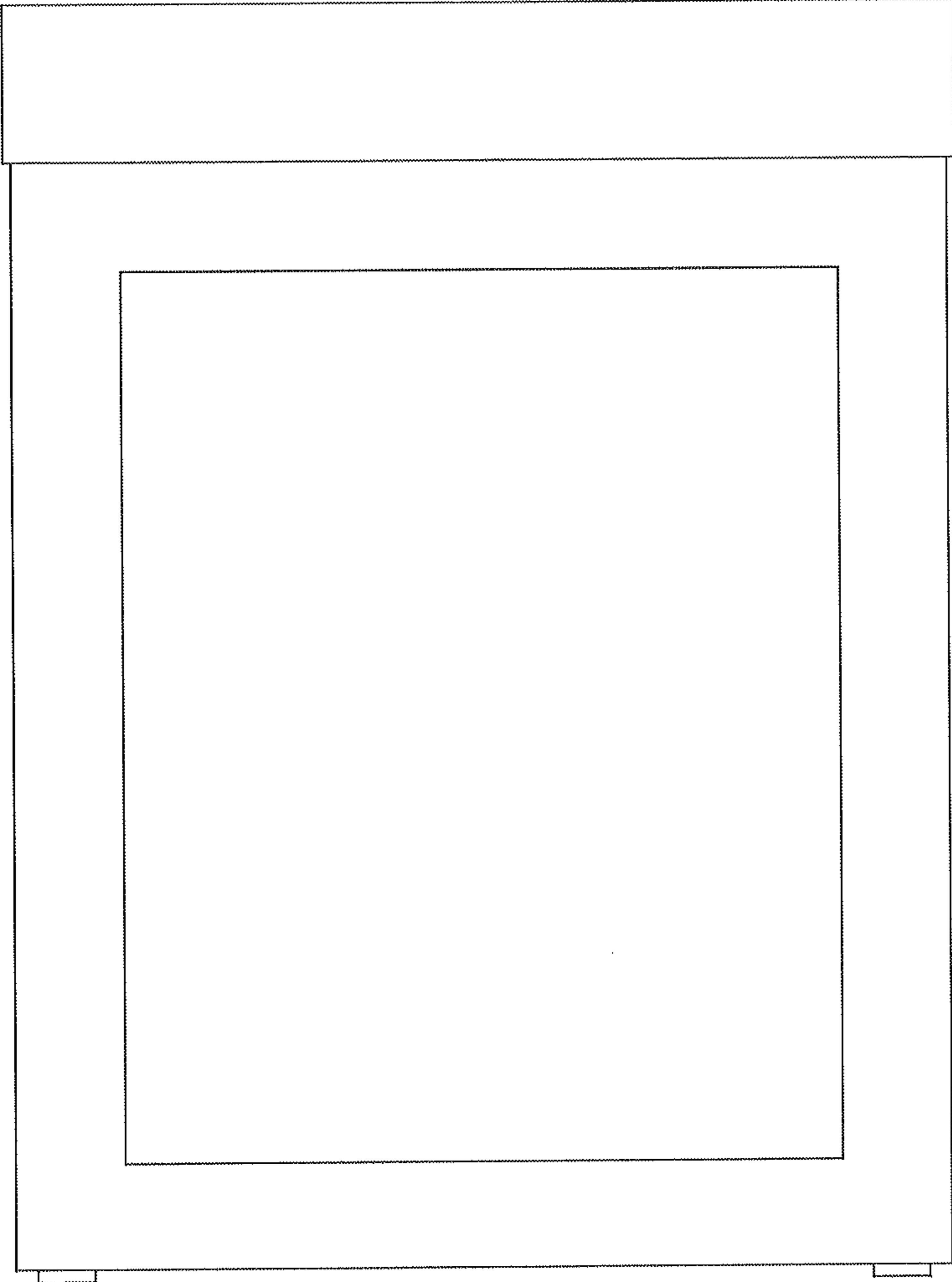


FIG. 2

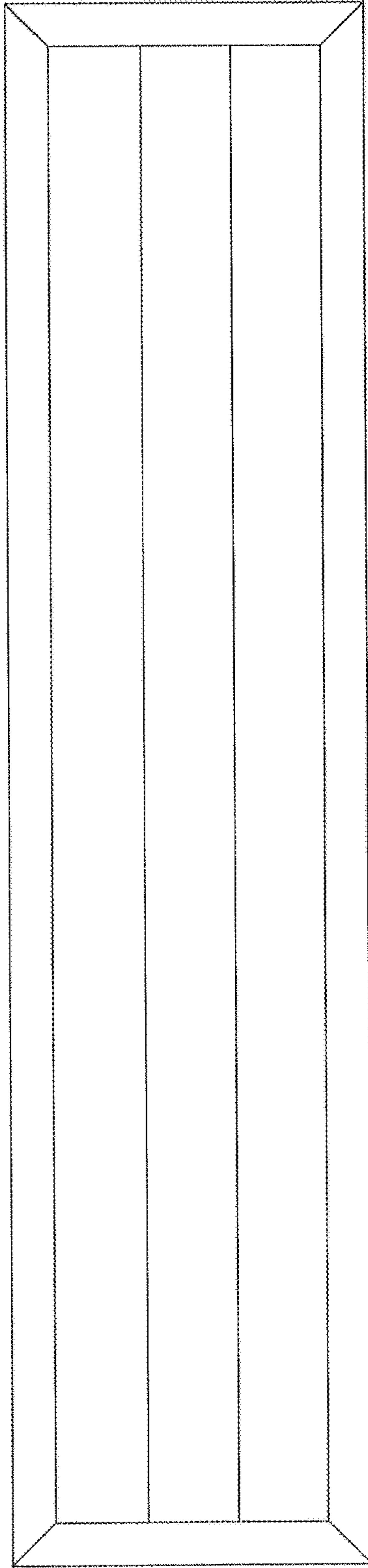


FIG. 3

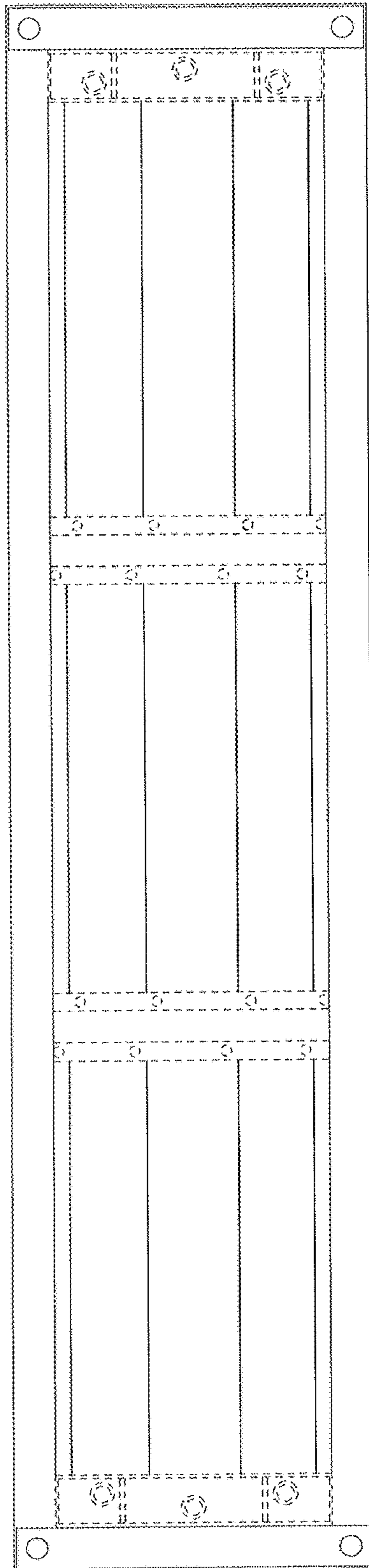


FIG. 4

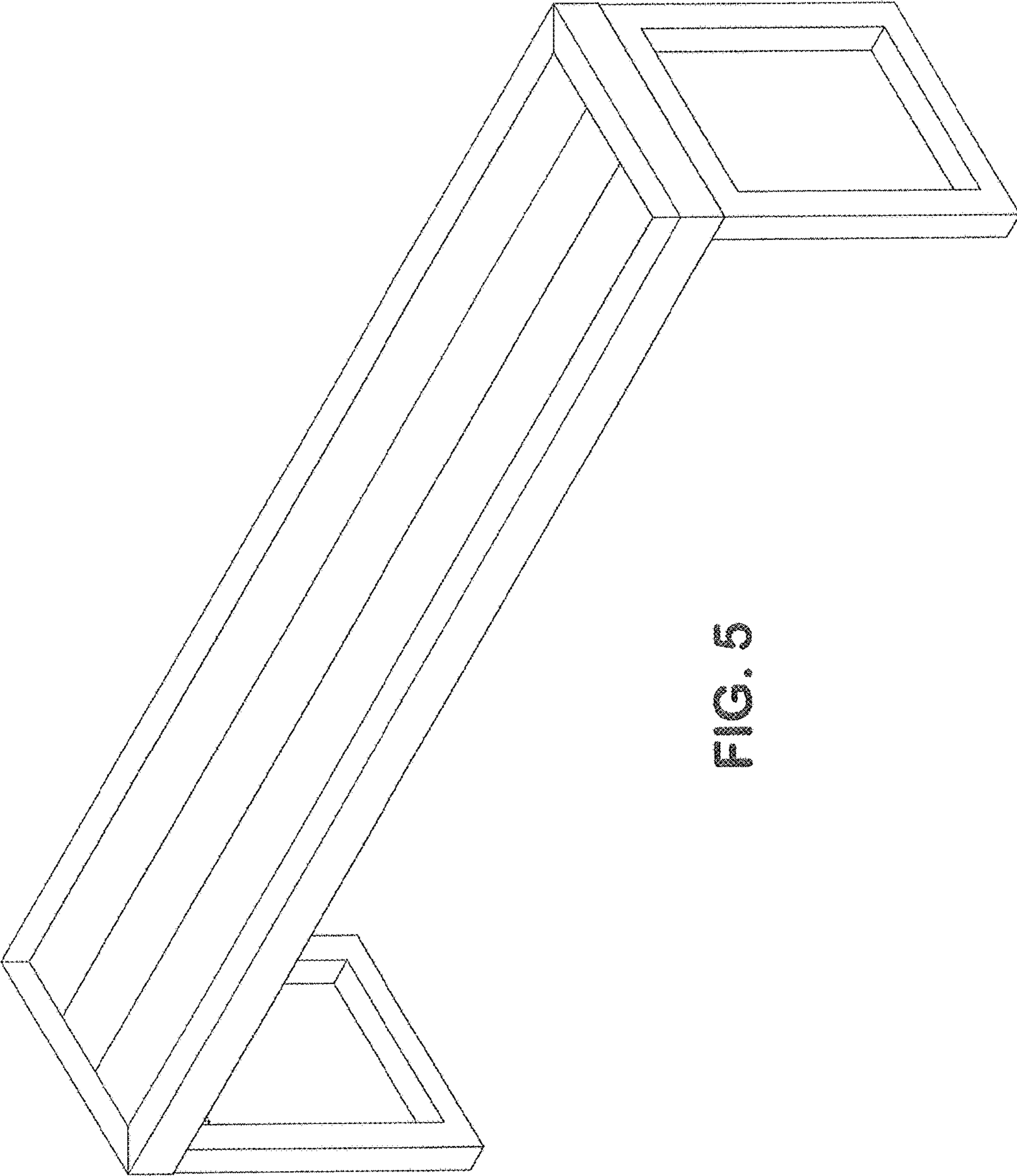


FIG. 5

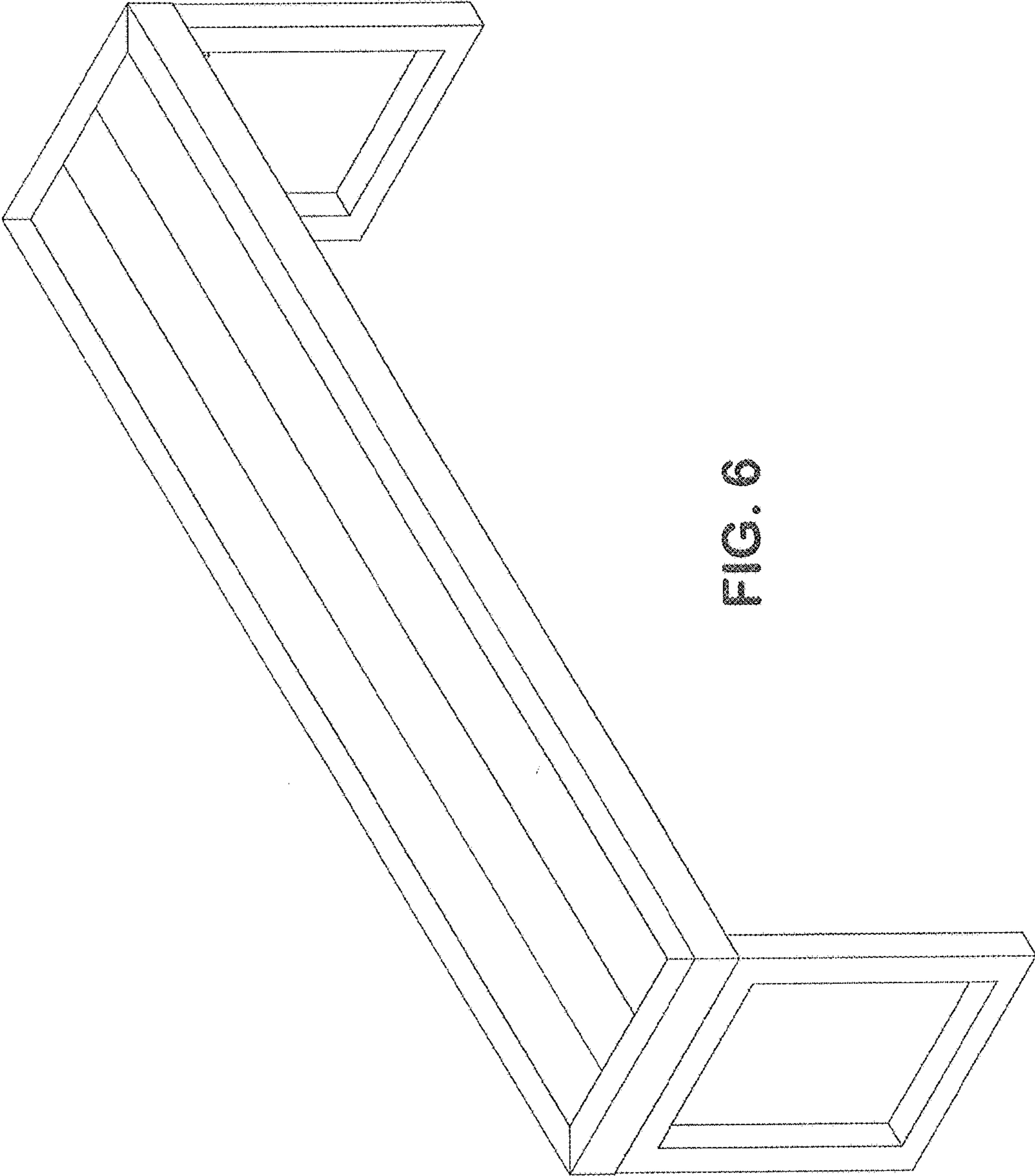


FIG. 6