



US00D823011S

(12) **United States Design Patent** (10) **Patent No.:** **US D823,011 S**  
**Kesler** (45) **Date of Patent:** **\*\* Jul. 17, 2018**

(54) **ROCKING CHAIR**  
(71) Applicant: **James Kesler**, Newberry, SC (US)  
(72) Inventor: **James Kesler**, Newberry, SC (US)  
(\*\*) Term: **15 Years**  
(21) Appl. No.: **29/579,731**  
(22) Filed: **Oct. 3, 2016**  
(51) **LOC (11) Cl.** ..... **06-01**  
(52) **U.S. Cl.**  
USPC ..... **D6/348**  
(58) **Field of Classification Search**  
USPC ..... D6/344-349, 709, 709.22, 709.2, 716,  
D6/708, 708.2, 716.8, 378, 355, 368, 352  
CPC ..... A47D 13/102; A47C 3/02; A47C 3/029;  
A47C 4/28  
See application file for complete search history.

D677,915 S \* 3/2013 Chadwick ..... D6/348  
\* cited by examiner

*Primary Examiner* — Deanna L Pratt  
(74) *Attorney, Agent, or Firm* — Dority & Manning, P.A.

(57) **CLAIM**  
The ornamental design for rocking chair, as shown and described.

**DESCRIPTION**

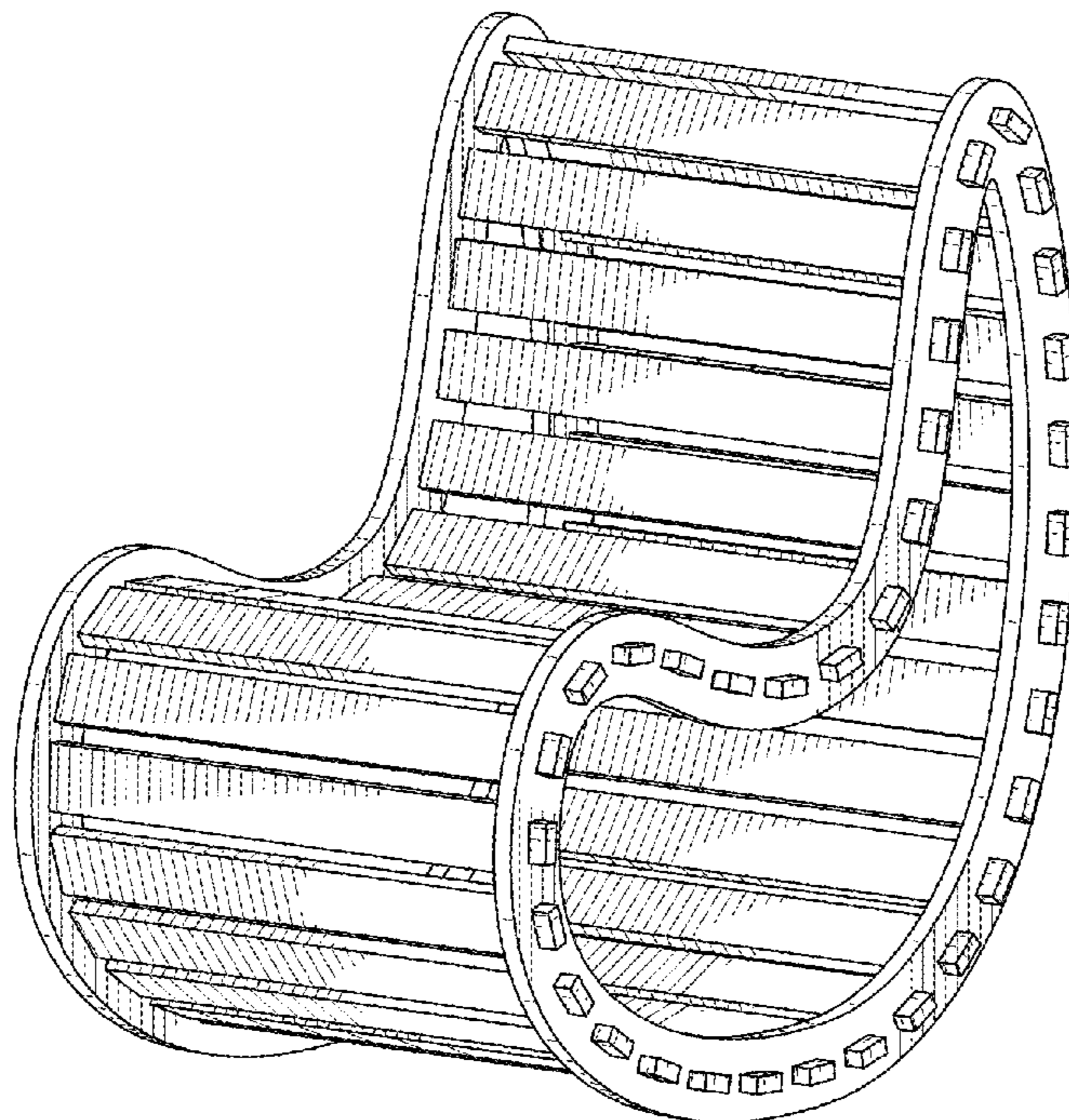
FIG. 1 is a perspective view of the rocking chair according to the present design;  
FIG. 2 is a top end view of the rocking chair illustrated in FIG. 1 showing the rocking chair according to the present design;  
FIG. 3 is a bottom end view of the rocking chair illustrated in FIG. 1 showing the rocking chair according to the present design;  
FIG. 4 is a right side view of the rocking chair illustrated in FIG. 1 showing the rocking chair according to the present design;  
FIG. 5 is a left side view of the rocking chair illustrated in FIG. 1 showing the rocking chair according to the present design;  
FIG. 6 is a front end view of the rocking chair illustrated in FIG. 1 showing the rocking chair according to the present design; and,  
FIG. 7 is a back end view of the rocking chair illustrated in FIG. 1 showing the rocking chair according to the present design.

(56) **References Cited**

U.S. PATENT DOCUMENTS

D360,665 S *	7/1995	Hatfield	.....	D21/688
D364,969 S *	12/1995	Boone	.....	D6/344
D422,800 S *	4/2000	Lau	.....	D6/348
D526,495 S *	8/2006	Albin	.....	D6/348
D545,072 S *	6/2007	Dessertine	.....	D6/348
D548,986 S *	8/2007	McCoy	.....	D6/344
D588,368 S *	3/2009	McCoy	.....	D6/344
D671,756 S *	12/2012	Kweton	.....	D6/348

**1 Claim, 7 Drawing Sheets**



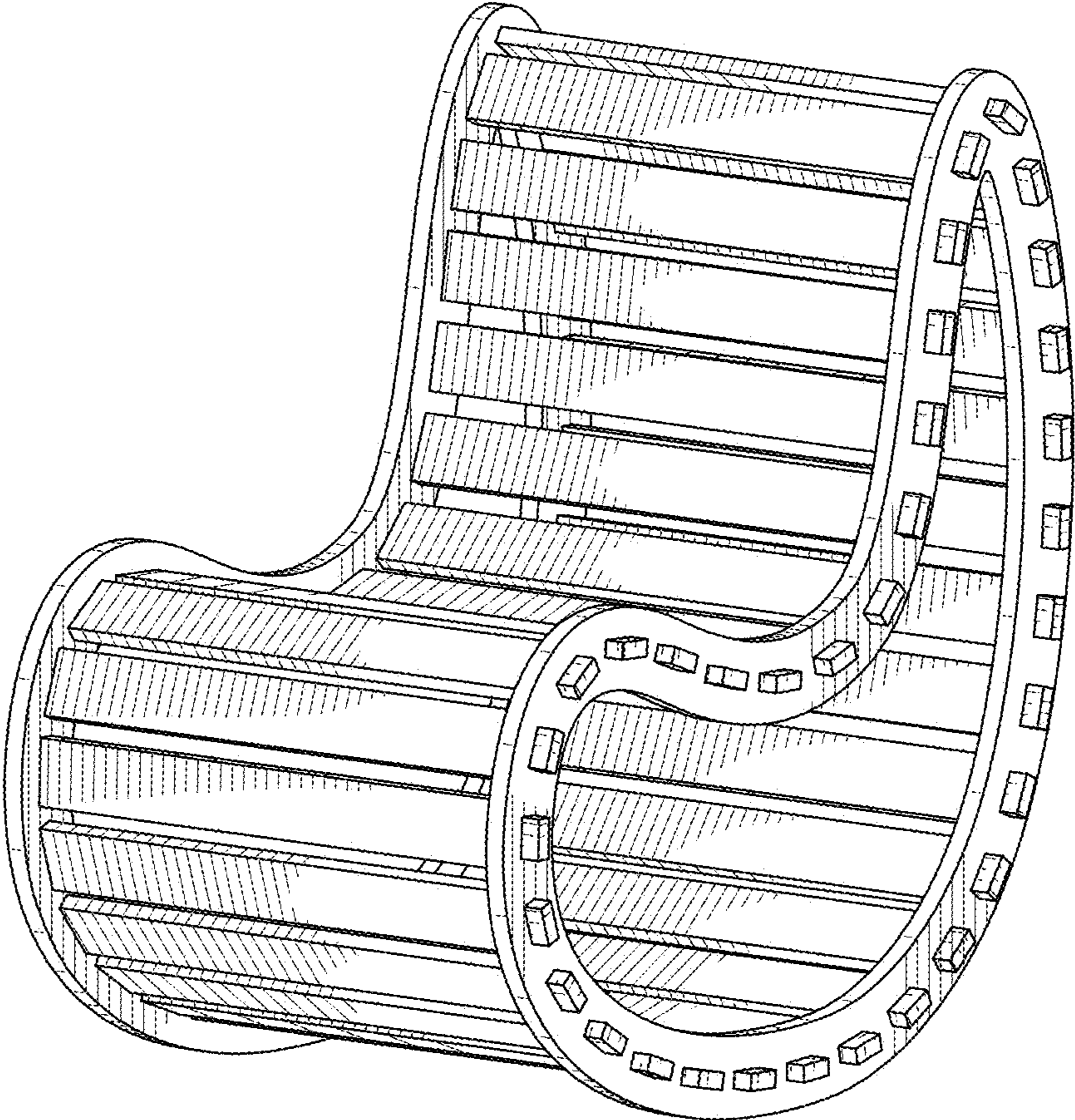


FIG. 1

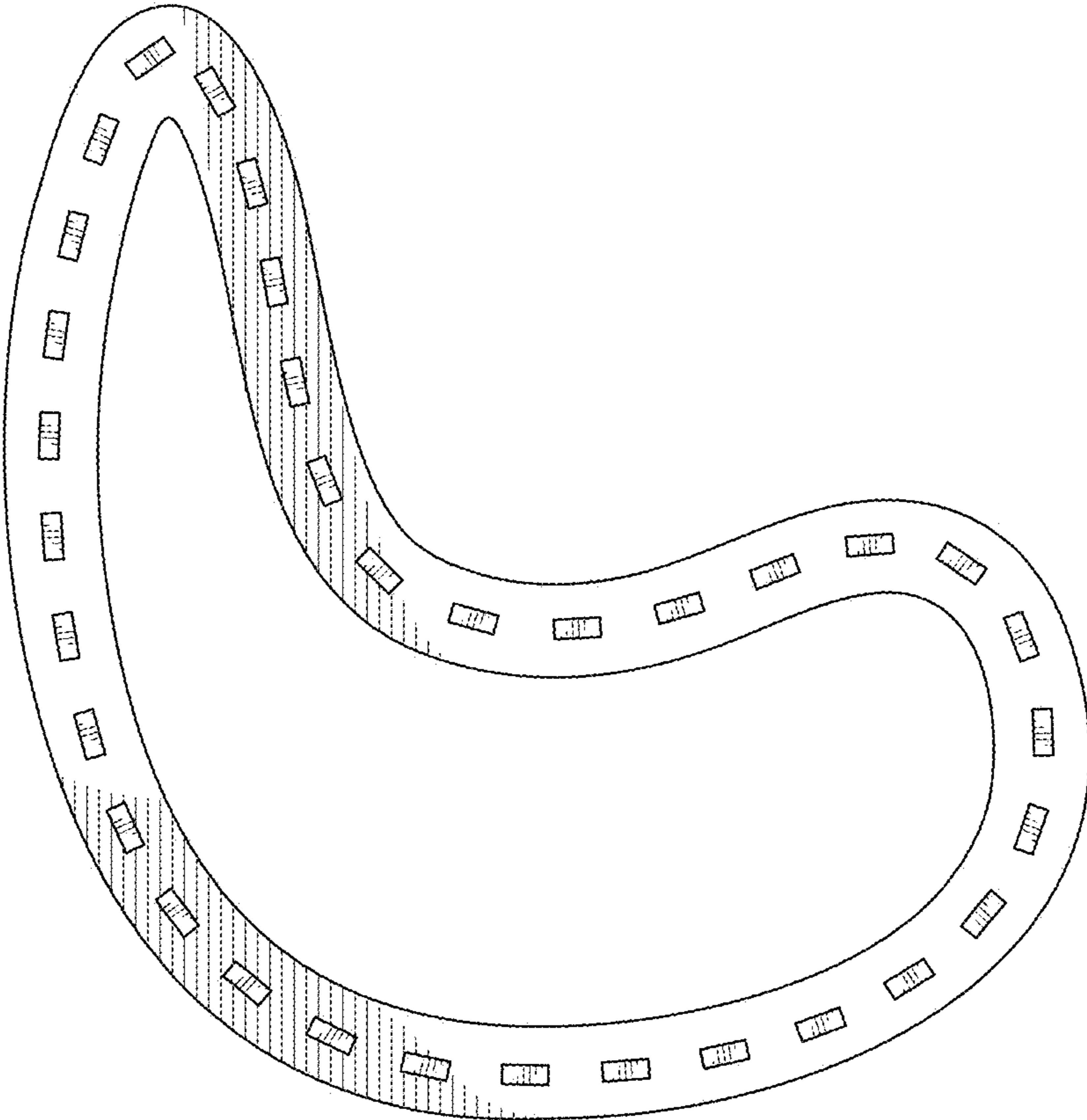


FIG. 2

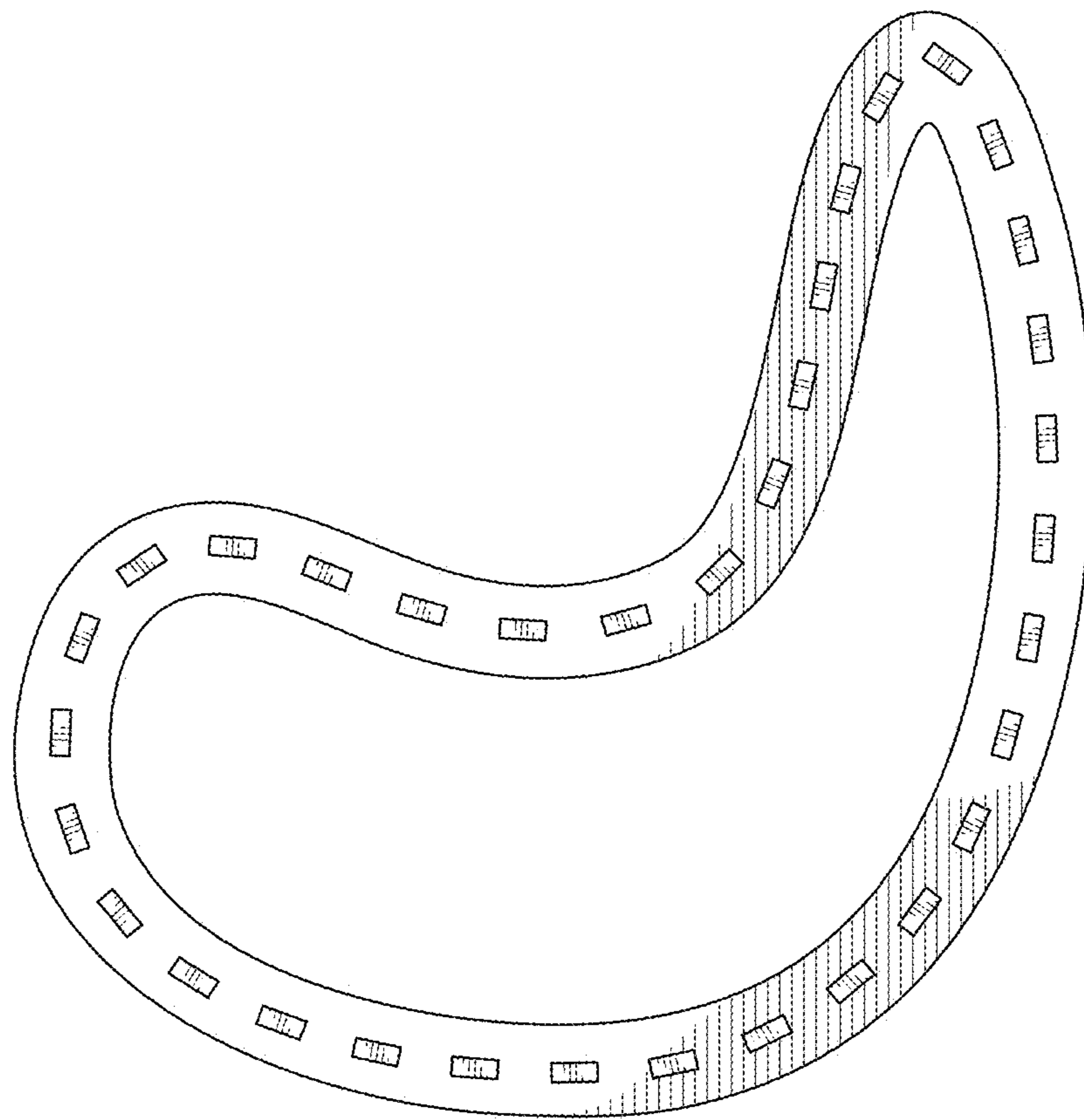


FIG. 3

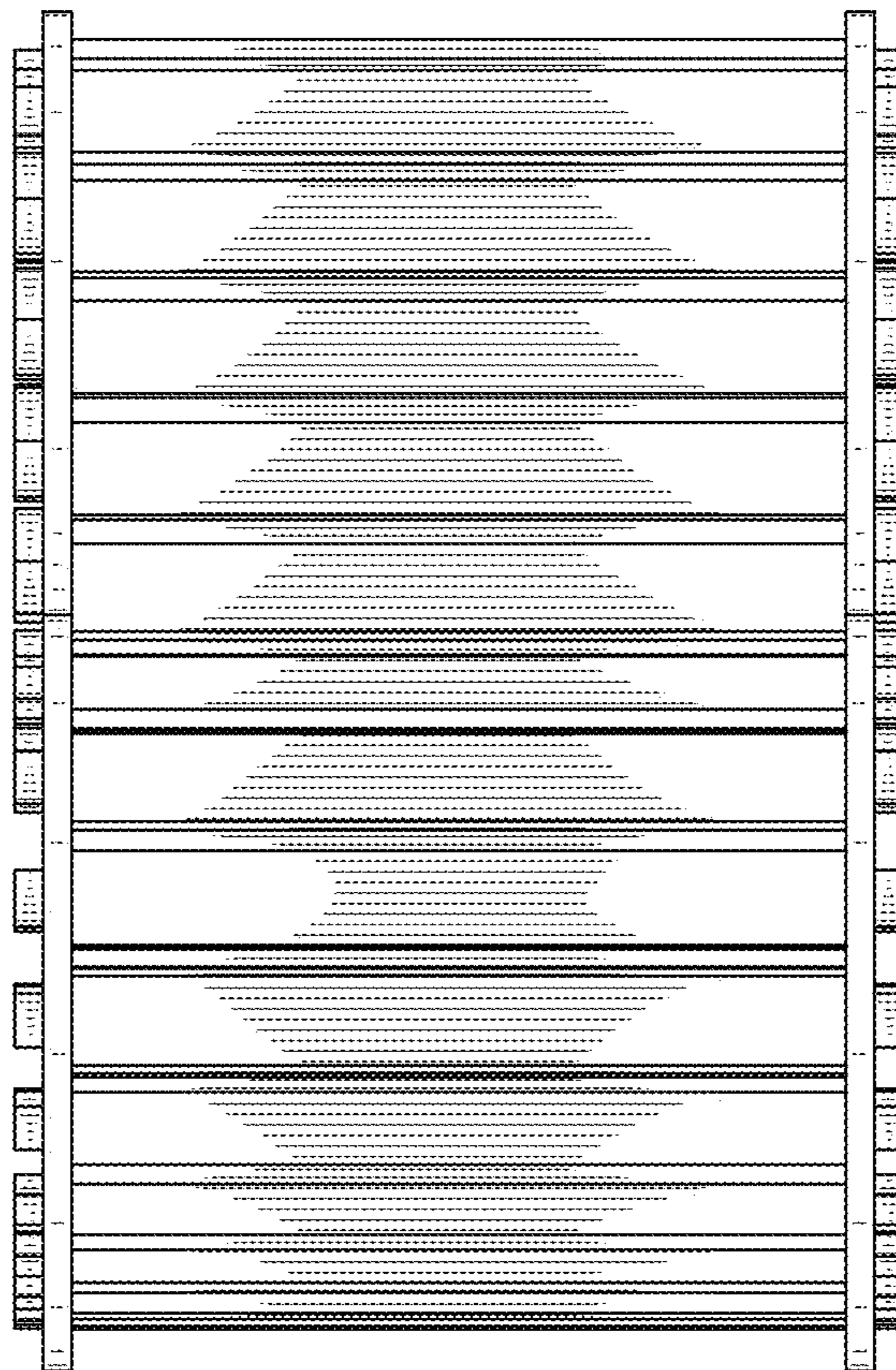


FIG. 4

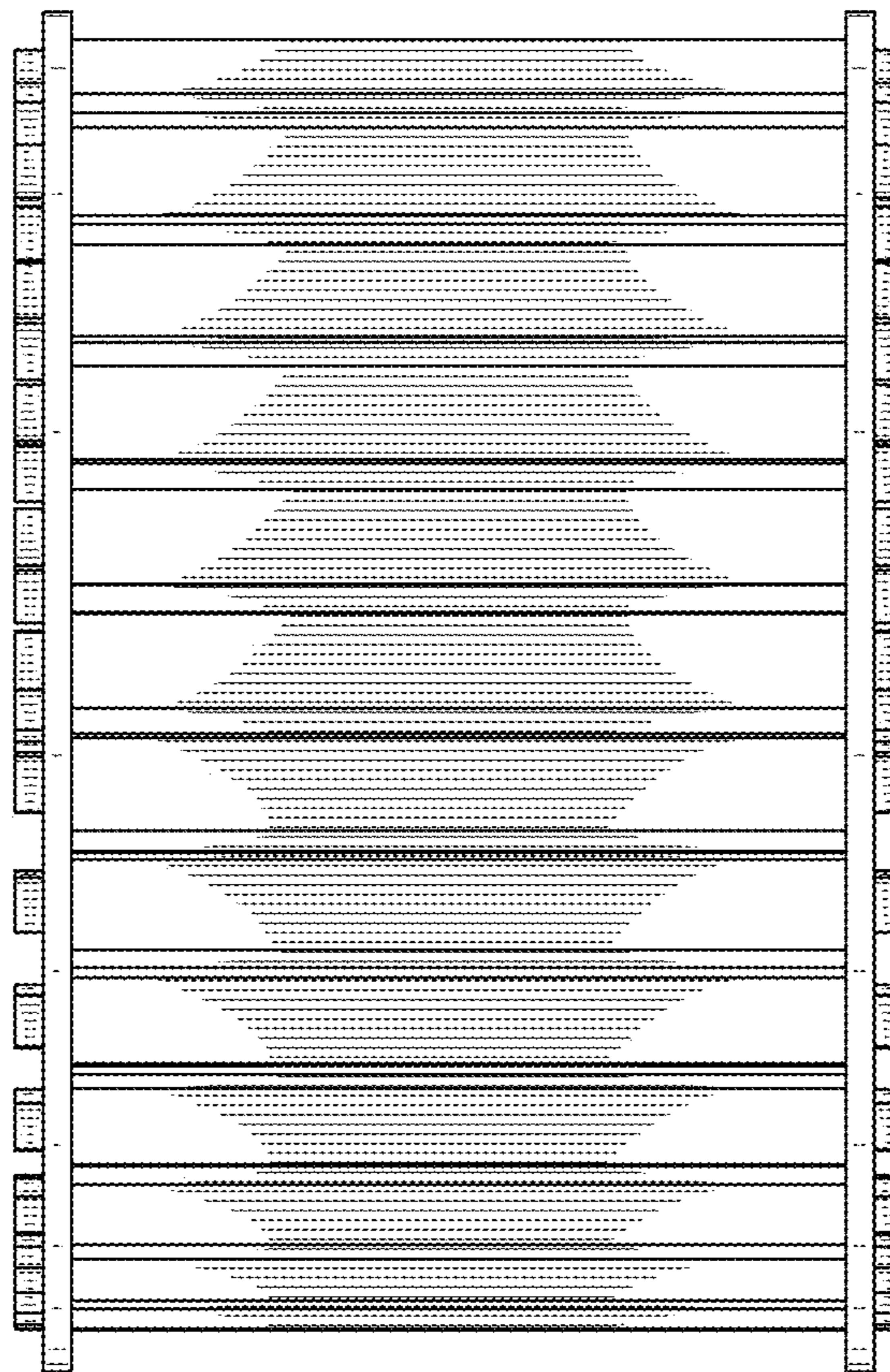


FIG. 5

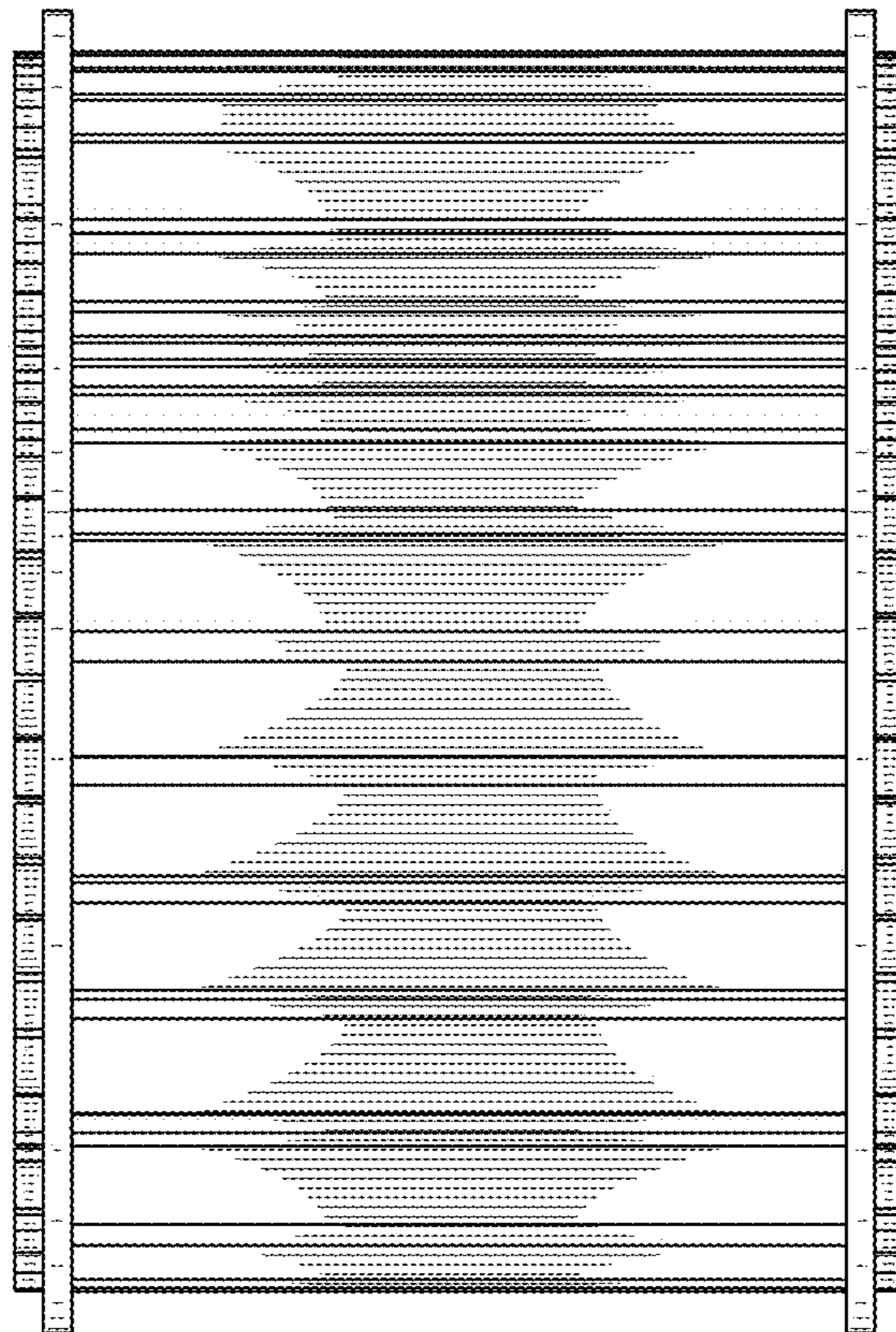


FIG. 6

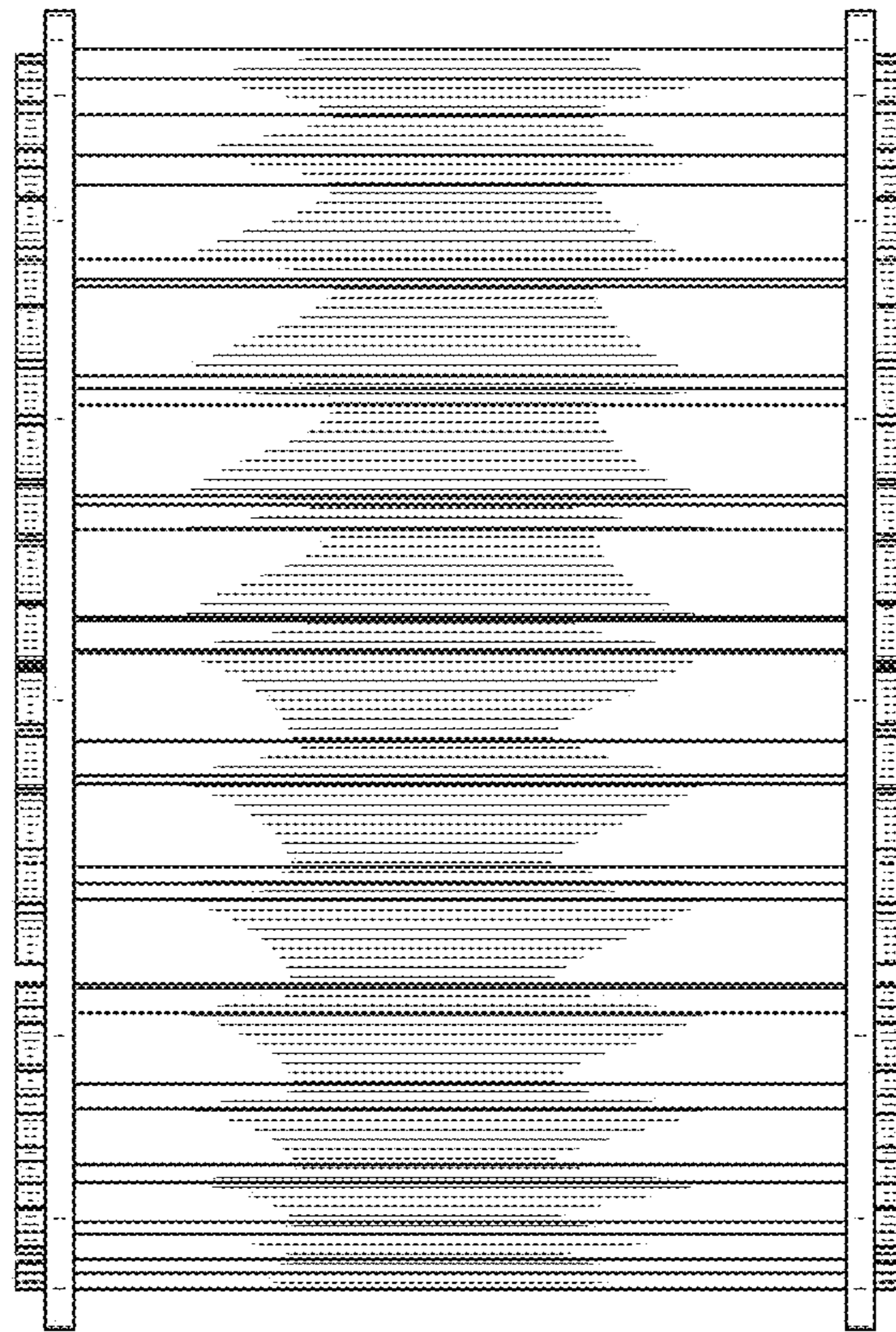


FIG. 7