



US00D823010S

(12) **United States Design Patent**
Razon

(10) **Patent No.:** **US D823,010 S**

(45) **Date of Patent:** **** Jul. 17, 2018**

(54) **KNEELING SUPPORT SEAT**

(71) Applicant: **Eli Razon**, Maple Glen, PA (US)

(72) Inventor: **Eli Razon**, Maple Glen, PA (US)

(**) Term: **15 Years**

(21) Appl. No.: **29/607,947**

(22) Filed: **Jun. 18, 2017**

(51) **LOC (11) Cl.** **06-06**

(52) **U.S. Cl.**

USPC **D6/330**

(58) **Field of Classification Search**

USPC D6/330, 334-335, 349-350, 364, 376,
D6/685, 691, 707.19, 709, 718.11, 716,
D6/365, 367-370, 696.1; 297/16.1, 135,
297/158.3, 175, 187, 423.16, 461, 462,
297/76, 423.25, 423.34, 423.36, 451.5,
297/423.42, 440.16; 248/188, 188.1;
108/150, 161, 157.17, 144.11, 144.18,
108/144.19

CPC A47C 9/00; A47C 9/08; A47C 9/10; A47C
1/00; A47C 1/02; A47C 1/04; A47C 1/14;
A47C 1/022; A47C 1/031; A47C 11/00;
A47C 4/00; A47C 4/22; A47B 3/10;
A47B 3/14; A47B 3/087

See application file for complete search history.

(56) **References Cited**

U.S. PATENT DOCUMENTS

3,185,423 A * 5/1965 Jones, III A47B 91/16
108/150
3,917,368 A * 11/1975 Gusdorf A47B 3/12
248/188.7

D332,712 S * 1/1993 Schaen D6/691.4
5,365,862 A * 11/1994 Peterson A47B 9/00
108/147
D378,635 S * 4/1997 Studer D6/656.15
D381,821 S * 8/1997 Miles D6/349
D418,997 S * 1/2000 Leveen D6/656.11
D454,438 S * 3/2002 Volkman A47C 9/027
D6/349
D668,464 S * 10/2012 Du D6/353
9,144,300 B2 * 9/2015 Cotey A47B 3/0815

* cited by examiner

Primary Examiner — Abraham Bahta

(57) **CLAIM**

The ornamental design for a kneeling support seat, substantially as shown and described.

DESCRIPTION

FIG. 1 is a front perspective view of a kneeling support seat in accordance with the present invention;
FIG. 2 is a front view thereof;
FIG. 3 is a right side view thereof;
FIG. 4 is a rear view thereof;
FIG. 5 is a left side view thereof;
FIG. 6 is a top view thereof;
FIG. 7 is a bottom view thereof;
FIG. 8 is a front perspective view of another embodiment of a kneeling support seat in accordance with the present invention;
FIG. 9 is a front view thereof;
FIG. 10 is a right side view thereof; and,
FIG. 11 is a left side view thereof; the other views are duplicate of the first embodiment.

1 Claim, 10 Drawing Sheets

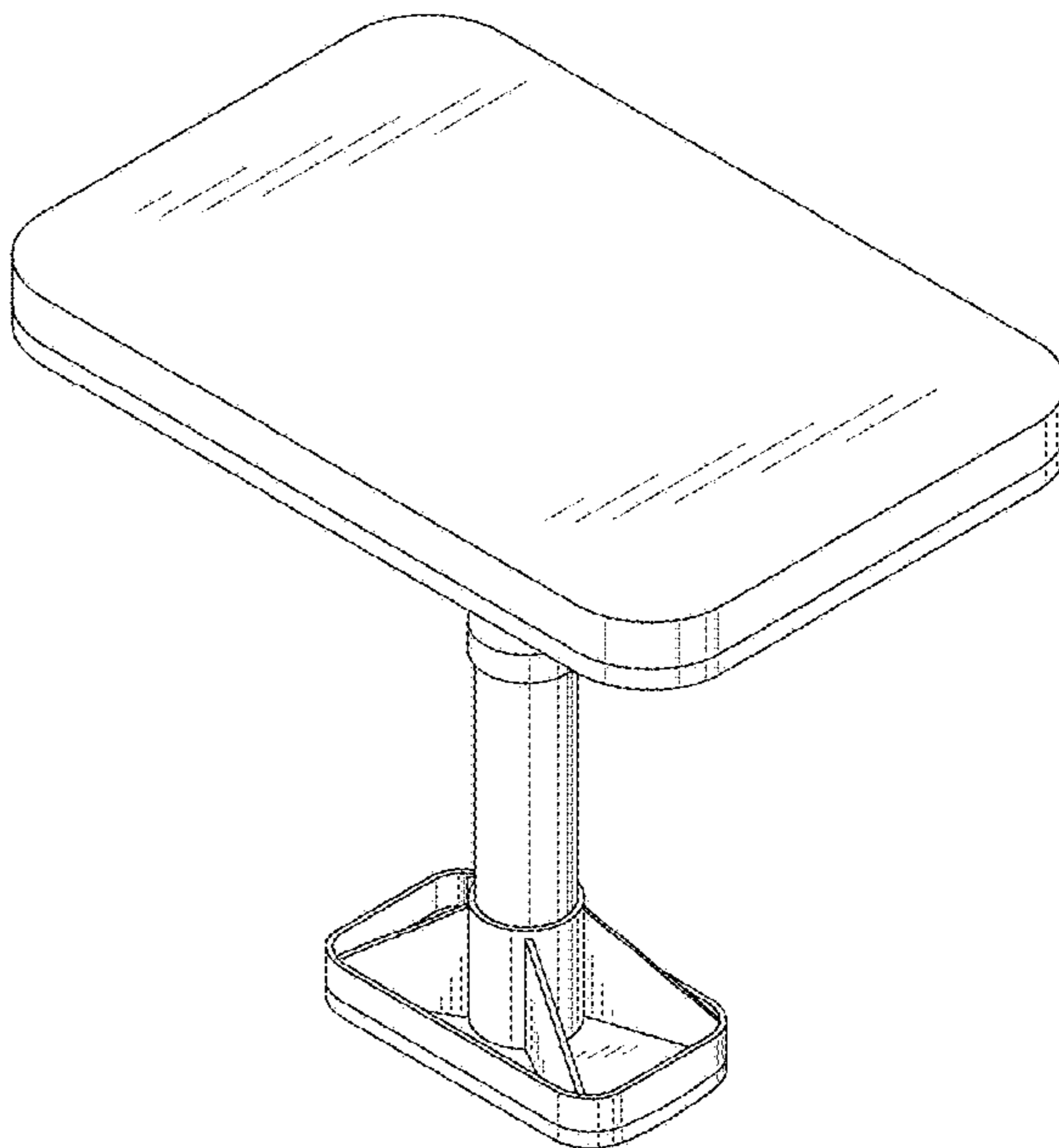
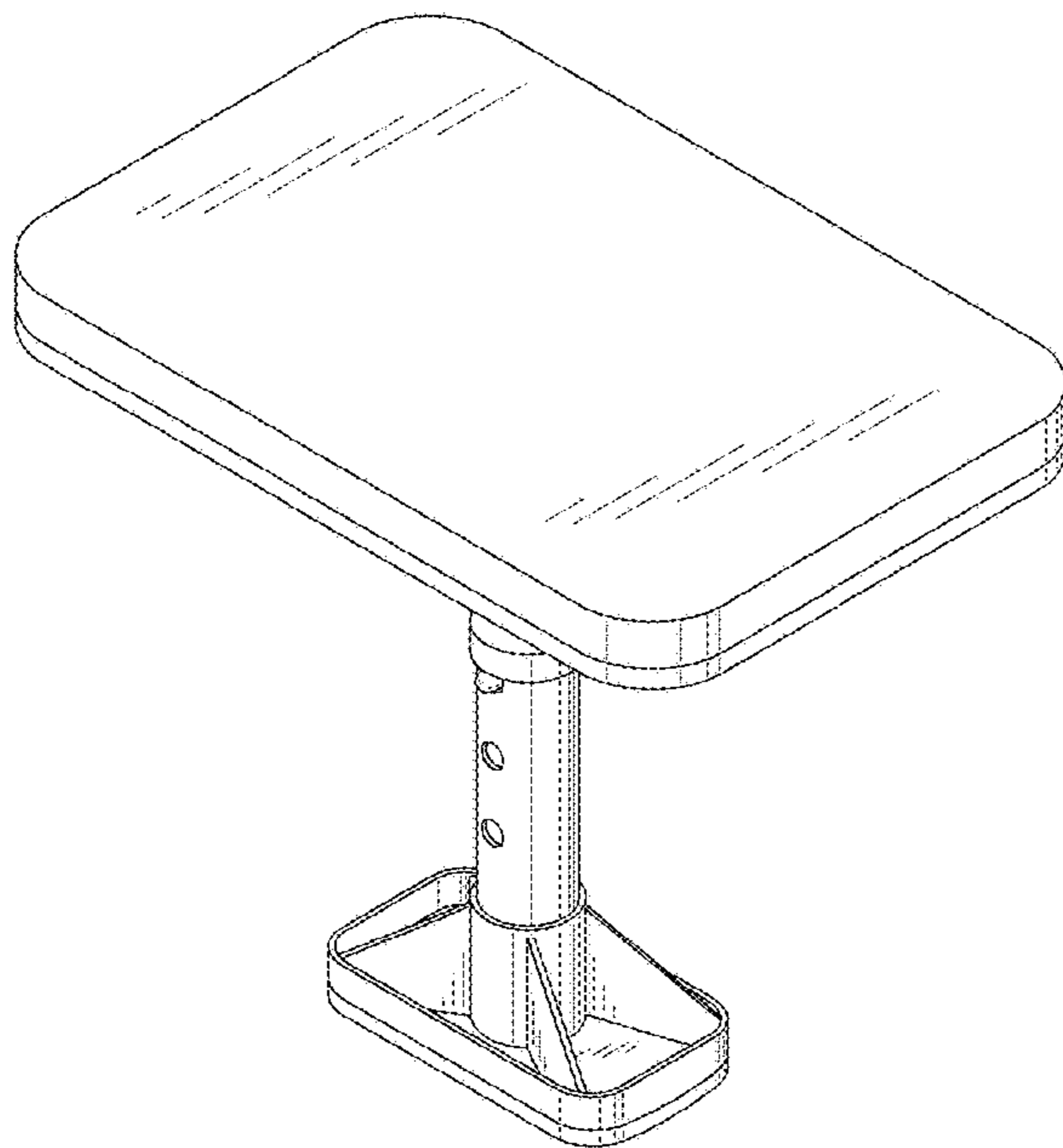


FIG. 1

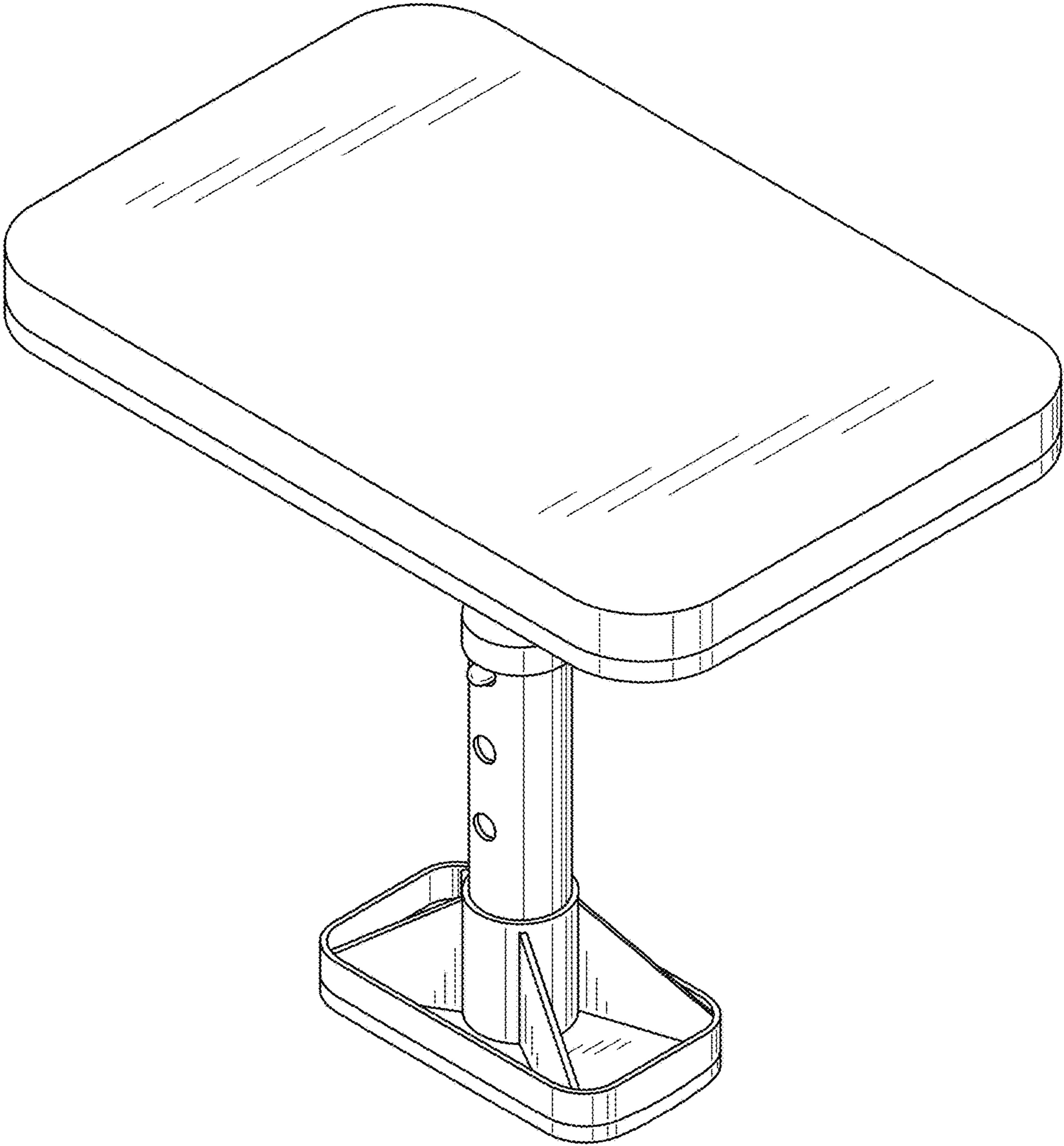


FIG. 2

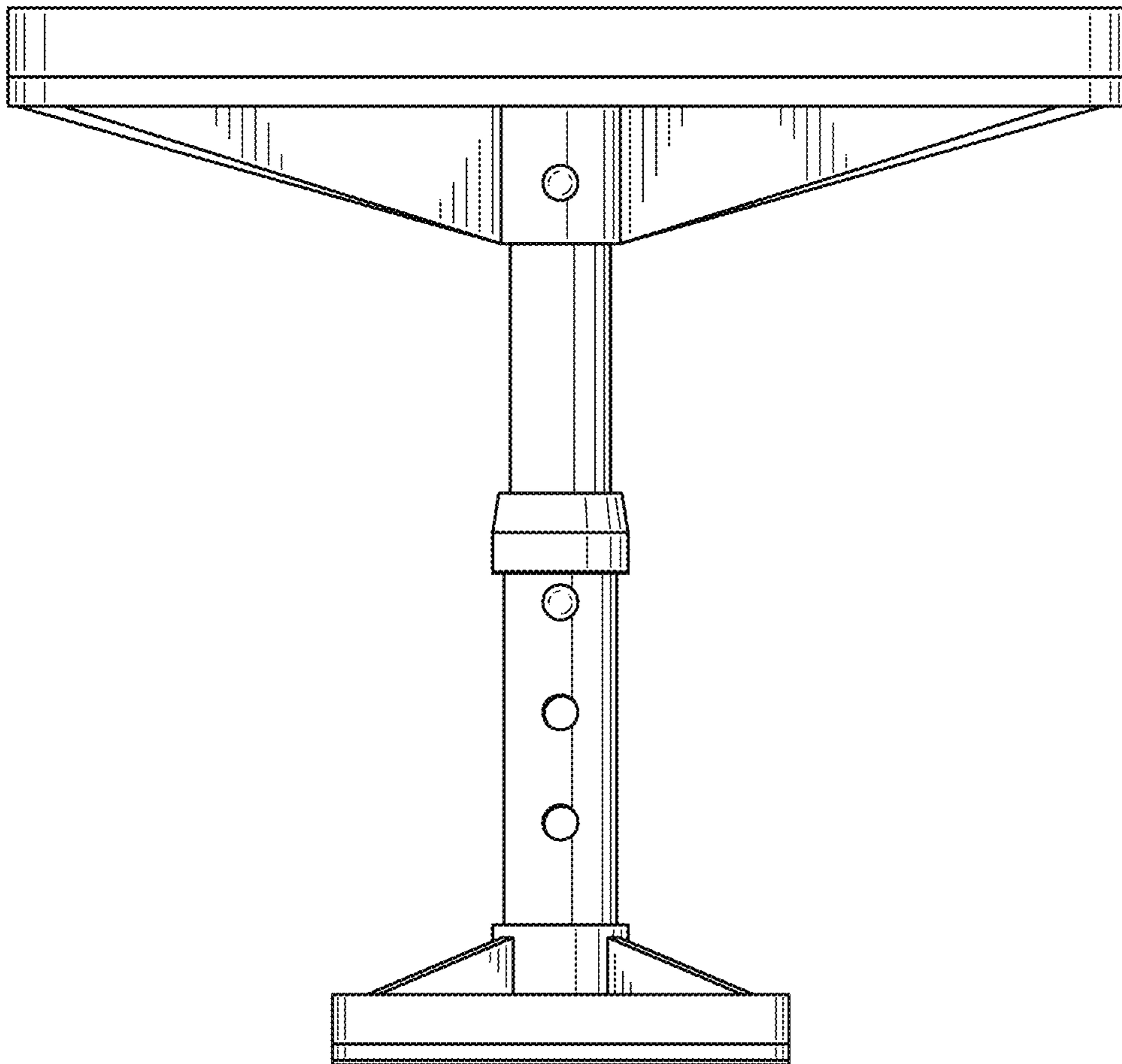


FIG. 3

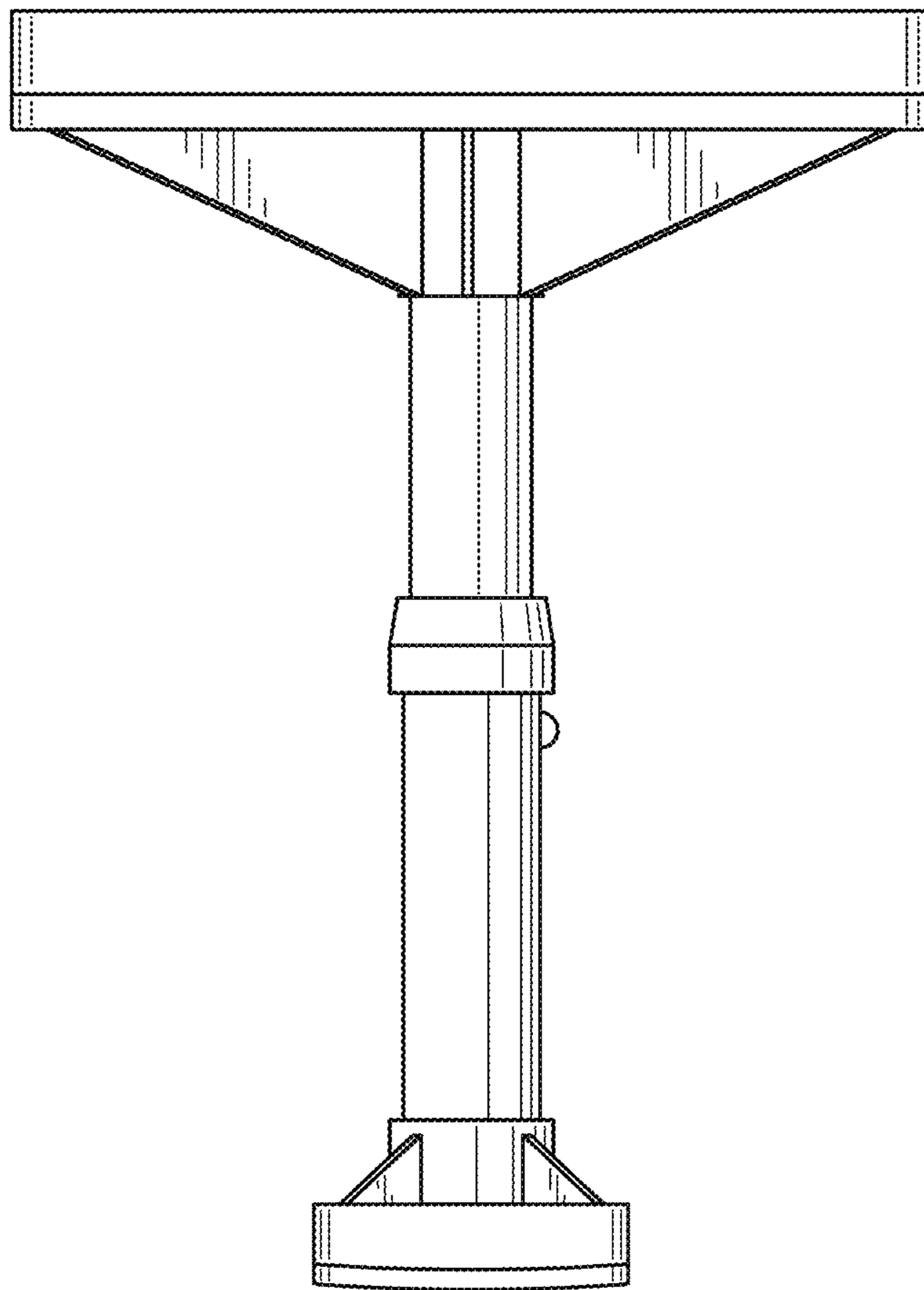


FIG. 4

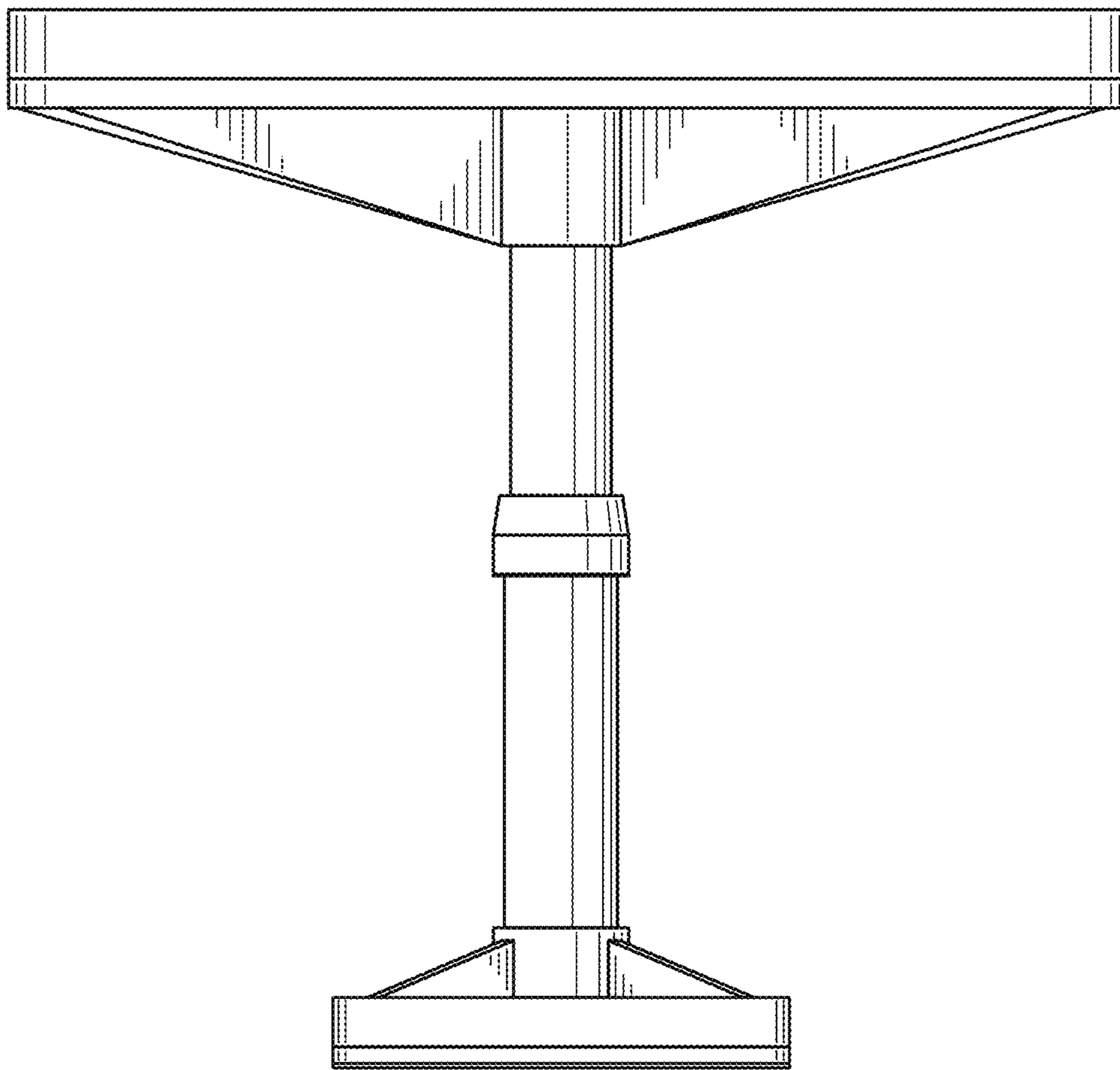


FIG. 5

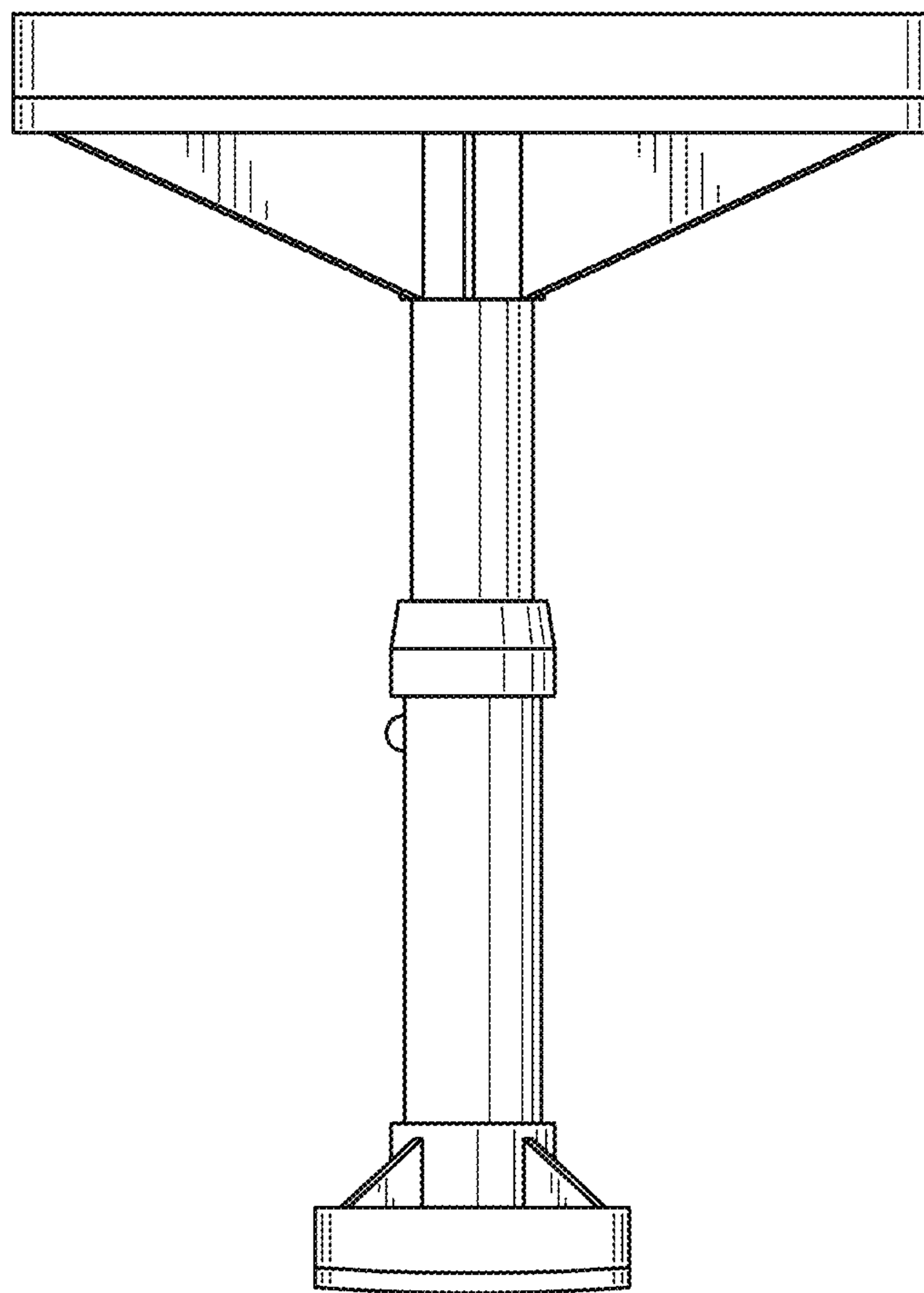


FIG. 6

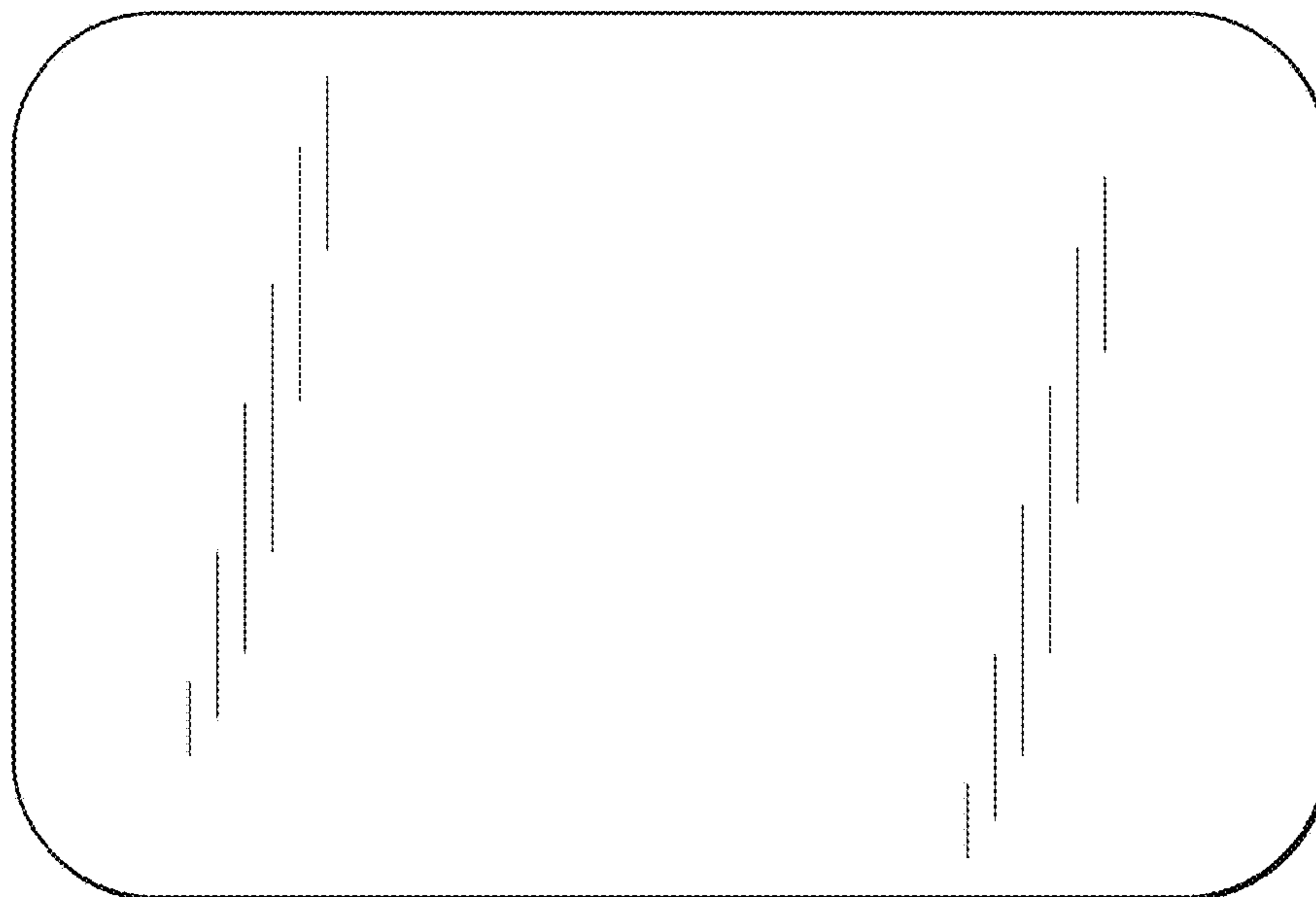


FIG. 7

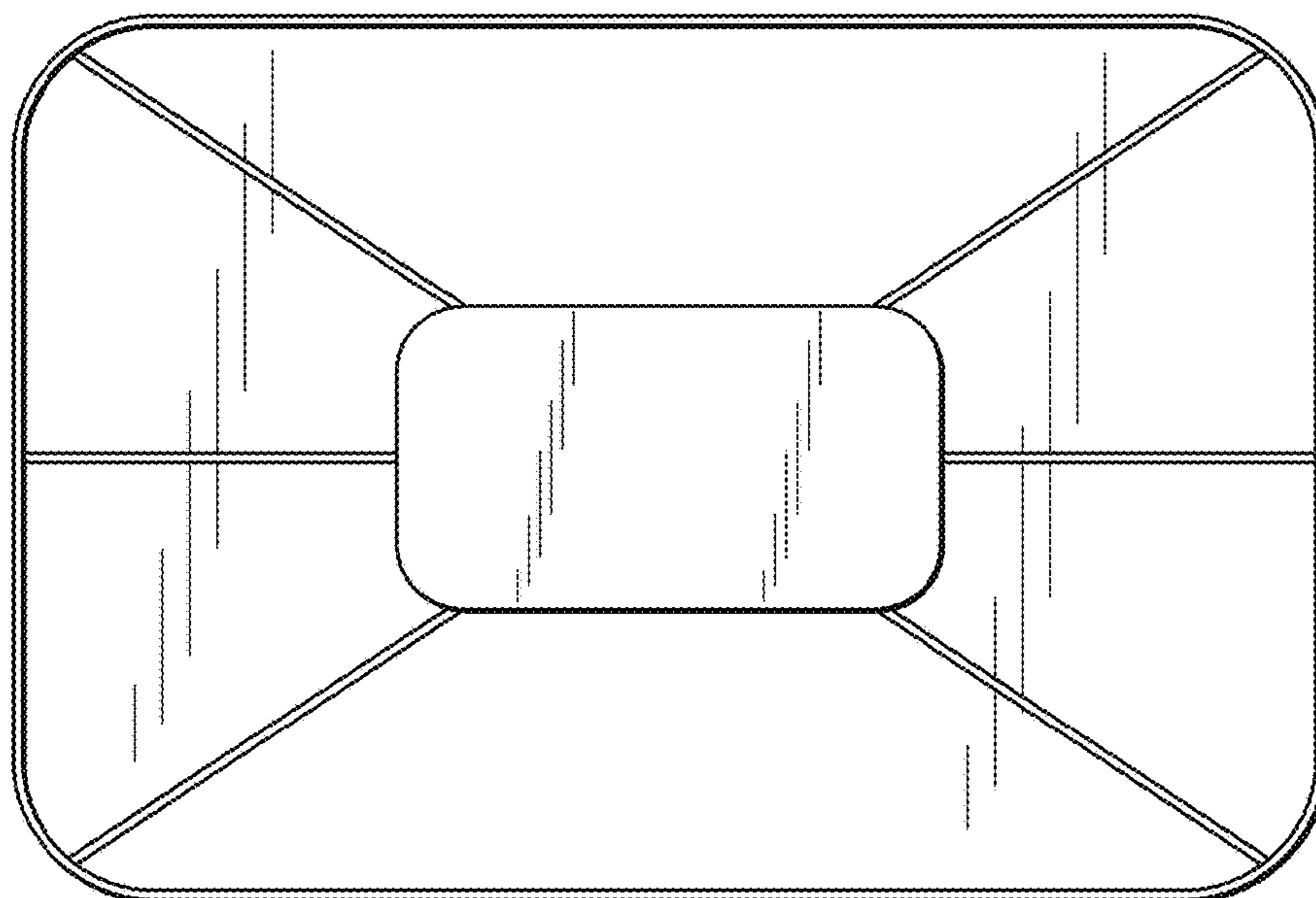


FIG. 8

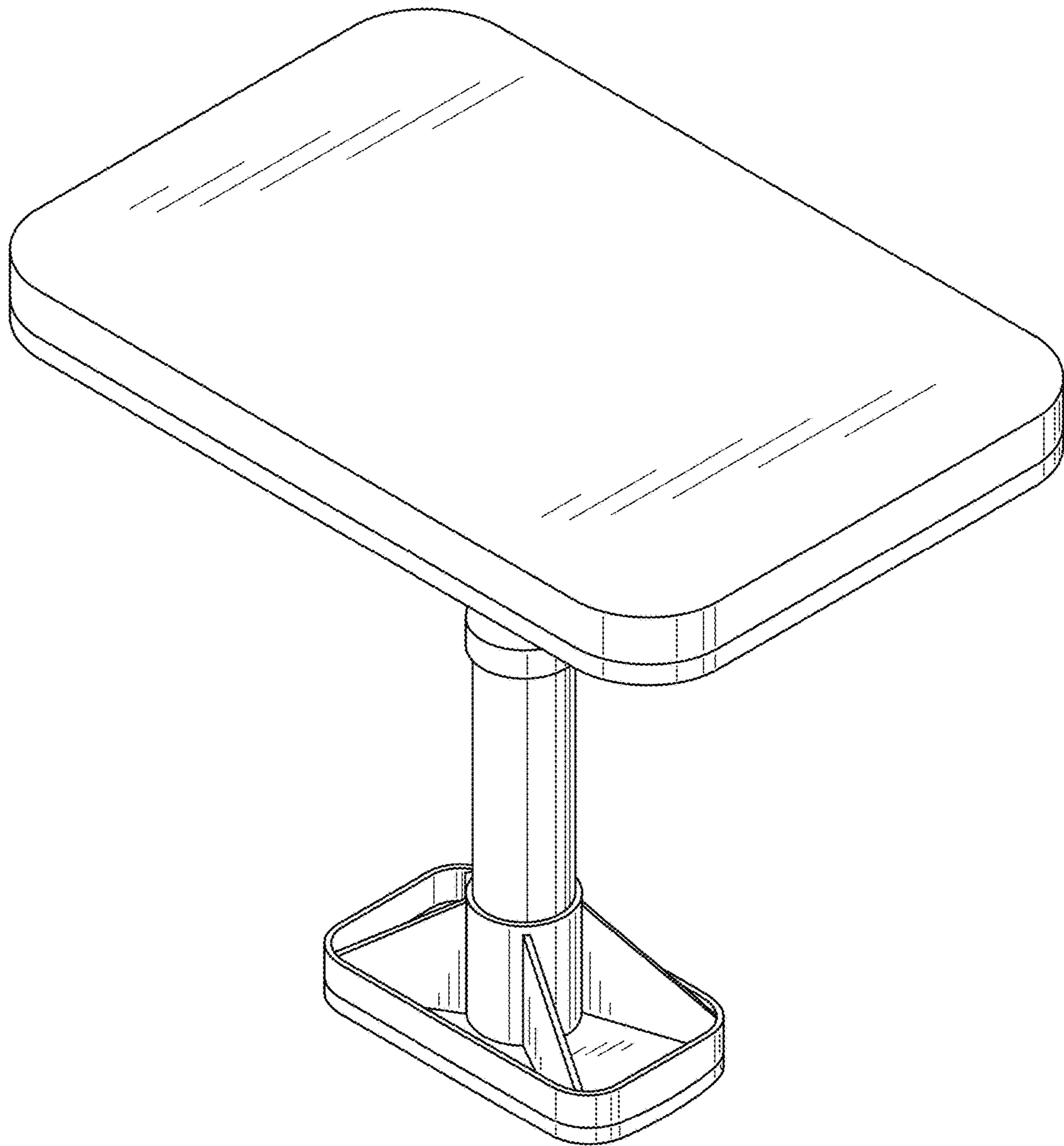


FIG. 9

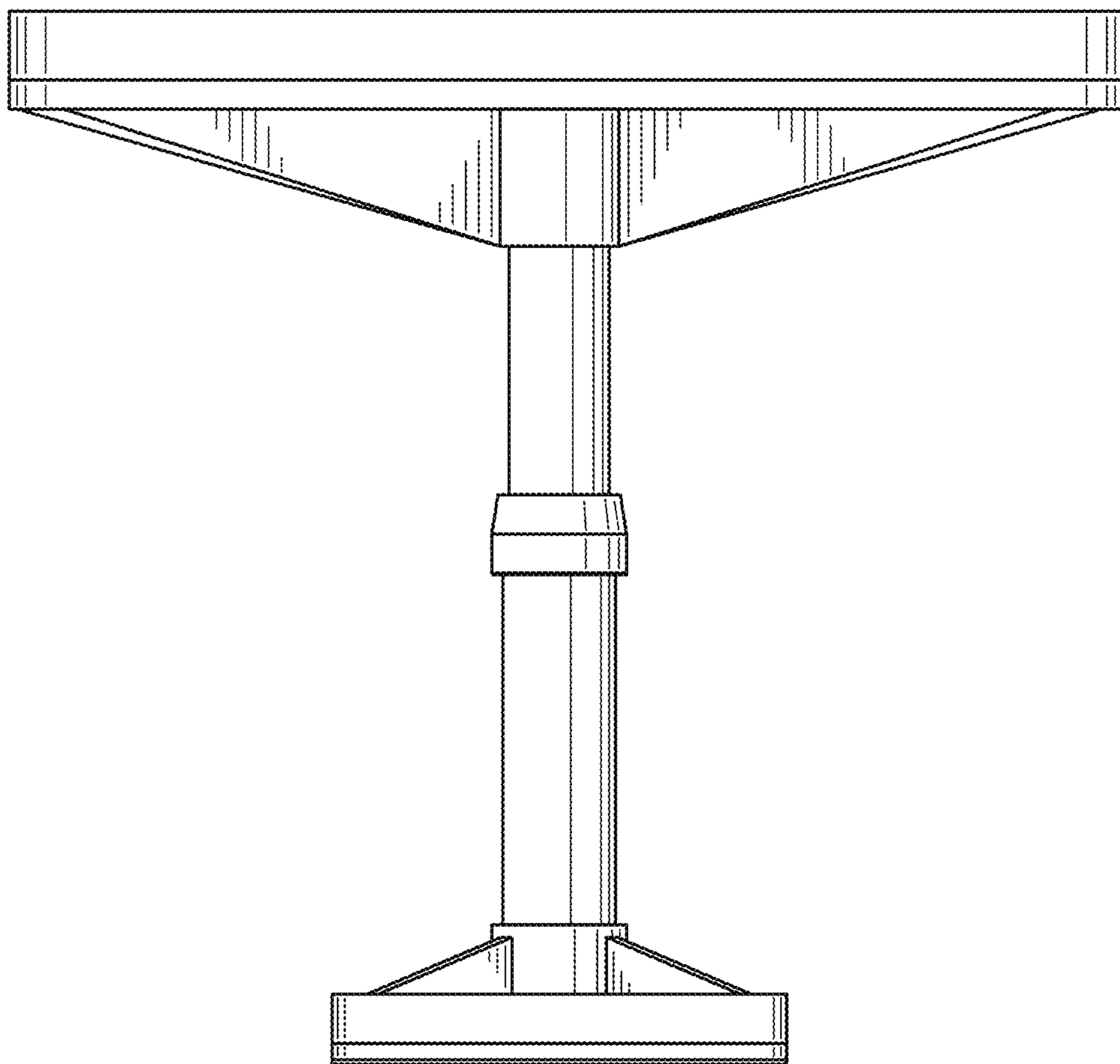


FIG. 10

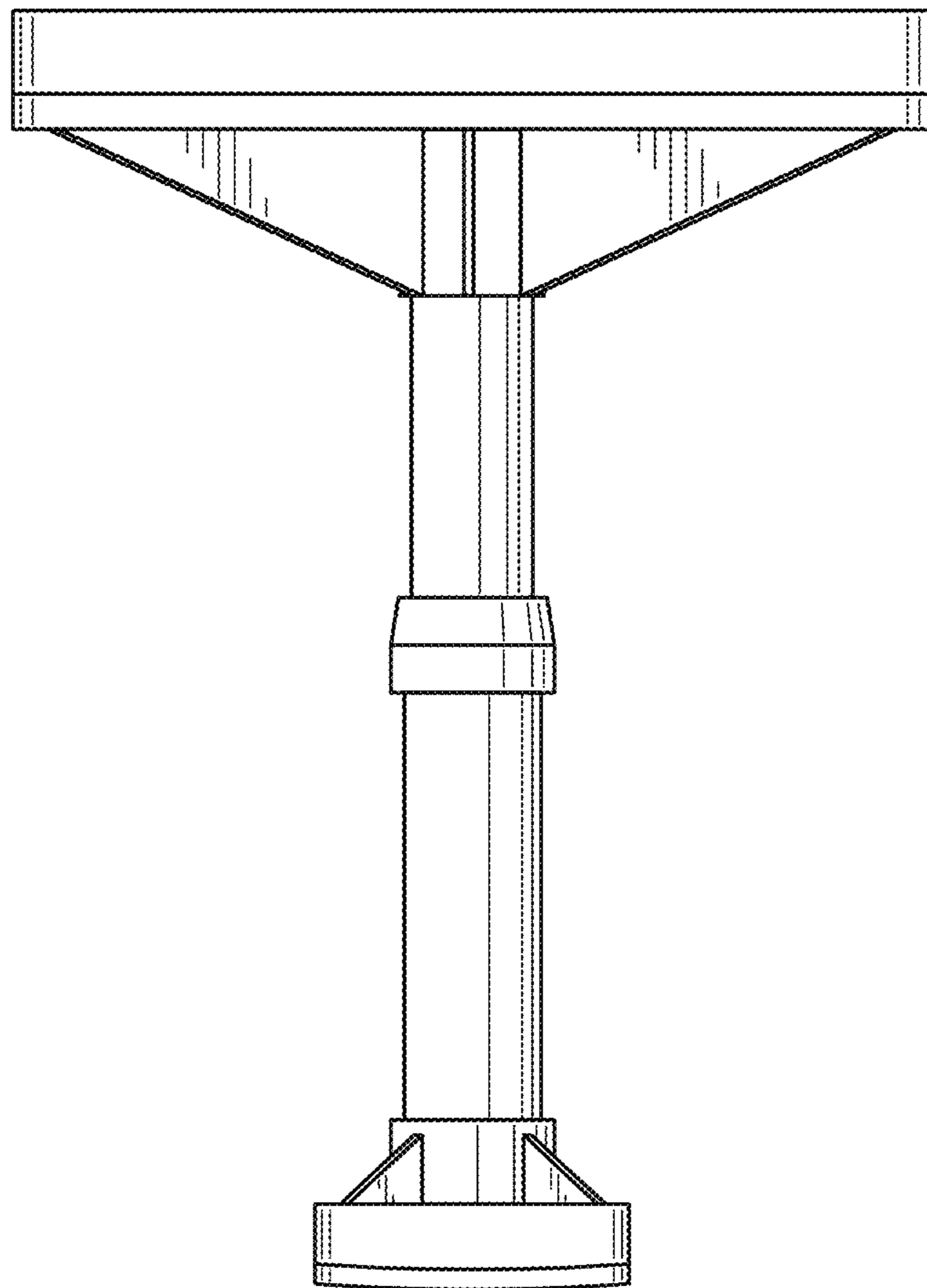


FIG. 11

