



US00D823009S

(12) **United States Design Patent**
Garretson

(10) **Patent No.:** **US D823,009 S**
(45) **Date of Patent:** **** Jul. 17, 2018**

- (54) **BRA HANGER**
- (71) Applicant: **Jean Ann Garretson**, Evansville, IN (US)
- (72) Inventor: **Jean Ann Garretson**, Evansville, IN (US)
- (**) Term: **15 Years**
- (21) Appl. No.: **29/601,256**
- (22) Filed: **Apr. 20, 2017**
- (51) **LOC (11) Cl.** **06-08**
- (52) **U.S. Cl.**
USPC **D6/316; D6/315**
- (58) **Field of Classification Search**
USPC D6/315-328; 223/85-98; 211/1, 10, 211/13.1, 85.3, 87.01, 113
CPC A47G 25/32; A47G 25/28; A47G 25/743; A47G 25/26; A47G 25/30; A47G 25/1442; A47G 25/06; A47G 25/38; A47G 25/50; A47G 25/0607; A47G 25/74; A47G 25/1414; A47G 25/34; A47G 29/08; A47G 29/00; A47F 5/0006; A47F 7/19; A47F 7/12
See application file for complete search history.

8,177,075 B2 * 5/2012 Hathorn A47F 5/0006
211/113
9,215,943 B1 * 12/2015 Varghese-
Abraham A47F 7/022
D758,746 S * 6/2016 Varghese-Abraham D6/323
D811,754 S * 3/2018 Heroux D6/315
(Continued)

Primary Examiner — Lauren R Calve
(74) *Attorney, Agent, or Firm* — Oliff PLC; R. Brian Drozd

(57) **CLAIM**

The ornamental design for a bra hanger, as shown and described.

DESCRIPTION

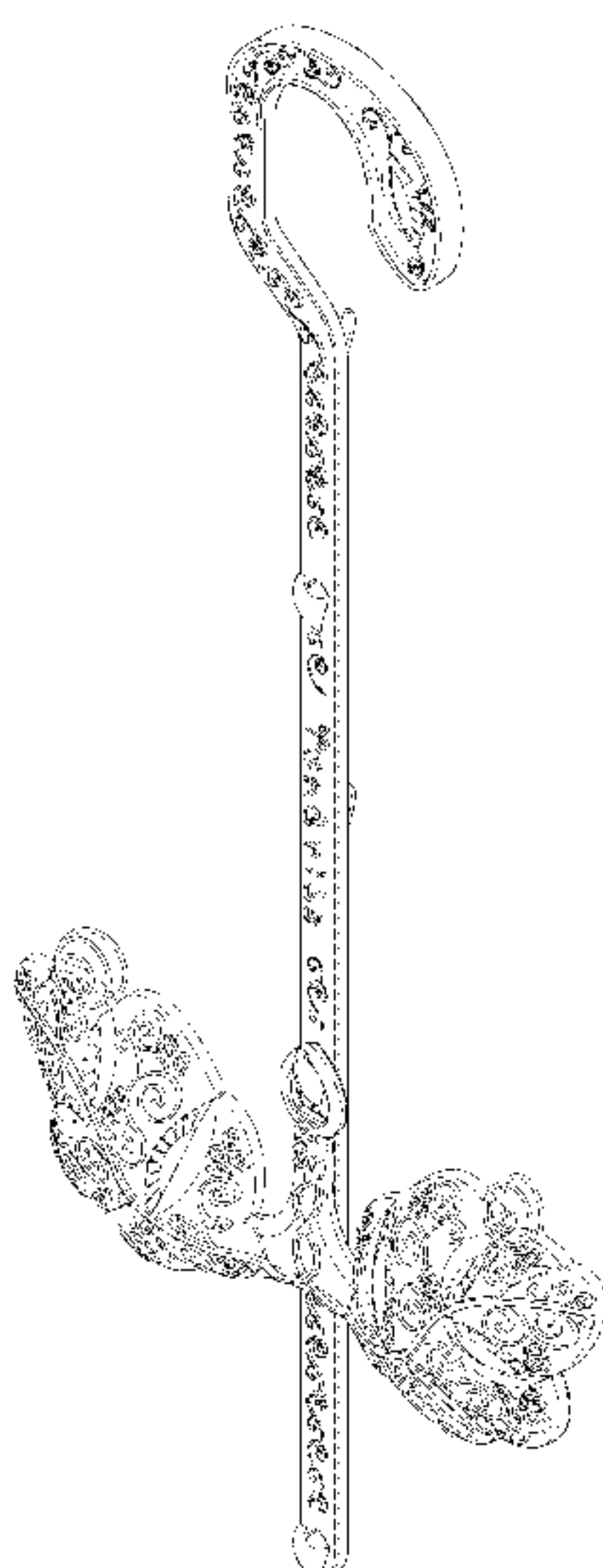
FIG. 1 is a top, front perspective view of a bra hanger showing only the bra hanging portion thereof for clarity of illustration;
FIG. 2 is a front view thereof;
FIG. 3 is a top view thereof;
FIG. 4 is a right side view thereof;
FIG. 5 is a rear view thereof;
FIG. 6 is a bottom view thereof;
FIG. 7 is a bottom, rear, left side perspective view thereof;
FIG. 8 is a top, front, right perspective view of the bra hanger showing only the base portion thereof for clarity of illustration;
FIG. 9 is a front view thereof;
FIG. 10 is a top view thereof;
FIG. 11 is a right side view thereof;
FIG. 12 is a left side view thereof;
FIG. 13 is a rear view thereof;
FIG. 14 is a bottom view thereof;
FIG. 15 is a bottom, rear, left side perspective view thereof;
and,
FIG. 16 is a top, front, right perspective view of the bra hanger comprising the bra hanging portion of FIGS. 1-7 and the base portion of FIGS. 8-15.

(56) **References Cited**

U.S. PATENT DOCUMENTS

D175,937 S * 11/1955 Doak D6/316
2,799,438 A * 7/1957 Cote A47G 25/34
223/95
D195,751 S * 7/1963 Kennedy et al. D8/372
3,381,865 A * 5/1968 Pehr A47G 21/165
2/145
4,718,546 A * 1/1988 Kolton A47G 25/14
206/278
D366,366 S * 1/1996 Restaino D6/315
D375,413 S * 11/1996 Lin D6/315
D536,179 S * 2/2007 Dikes D6/316
D578,312 S * 10/2008 Belokin D6/315

1 Claim, 13 Drawing Sheets



(56)

References Cited

U.S. PATENT DOCUMENTS

2007/0210124 A1* 9/2007 Dikes A47G 25/20
223/85
2009/0224009 A1* 9/2009 Lubow A47G 25/16
223/91

* cited by examiner



FIG. 1



FIG. 2

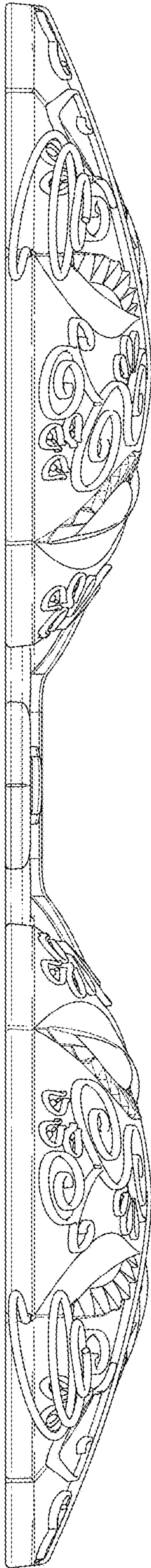


FIG. 3

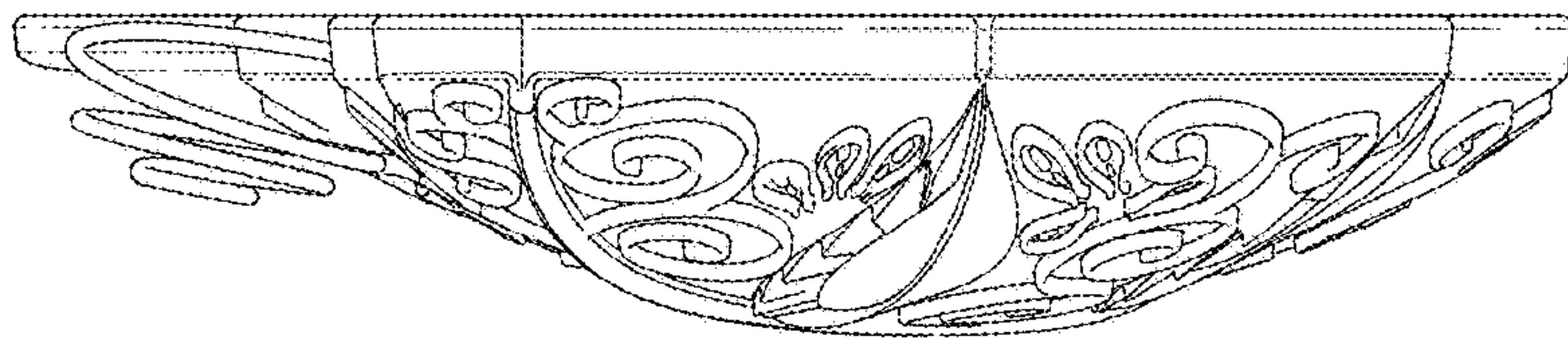


FIG. 4

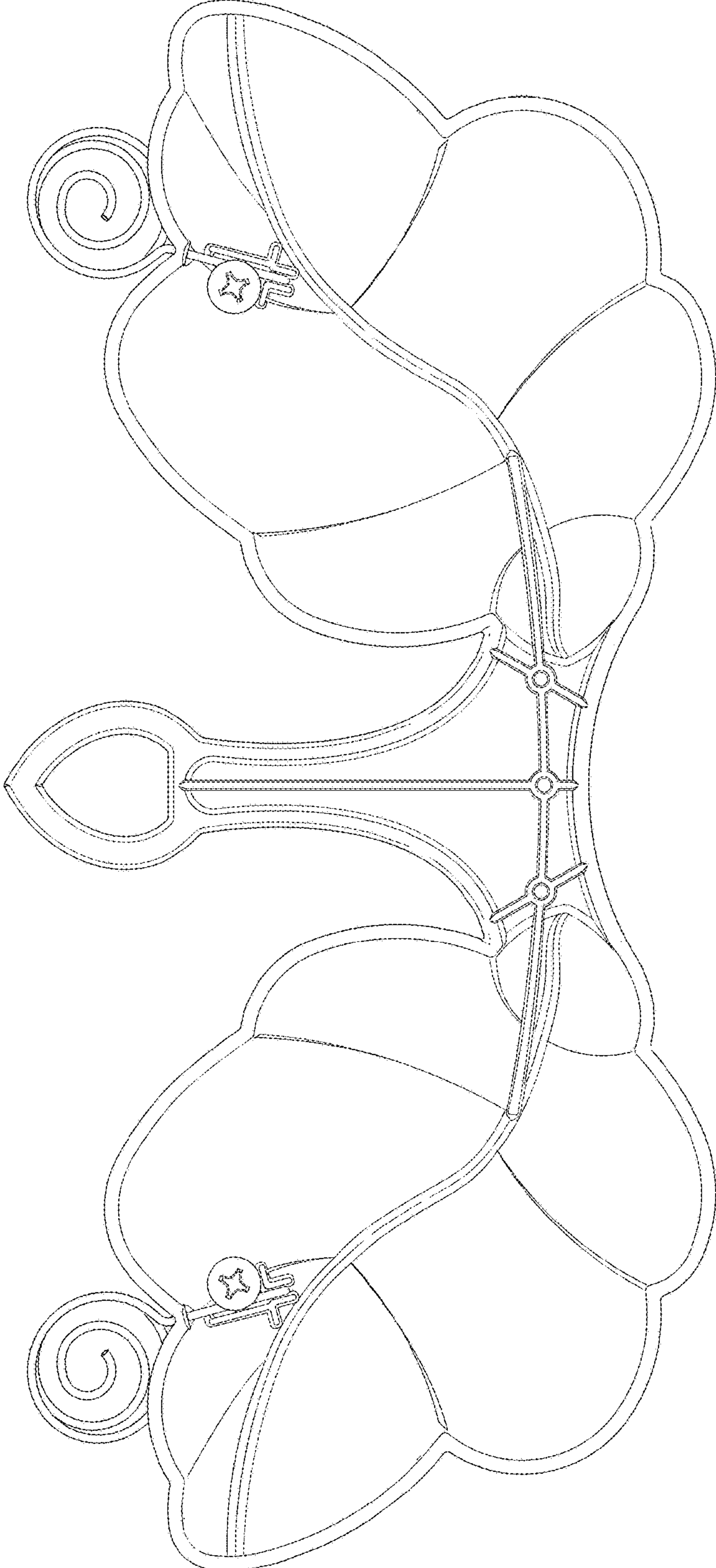


FIG. 5

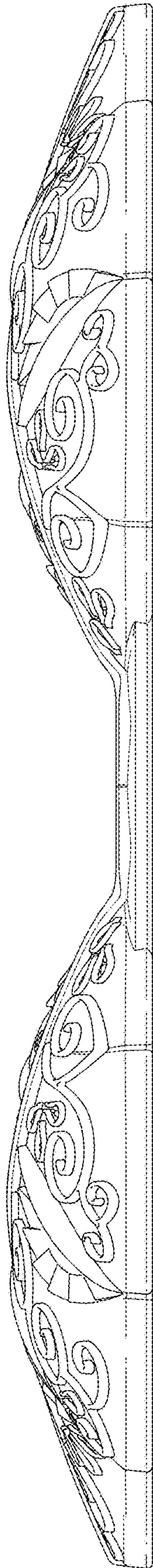


FIG. 6

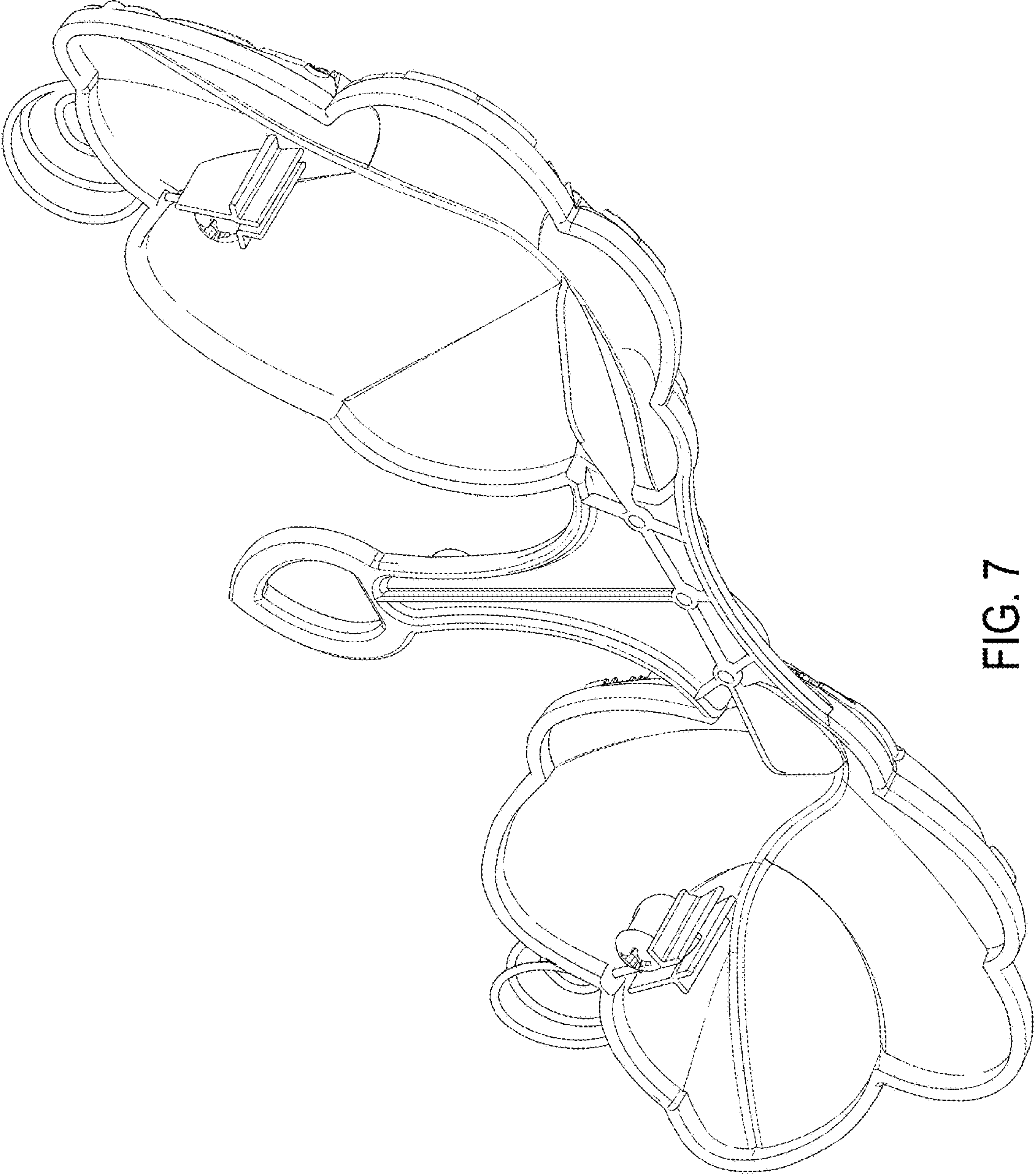


FIG. 7

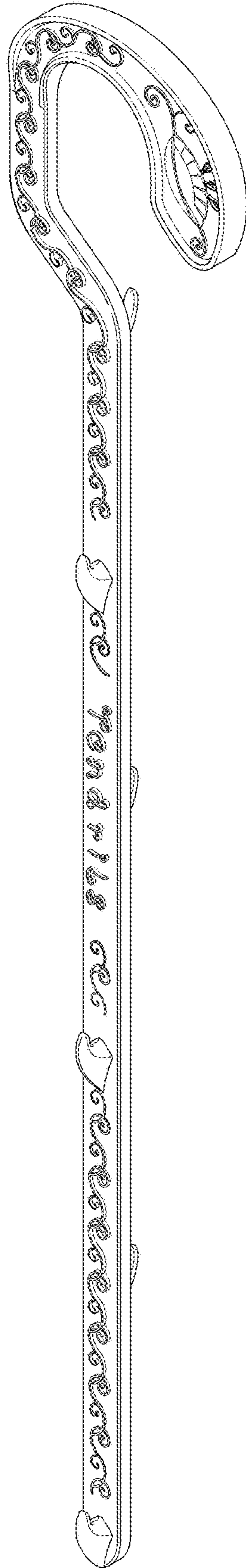


FIG. 8

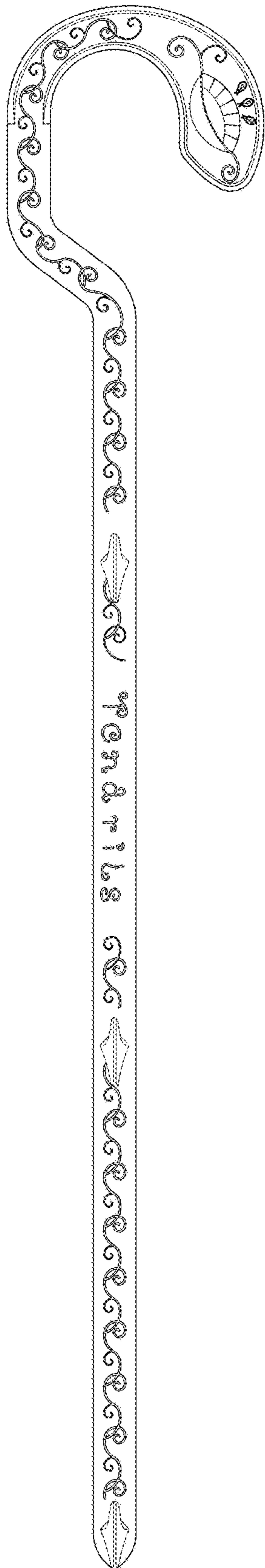


FIG. 9

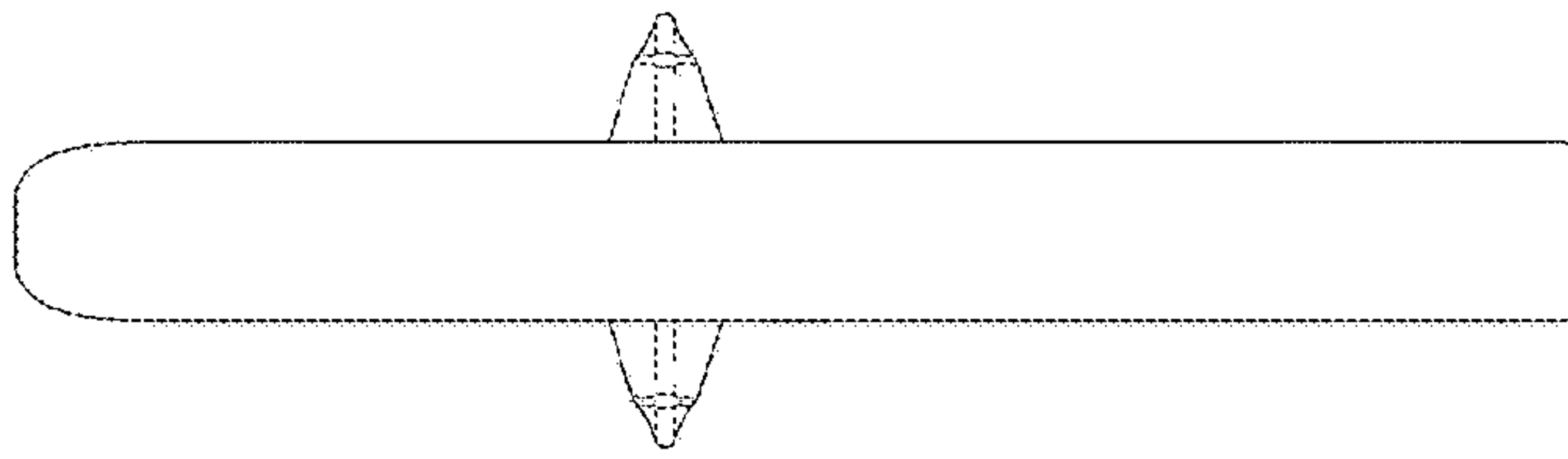


FIG. 10

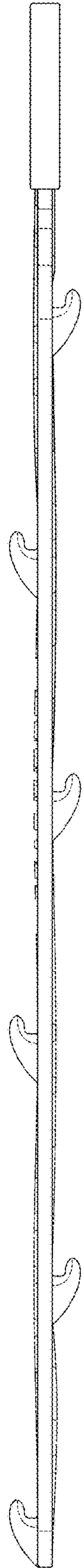


FIG. 11

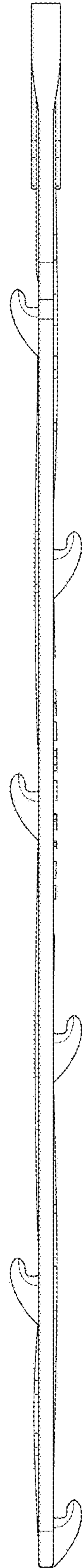


FIG. 12

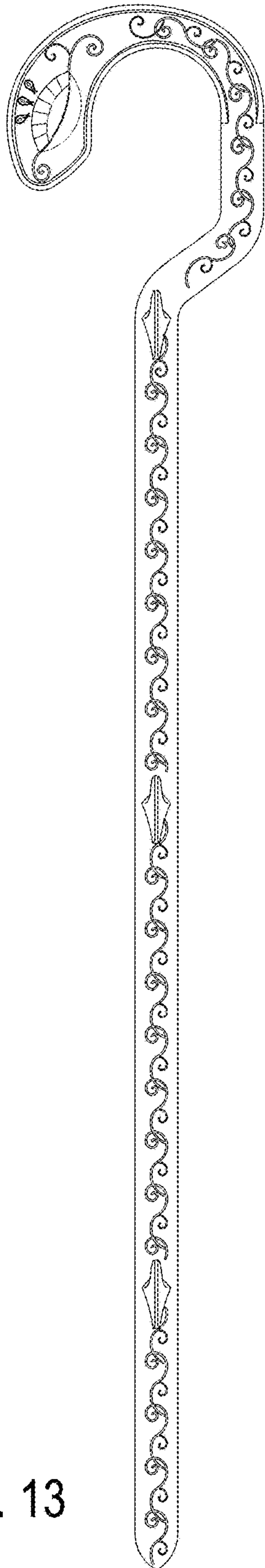


FIG. 13

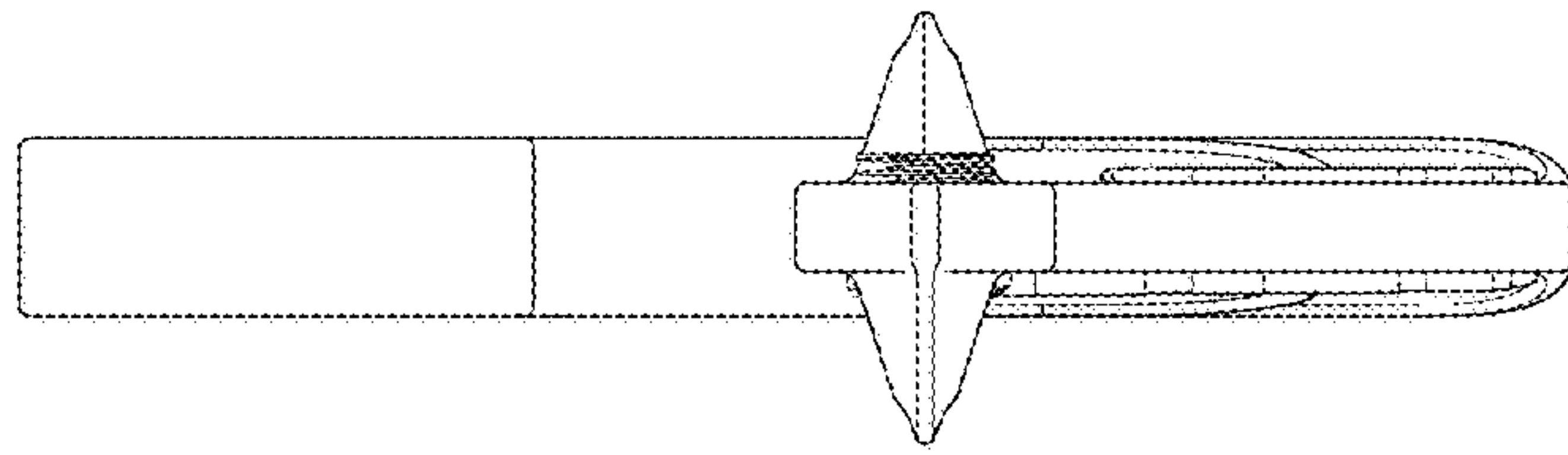


FIG. 14

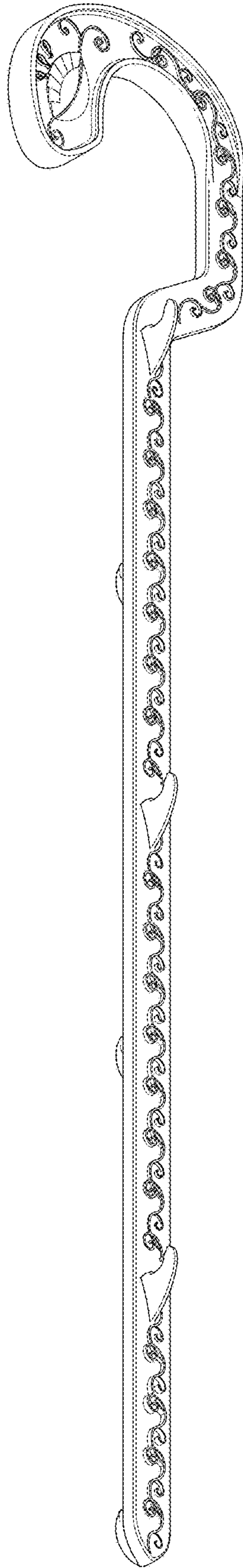


FIG. 15

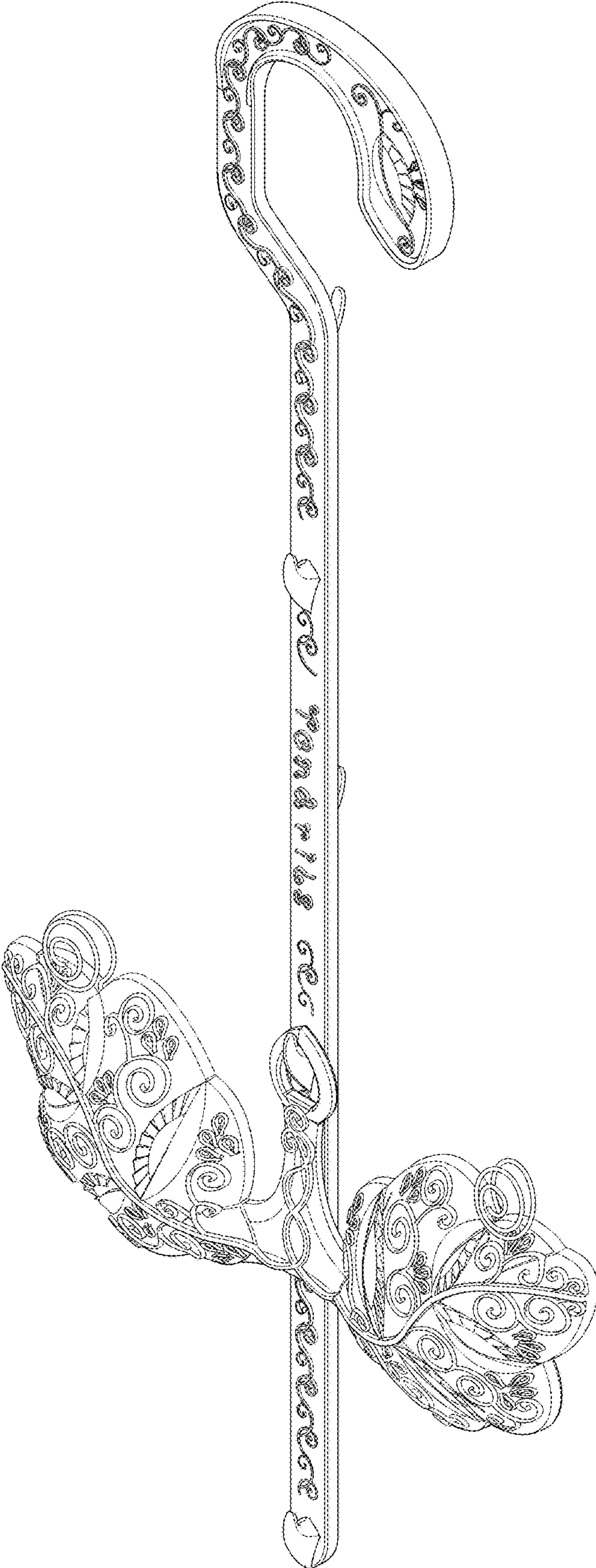


FIG. 16