



US00D823007S

(12) **United States Design Patent**  
**Nicoline**

(10) **Patent No.:** **US D823,007 S**  
(45) **Date of Patent:** **\*\* Jul. 17, 2018**

- (54) **BRUSH HANDLE**
- (71) Applicant: **Paris Presents Incorporated**, Gurnee, IL (US)
- (72) Inventor: **Alyssa C Nicoline**, McHenry, IL (US)
- (73) Assignee: **PARIS PRESENTS INCORPORATED**, Gurnee, IL (US)
- (\*\*) Term: **15 Years**
- (21) Appl. No.: **29/601,660**
- (22) Filed: **Apr. 25, 2017**
- (51) **LOC (11) Cl.** ..... **04-02**
- (52) **U.S. Cl.**  
USPC ..... **D4/138**
- (58) **Field of Classification Search**  
USPC ..... D4/104, 108, 111, 112, 113, 105, 106, D4/107, 110, 114, 115, 116, 117, 118, D4/119, 120, 122, 123, 124, 125, 127, D4/128, 129, 130, 131, 132, 133, 134, D4/135, 136, 137, 138, 199; 15/DIG. 5  
CPC .... A46B 9/02; A46B 9/021; A46B 2200/1046  
See application file for complete search history.

(56) **References Cited**

**U.S. PATENT DOCUMENTS**

D96,694 S	*	8/1935	Porter	.....	D4/135
D287,339 S	*	12/1986	Dominski	.....	D9/529
D320,310 S	*	10/1991	Kuhn	.....	D4/114
D676,666 S	*	2/2013	Nelson	.....	D4/127
D706,542 S	*	6/2014	Lavigne	.....	D4/135
D767,488 S	*	9/2016	Esses	.....	D13/107

**OTHER PUBLICATIONS**

B05 Soft Kabuki Brush—PowerBleu | Real Techniques [on-line].  
First available date unknown; retrieved from Internet Feb. 19, 2018.

URL: <<https://realtechniques.com/b05-soft-kabuki-brush/p/1729>>. (7 pages).\*

Screen shot and reviews from youtube video, Real Techniques Powder Bleu Brushes Review—Wayne Goss Dupe?! by Mrs. Gingery Beauty [on-line]. Published Jul. 11, 2017; retrieved from the Internet Feb. 19, 2018. URL: <<https://www.youtube.com/watch?v+GNeVK9SpL5s>>. Image at 5:42. (4 pages).\*

Soft Kabuki Brush Makeup Tutorial | Powder Bleu | Real Techniques video by Real Techniques [on-line]. Published Jun. 23, 2017. URL: <<https://www.youtube.com/watch?v=ITLuH-INTQs>>.\*

\* cited by examiner

*Primary Examiner* — Karen E Eldridge Powers  
(74) *Attorney, Agent, or Firm* — Quarles & Brady LLP

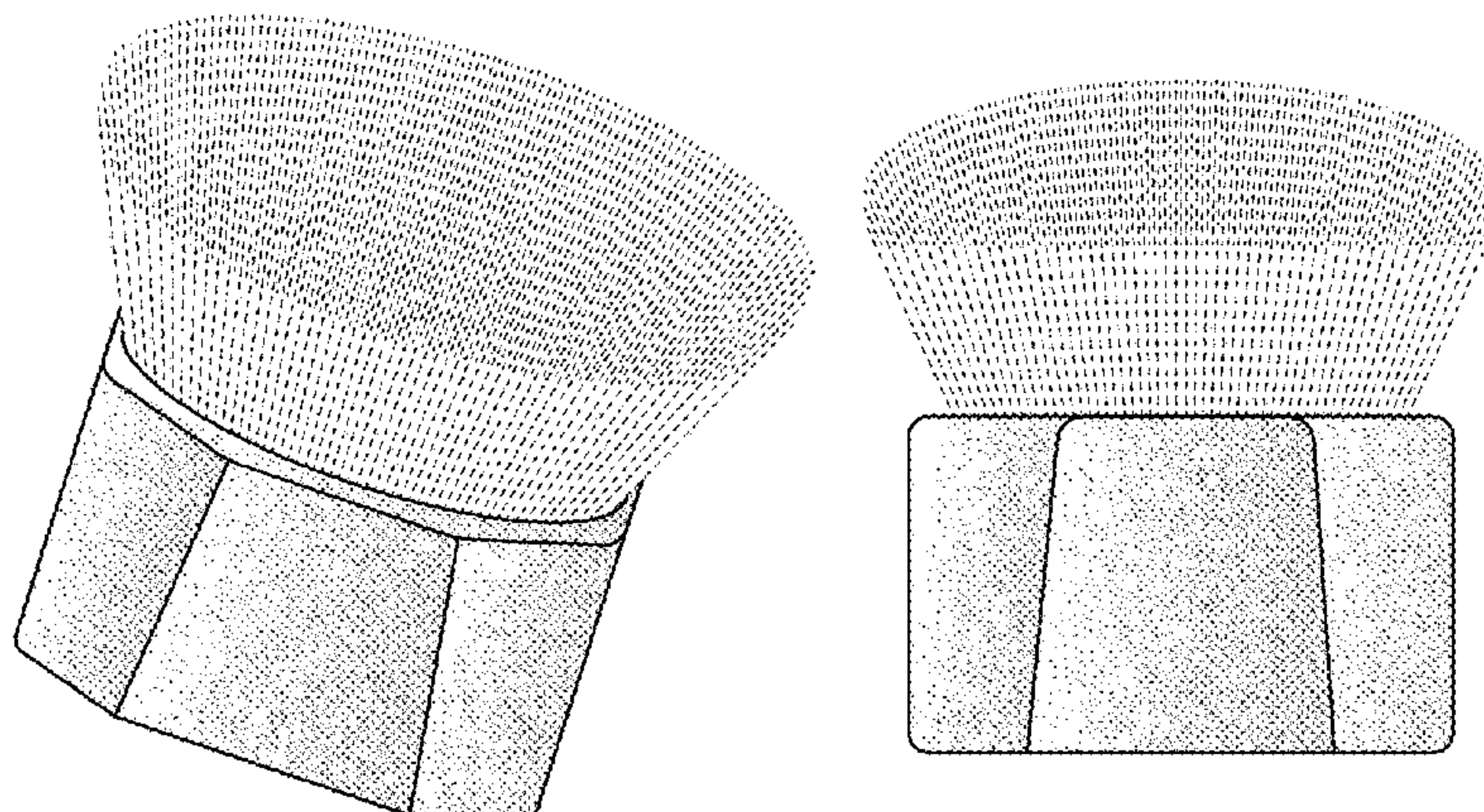
(57) **CLAIM**

The ornamental design for a brush handle, substantially as shown and described.

**DESCRIPTION**

FIG. 1 is a top perspective view of a brush handle showing our new design;  
FIG. 2 is a front elevation view thereof, it being understood that the rear elevation view not shown is a mirror image thereof;  
FIG. 3 is a right side elevation view thereof, it being understood that the left side elevation view not shown is a mirror image thereof;  
FIG. 4 is a top plan view thereof; and,  
FIG. 5 is a bottom plan view thereof.  
Broken lines of FIGS. 1-5 illustrate portions of the brush that form no part of the claimed invention.

**1 Claim, 3 Drawing Sheets**



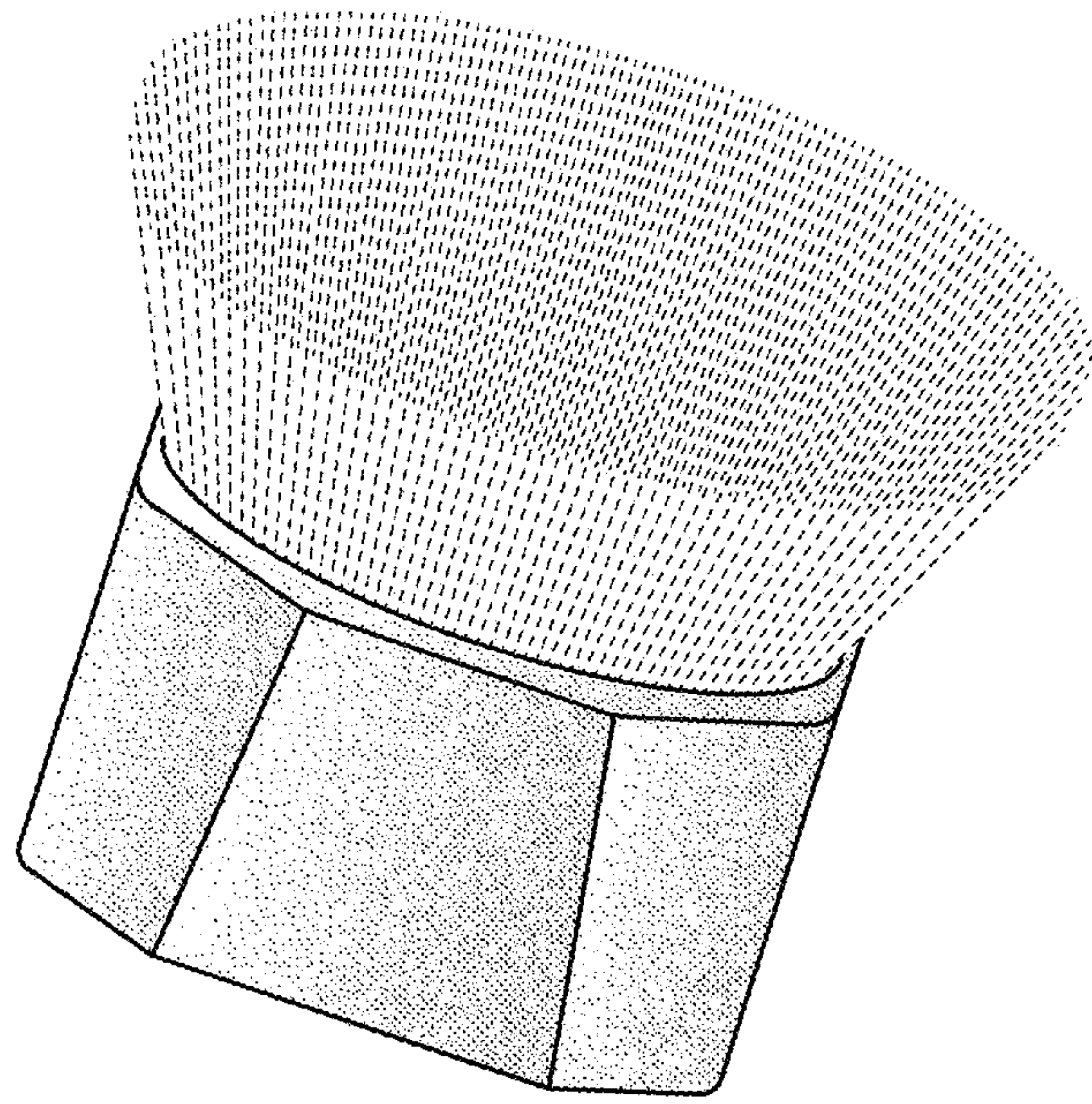


FIG.1



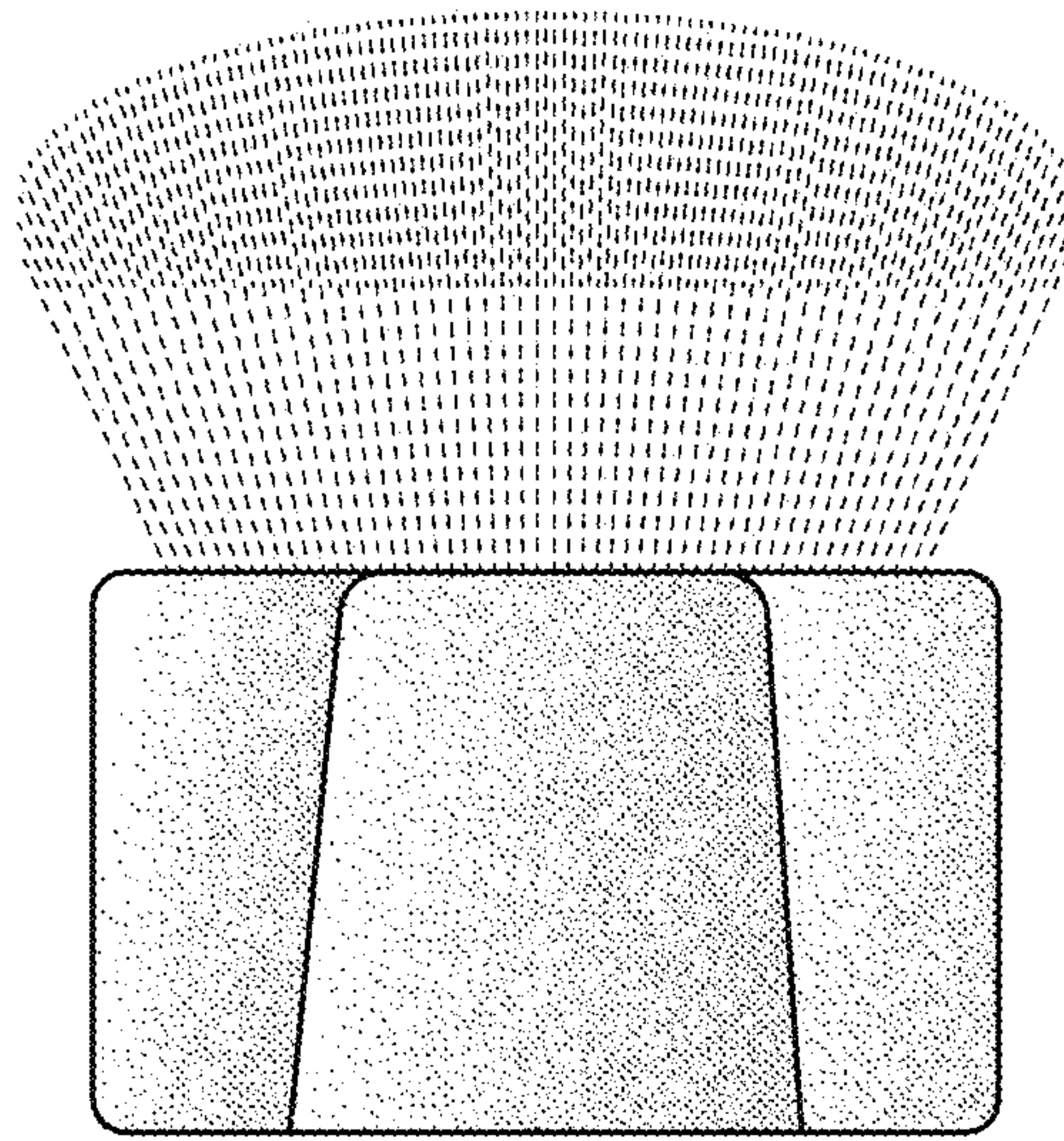


FIG. 2

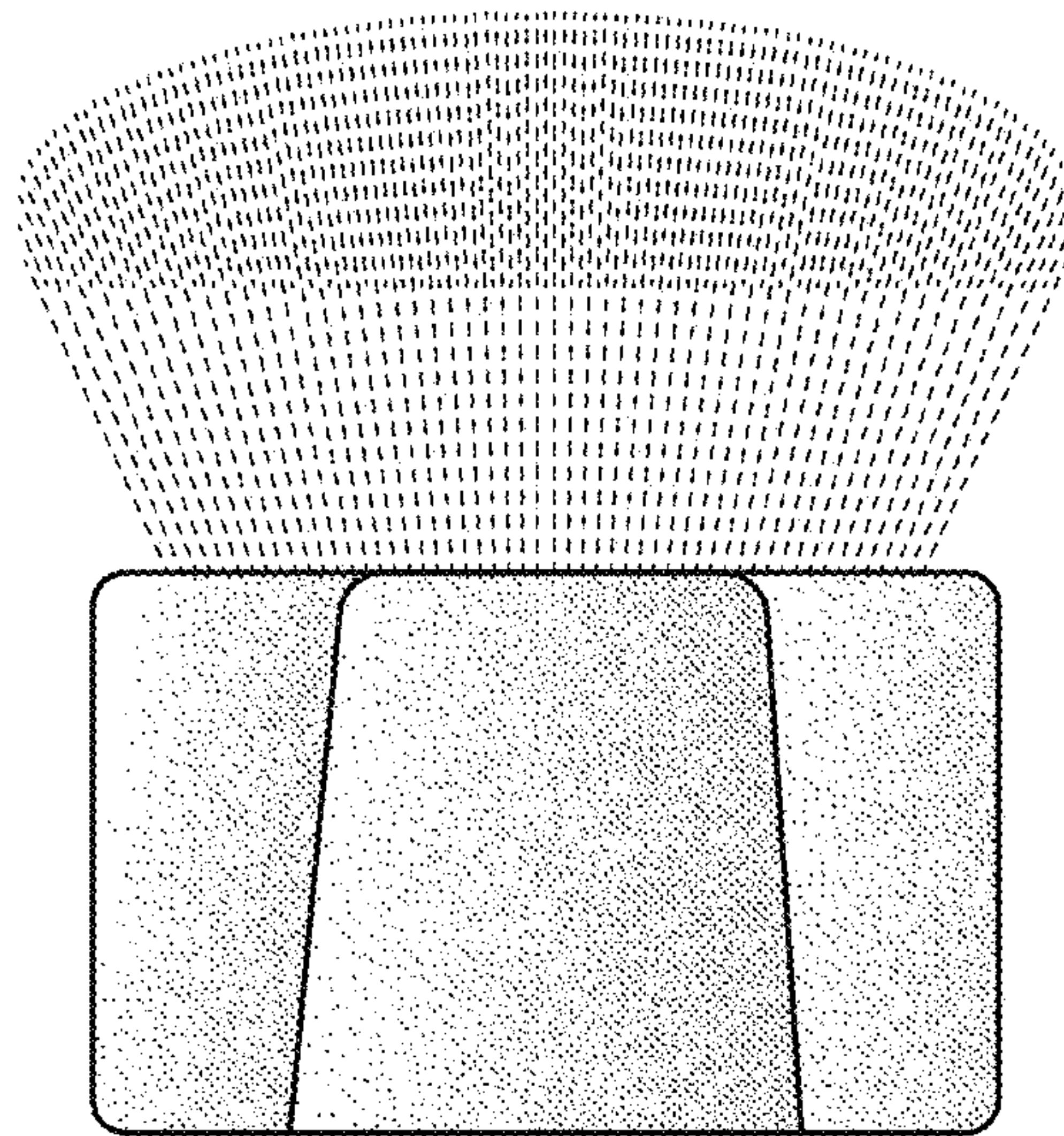


FIG. 3

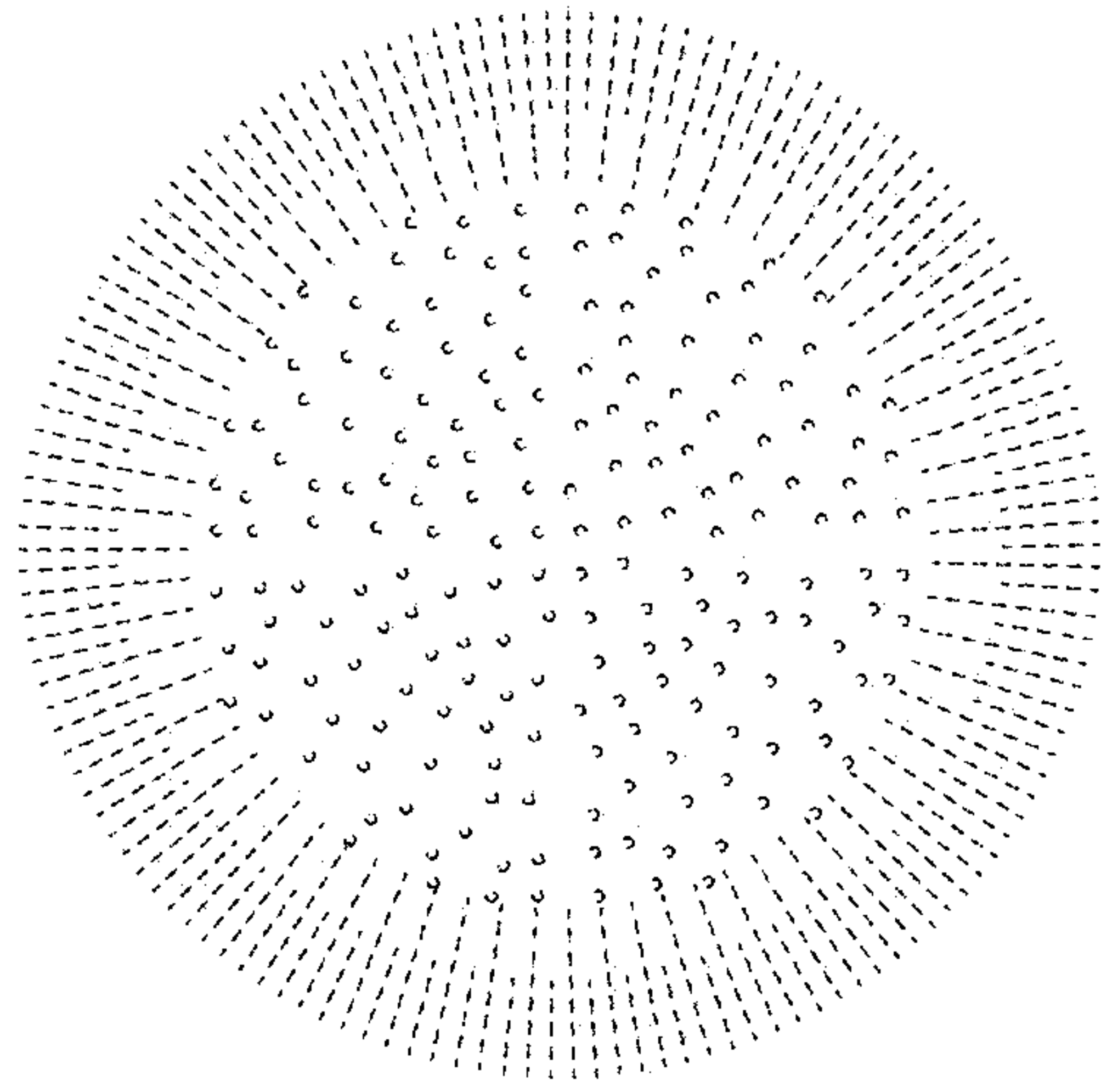


FIG. 4

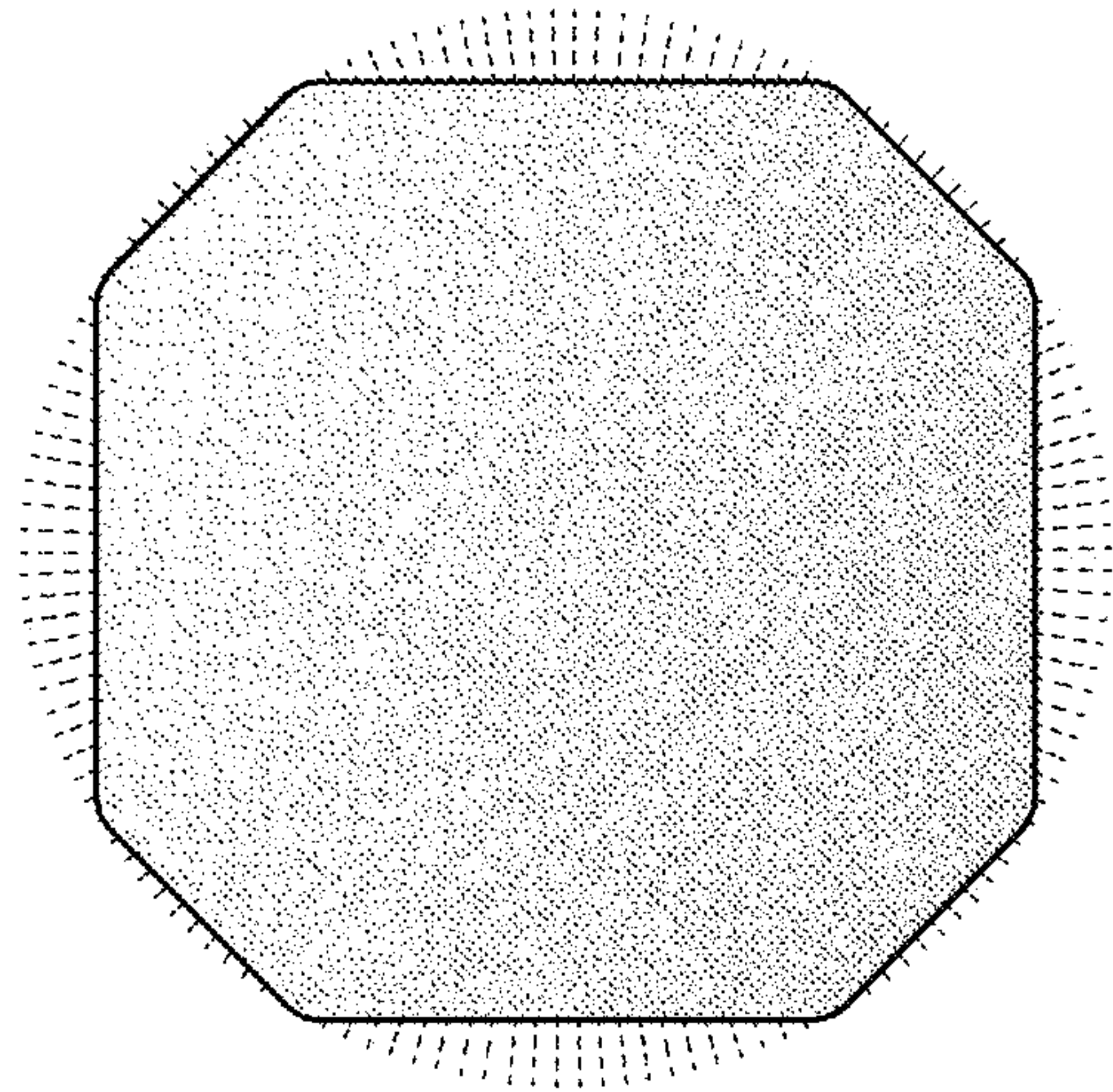


FIG. 5