



US00D823006S

(12) **United States Design Patent**  
**Kim**

(10) **Patent No.:** **US D823,006 S**  
(45) **Date of Patent:** **\*\* Jul. 17, 2018**

(54) **COMBINED HAIR BRUSH WITH LID**

(74) *Attorney, Agent, or Firm* — Gordon & Rees, LLP

(71) Applicant: **Michelle Kim**, Fountain Valley, CA  
(US)

(57) **CLAIM**

The ornamental design for a combined hair brush with lid,  
as shown and described.

(72) Inventor: **Michelle Kim**, Fountain Valley, CA  
(US)

**DESCRIPTION**

(\*\*) Term: **15 Years**

This application is concurrently filed with U.S. Design application Ser. No. 29/600,926 titled Hair Brush Bristle Configuration, and U.S. Design application Ser. No. 29/600,928 titled Dry Shampoo Hair Brush Applicator the specifications of which are hereby expressly incorporated by reference in their entirety.

(21) Appl. No.: **29/600,925**

(22) Filed: **Apr. 17, 2017**

(51) **LOC (11) Cl.** ..... **04-99**

(52) **U.S. Cl.**  
USPC ..... **D4/136; D4/134**

(58) **Field of Classification Search**

USPC ..... D4/116, 117, 118, 119, 124, 199, 130,  
D4/132, 134, 136; D6/536

CPC ..... A45D 24/14; A45D 24/16; A46B 3/005;  
A46B 5/00; A46B 5/02; A46B 5/021;  
A46B 9/02; A46B 9/021; A46B 9/023;  
A46B 13/001; A46B 13/008; A46B  
15/0055; A46B 15/0081; A46B 15/0087;  
A46B 17/02; A46B 2200/30; A46B  
2200/104; A46B 2200/106; A46B  
2200/202; A46B 2200/205; A46B  
2200/207; A46B 2200/304; A46B  
2200/1006; A46B 2200/1046; A46B  
2200/1053; A46B 2200/3006; A46B  
2200/3033; A46B 2200/3093

See application file for complete search history.

FIG. 1 is a front view of the combined hair brush with lid according to the new design;

FIG. 2 is a back view of the combined hair brush with lid;

FIG. 3 is a side view of the combined hair brush with lid;

FIG. 4 is a perspective view of the combined hair brush with lid;

FIG. 5 is a top view of the combined hair brush with lid;

FIG. 6 is a bottom view of the combined hair brush with lid;

FIG. 7 is a top view with the lid removed of the combined hair brush with lid;

FIG. 8 is a bottom view with the lid removed of the combined hair brush with lid;

FIG. 9 is a front view with lid removed of the combined hair brush with lid;

FIG. 10 is a back view with lid removed of the combined hair brush with lid;

FIG. 11 is a side view with lid removed of the combined hair brush with lid;

FIG. 12 is a perspective view with lid removed of the combined hair brush with lid;

FIG. 13 is an interior view of the lid when removed of the combined hair brush with lid;

FIG. 14 is an side view of the lid when removed of the combined hair brush with lid; and,

FIG. 15 is a perspective view of the lid when removed of the combined hair brush with lid.

(56) **References Cited**

**U.S. PATENT DOCUMENTS**

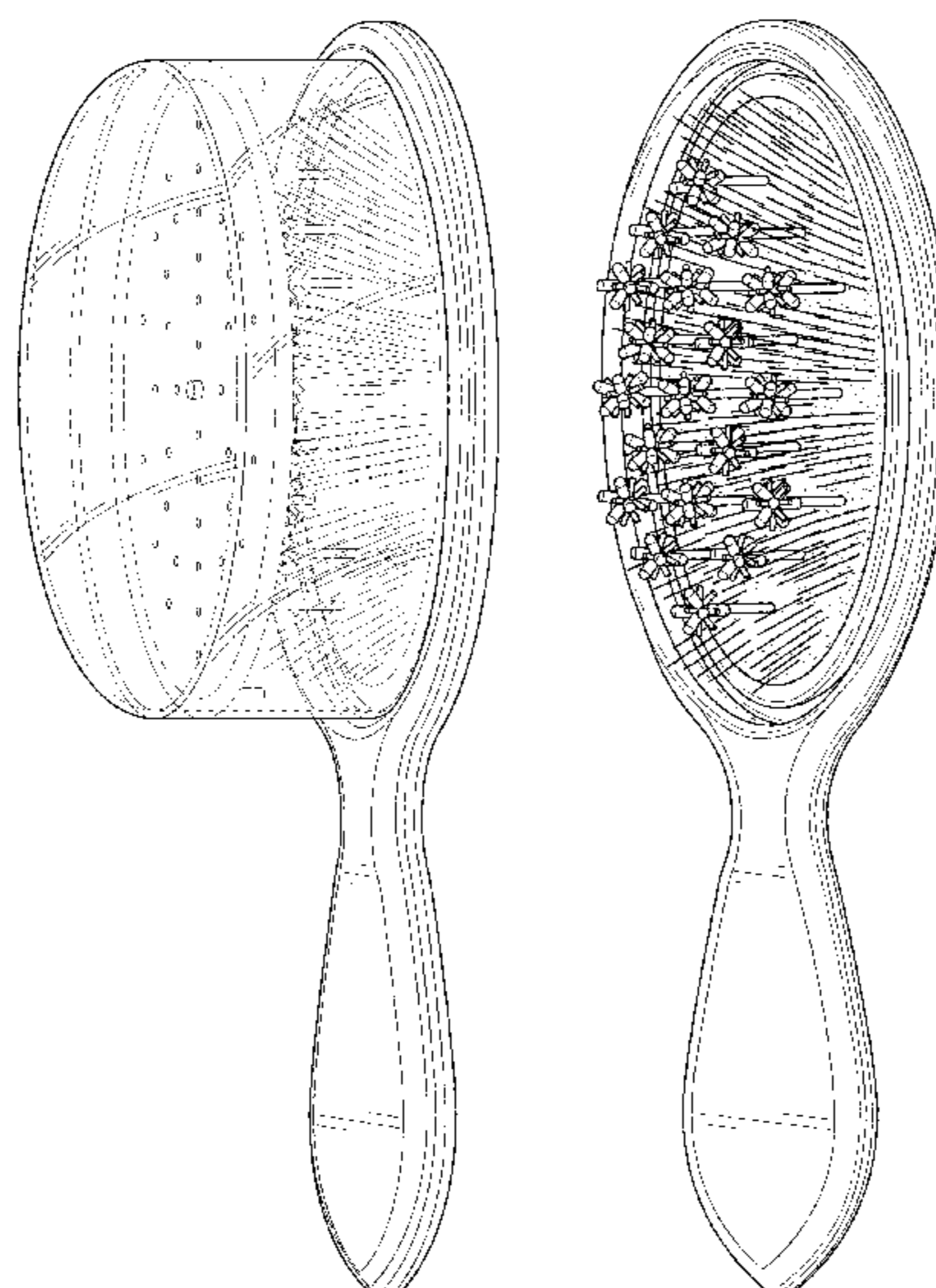
D23,668 S \* 10/1894 Weintge ..... D4/134  
D54,454 S \* 2/1920 Ring ..... D4/124

(Continued)

*Primary Examiner* — Keli L Hill

*Assistant Examiner* — Karra S Johnson

**1 Claim, 14 Drawing Sheets**



(56)

**References Cited**

U.S. PATENT DOCUMENTS

D75,811	S *	7/1928	Smith	.....	D4/134
1,793,307	A *	2/1931	Dolan	.....	A47K 11/10
					15/188
1,957,363	A *	5/1934	Snell	.....	A46B 3/16
					15/186
D242,963	S *	1/1977	Glasberg	.....	D4/128
D294,433	S *	3/1988	DeMars	.....	D4/108
5,996,163	A *	12/1999	Galizia	.....	A46B 5/04
					15/104.92
6,348,104	B1 *	2/2002	Bakker	.....	A47L 1/12
					119/264
D458,456	S *	6/2002	Dragan	.....	D24/119
D466,259	S *	11/2002	Wang	.....	D32/35
D486,307	S *	2/2004	Rogers	.....	D4/122
D497,722	S *	11/2004	Thompson	.....	D4/121
D502,394	S *	3/2005	Jackson	.....	D7/602
D509,363	S *	9/2005	Kampel	.....	D4/133
D608,196	S *	1/2010	Beilke	.....	D9/449
D639,564	S *	6/2011	Kulik	.....	D4/128
8,584,301	B2 *	11/2013	Maissami	.....	A61C 3/005
					15/167.1
8,595,885	B1 *	12/2013	Weinstein	.....	A46B 9/023
					119/612
D702,046	S *	4/2014	Zmrhal	.....	D4/120
D706,131	S *	6/2014	Brooks	.....	D9/428
9,357,837	B2 *	6/2016	Henderson	.....	A46D 3/00
D766,589	S *	9/2016	Cheung	.....	D4/136
D796,210	S *	9/2017	Hu	.....	D28/25
2009/0065018	A1 *	3/2009	Berhault	.....	A45D 40/262
					132/218
2013/0305538	A1 *	11/2013	Robbins	.....	A47J 17/02
					30/121.5

\* cited by examiner

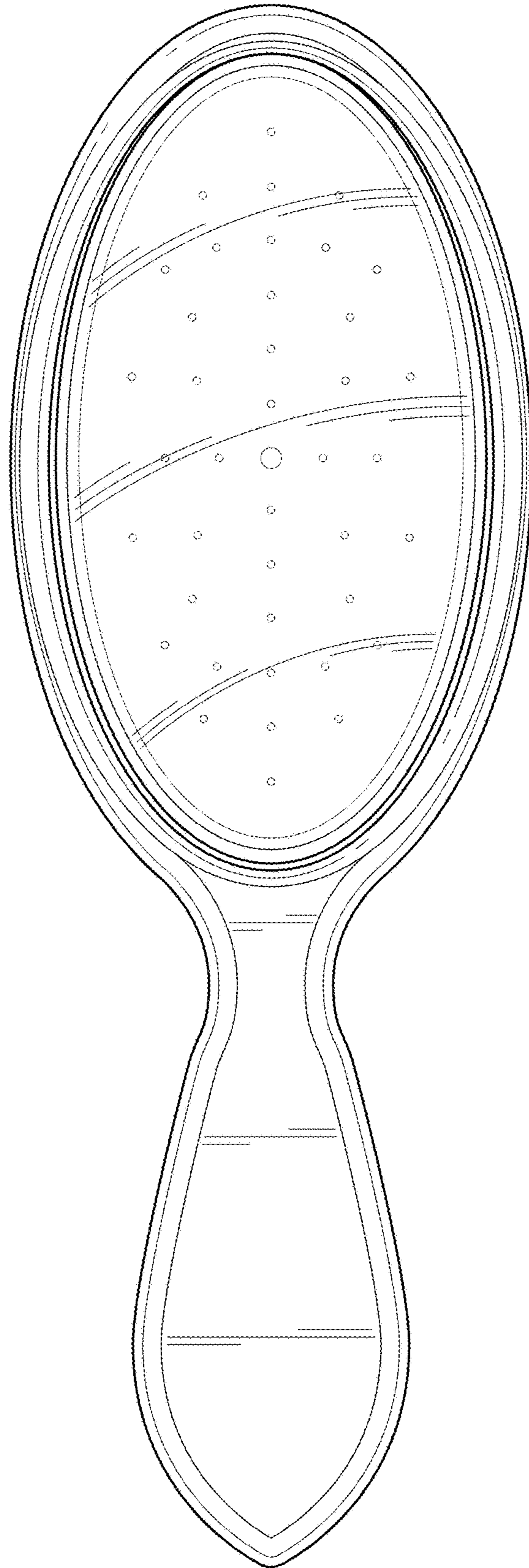


FIG. 1

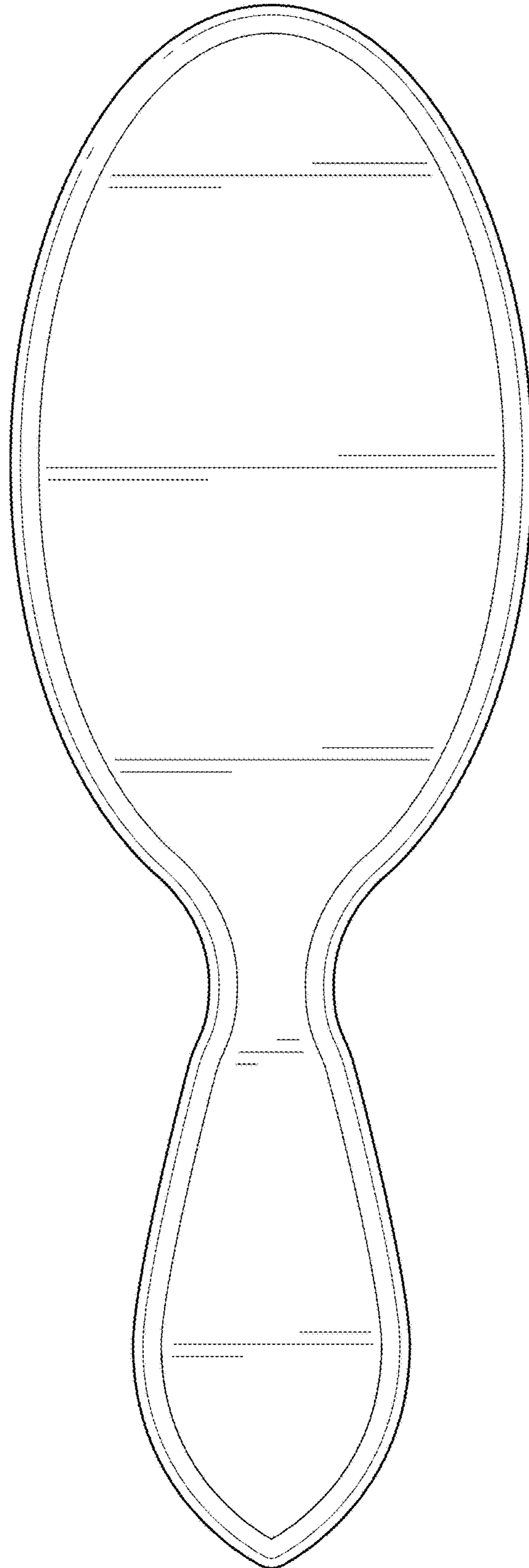


FIG. 2

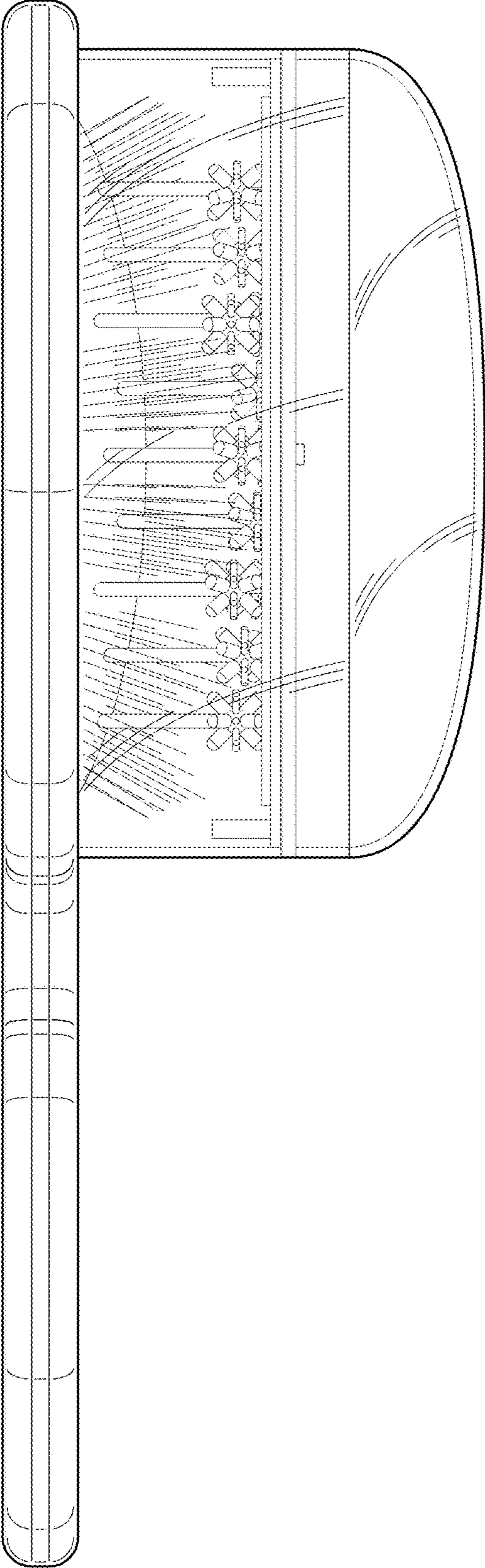


FIG. 3

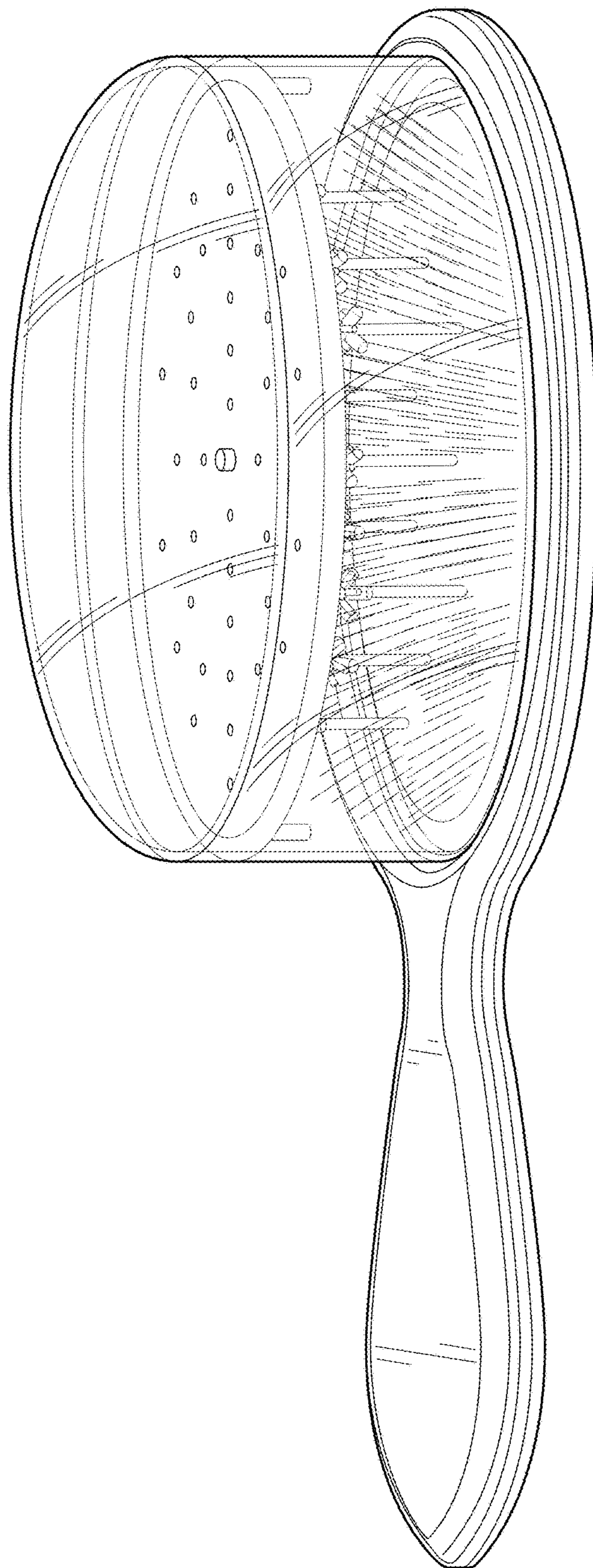


FIG. 4

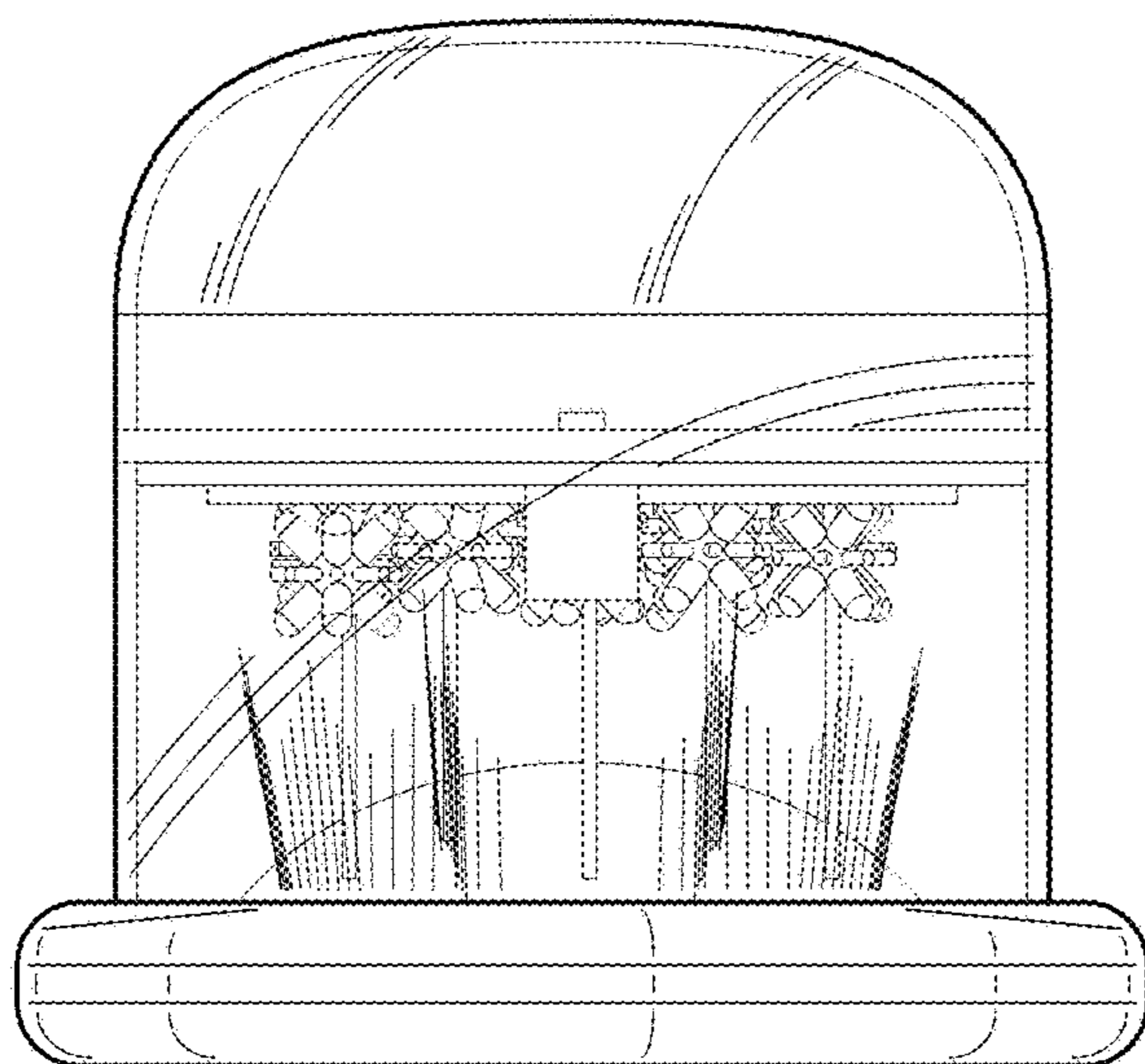


FIG. 5

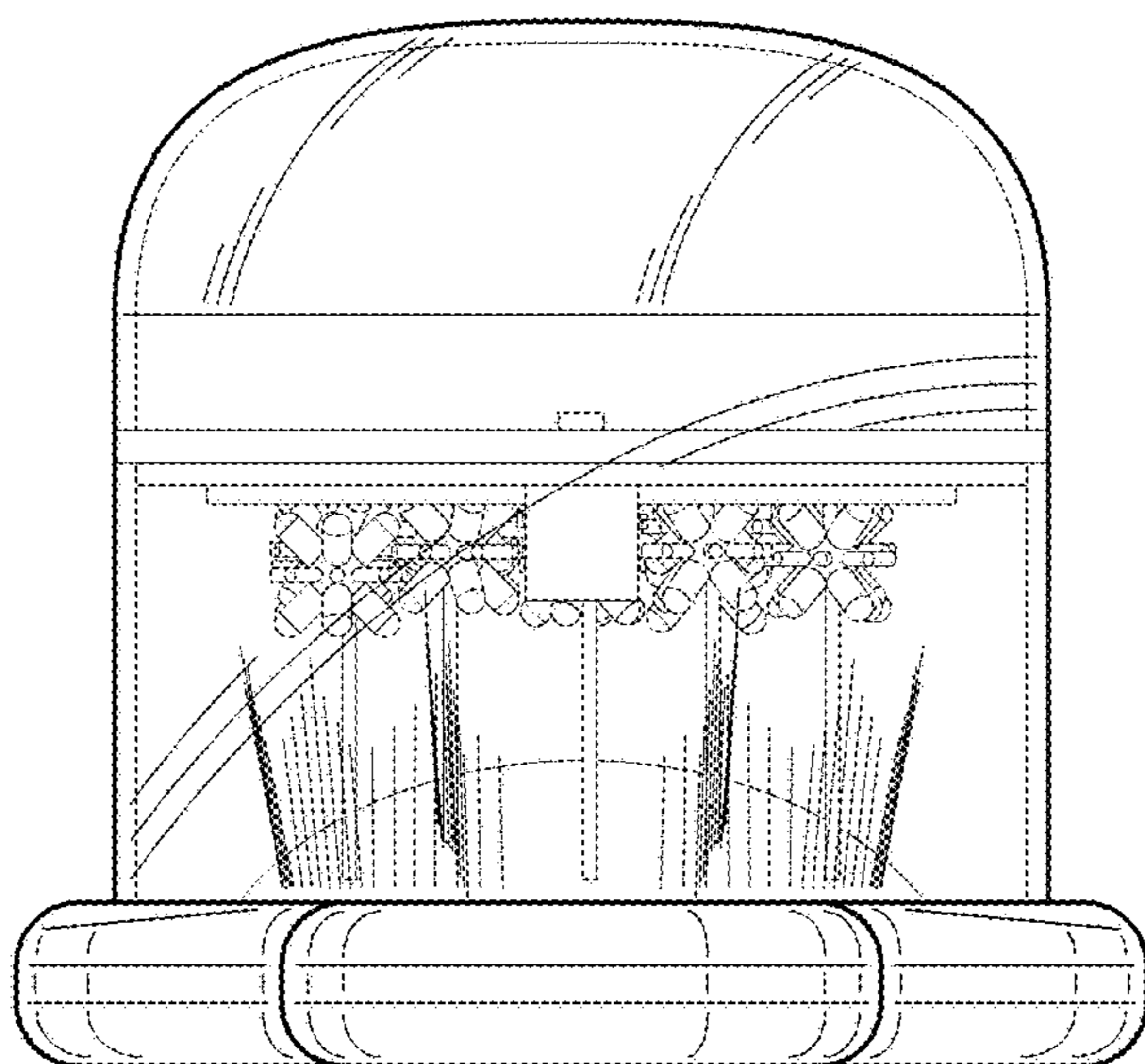


FIG. 6

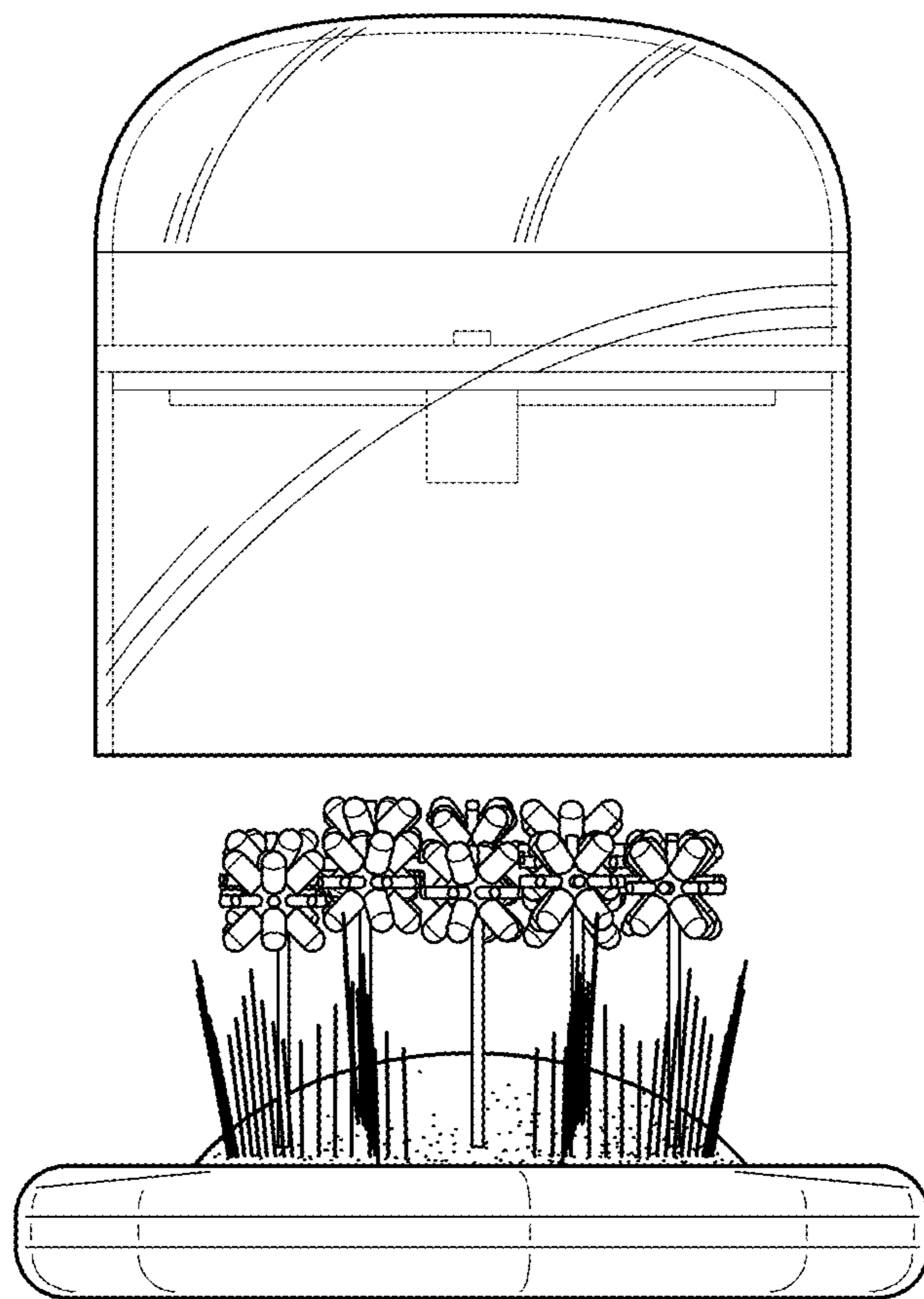


FIG. 7



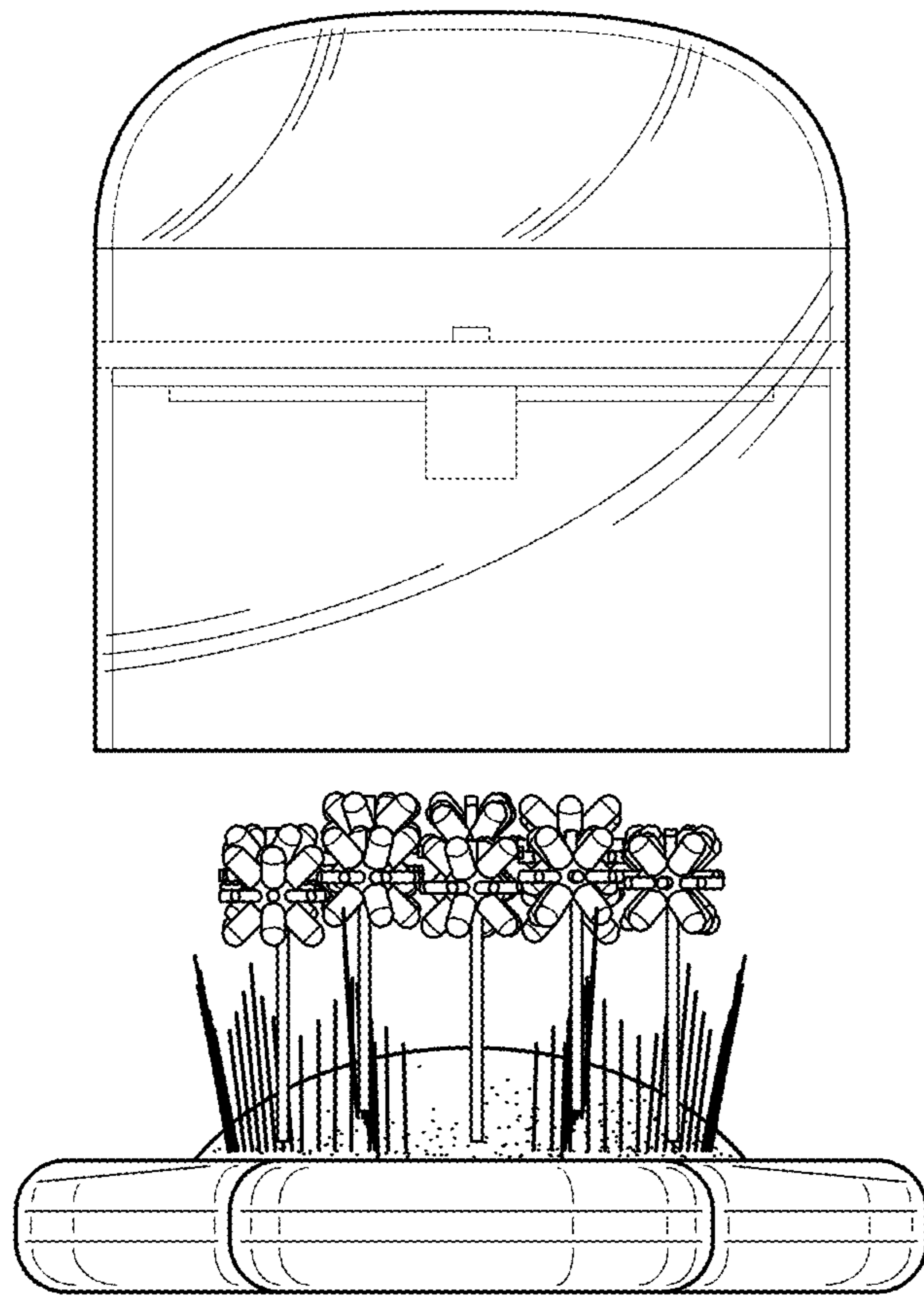


FIG. 8

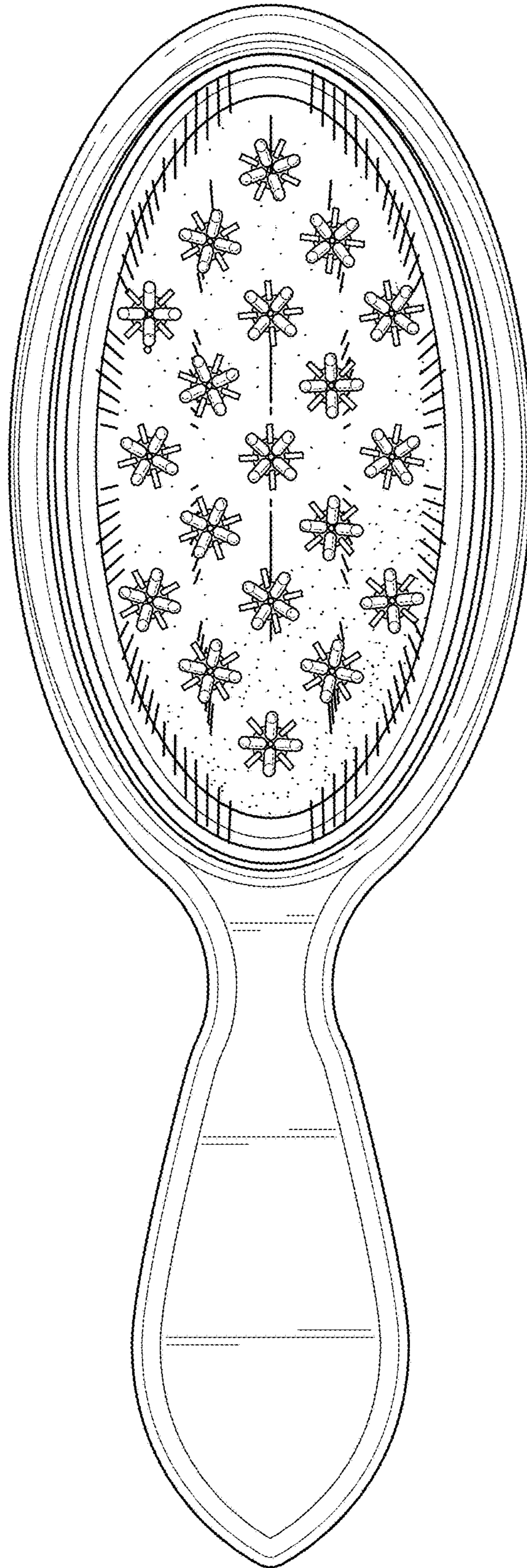


FIG. 9

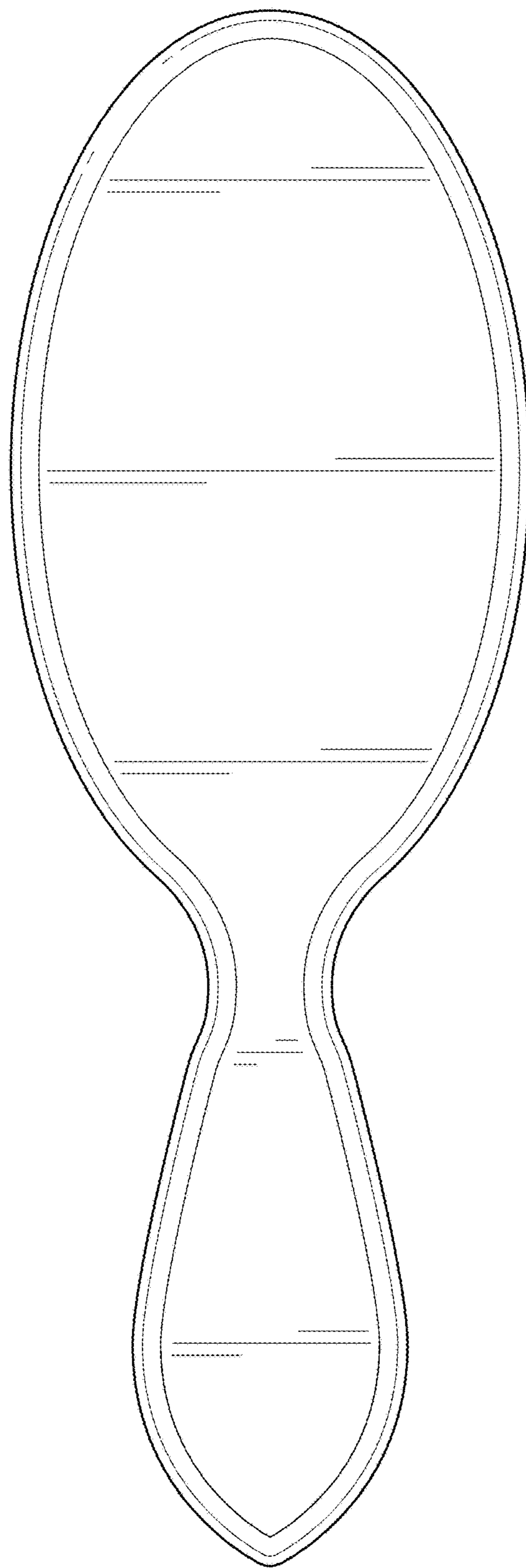


FIG. 10

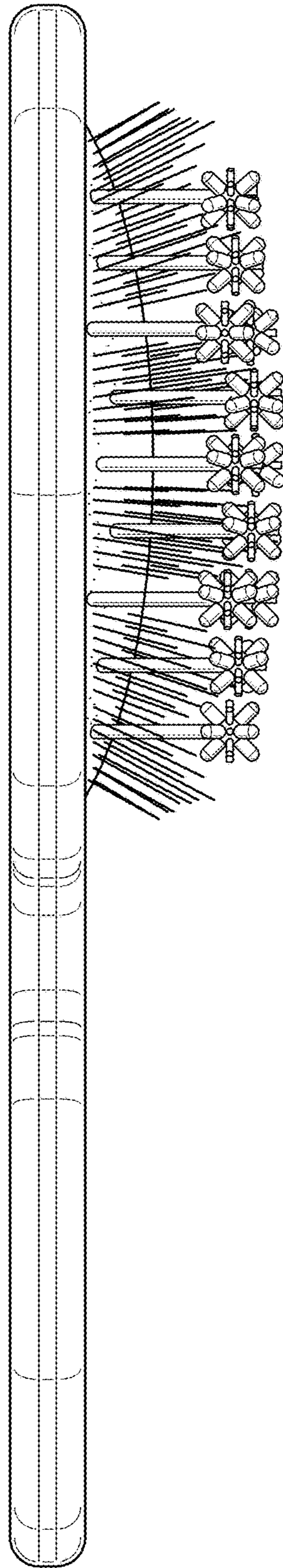


FIG. 11

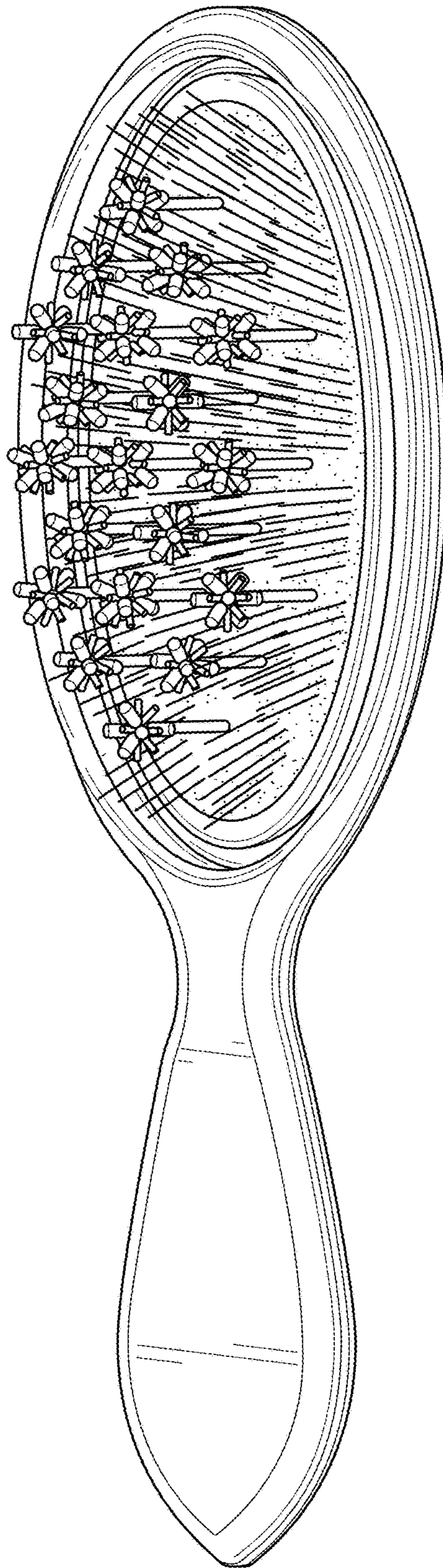


FIG. 12

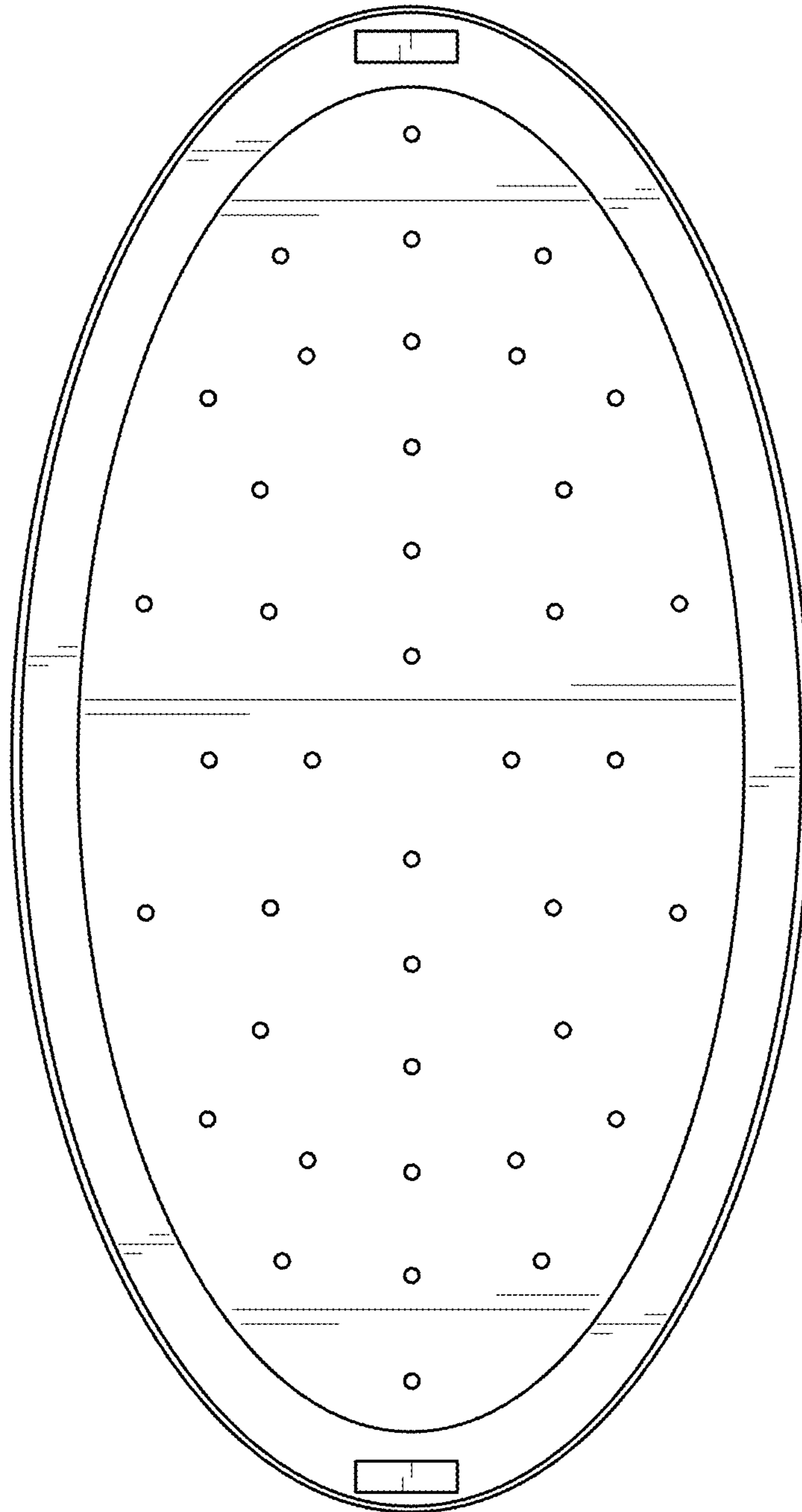


FIG. 13

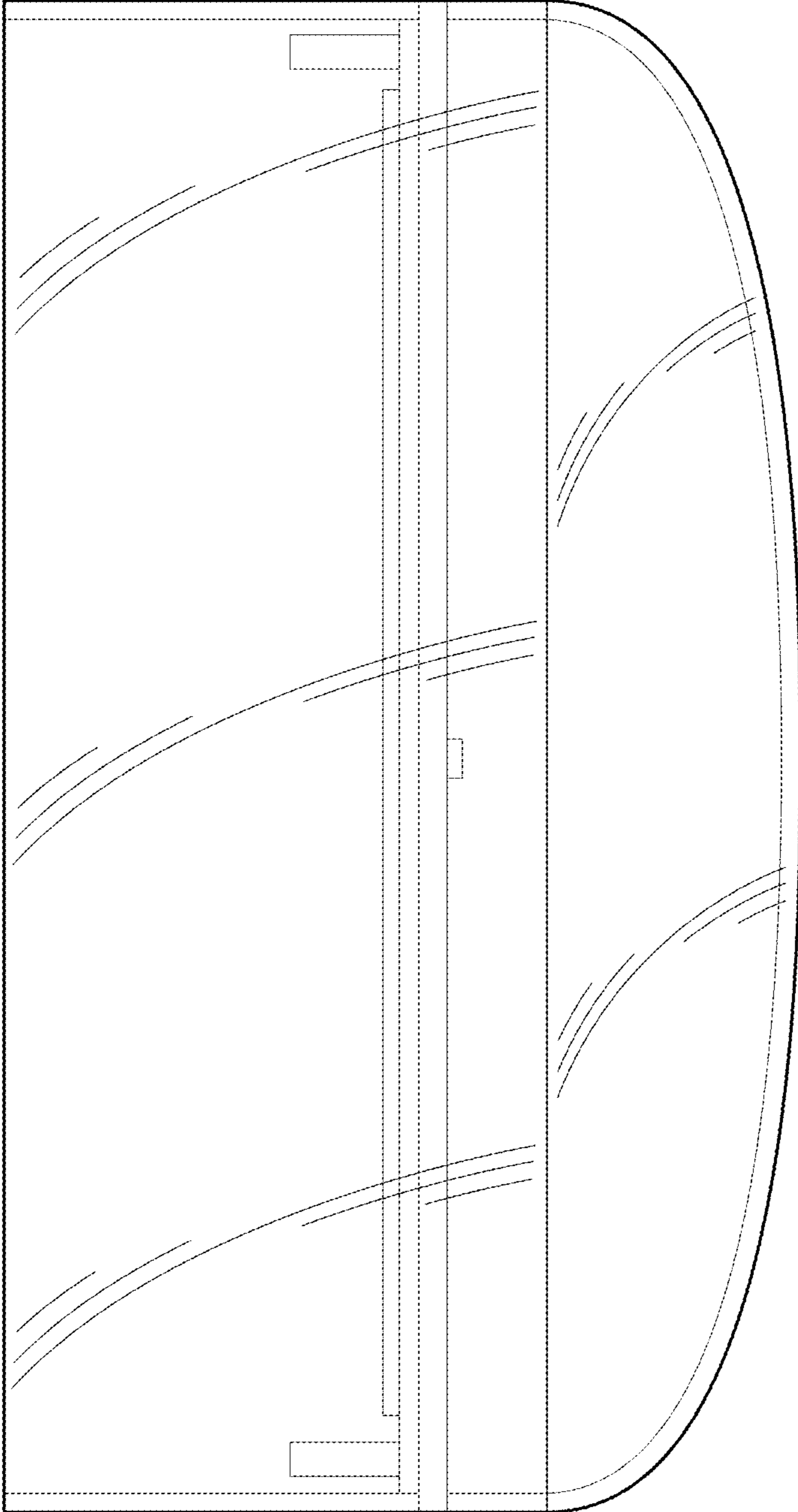


FIG. 14

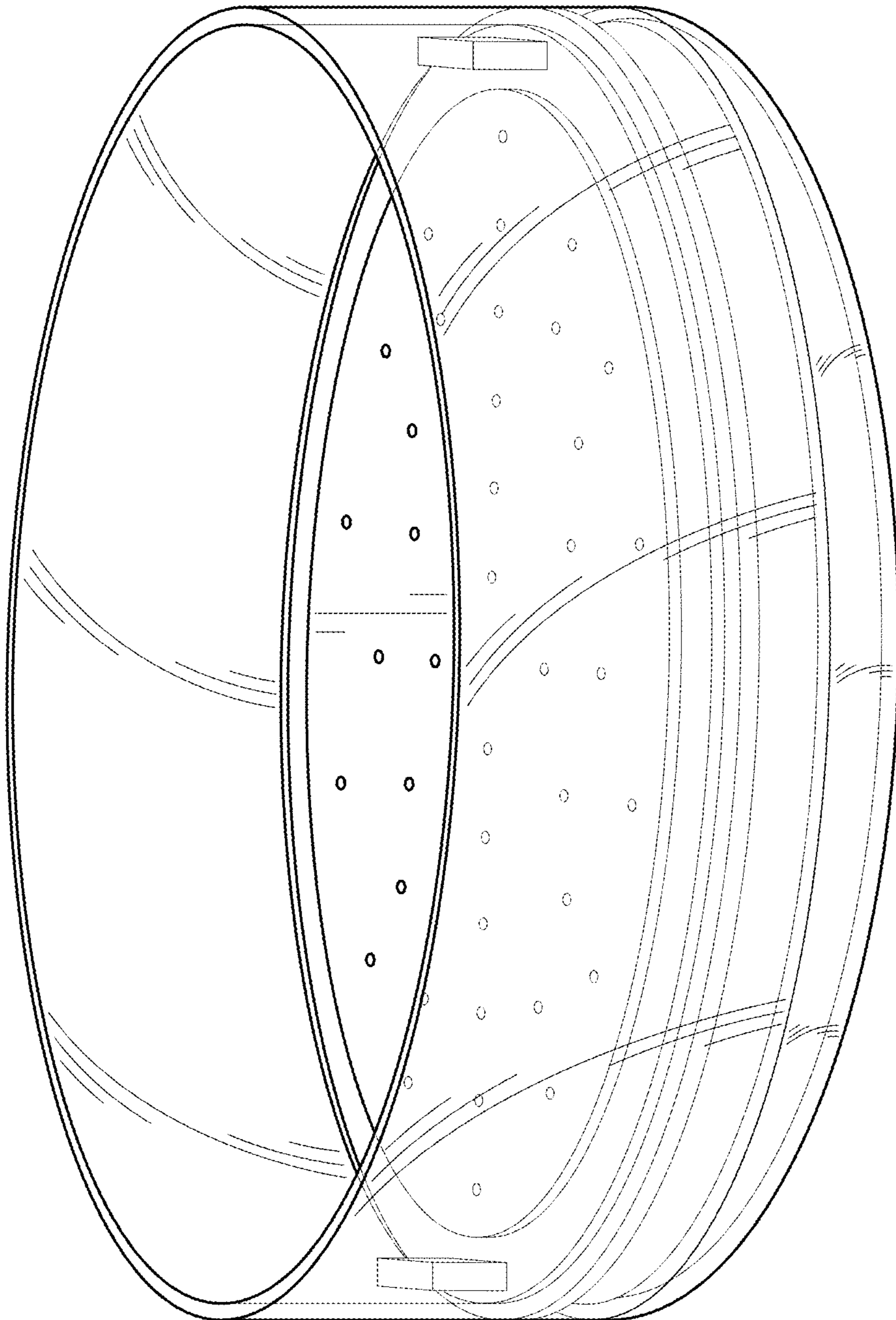


FIG. 15