



US00D823004S

(12) **United States Design Patent**
Kuo

(10) **Patent No.:** **US D823,004 S**
(45) **Date of Patent:** **** Jul. 17, 2018**

(54) **HAIR BRUSH**

(71) Applicant: **Conair Corporation**, Stamford, CT (US)

(72) Inventor: **Chiou-Chern Kuo**, Taipei (TW)

(73) Assignee: **Conair Corporation**, Stamford, CT (US)

(**) Term: **15 Years**

(21) Appl. No.: **29/613,320**

(22) Filed: **Aug. 9, 2017**

(51) **LOC (11) Cl.** **04-02**

(52) **U.S. Cl.**
USPC **D4/128**

(58) **Field of Classification Search**
USPC D4/128, 129, 131, 136, 138, 108, 109, D4/119; D32/35, 51; 15/104.5, 104.16, 15/104.2, 104.31, 104.32, 164, 165, 206; D28/65; D7/682; 452/298, 458
CPC A46B 2200/10; A46B 2200/104; A45D 2/10; A45D 1/00; A46D 1/003; A46D 3/087

See application file for complete search history.

(56) **References Cited**

U.S. PATENT DOCUMENTS

D557,017 S * 12/2007 Kampel D4/128
7,930,793 B2 * 4/2011 Stydahr A46B 7/06
132/120
D653,038 S * 1/2012 Park D4/128
D668,054 S * 10/2012 Julemont D4/128
D679,910 S * 4/2013 Nimsgern D4/128

D720,137 S * 12/2014 Schuler D4/128
D720,138 S * 12/2014 Schuler D4/128
D721,505 S * 1/2015 Schuler D4/128
D724,268 S * 3/2015 Gardella D28/37
D730,060 S * 5/2015 Rennette D4/128
D787,834 S * 5/2017 Cheung D4/128
D794,339 S * 8/2017 Morton D4/138
D798,605 S * 10/2017 Funches D4/128
D805,786 S * 12/2017 Morton D4/133
2012/0152272 A1 * 6/2012 Solovey A45D 2/002
132/242
2014/0075694 A1 * 3/2014 Toh A45D 4/06
15/160

* cited by examiner

Primary Examiner — Austin Murphy
(74) *Attorney, Agent, or Firm* — Ohlandt, Greeley, Ruggiero & Perle, L.L.P.

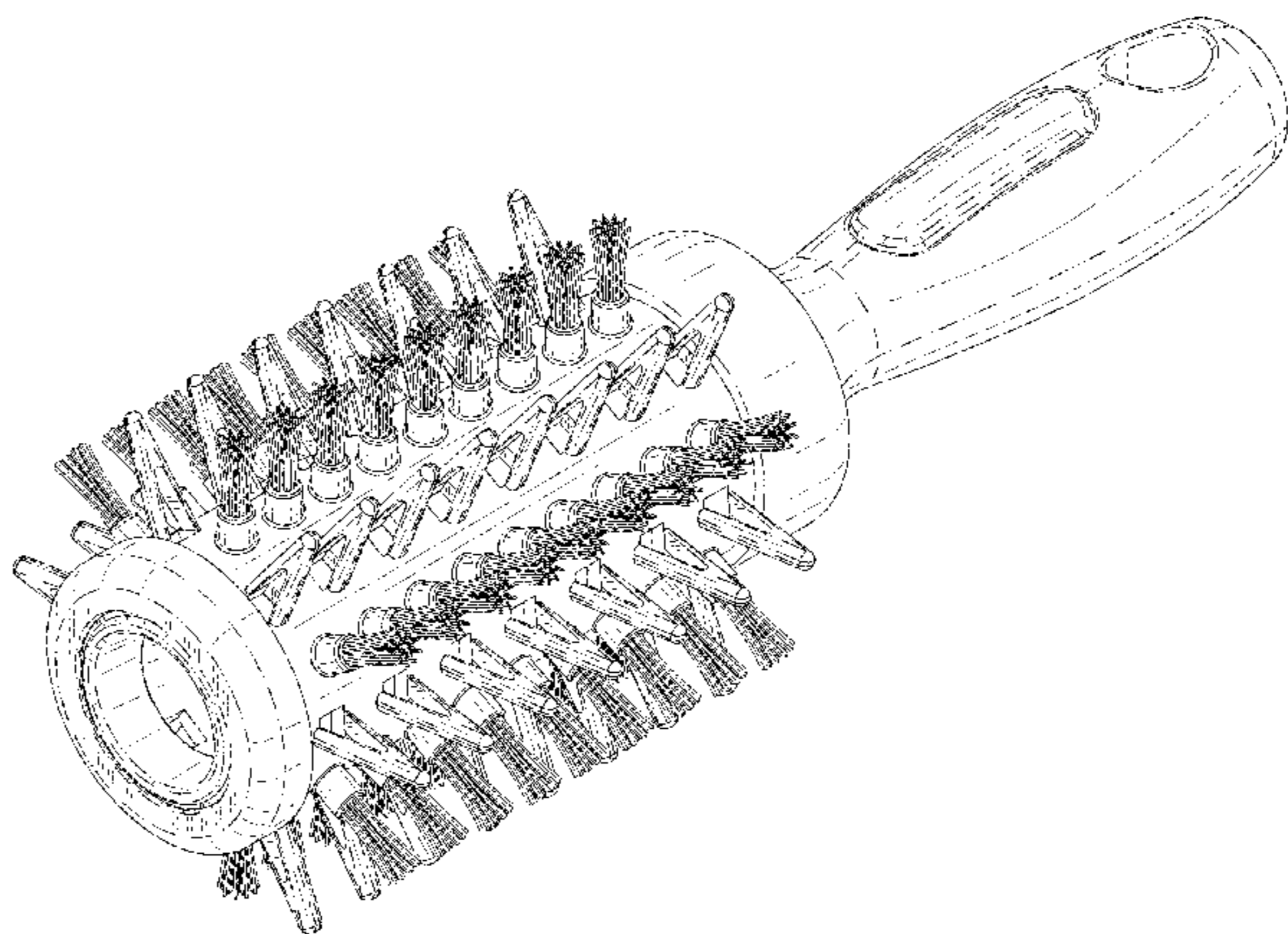
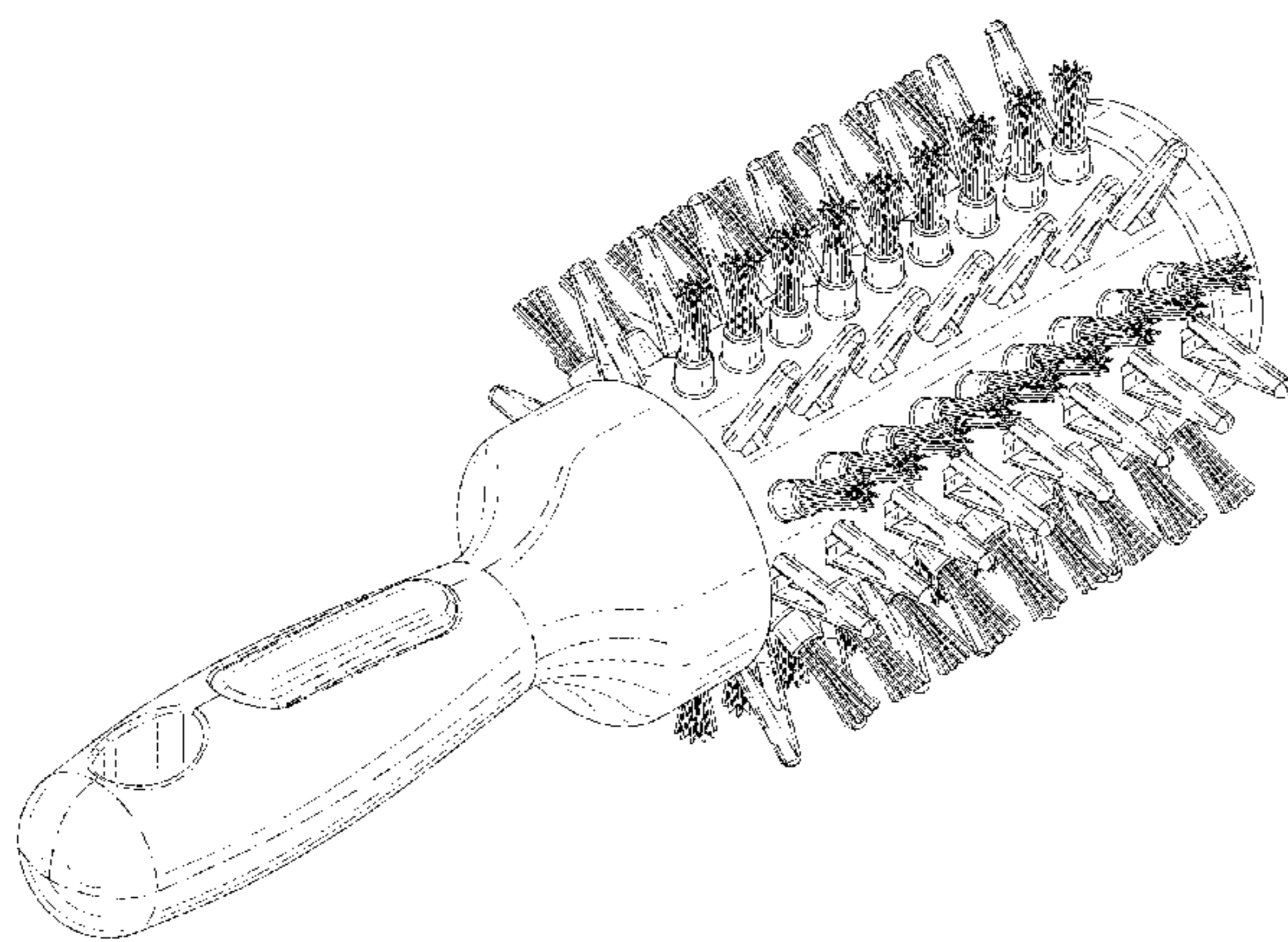
(57) **CLAIM**

The ornamental design for a hair brush, as shown and described.

DESCRIPTION

FIG. 1 is a bottom front perspective view of a new design for a hair brush according to the present invention; FIG. 2 is a top front perspective view thereof; FIG. 3 is a front elevational view thereof; FIG. 4 is a rear elevational view thereof; FIG. 5 is a first side elevational view thereof, wherein a second side elevational view is identical to and opposite of the first side elevational view; FIG. 6 is a top plan view thereof; and, FIG. 7 is a bottom plan view thereof.

1 Claim, 6 Drawing Sheets



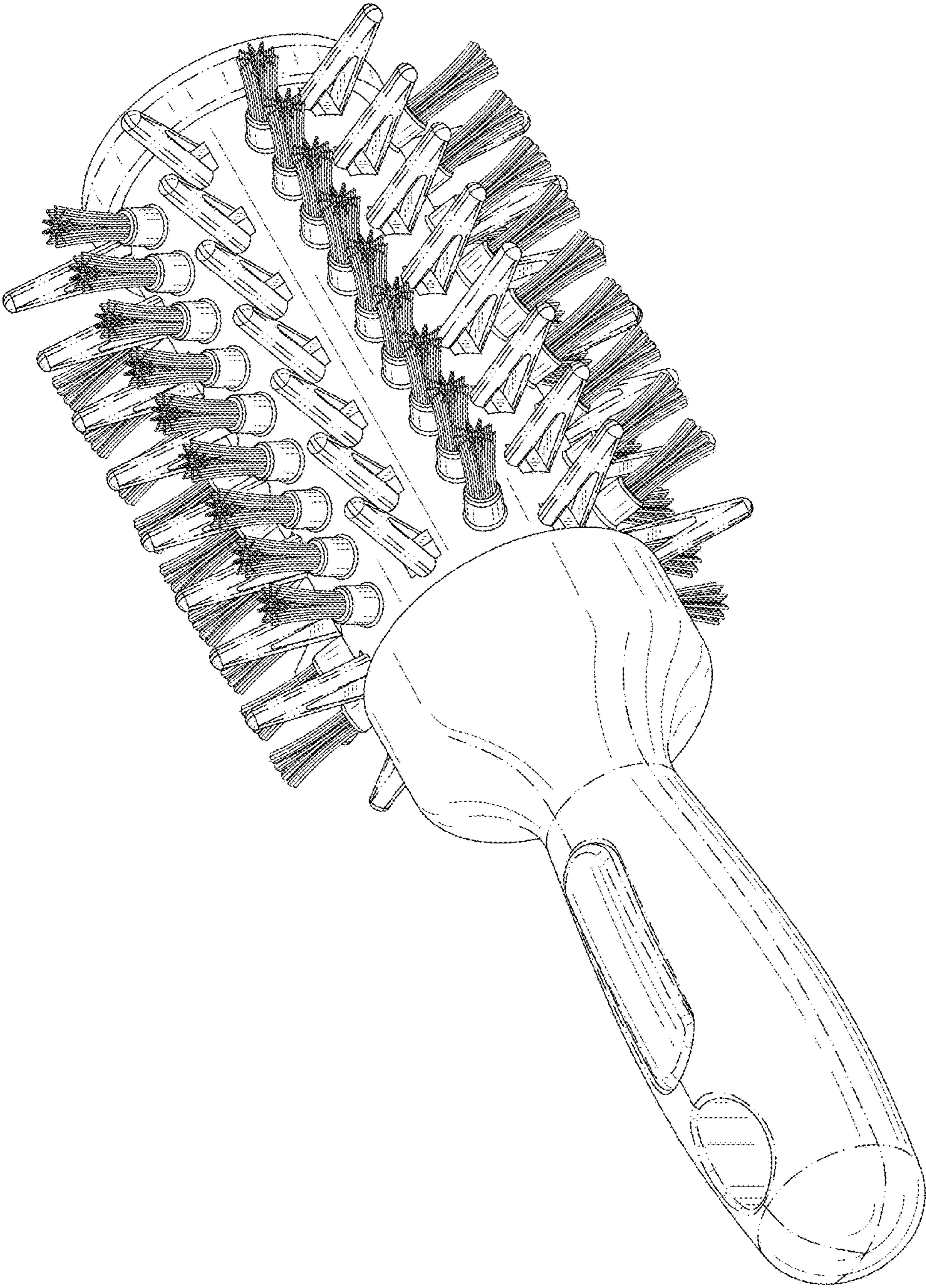


FIG. 1

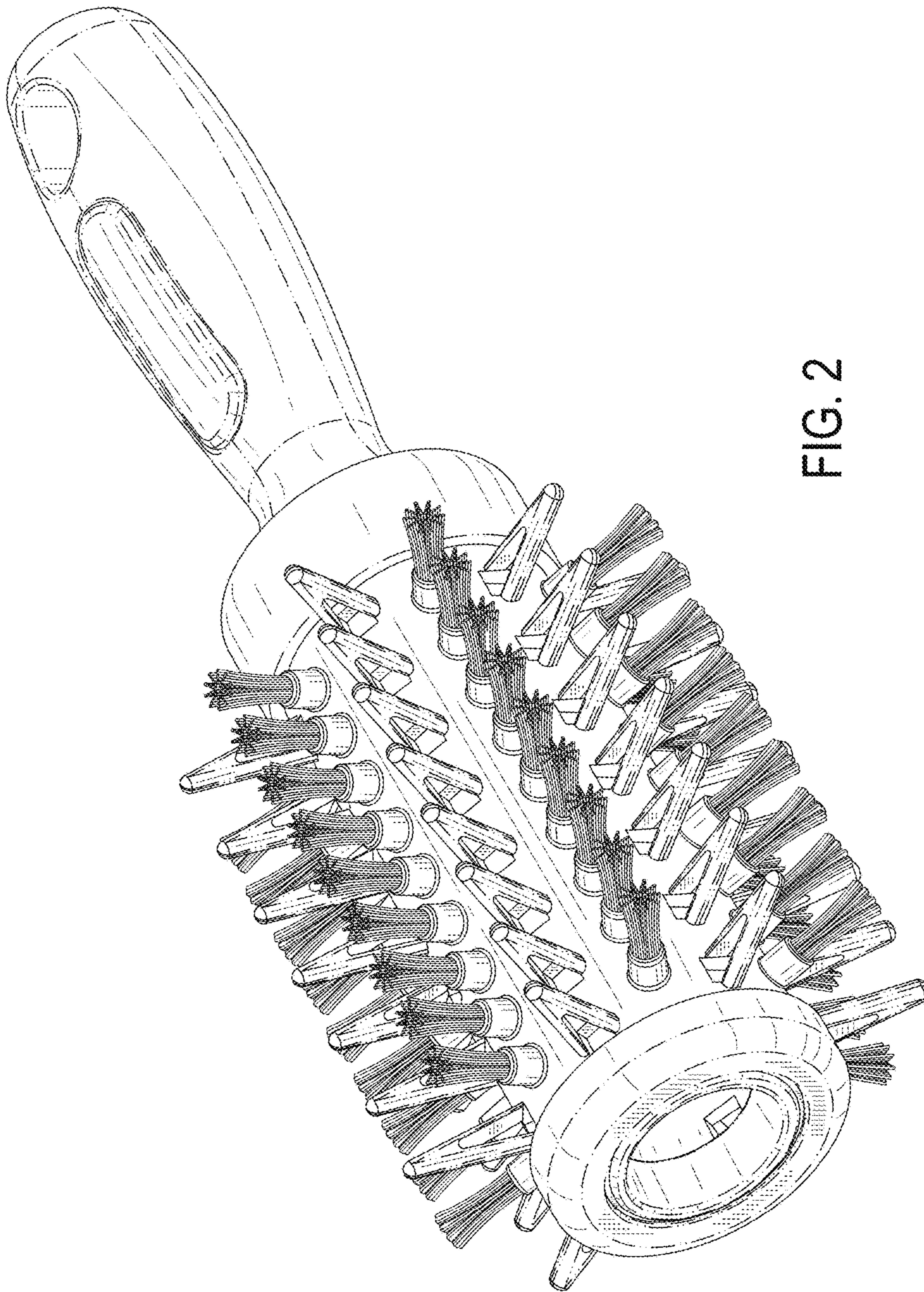


FIG. 2

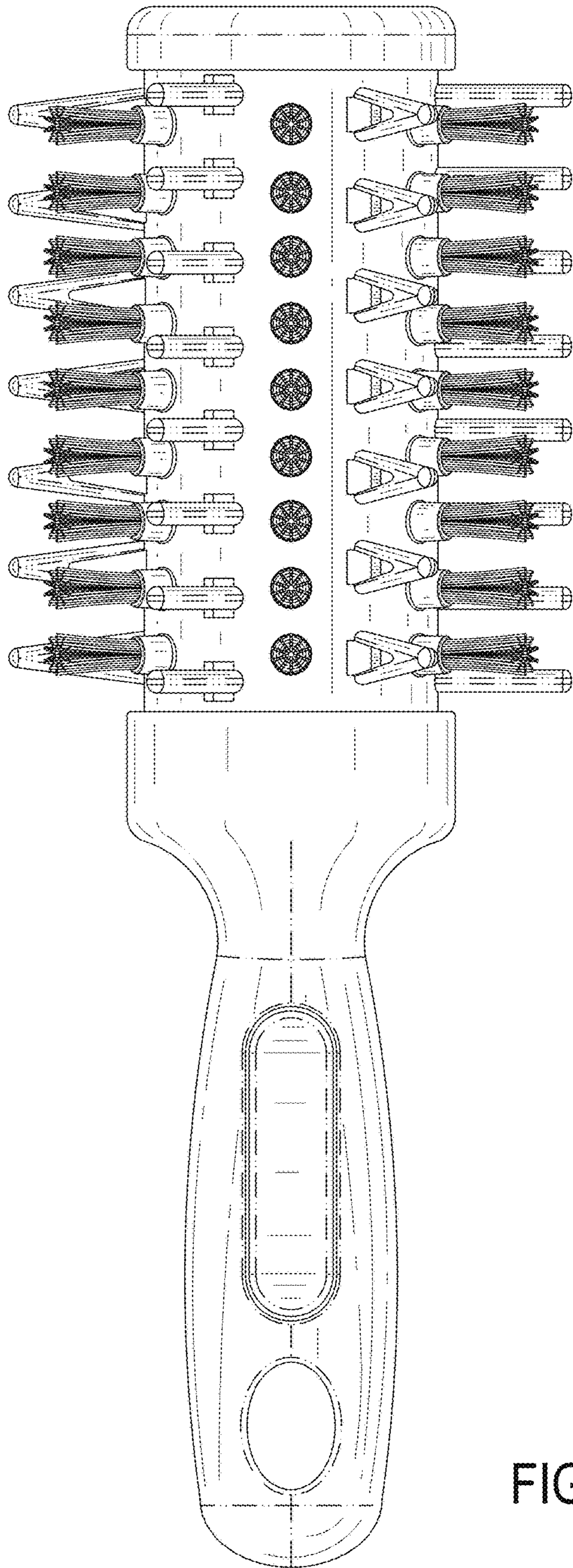


FIG. 3

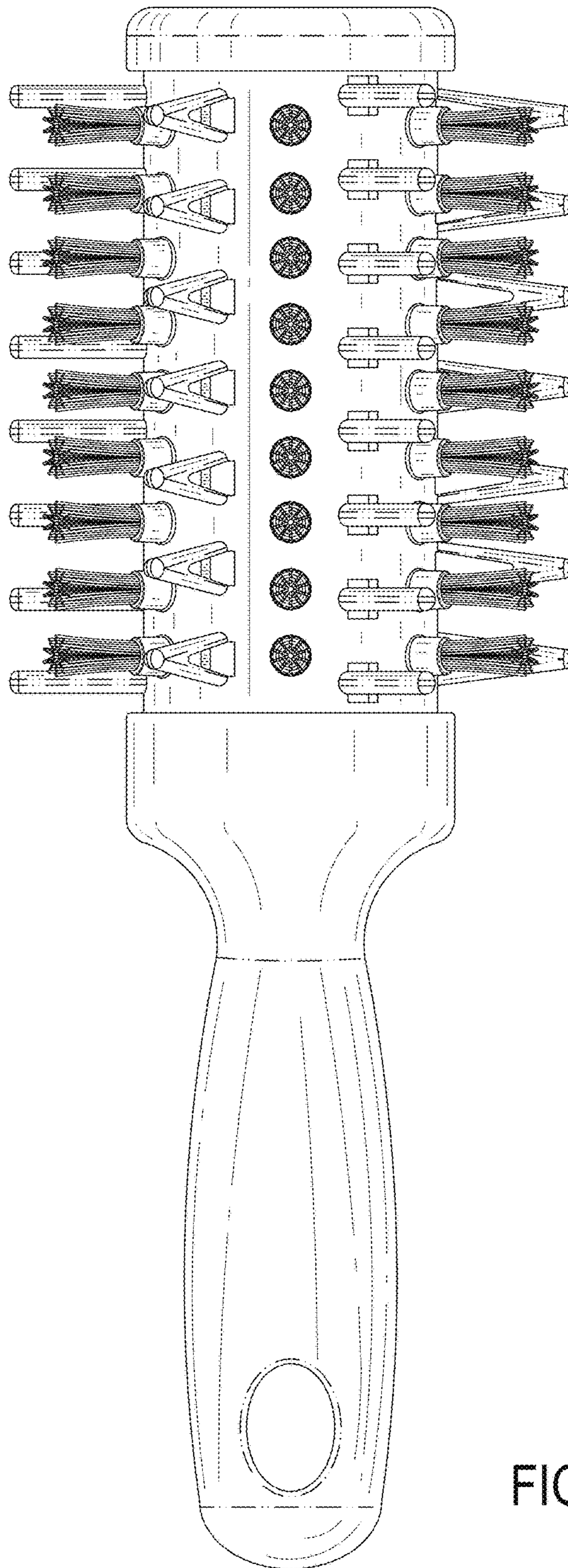


FIG. 4

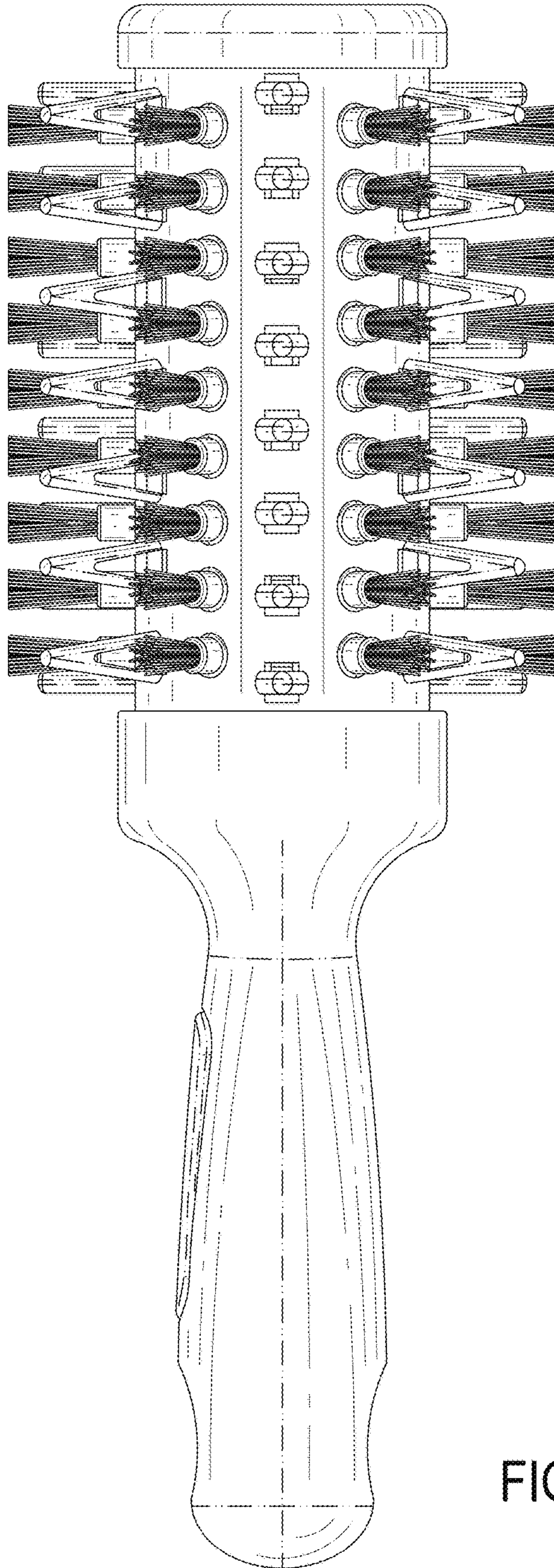


FIG. 5

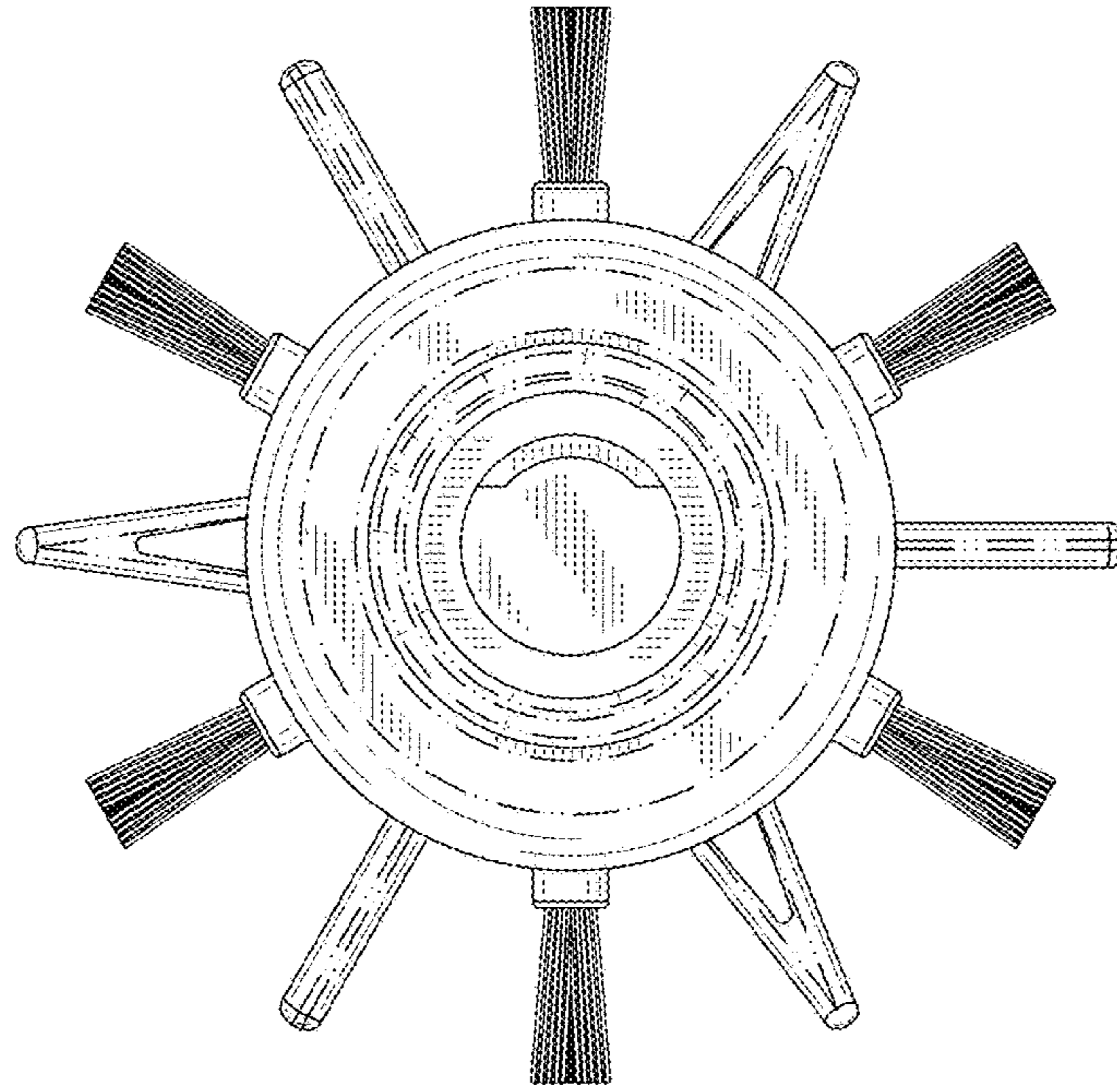


FIG. 6

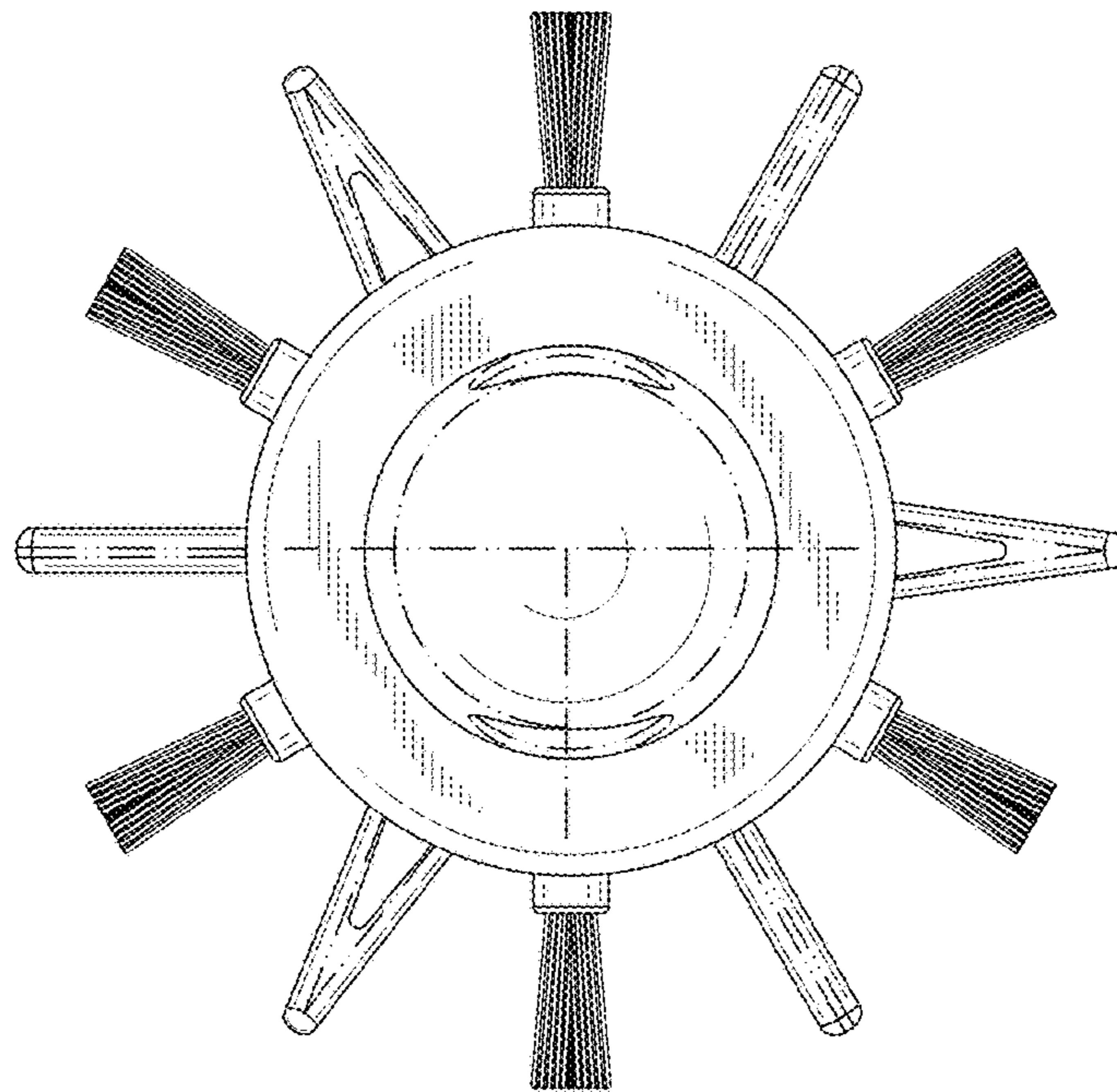


FIG. 7