



US00D823002S

(12) **United States Design Patent**
Rogers et al.

(10) **Patent No.:** **US D823,002 S**
(45) **Date of Patent:** **** Jul. 17, 2018**

- (54) **TOOTHBRUSH COVER**
- (71) Applicants: **Alison Rogers**, Standon (GB); **Rosaline Scott**, London (GB)
- (72) Inventors: **Alison Rogers**, Standon (GB); **Rosaline Scott**, London (GB)
- (**) Term: **15 Years**
- (21) Appl. No.: **35/503,053**
- (22) Filed: **May 2, 2017**
- (80) **Hague Agreement Data**
 Int. Filing Date: **May 2, 2017**
 Int. Reg. No.: **DM/096058**
 Int. Reg. Date: **May 2, 2017**
 Int. Reg. Pub. Date: **May 26, 2017**
- (51) **LOC (11) Cl.** **04-02**
- (52) **U.S. Cl.**
USPC **D4/113**
- (58) **Field of Classification Search**
 USPC D4/113, 199, 104, 101; D28/76, 68;
 15/167.1; D32/41; D24/217, 133;
 D19/901; D6/564, 534
 CPC A46B 9/04; A46B 5/002
 See application file for complete search history.

- D487,803 S * 3/2004 Ripich D24/133
- D499,653 S * 12/2004 Karim D19/901
- D502,399 S * 3/2005 Karim D28/76
- D518,643 S * 4/2006 Kling D4/113
- D545,066 S * 6/2007 Bustos D28/68
- D572,488 S * 7/2008 Sakurai D4/199
- D646,897 S * 10/2011 Nanda D4/113
- D670,506 S * 11/2012 Kayser D4/113
- D727,035 S * 4/2015 Herrmann D4/199
- D727,627 S * 4/2015 DeChristofaro D4/199
- D750,895 S * 3/2016 Jay D24/217
- 9,289,056 B2 * 3/2016 Castaneda A46B 9/04
- D762,991 S * 8/2016 Kim D4/199
- D777,444 S * 1/2017 Sedic D4/101
- D778,623 S * 2/2017 Jain D4/199
- D785,951 S * 5/2017 Rosenzweig D4/199
- D797,469 S * 9/2017 Tepfenhart D6/564
- D814,796 S * 4/2018 Xi D4/104
- 2003/0019063 A1 * 1/2003 Abraham A46B 5/002
15/167.1

* cited by examiner

Primary Examiner — Rhea Shields

(57) **CLAIM**

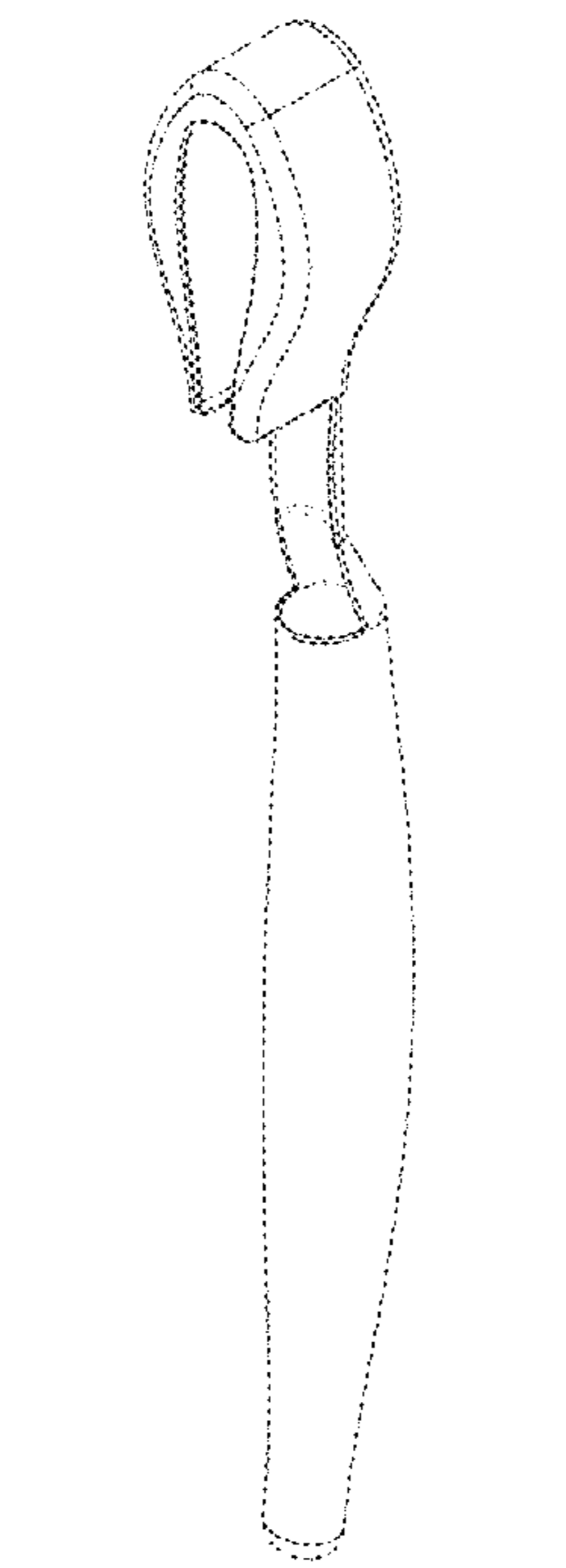
The ornamental design for the toothbrush cover, as shown and described.

DESCRIPTION

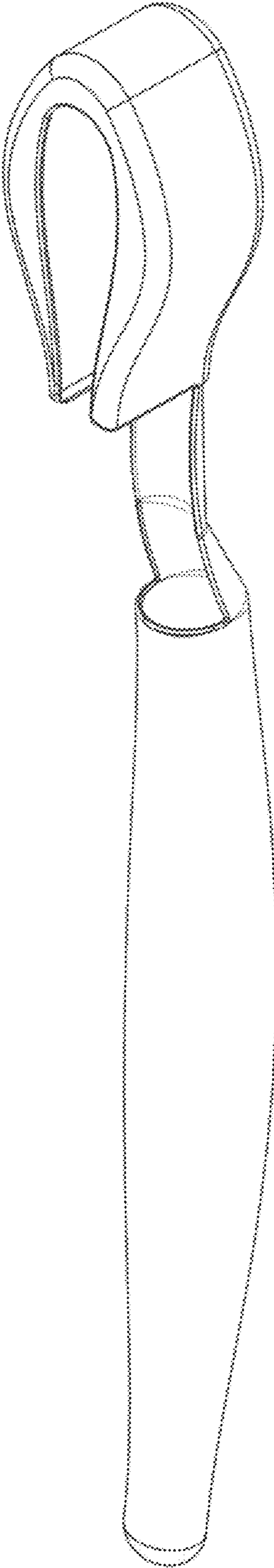
- 1. Toothbrush cover
- 1.1 : Perspective
- 1.2 : Right
- 1.3 : Left
- 1.4 : Back
- 1.5 : Front
- 1.6 : Bottom
- 1.7 : Top

1 Claim, 7 Drawing Sheets

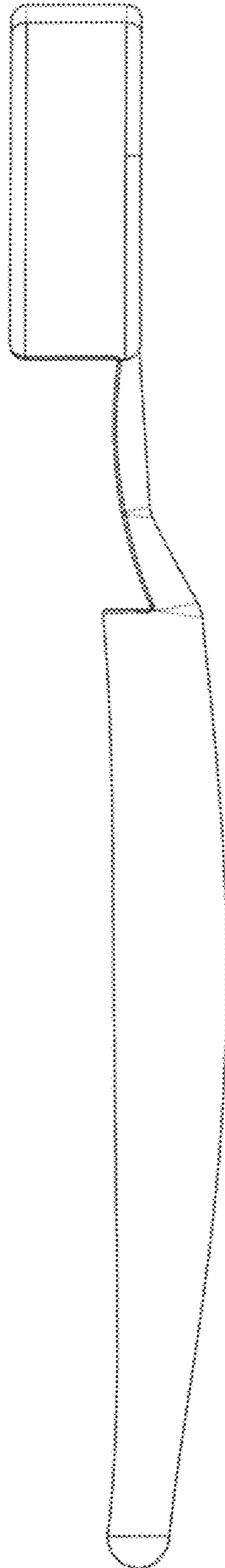
- (56) **References Cited**
 U.S. PATENT DOCUMENTS
 D353,052 S * 12/1994 Vap D19/901
 D454,431 S * 3/2002 Kling D4/113
 D463,916 S * 10/2002 Mulcahy D4/113
 D477,948 S * 8/2003 Paik D6/534



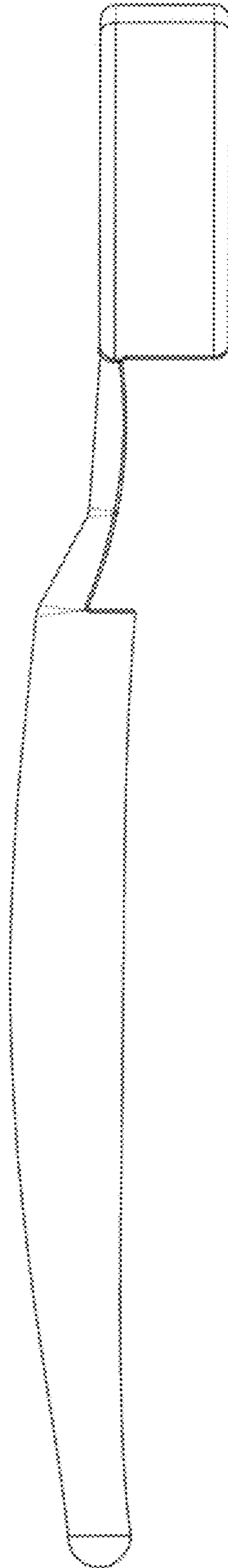
1.1



1.2



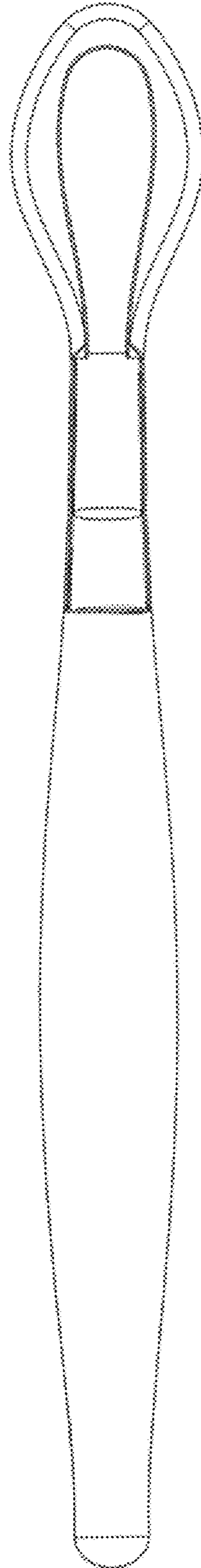
1.3



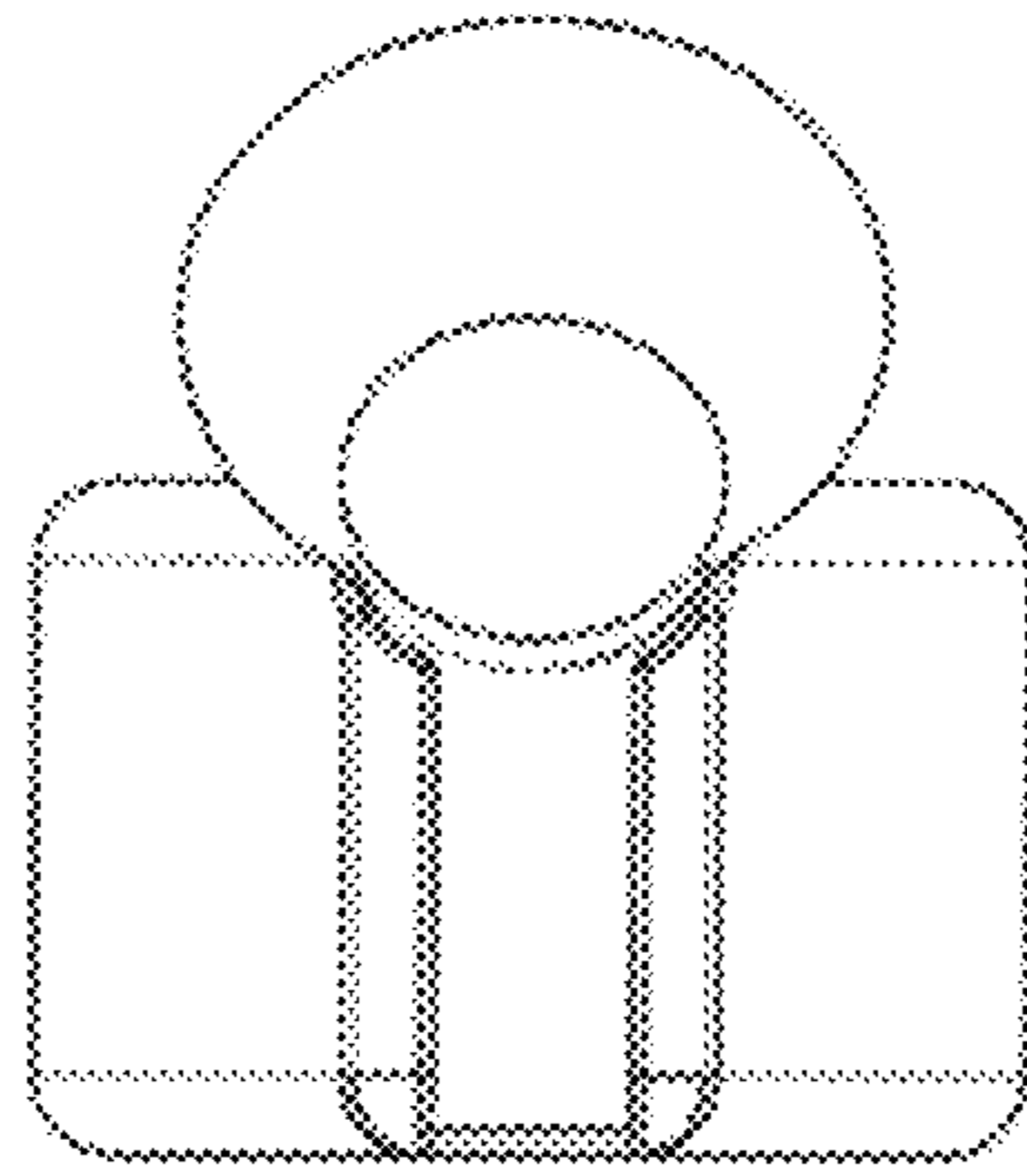
1.4



1.5



1.6



1.7

