



US00D822999S

(12) **United States Design Patent** (10) **Patent No.:** **US D822,999 S**  
**Seiders et al.** (45) **Date of Patent:** **\*\* Jul. 17, 2018**

- (54) **BAG**
- (71) Applicant: **YETI Coolers, LLC**, Austin, TX (US)
- (72) Inventors: **Roy Joseph Seiders**, Austin, TX (US);  
**Dustin Bullock**, Austin, TX (US)
- (73) Assignee: **YETI Coolers, LLC**, Austin, TX (US)
- (\*\*) Term: **15 Years**
- (21) Appl. No.: **29/595,116**
- (22) Filed: **Feb. 24, 2017**
- (51) **LOC (11) Cl.** ..... **03-01**
- (52) **U.S. Cl.**  
USPC ..... **D3/318**
- (58) **Field of Classification Search**  
USPC ..... D3/232–233, 240–243, 245–246, 318  
CPC ..... A45C 1/024; A45C 3/06  
See application file for complete search history.

- 6,409,066 B1 6/2002 Schneider et al.
- 6,640,856 B1 11/2003 Tucker
- D491,354 S 6/2004 Chapelier
- (Continued)

FOREIGN PATENT DOCUMENTS

- CA 2483802 A1 4/2006
- CA 2499291 A1 9/2006
- (Continued)

OTHER PUBLICATIONS

Reusable Shopping Bag, ADK Packworks™ The Packbasket™ Reusable Shopping Bag, [retrieved Jun. 13, 2017], Date unknown but at least as early as Jun. 13, 2017.  
(Continued)

*Primary Examiner* — Holly H Baynham  
(74) *Attorney, Agent, or Firm* — Banner & Witcoff, Ltd.

(57) **CLAIM**

The ornamental design for a bag, as shown and described.

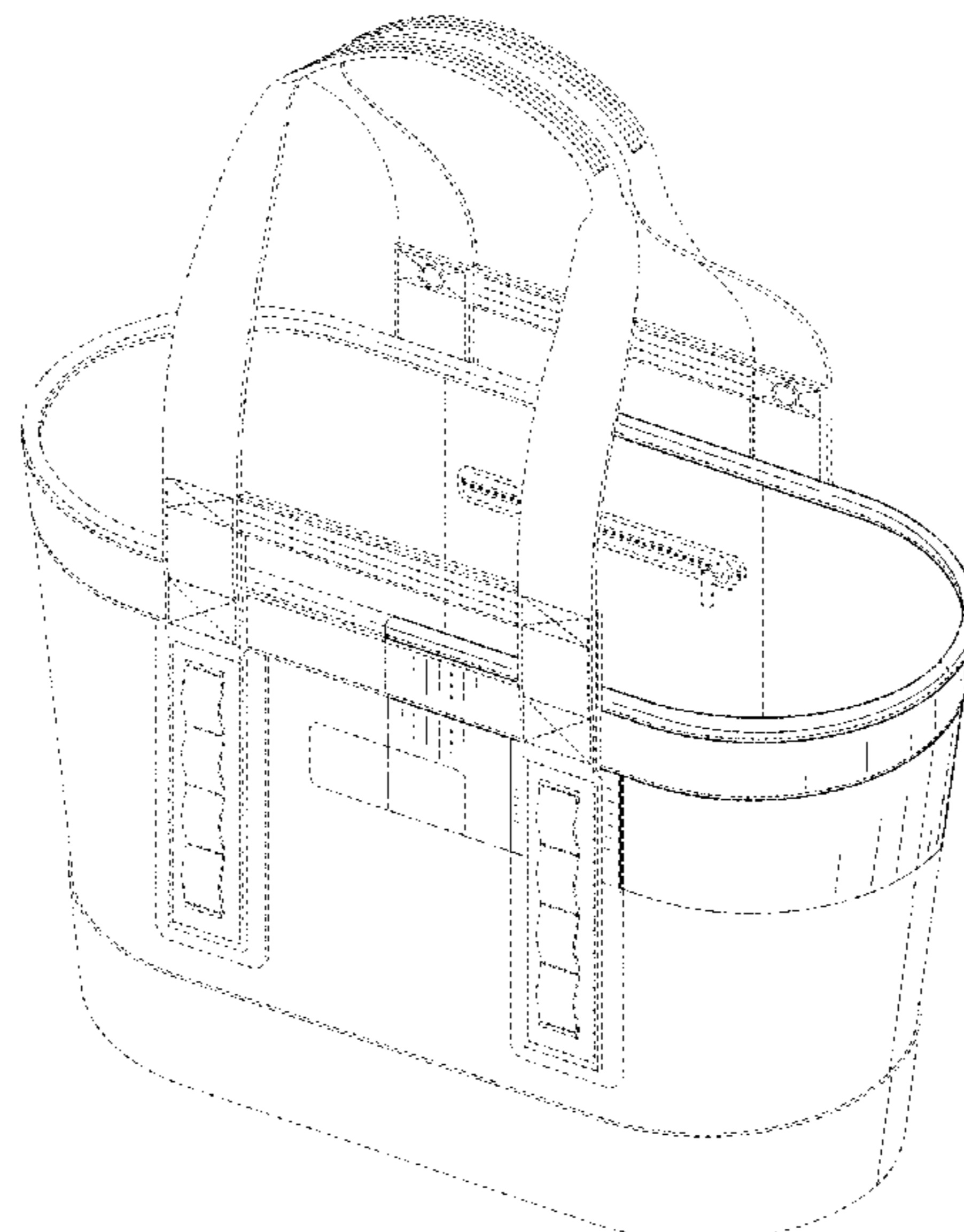
**DESCRIPTION**

FIG. 1 is a top, front, right perspective view of a bag showing our new design;  
 FIG. 2 is a front view thereof;  
 FIG. 3 is a right side view thereof;  
 FIG. 4 is a rear view thereof;  
 FIG. 5 is a left side view thereof;  
 FIG. 6 is a top view thereof; and,  
 FIG. 7 is a bottom view thereof.  
 The even-length broken lines within the shaded area represent stitching. The uneven-length broken lines represent unclaimed boundaries of the claimed design. The even-length broken lines showing the remainder of the bag represent unclaimed subject matter and form no part of the claimed design.

**1 Claim, 5 Drawing Sheets**

(56) **References Cited**  
U.S. PATENT DOCUMENTS

|             |         |                 |
|-------------|---------|-----------------|
| 1,113,757 A | 10/1914 | Crutcher et al. |
| 1,378,928 A | 5/1921  | Witzel          |
| 1,386,557 A | 8/1921  | Edwards et al.  |
| 2,188,899 A | 2/1940  | Hebbard et al.  |
| 2,483,802 A | 10/1949 | Mogil           |
| 2,499,291 A | 2/1950  | Mogil           |
| 2,548,064 A | 4/1951  | Reinhart        |
| 2,575,191 A | 11/1951 | Seipp           |
| 4,116,253 A | 9/1978  | Watsky          |
| 4,211,091 A | 7/1980  | Campbell        |
| D281,546 S  | 12/1985 | Bradshaw        |
| 4,723,300 A | 2/1988  | Aranow          |
| 4,812,054 A | 3/1989  | Kirkendall      |
| 4,961,522 A | 10/1990 | Weber           |
| 5,490,396 A | 2/1996  | Morris          |
| 5,507,542 A | 4/1996  | Eden            |
| 5,813,445 A | 9/1998  | Christman       |
| 5,848,734 A | 12/1998 | Melk            |



(56)

References Cited

U.S. PATENT DOCUMENTS

6,810,933 B2 11/2004 Gordon et al.  
 7,071,150 B2 7/2006 Genuyt et al.  
 7,073,942 B2 7/2006 Vazquez  
 D526,120 S 8/2006 Lee et al.  
 D535,820 S 1/2007 Kamiya  
 D536,170 S 2/2007 Elson  
 D587,010 S 2/2009 Deck  
 7,581,886 B2 9/2009 Nitti  
 7,597,478 B2 10/2009 Pruchnicki et al.  
 D603,606 S 11/2009 Wang  
 7,682,080 B2 3/2010 Mogil  
 D617,553 S 6/2010 Shaw  
 7,762,294 B2 7/2010 Wang  
 D621,609 S 8/2010 Hasty  
 D629,612 S 12/2010 Weldon  
 D630,844 S 1/2011 Wang et al.  
 D632,074 S 2/2011 Chan et al.  
 D637,809 S \* 5/2011 Meldeau ..... D3/232  
 D651,397 S 1/2012 Lett  
 8,092,087 B2 1/2012 Simhony et al.  
 8,132,601 B2 3/2012 Wang  
 D663,522 S 7/2012 Schiffman  
 D673,772 S 1/2013 Munson et al.  
 D684,767 S 6/2013 Gerbi  
 D690,100 S 9/2013 Alfaks  
 D695,568 S 12/2013 Hayes  
 D701,041 S 3/2014 Burnett  
 D711,096 S 8/2014 Hanna  
 D711,098 S 8/2014 Rossignuolo  
 D711,100 S 8/2014 Dingizian  
 D717,041 S 11/2014 Pulliam  
 D732,348 S 6/2015 Seiders et al.  
 D732,349 S 6/2015 Seiders et al.  
 D732,350 S 6/2015 Seiders et al.  
 D732,899 S 6/2015 Seiders et al.  
 D739,654 S 9/2015 Brouard  
 D743,699 S 11/2015 Wieden  
 D745,268 S 12/2015 Slimane  
 9,254,022 B2 2/2016 Meldeau et al.  
 D752,347 S 3/2016 Seiders et al.  
 D752,860 S 4/2016 Barilaro et al.  
 9,307,814 B2 4/2016 Pulliam  
 D758,717 S 6/2016 Joo et al.  
 D760,494 S 7/2016 Harvey-Pankey  
 D761,561 S 7/2016 Cheng  
 D762,378 S 8/2016 Domotor et al.  
 D763,570 S 8/2016 Potts  
 D763,575 S 8/2016 Tiscareno-Rippe et al.  
 D764,791 S \* 8/2016 Patel ..... D3/232  
 D765,394 S 9/2016 Moore  
 D768,987 S 10/2016 Blumenfeld  
 D769,616 S 10/2016 Keene  
 D770,759 S 11/2016 Gamble et al.  
 D770,763 S 11/2016 Joo et al.  
 D773,813 S 12/2016 Jakubowski  
 D774,747 S 12/2016 Gamble et al.  
 D778,045 S 2/2017 Ruddis  
 9,578,937 B2 2/2017 Kern et al.  
 D784,010 S \* 4/2017 Dumas ..... D3/232  
 D787,823 S \* 5/2017 Nair ..... D3/232  
 D789,082 S \* 6/2017 Barilaro ..... D3/232  
 2005/0028910 A1 2/2005 Duty  
 2006/0198562 A1 9/2006 Mogil  
 2006/0201979 A1 9/2006 Achilles  
 2010/0084443 A1 4/2010 Adelman  
 2010/0200450 A1 8/2010 Weed  
 2010/0282378 A1 11/2010 Scozzafava  
 2011/0036473 A1 2/2011 Chan et al.

2011/0167863 A1 7/2011 Herrbold  
 2011/0283519 A1 11/2011 Pranger  
 2011/0311166 A1 12/2011 Pascua  
 2012/0328220 A1 12/2012 Kayata  
 2014/0369629 A1 12/2014 De La Fuente Lara  
 2015/0225164 A1 8/2015 Seiders et al.  
 2015/0265020 A1 9/2015 McCue et al.  
 2016/0338462 A1 11/2016 Hayashi  
 2017/0017596 A1 1/2017 Jang et al.

FOREIGN PATENT DOCUMENTS

CA 2548064 A1 11/2007  
 CN 2188899 Y 2/1995  
 CN 1378928 A 11/2002  
 CN 302137314 10/2012  
 CN 302868215 7/2014  
 CN 302877656 7/2014  
 EM 000122668-0002 5/2004  
 EM 001067250-0003 2/2009  
 EM 001188460-0003 2/2010  
 EM 001188460-0004 2/2010  
 EM 001909490-0001 8/2011  
 EM 001952722-0008 11/2011  
 EM 002073452-0001 8/2012  
 EM 002085308-0003 8/2012  
 EM 002163527-0017 1/2013  
 EM 002225706-0001 5/2013  
 EM 002262436-0001 7/2013  
 EM 002264697-0002 7/2013  
 EM 002284729-0004 8/2013  
 EM 002476853-0001 6/2014  
 EM 002476853-0002 6/2014  
 EM 002530519-0001 9/2014  
 EM 002605345-0004 12/2014  
 EM 002609404-0001 1/2015  
 EM 002676536-0001 6/2015  
 EM 003117324-0009 5/2016  
 EM 003329929-0001 8/2016  
 EM 003409044-0008 10/2016  
 EM 003504331-0027 12/2016  
 EM 003733021-0001 2/2017  
 EP D037545 A2 10/1981  
 EP 1386557 A1 2/2004  
 FR 1113757 A 4/1956  
 WO 07071150 A1 6/2007  
 WO 17017596 A1 2/2017

OTHER PUBLICATIONS

Frakta Shopping bag, <http://www.ikea.com/us/en/catalog/products/17228340/>, [retrieved Jun. 13, 2017], Date unknown but at least as early as Jun. 13, 2017.  
 3Pcs Eco Friendly Large Capacity Reuseable Shopping bag, <http://www.dhgate.com/product/3pcs-eco-friendly-large-capacity-reuseable/395600522.html#s2-28-1;disc%7C2511216197>, [retrieved Jun. 13, 2017], Date unknown but as early as Jun. 13, 2017.  
 Wholesale Shopping Bag, <http://www.dhgate.com/product/2017-factory-wholesale-shopping-bags-polyester/394587619.html#s1-9-1;disc%7C3274647288>, [retrieved Jun. 13, 2017], Date unknown but as early as Jun. 13, 2017.  
 Press Release—Portable Hopper 30 Cooler [online], [retrieved Jun. 14, 2017], Retrieved from Internet <URL: <http://yeti.com/press-releases/hopper-30>>; 2 color sheets, Dated Jul. 9, 2014.  
 YETI Reinvents the Hopper [online], [retrieved Jun. 14, 2017], Retrieved from Internet <URL: <http://yeti.com/press-releases/hopper-two-soft-cooler>>; 2 color sheets, Dated Feb. 1, 2017.

\* cited by examiner

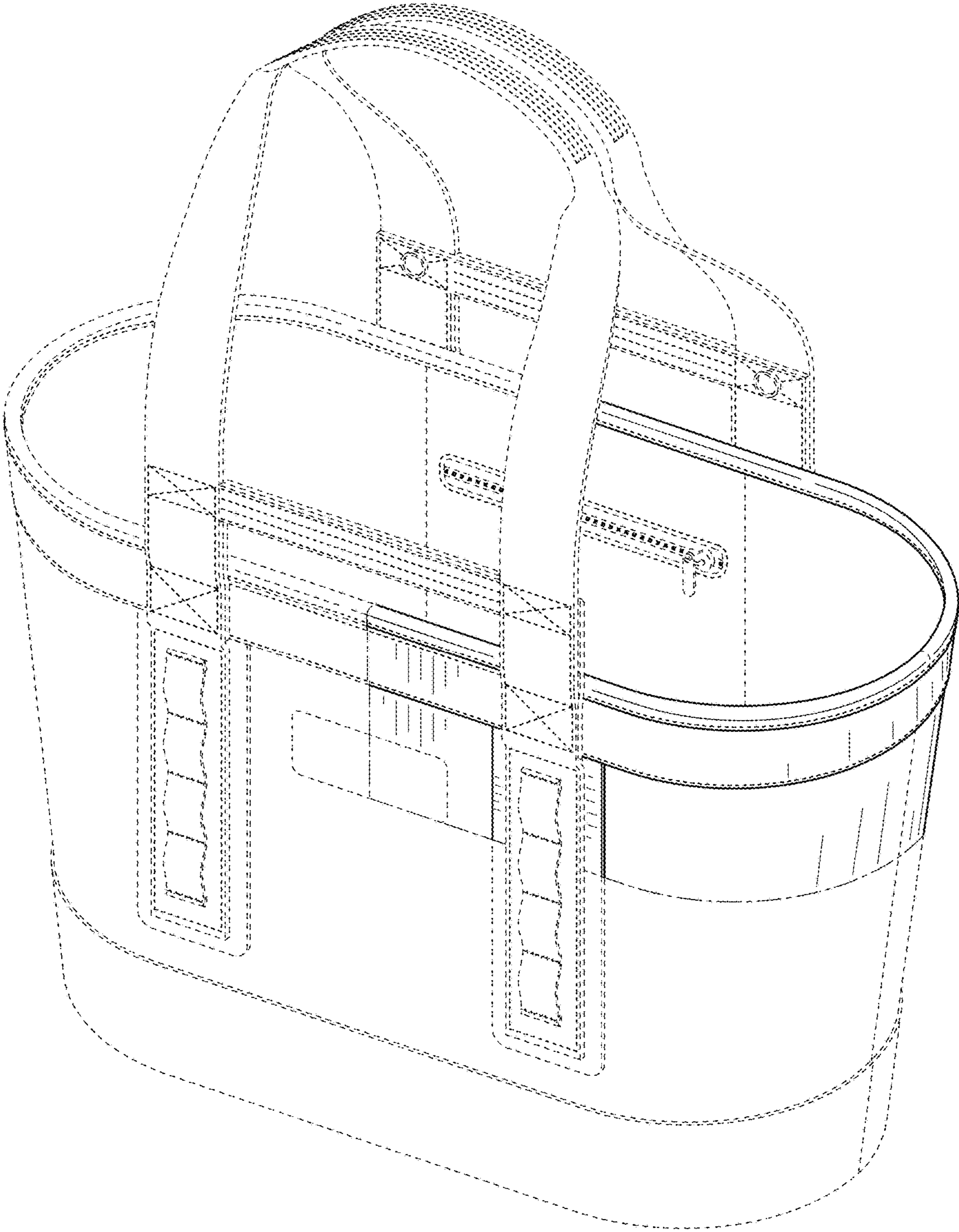


FIG. 1

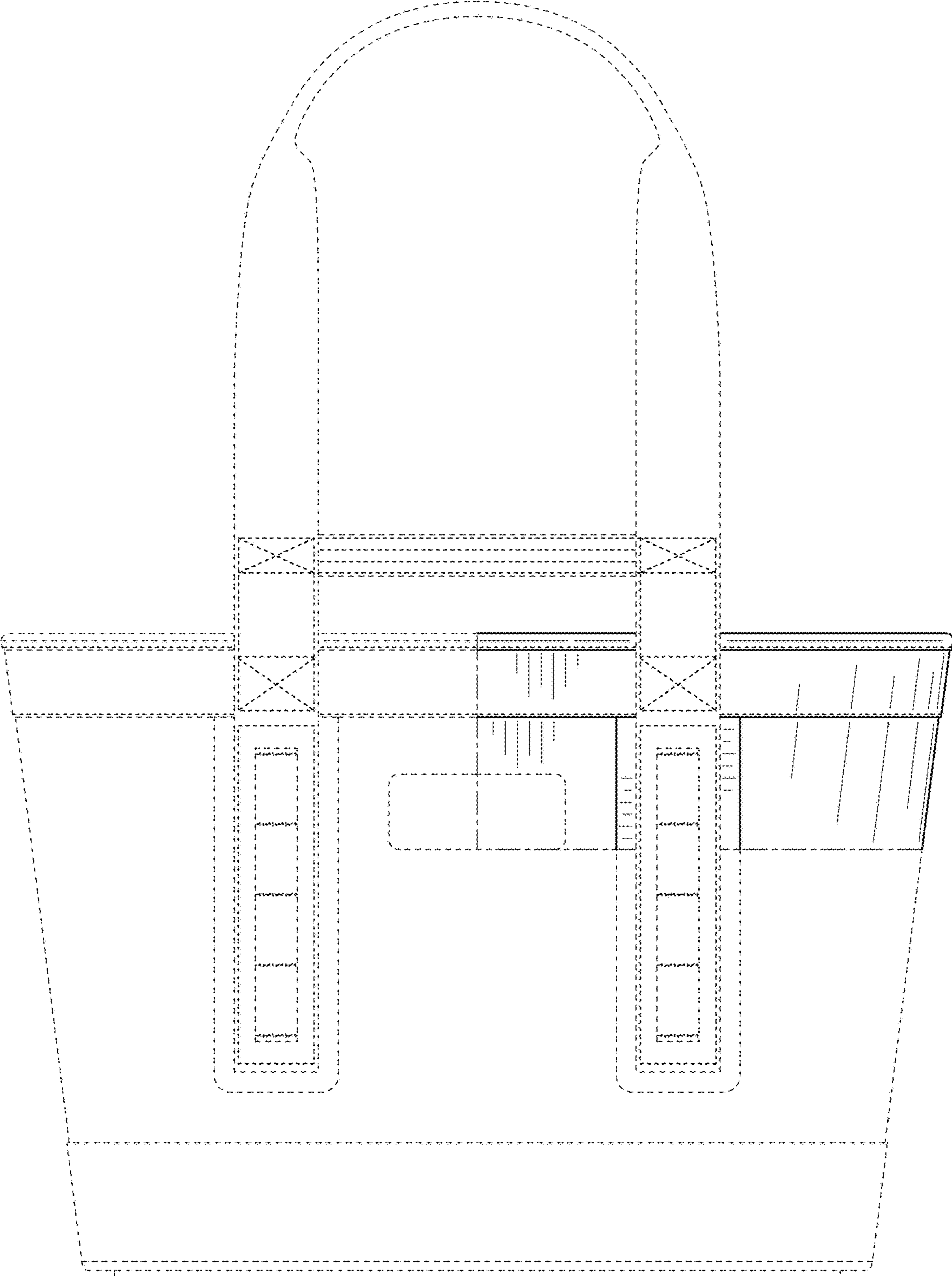


FIG. 2

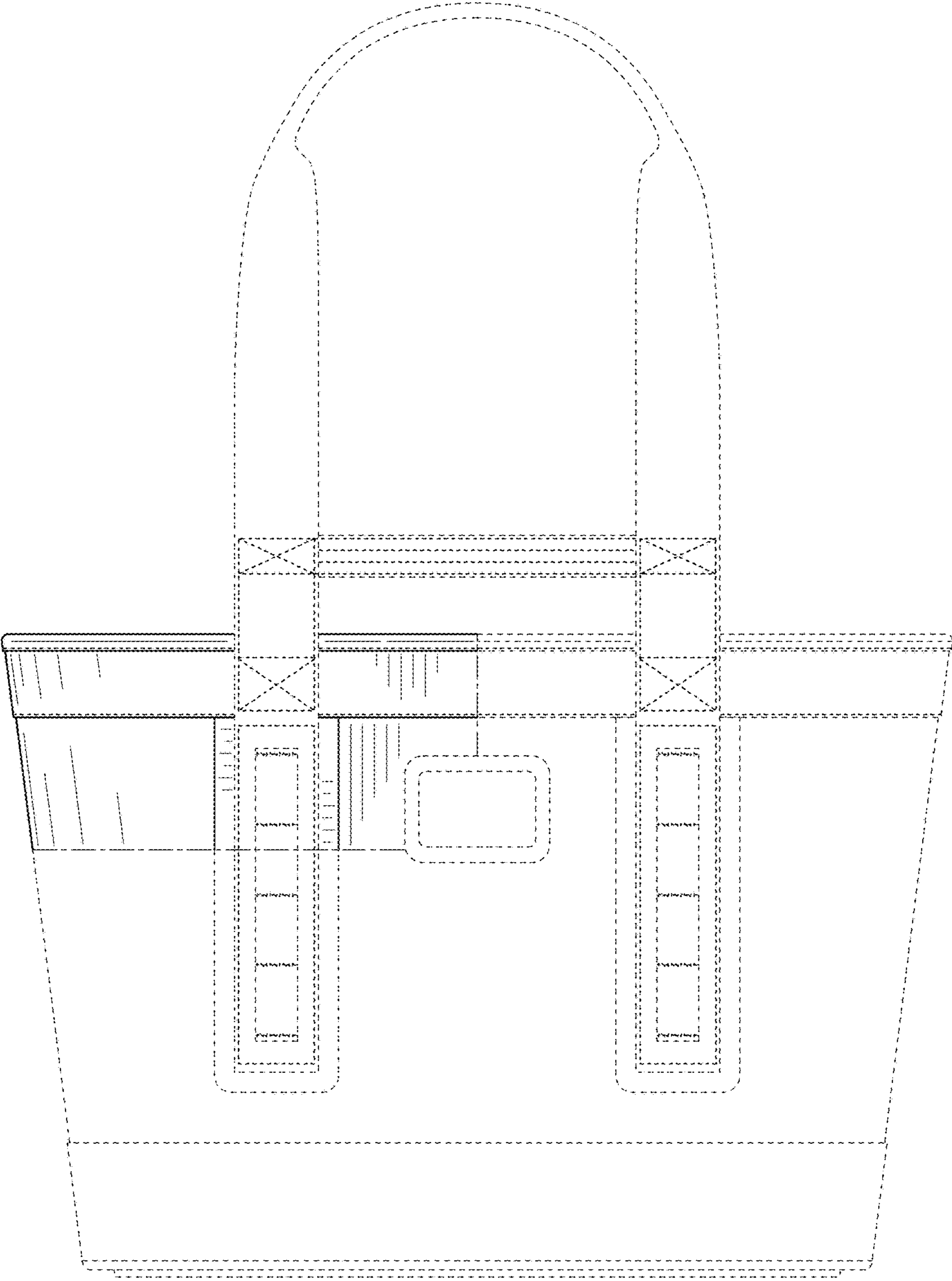


FIG. 3

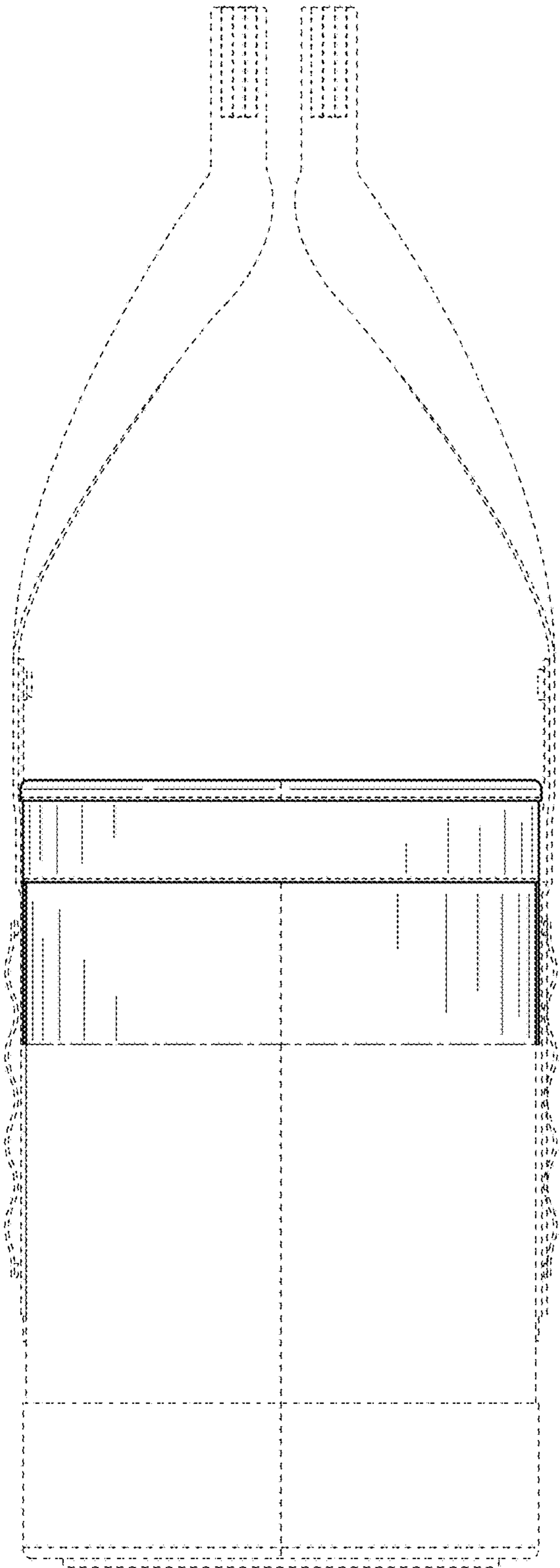


FIG. 4

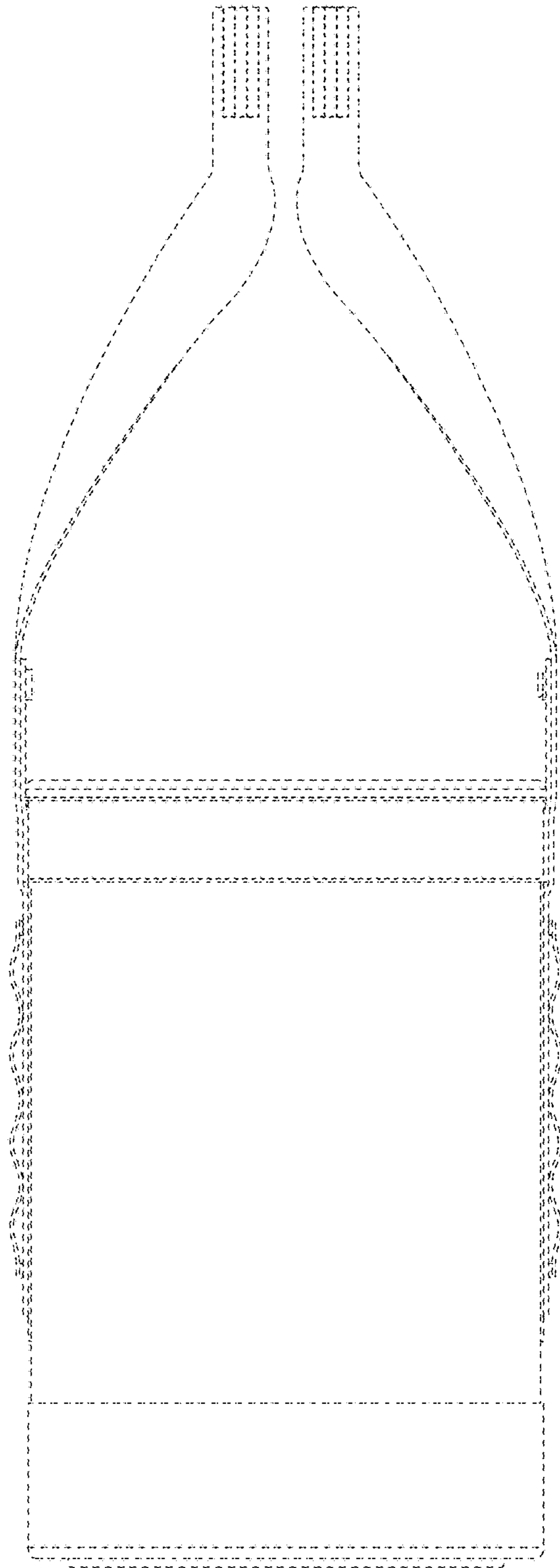


FIG. 5

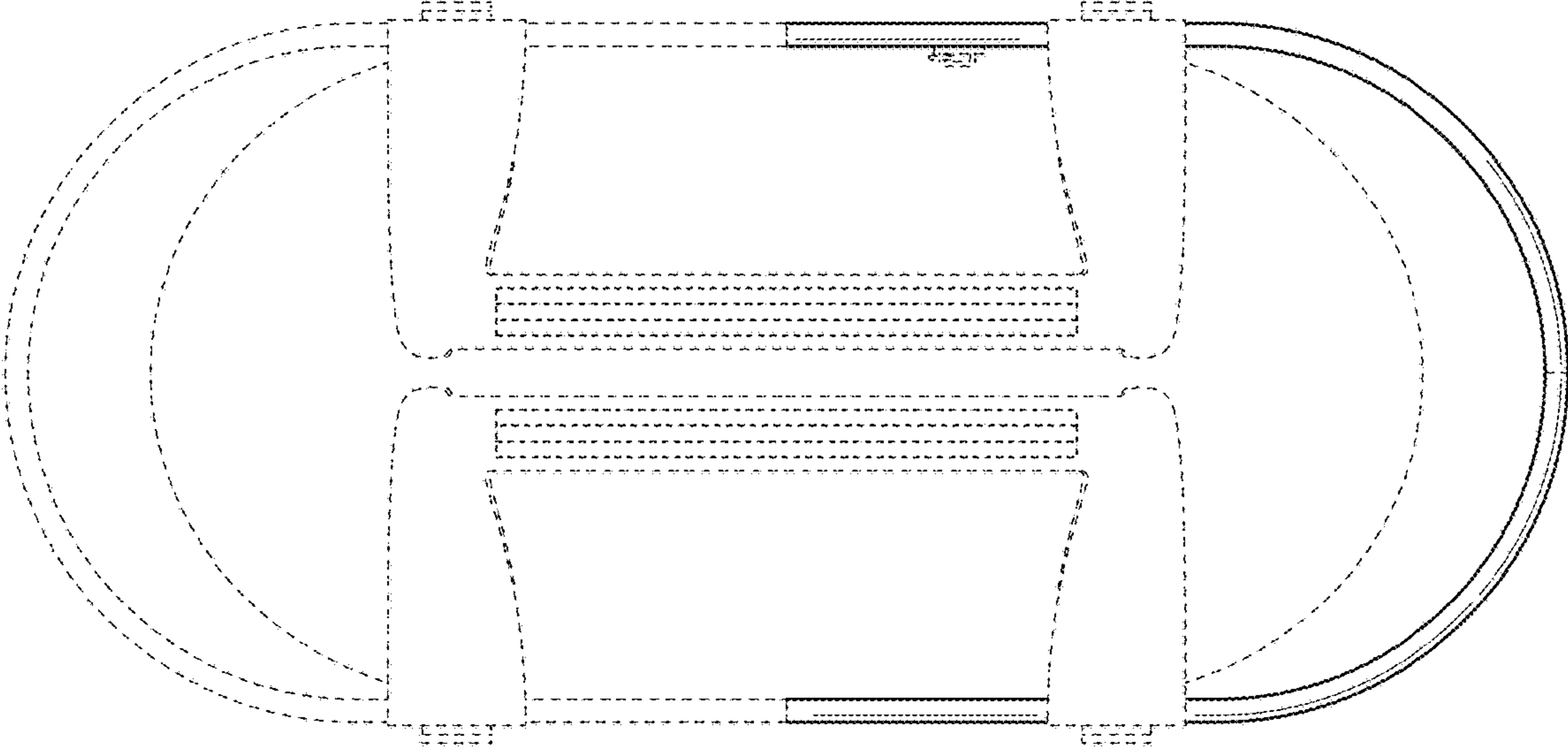


FIG. 6

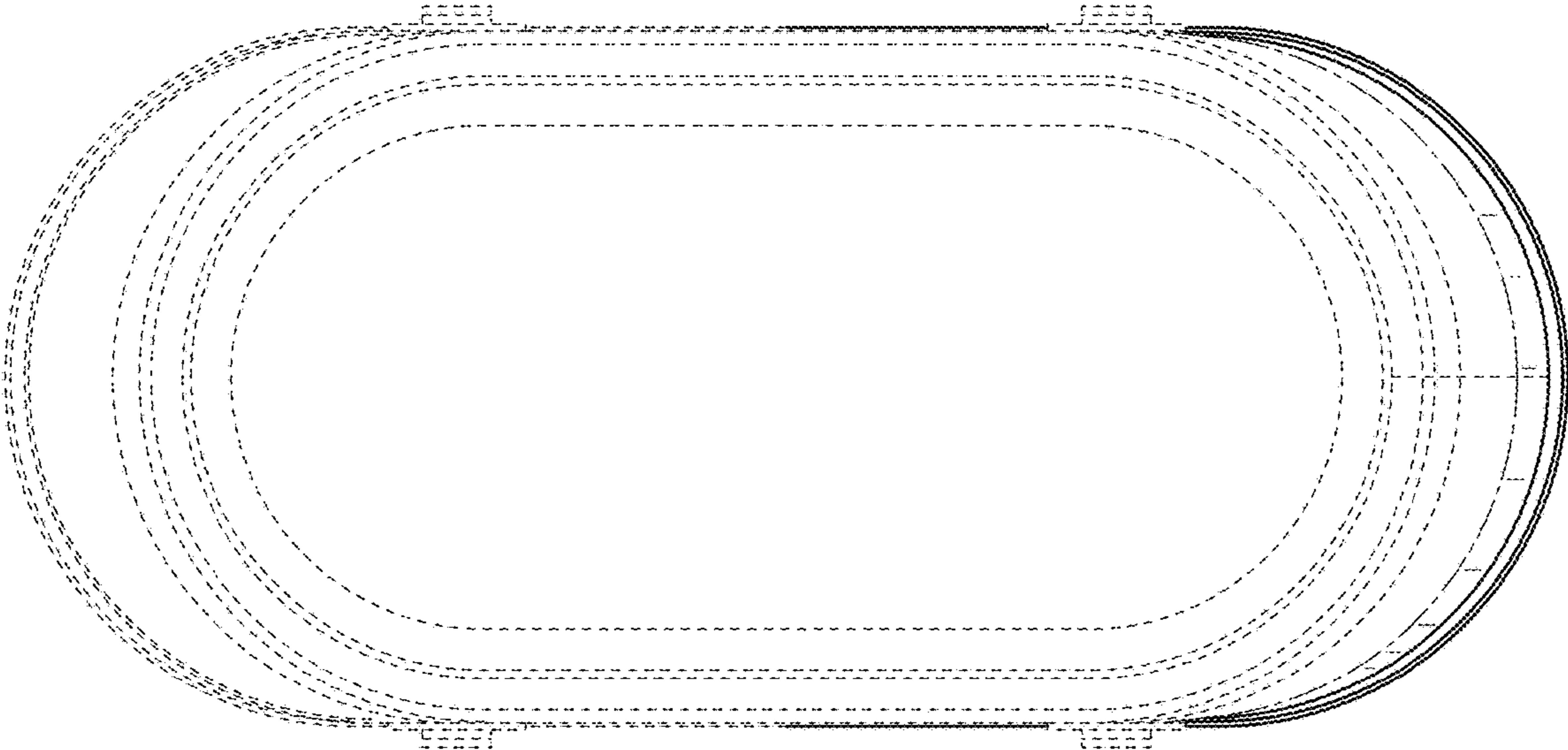


FIG. 7