



US00D822997S

(12) **United States Design Patent** (10) **Patent No.:** **US D822,997 S**  
**Seiders et al.** (45) **Date of Patent:** **\*\* Jul. 17, 2018**

(54) **BAG**  
(71) Applicant: **YETI Coolers, LLC**, Austin, TX (US)  
(72) Inventors: **Roy Joseph Seiders**, Austin, TX (US);  
**Dustin Bullock**, Austin, TX (US)

5,848,734 A 12/1998 Melk  
6,409,066 B1 6/2002 Schneider et al.  
6,640,856 B1 11/2003 Tucker  
D491,354 S 6/2004 Chapelier  
6,810,933 B2 11/2004 Gordon et al.  
7,071,150 B2 7/2006 Genuyt et al.  
(Continued)

(73) Assignee: **YETI Coolers, LLC**, Austin, TX (US)  
(\*\*) Term: **15 Years**

FOREIGN PATENT DOCUMENTS

CA 2483802 A1 4/2006  
CA 2499291 A1 9/2006  
(Continued)

(21) Appl. No.: **29/595,108**  
(22) Filed: **Feb. 24, 2017**

OTHER PUBLICATIONS

(51) **LOC (11) Cl.** ..... **03-01**  
(52) **U.S. Cl.**  
USPC ..... **D3/318**  
(58) **Field of Classification Search**  
USPC ..... D3/232–233, 240–243, 245–246, 318  
CPC ..... A45C 1/024; A45C 3/06  
See application file for complete search history.

Reusable Shopping Bag, ADK Packworks™ The Packbasket™  
Reusable Shopping Bag, [retrieved Jun. 13, 2017], Date unknown  
but at least as early as Jun. 13, 2017.  
(Continued)

*Primary Examiner* — Holly H Baynham  
(74) *Attorney, Agent, or Firm* — Banner & Witcoff, Ltd.

(56) **References Cited**

(57) **CLAIM**

The ornamental design for a bag, as shown and described.

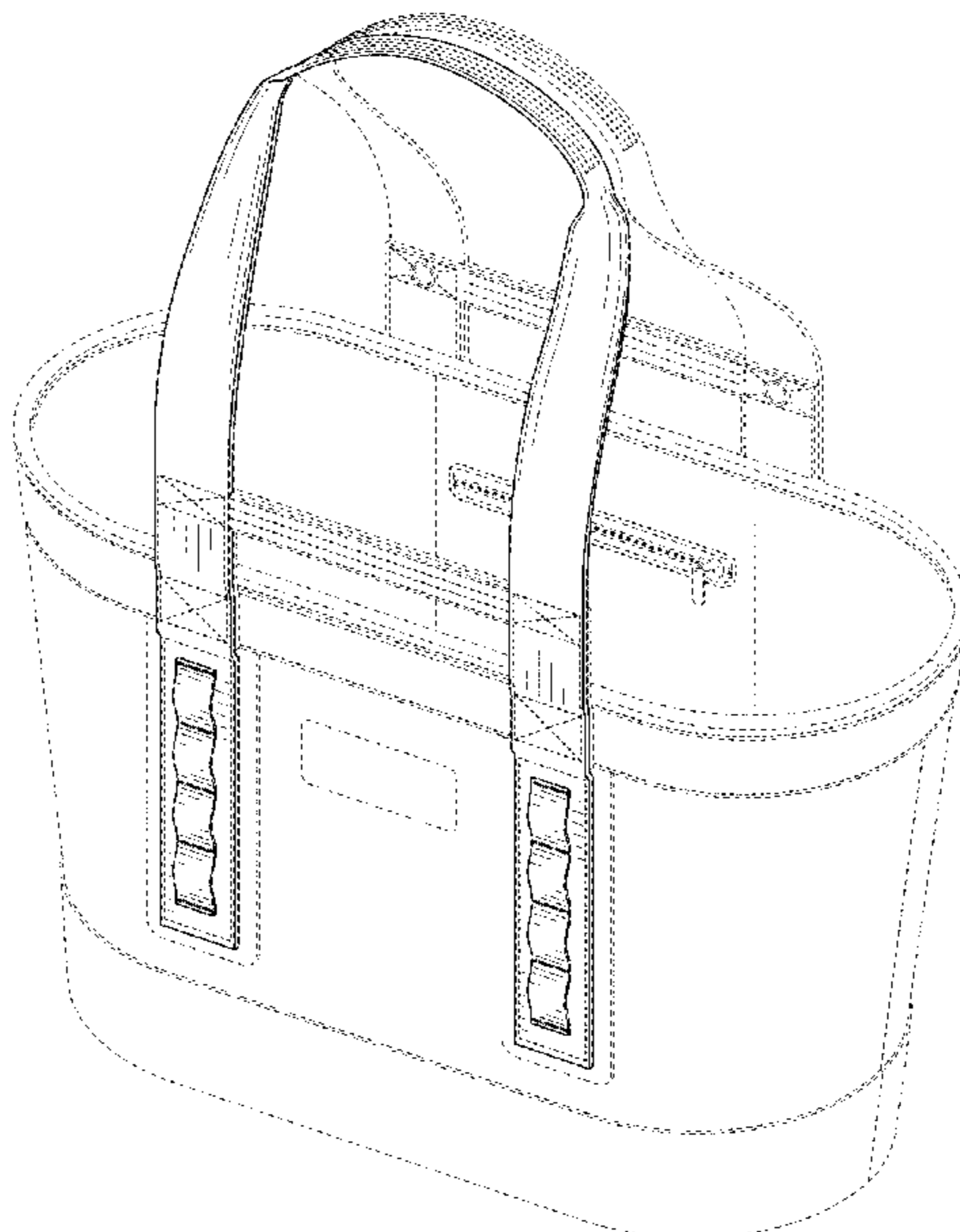
U.S. PATENT DOCUMENTS

**DESCRIPTION**

1,113,757 A 10/1914 Crutcher et al.  
1,378,928 A 5/1921 Witzel  
1,386,557 A 8/1921 Edwards et al.  
2,188,899 A 2/1940 Hebbard et al.  
2,483,802 A 10/1949 Bradley  
2,499,291 A 2/1950 Baumann  
2,548,064 A 4/1951 Reinhart  
2,575,191 A 11/1951 Seipp  
4,116,253 A 9/1978 Watsky  
4,211,091 A 7/1980 Campbell  
D281,546 S 12/1985 Bradshaw  
4,723,300 A 2/1988 Aranow  
4,812,054 A 3/1989 Kirkendall  
4,961,522 A 10/1990 Weber  
5,490,396 A 2/1996 Morris  
5,507,542 A 4/1996 Eden  
5,813,445 A 9/1998 Christman

FIG. 1 is a top, front, right perspective view of a bag showing our new design;  
FIG. 2 is a front view thereof;  
FIG. 3 is a rear view thereof;  
FIG. 4 is a right side view thereof;  
FIG. 5 is a left side view thereof;  
FIG. 6 is a top view thereof; and,  
FIG. 7 is a bottom view thereof.  
The broken lines within the shaded area represent stitching.  
The broken lines showing the remainder of the bag represent unclaimed subject matter and form no part of the claimed design.

**1 Claim, 5 Drawing Sheets**



(56)

References Cited

U.S. PATENT DOCUMENTS

7,073,942 B2 7/2006 Vazquez  
 D526,120 S 8/2006 Lee et al.  
 D535,820 S 1/2007 Kamiya  
 D536,170 S 2/2007 Elson  
 D587,010 S 2/2009 Deck  
 7,581,886 B2 9/2009 Nitti  
 7,597,478 B2 10/2009 Pruchnicki et al.  
 D603,606 S 11/2009 Wang  
 7,682,080 B2 3/2010 Mogil  
 D617,553 S 6/2010 Shaw  
 7,762,294 B2 7/2010 Wang  
 D621,609 S 8/2010 Hasty  
 D629,612 S 12/2010 Weldon  
 D630,844 S 1/2011 Wang et al.  
 D632,074 S 2/2011 Chan et al.  
 D637,809 S \* 5/2011 Meldeau ..... D3/232  
 D651,397 S 1/2012 Lett  
 8,092,087 B2 1/2012 Simhony et al.  
 8,132,601 B2 3/2012 Wang  
 D663,522 S 7/2012 Schiffman  
 D673,772 S 1/2013 Munson et al.  
 D684,767 S 6/2013 Gerbi  
 D690,100 S 9/2013 Alfaks  
 D695,568 S 12/2013 Hayes  
 D701,041 S 3/2014 Burnett  
 D711,096 S 8/2014 Hanna  
 D711,098 S 8/2014 Rossignuolo  
 D711,100 S 8/2014 Dingizian  
 D717,041 S 11/2014 Pulliam  
 D732,348 S 6/2015 Seiders et al.  
 D732,349 S 6/2015 Seiders et al.  
 D732,350 S 6/2015 Seiders et al.  
 D732,899 S 6/2015 Seiders et al.  
 D739,654 S 9/2015 Brouard  
 D743,699 S 11/2015 Wieden  
 D745,268 S 12/2015 Slimane  
 9,254,022 B2 2/2016 Meldeau et al.  
 D752,347 S 3/2016 Seiders et al.  
 D752,860 S 4/2016 Barilaro et al.  
 9,307,814 B2 4/2016 Pulliam  
 D758,717 S 6/2016 Joo et al.  
 D760,494 S 7/2016 Harvey-Pankey  
 D761,561 S 7/2016 Cheng  
 D762,378 S 8/2016 Domotor et al.  
 D763,570 S 8/2016 Potts  
 D763,575 S 8/2016 Tiscareno-Rippe et al.  
 D764,791 S \* 8/2016 Patel ..... D3/232  
 D765,394 S 9/2016 Moore  
 D768,987 S 10/2016 Blumenfeld  
 D769,616 S 10/2016 Keene  
 D770,759 S 11/2016 Gamble et al.  
 D770,763 S 11/2016 Joo et al.  
 D773,813 S 12/2016 Jakubowski  
 D774,747 S 12/2016 Gamble et al.  
 D778,045 S 2/2017 Ruddis  
 9,578,937 B2 2/2017 Kern et al.  
 D784,010 S \* 4/2017 Dumas ..... D3/232  
 D787,823 S \* 5/2017 Nair ..... D3/232  
 D789,082 S \* 6/2017 Barilaro et al. .... D3/232  
 2005/0028910 A1 2/2005 Duty  
 2006/0198562 A1 9/2006 Mogil  
 2006/0201979 A1 9/2006 Achilles  
 2010/0084443 A1 4/2010 Adelman  
 2010/0200450 A1 8/2010 Weed  
 2010/0282378 A1 11/2010 Scozzafava  
 2011/0036473 A1 2/2011 Chan et al.

2011/0167863 A1 7/2011 Herrbold  
 2011/0283519 A1 11/2011 Pranger  
 2011/0311166 A1 12/2011 Pascua  
 2012/0328220 A1 12/2012 Kayata  
 2014/0369629 A1 12/2014 De La Fuente Lara  
 2015/0225164 A1 8/2015 Seiders et al.  
 2015/0265020 A1 9/2015 McCue et al.  
 2016/0338462 A1 11/2016 Hayashi  
 2017/0017596 A1 1/2017 Jang et al.

FOREIGN PATENT DOCUMENTS

CA 2548064 A1 11/2007  
 CN 2188899 Y 2/1995  
 CN 1378928 A 11/2002  
 CN 302137314 10/2012  
 CN 302868215 7/2014  
 CN 302877656 7/2014  
 EM 000122668-0002 5/2004  
 EM 001067250-0003 2/2009  
 EM 001188460-0003 2/2010  
 EM 001188460-0004 2/2010  
 EM 001909490-0001 8/2011  
 EM 001952722-0008 11/2011  
 EM 002073452-0001 8/2012  
 EM 002085308-0003 8/2012  
 EM 002163527-0017 1/2013  
 EM 002225706-0001 5/2013  
 EM 002262436-0001 7/2013  
 EM 002264697-0002 7/2013  
 EM 002284729-0004 8/2013  
 EM 002476853-0001 6/2014  
 EM 002476853-0002 6/2014  
 EM 002530519-0001 9/2014  
 EM 002605345-0004 12/2014  
 EM 002609404-0001 1/2015  
 EM 002676536-0001 6/2015  
 EM 003117324-0009 5/2016  
 EM 003329929-0001 8/2016  
 EM 003409044-0008 10/2016  
 EM 003504331-0027 12/2016  
 EM 003733021-0001 2/2017  
 EP 0037545 A2 10/1981  
 EP 1386557 A1 2/2004  
 FR 1113757 A 4/1956  
 WO 07071150 A1 6/2007  
 WO 17017596 A1 2/2017

OTHER PUBLICATIONS

FRAKTA Shopping bag, <http://www.ikea.com/us/en/catalog/products/17228340/>, [retrieved Jun. 13, 2017], Date unknown but at least as early as Jun. 13, 2017.  
 3Pcs Eco Friendly Large Capacity Reuseable Shopping bag, <http://www.dhgate.com/product/3pcs-eco-friendly-large-capacity-reuseable/395600522.html#s2-28-1;disc%7C2511216197>, [retrieved Jun. 13, 2017], Date unknown but as early as Jun. 13, 2017.  
 Wholesale Shopping Bag, <http://www.dhgate.com/product/2017-factory-wholesale-shopping-bags-polyester/394587619.html#s1-9-1;disc%7C3274647288>, [retrieved Jun. 13, 2017], Date unknown but as early as Jun. 13, 2017.  
 Press Release—Portable Hopper 30 Cooler [online], [retrieved Jun. 14, 2017], Retrieved from Internet <URL: <http://yeti.com/press-releases/hopper-30>>; 2 color sheets, Dated Jul. 9, 2014.  
 YETI Reinvents the Hopper [online], [retrieved Jun. 14, 2017], Retrieved from Internet <URL: <http://yeti.com/press-releases/hopper-two-soft-cooler>>; 2 color sheets, Dated Feb. 1, 2017.

\* cited by examiner

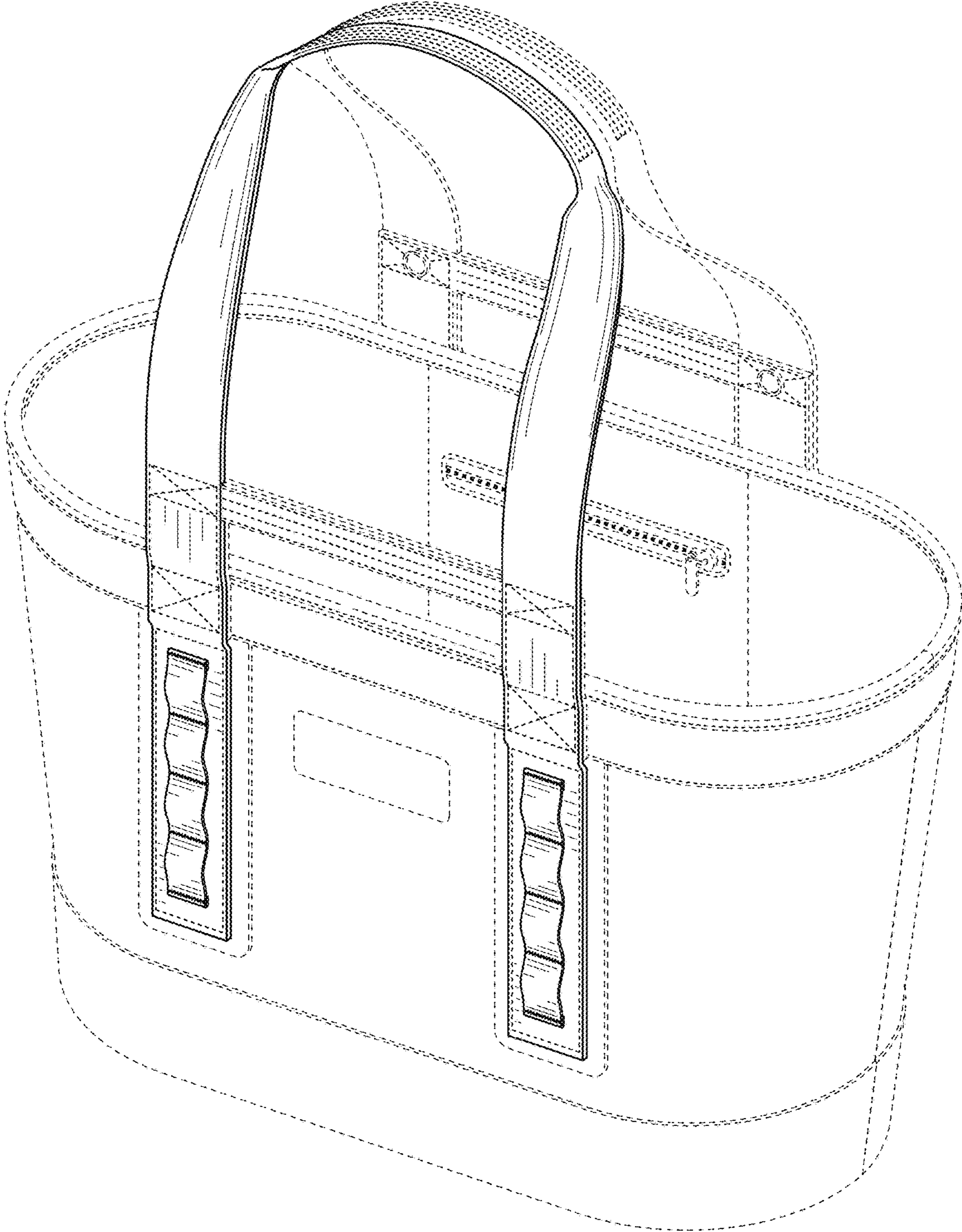


FIG. 1

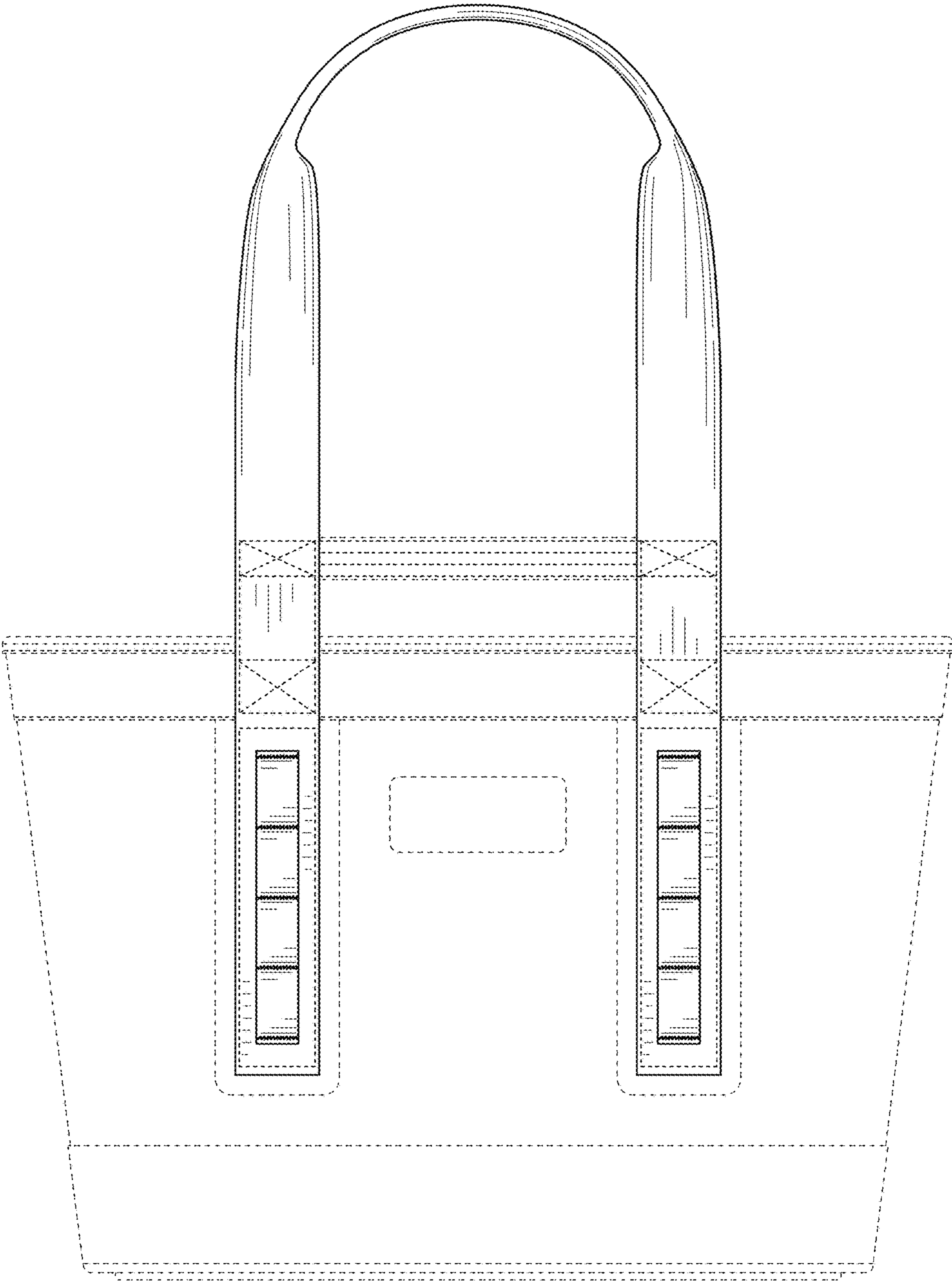


FIG. 2

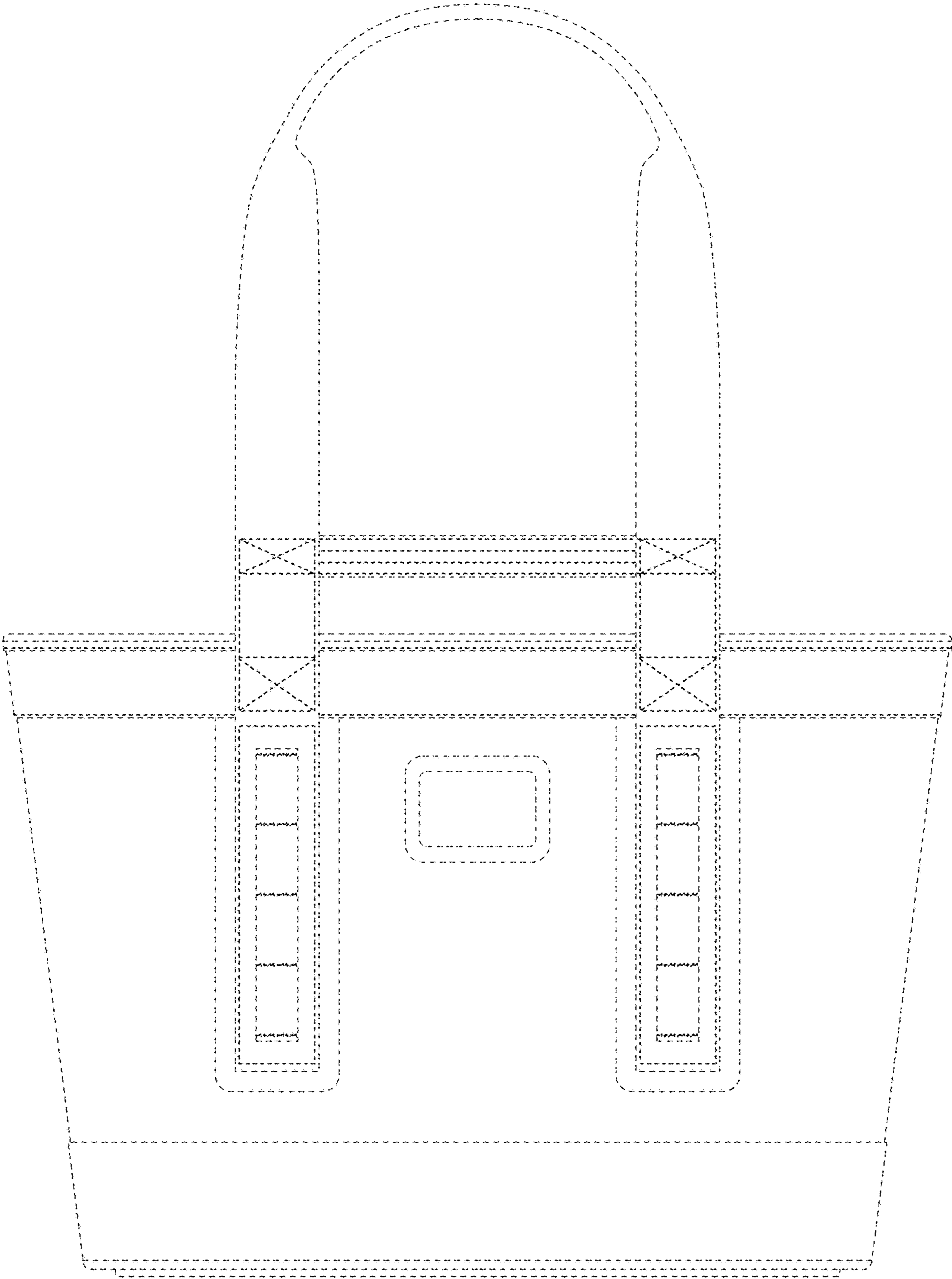


FIG. 3

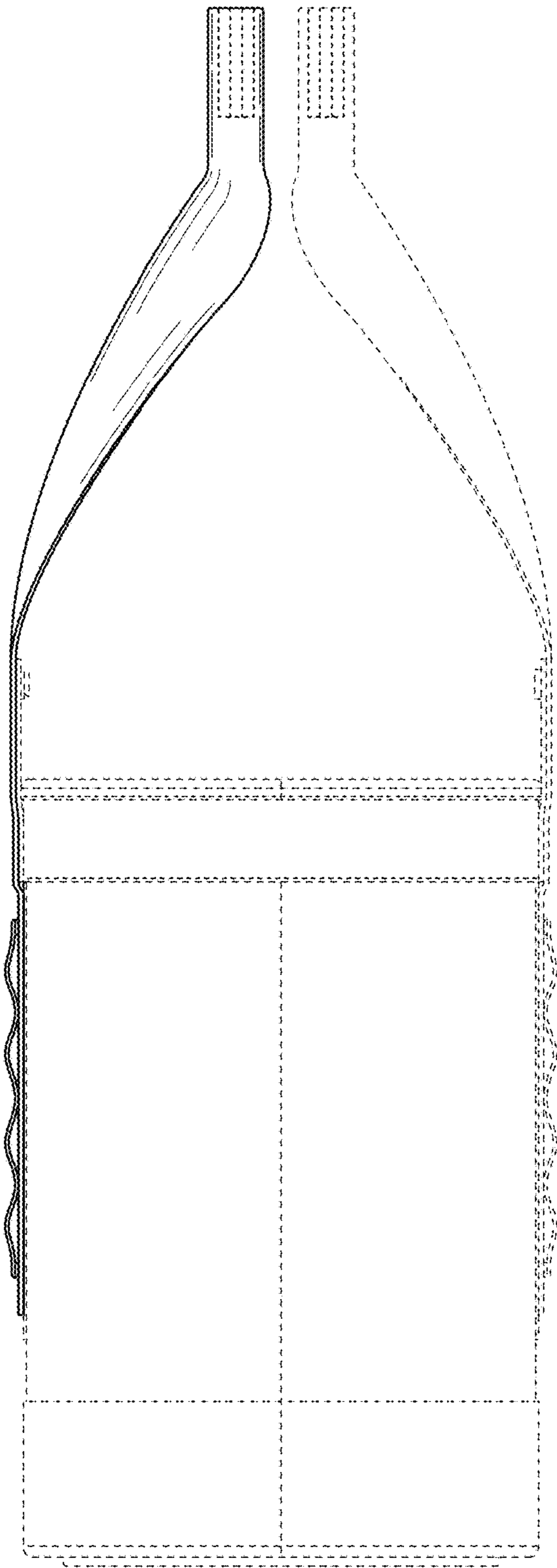


FIG. 4

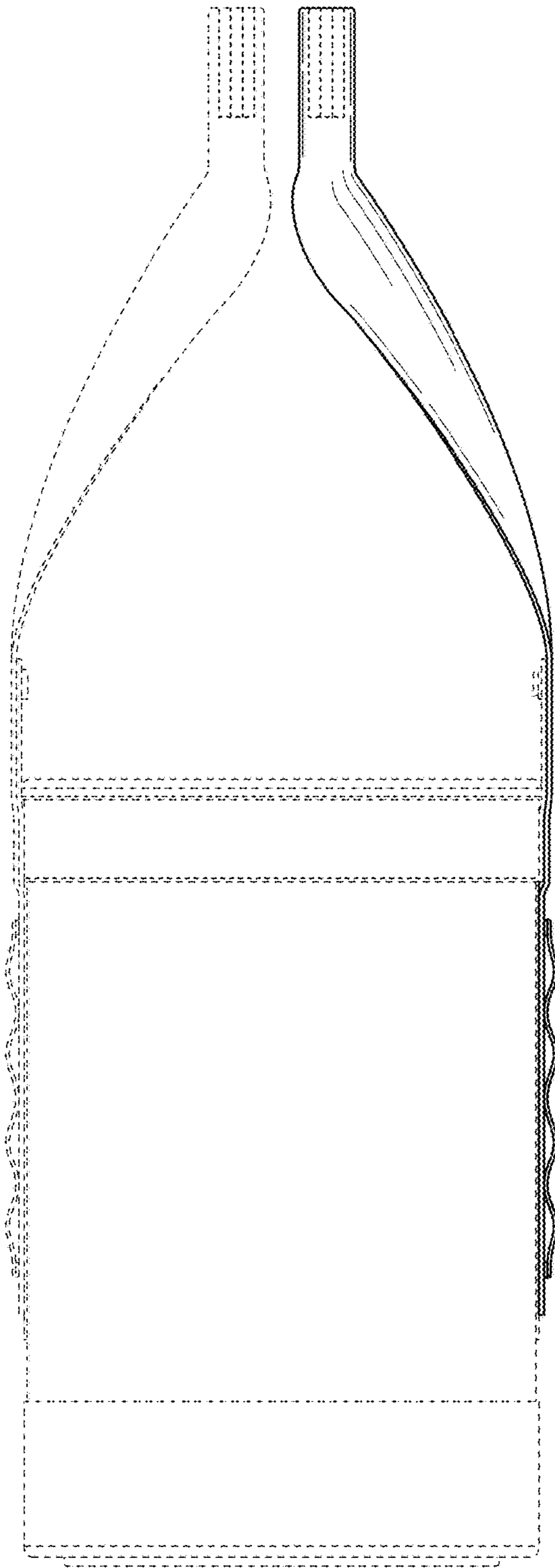


FIG. 5

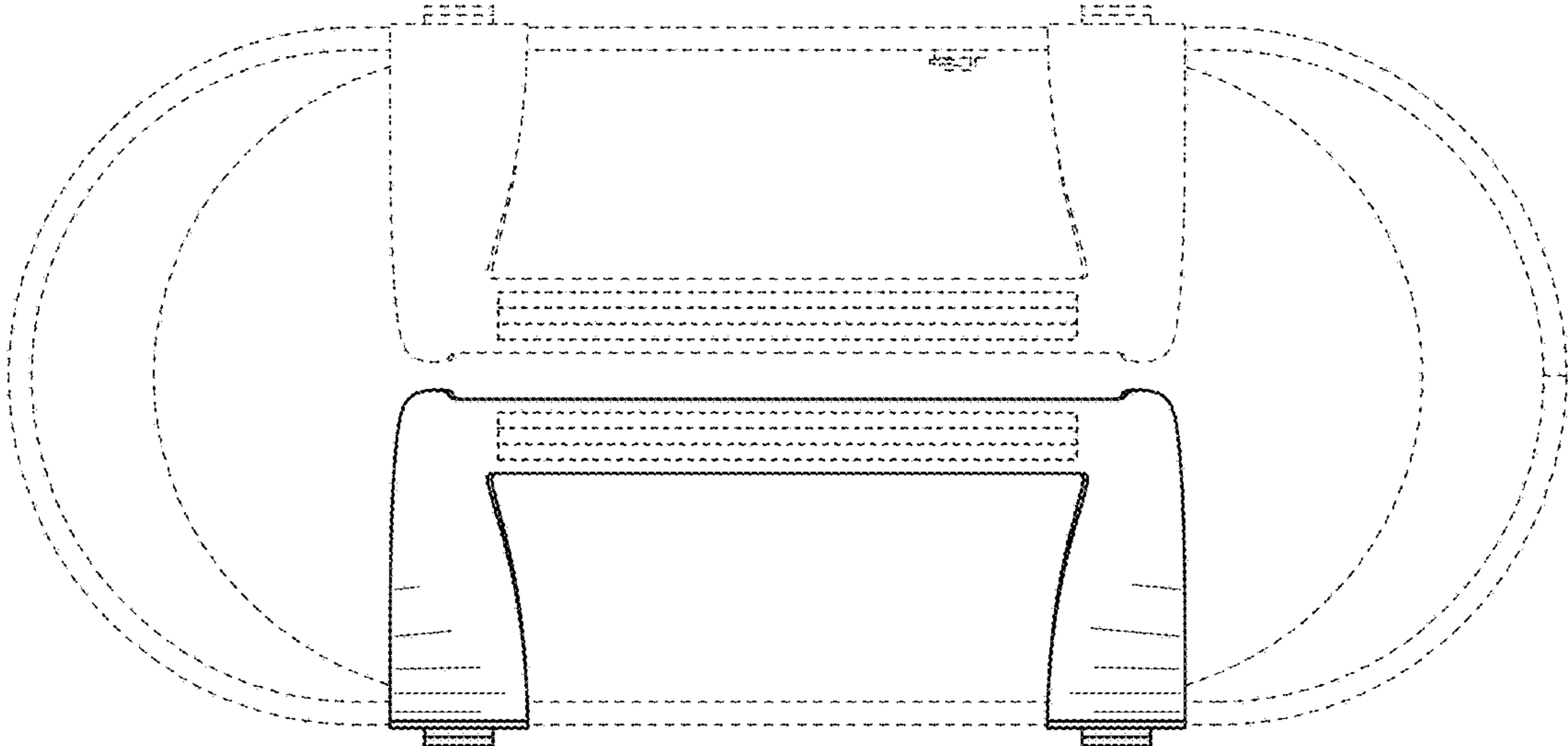


FIG. 6

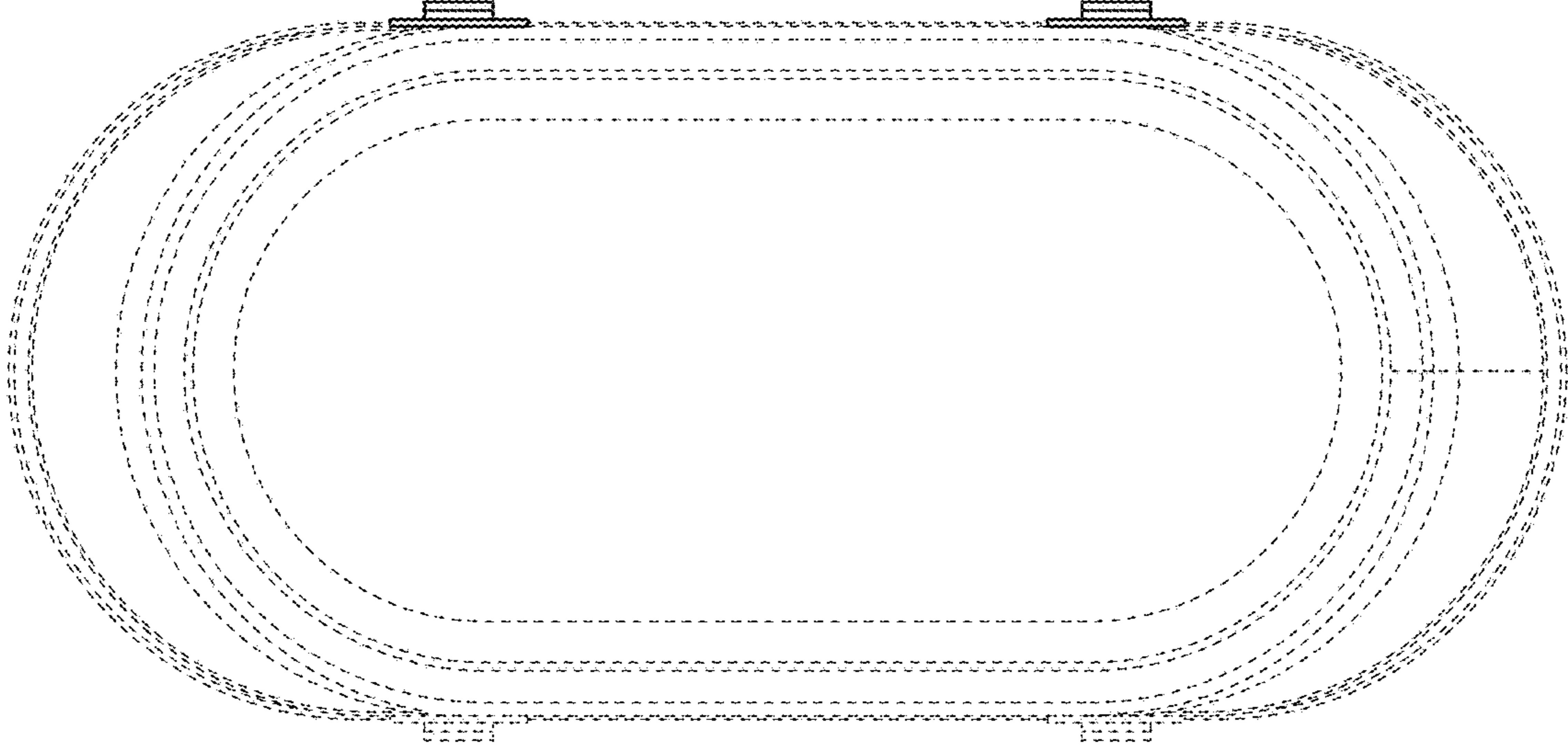


FIG. 7