



US00D822996S

(12) **United States Design Patent**
Ehara et al.

(10) **Patent No.:** **US D822,996 S**
(45) **Date of Patent:** **** Jul. 17, 2018**

(54) **CASE FOR ELECTRONIC DEVICE**

D712,144 S * 9/2014 Albanese D3/301
D739,142 S * 9/2015 Coleman D3/285
D739,655 S * 9/2015 Coleman D3/285

(71) Applicant: **NINTENDO CO., LTD.**, Kyoto (JP)

* cited by examiner

(72) Inventors: **Yui Ehara**, Kyoto (JP); **Yuko Zenri**,
Kyoto (JP); **Junichiro Miyatake**, Kyoto
(JP); **Tetsuya Akama**, Kyoto (JP);
Hitoshi Tsuchiya, Kyoto (JP)

Primary Examiner — Holly H Baynham

(74) *Attorney, Agent, or Firm* — Nixon & Vanderhye PC

(73) Assignee: **Nintendo Co., Ltd.**, Kyoto (JP)

(**) Term: **15 Years**

(57) **CLAIM**

(21) Appl. No.: **29/600,557**

The ornamental design for a case for electronic device, as shown and described.

(22) Filed: **Apr. 13, 2017**

(30) **Foreign Application Priority Data**

DESCRIPTION

Dec. 29, 2016 (JP) 2016-028683

(51) **LOC (11) Cl.** **03-01**

(52) **U.S. Cl.**
USPC **D3/301**

(58) **Field of Classification Search**
USPC D3/247, 249-253, 301
CPC . A45C 11/18; A45C 11/182; A45C 2011/322;
A45C 13/42
See application file for complete search history.

FIG. 1 is a front side perspective view of a case for electronic device showing our new design;
FIG. 2 is a back side perspective view thereof;
FIG. 3 is a front view thereof;
FIG. 4 is a top view thereof;
FIG. 5 is a back view thereof;
FIG. 6 is a bottom view thereof;
FIG. 7 is a right view thereof;
FIG. 8 is a left view thereof;
FIG. 9 is a perspective view 1 showing a state of this article being opened thereof; and,
FIG. 10 is a perspective view 2 showing a state of this article being opened thereof.

(56) **References Cited**

U.S. PATENT DOCUMENTS

D632,079 S * 2/2011 Spencer D3/301
D659,998 S * 5/2012 Austin D3/301

1 Claim, 5 Drawing Sheets

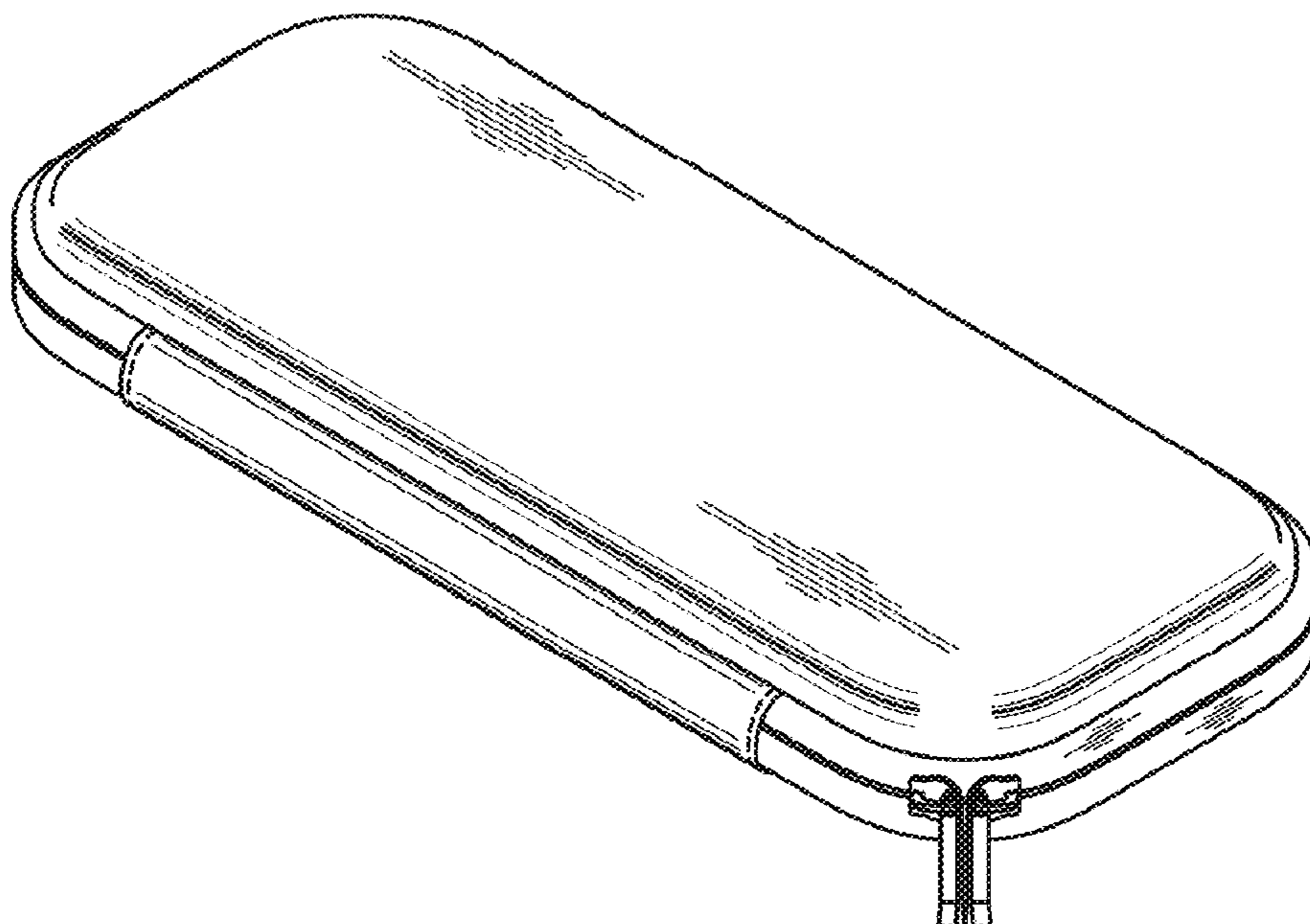


Fig.1

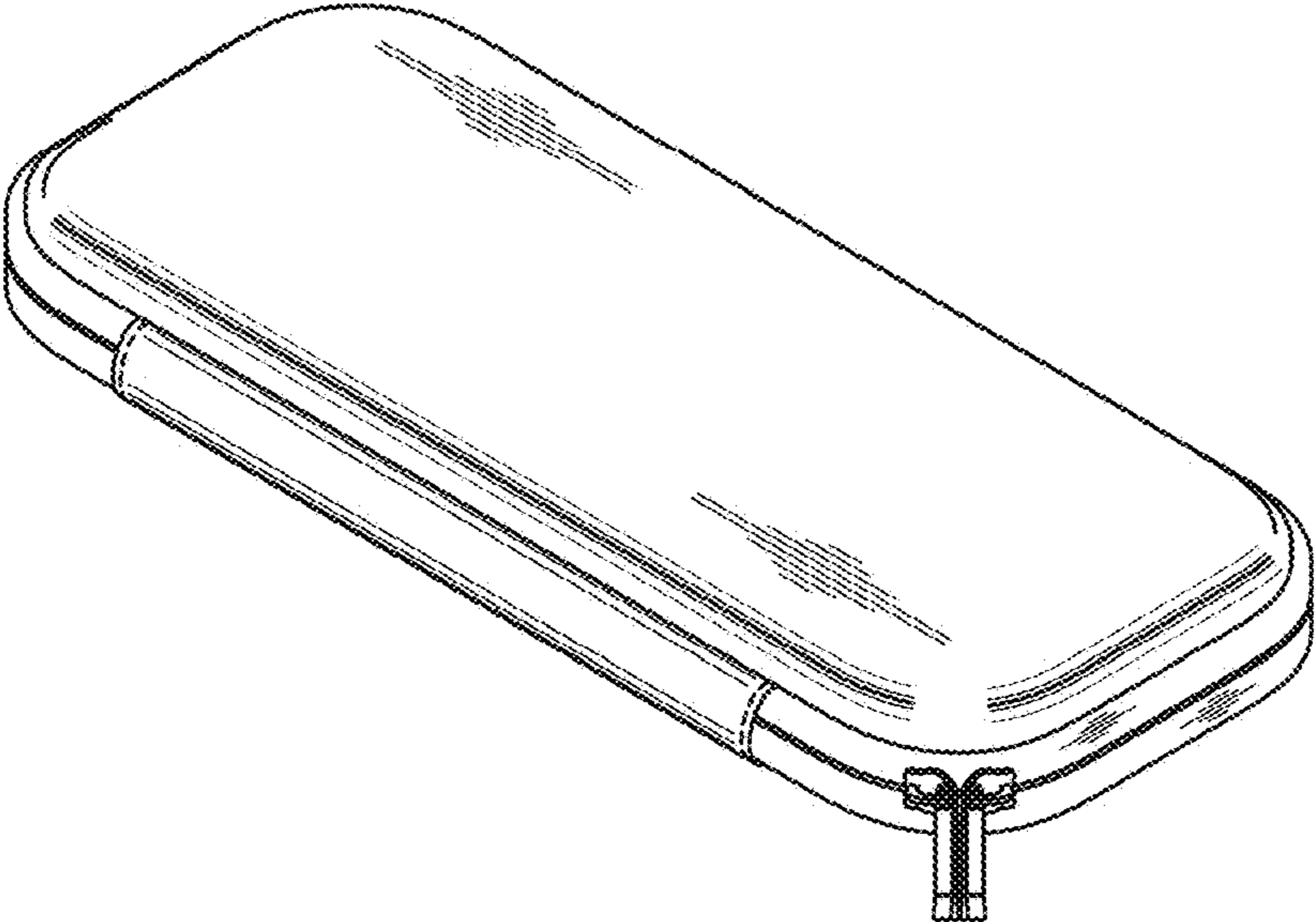


Fig.2

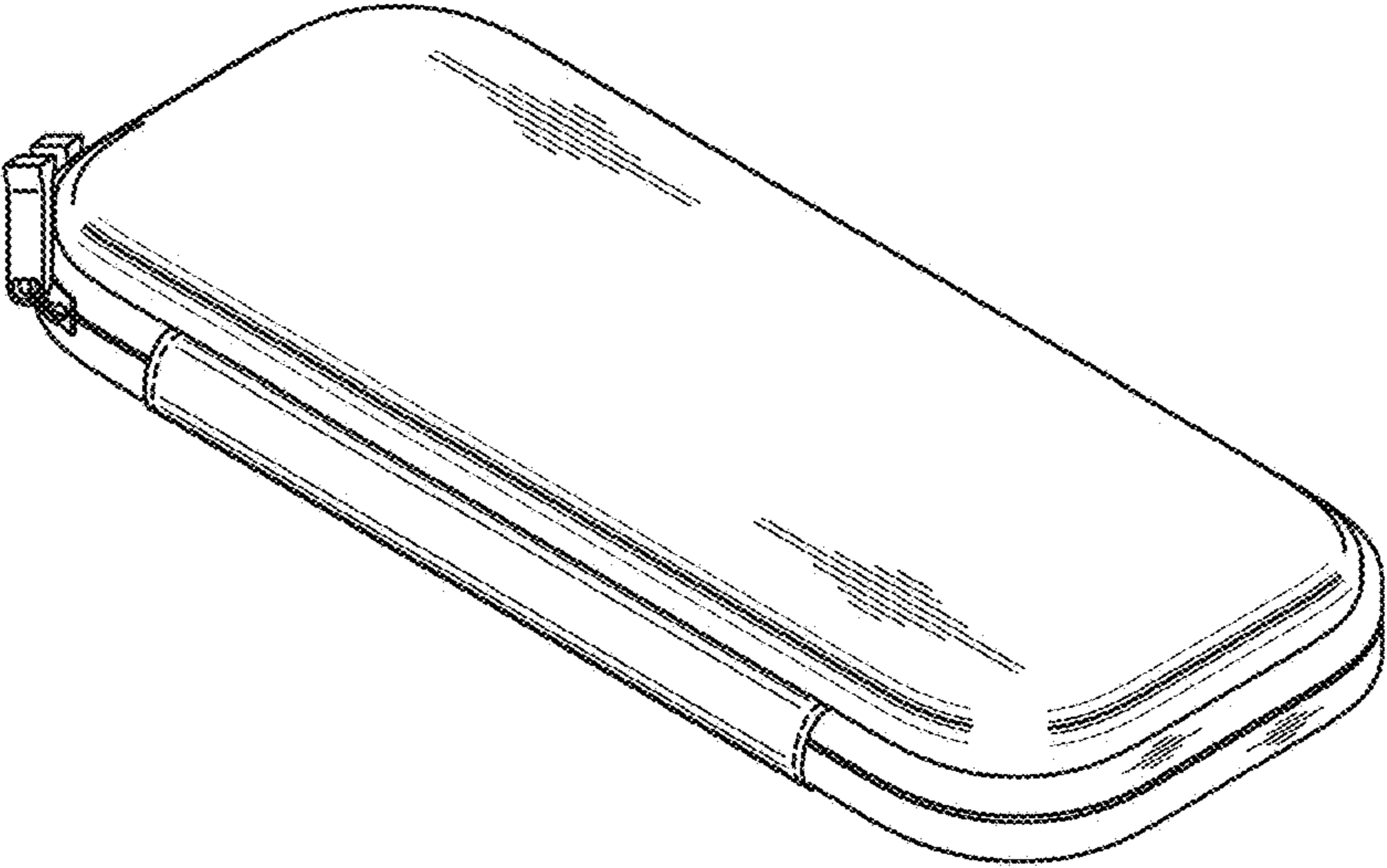


Fig.3

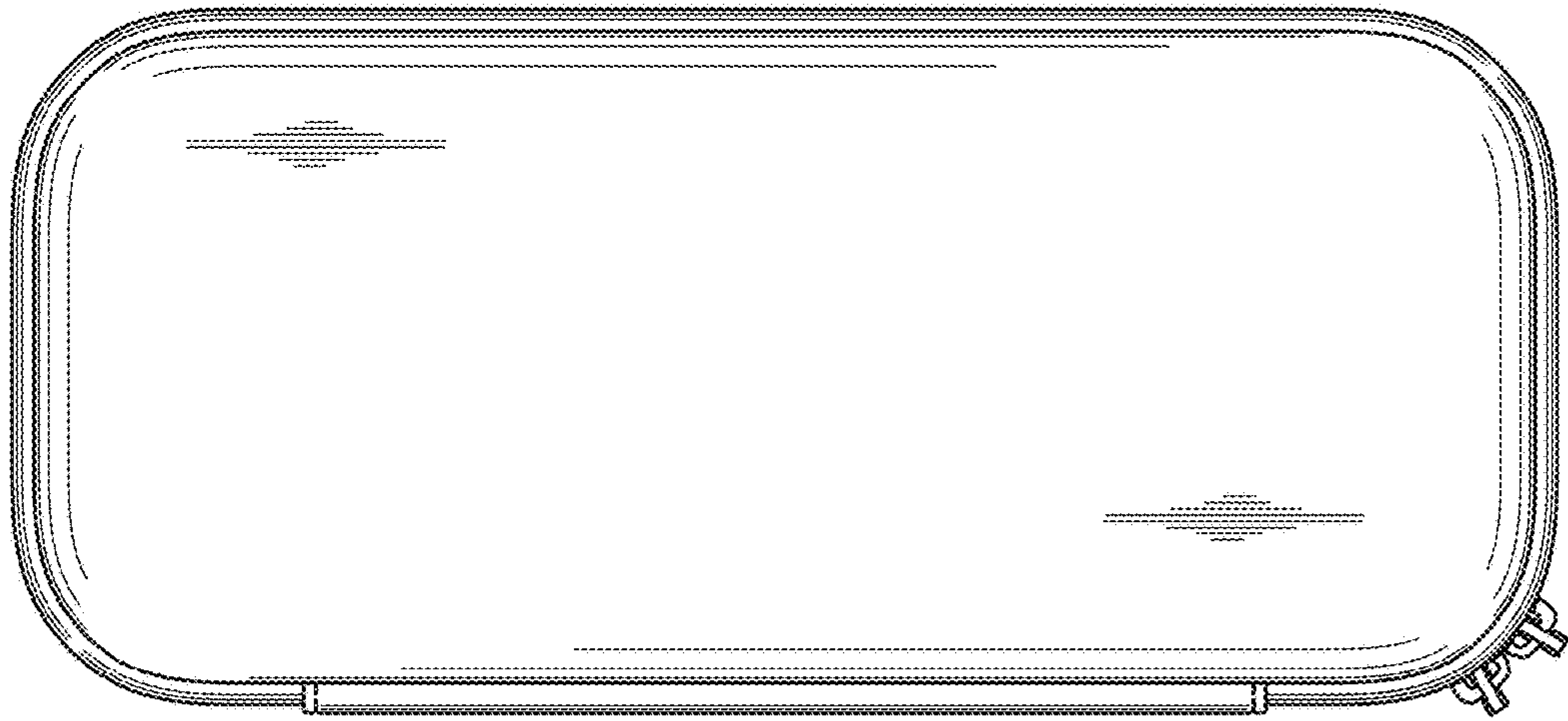


Fig.4

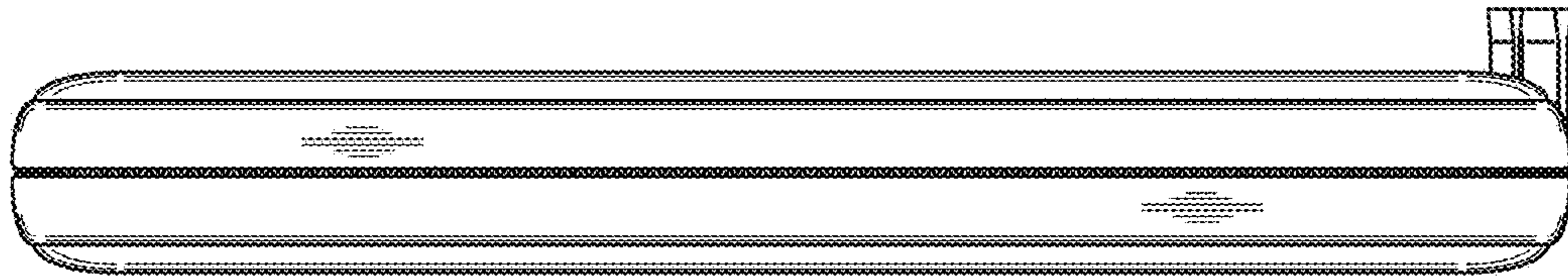


Fig.5

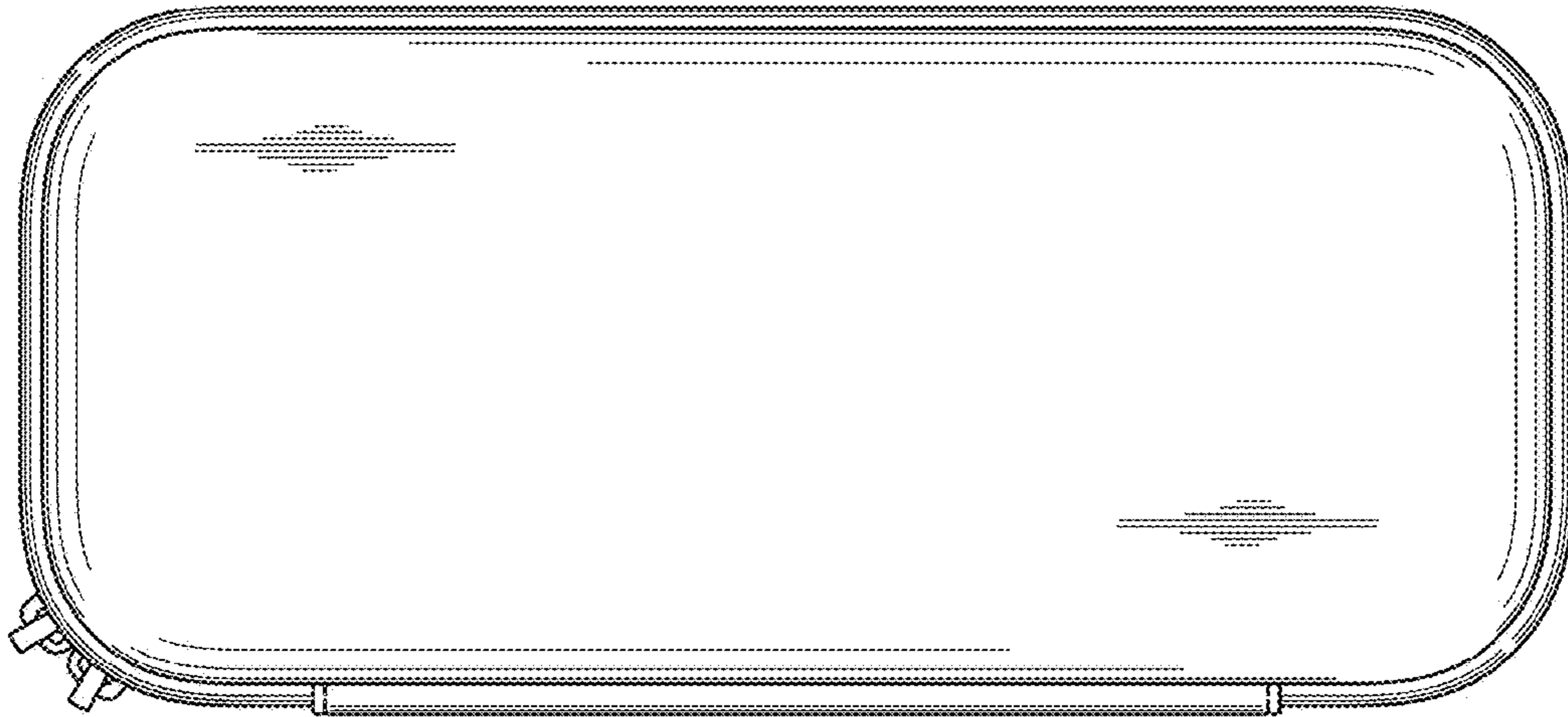


Fig.6

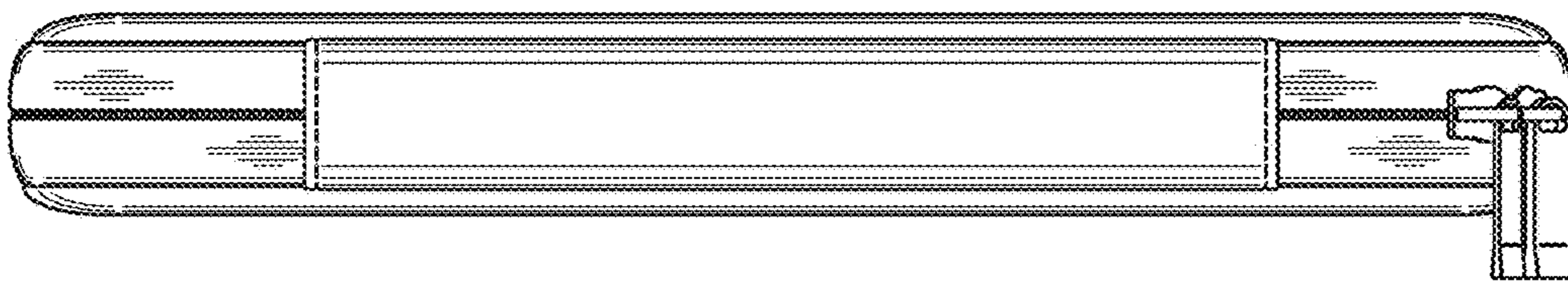


Fig.7

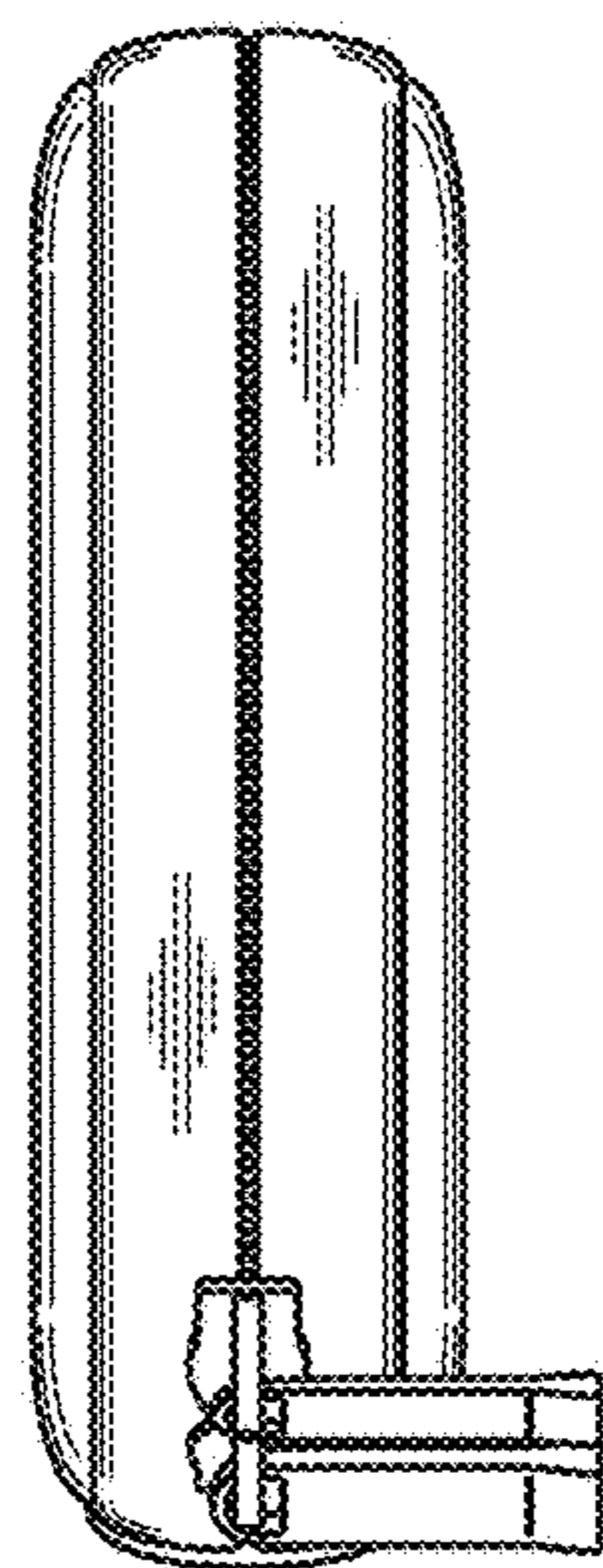


Fig.8

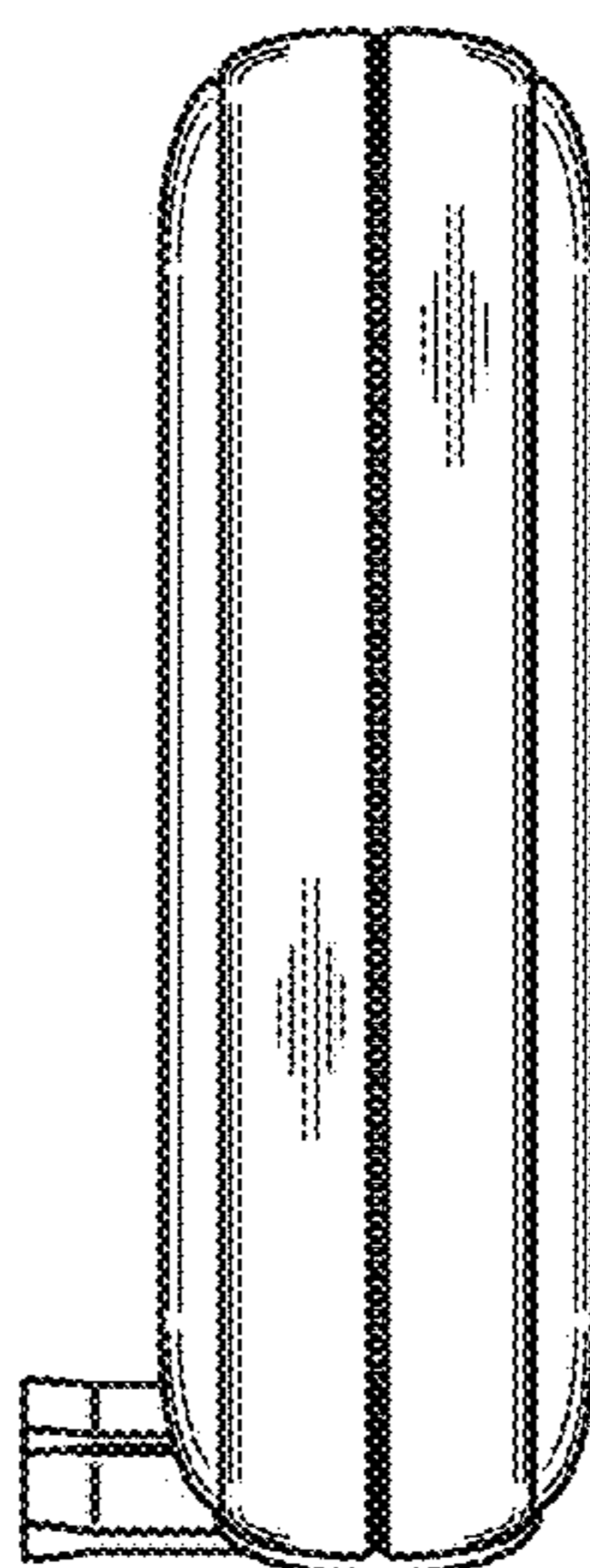


Fig.9

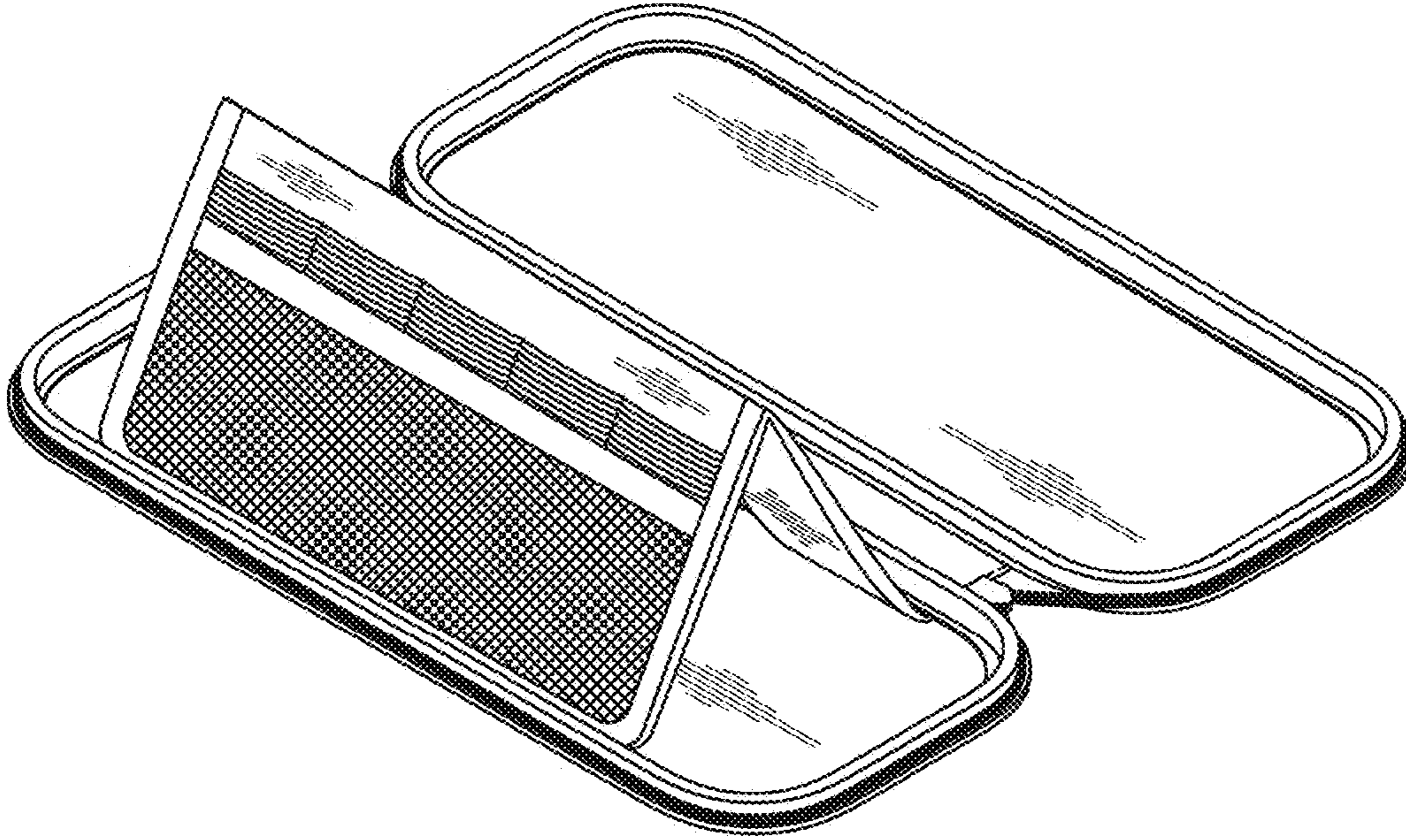


Fig.10

