



US00D822995S

(12) **United States Design Patent**
Whitley

(10) **Patent No.:** **US D822,995 S**
(45) **Date of Patent:** **** Jul. 17, 2018**

(54) **PORTABLE MODULAR STORAGE SYSTEM**

(71) Applicant: **AAACK, LLC**

(72) Inventor: **George Allen Whitley**, Austin, TX
(US)

(73) Assignee: **AAACK, LLC**, Austin, TX (US)

(**) Term: **15 Years**

(21) Appl. No.: **29/596,265**

(22) Filed: **Mar. 7, 2017**

Related U.S. Application Data

(63) Continuation of application No. 15/141,372, filed on
Apr. 28, 2016.

(51) **LOC (11) Cl.** **03-01**

(52) **U.S. Cl.**
USPC **D3/301**

(58) **Field of Classification Search**

USPC D3/201, 205, 242, 273, 274, 275, 276,
D3/279, 281, 282, 283, 284, 289, 292,
D3/294, 295, 296, 297, 299, 301, 302,
D3/901, 903, 905; D9/414

CPC A45C 5/04; A45C 11/00; A45C 11/16
See application file for complete search history.

(56) **References Cited**

U.S. PATENT DOCUMENTS

1,730,898	A	10/1929	Percival	
5,004,105	A	4/1991	Freadman	
D321,593	S *	11/1991	Kim	D3/289
D325,818	S *	5/1992	Kim	D3/289
D370,123	S *	5/1996	Klinger	D3/231
D380,612	S *	7/1997	Kelley	D3/276
D400,350	S *	11/1998	Minden	D3/216
D418,287	S *	1/2000	Moor	D3/201
D445,252	S *	7/2001	Klamm	D3/276

D467,427	S *	12/2002	Wolf	D3/276
D479,652	S *	9/2003	Hassett	D3/289
D524,050	S *	7/2006	Suppancig	D3/289
D526,120	S *	8/2006	Lee	D3/233
D530,081	S *	10/2006	Moon	D3/232
D605,854	S *	12/2009	Gracer	D3/289
D629,196	S *	12/2010	Jusic	D3/273
D633,713	S *	3/2011	Bode	D3/232
D639,064	S *	6/2011	Raible	D3/301
D775,825	S *	1/2017	Chehebar	D3/276
2003/0029750	A1	2/2003	Boardman et al.	
2004/0108179	A1	6/2004	Scicluna et al.	

(Continued)

Primary Examiner — Sandra S Snapp

Assistant Examiner — Holly E Thurman

(74) *Attorney, Agent, or Firm* — Hunt Pennington Kumar
& Duba, PLLC

(57) **CLAIM**

The ornamental design for a portable modular storage system, as shown and described.

DESCRIPTION

FIG. 1 is a front view of the portable modular storage system showing our new design.

FIG. 2 is an exploded front view thereof;

FIG. 3 is a back view of FIG. 1;

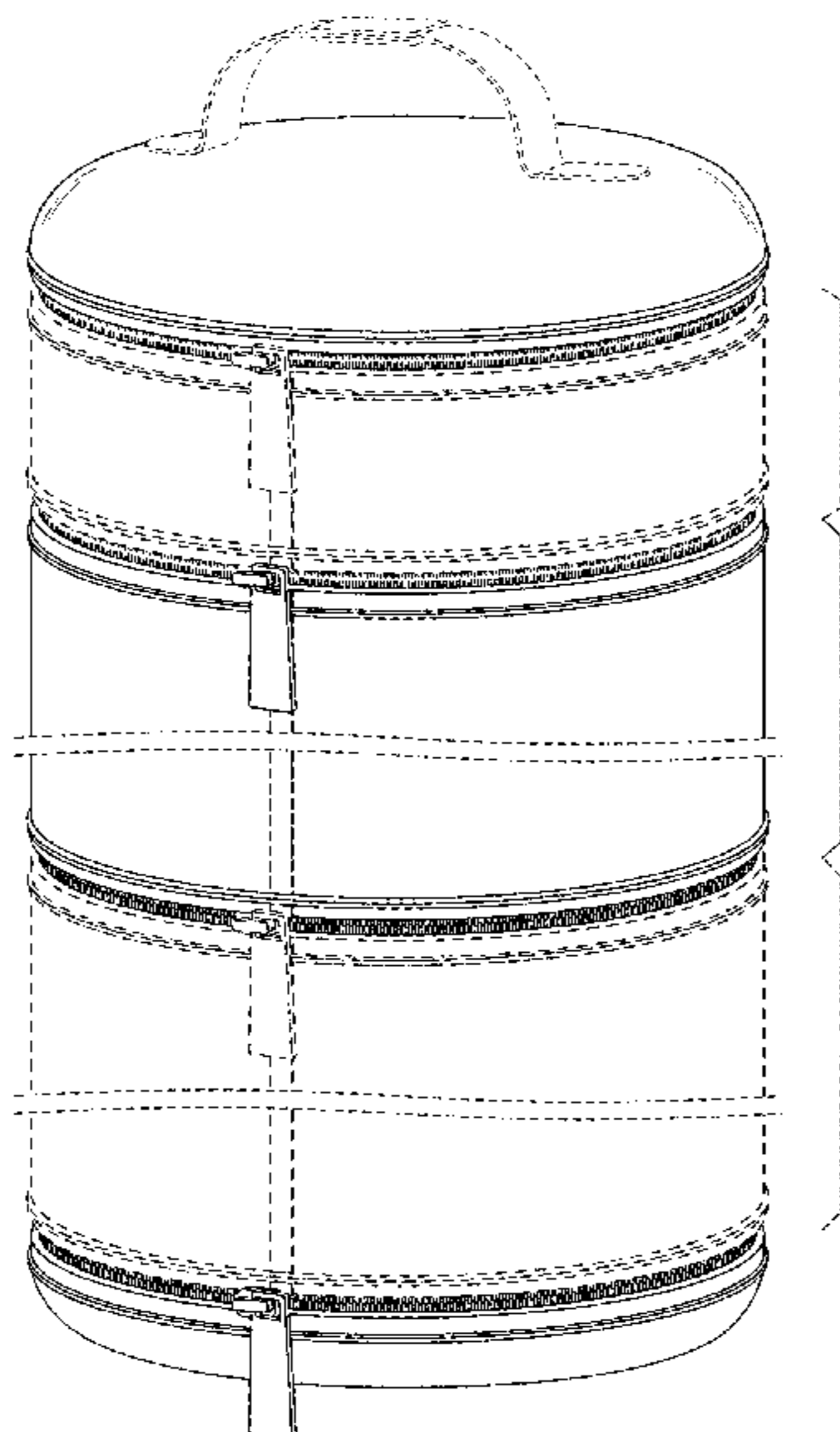
FIG. 4 is an exploded back view thereof;

FIG. 5 is another exploded front view of FIG. 1; and,

FIG. 6 is an exploded front perspective view thereof.

The cutaway symbols illustrated in break lines in the drawings indicate a symbolic break in the length of the design for the portable modular storage system indicating an indeterminate length. The appearance of any portion of the article between the break lines forms no part of the claimed design. The broken lines shown in the drawings illustrate portions of the portable modular storage system that form no part of the claimed design.

1 Claim, 4 Drawing Sheets



(56)

References Cited

U.S. PATENT DOCUMENTS

2007/0175787 A1 8/2007 Lown et al.
2013/0140120 A1 6/2013 Rasmussen

* cited by examiner

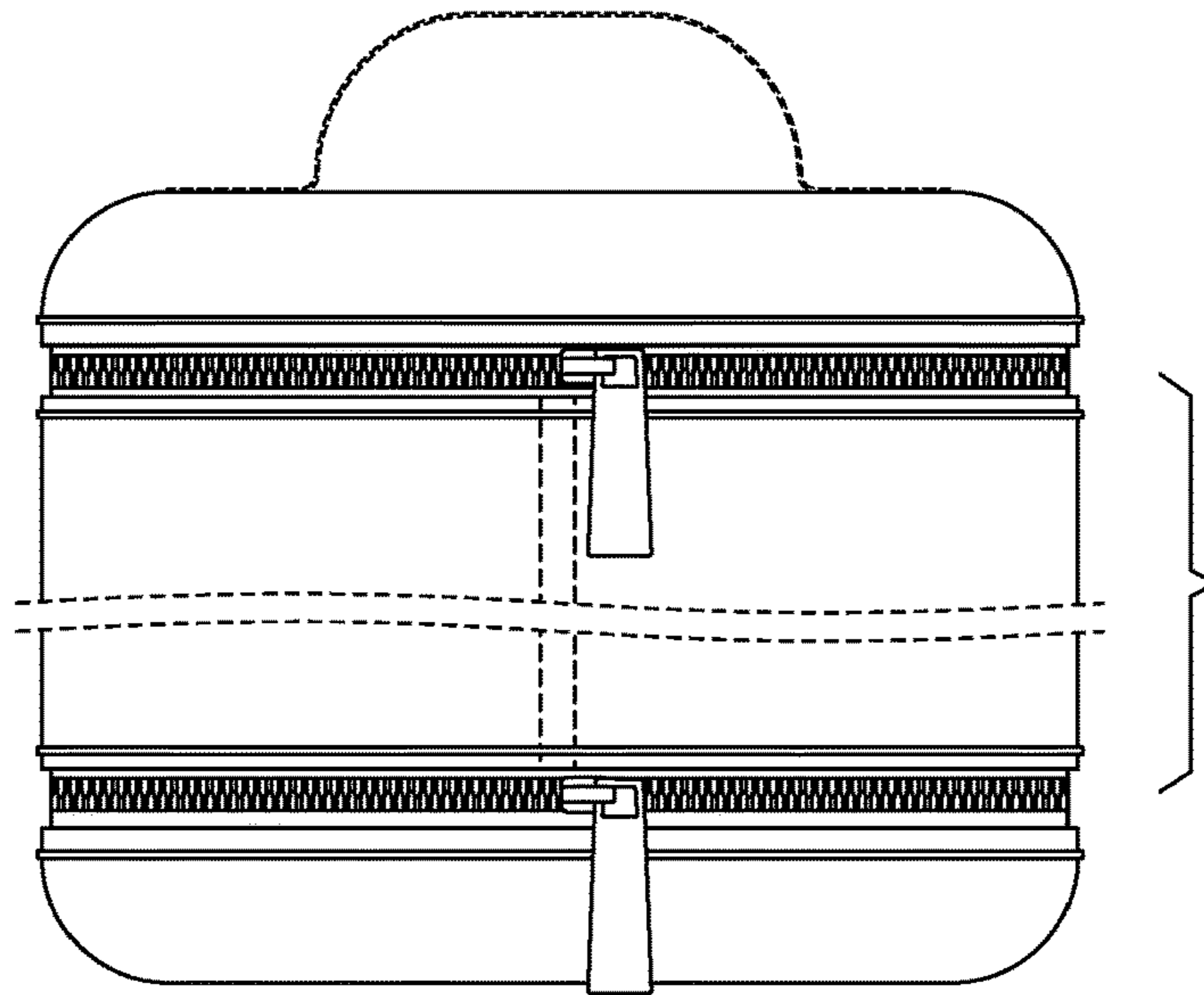


FIG. 1

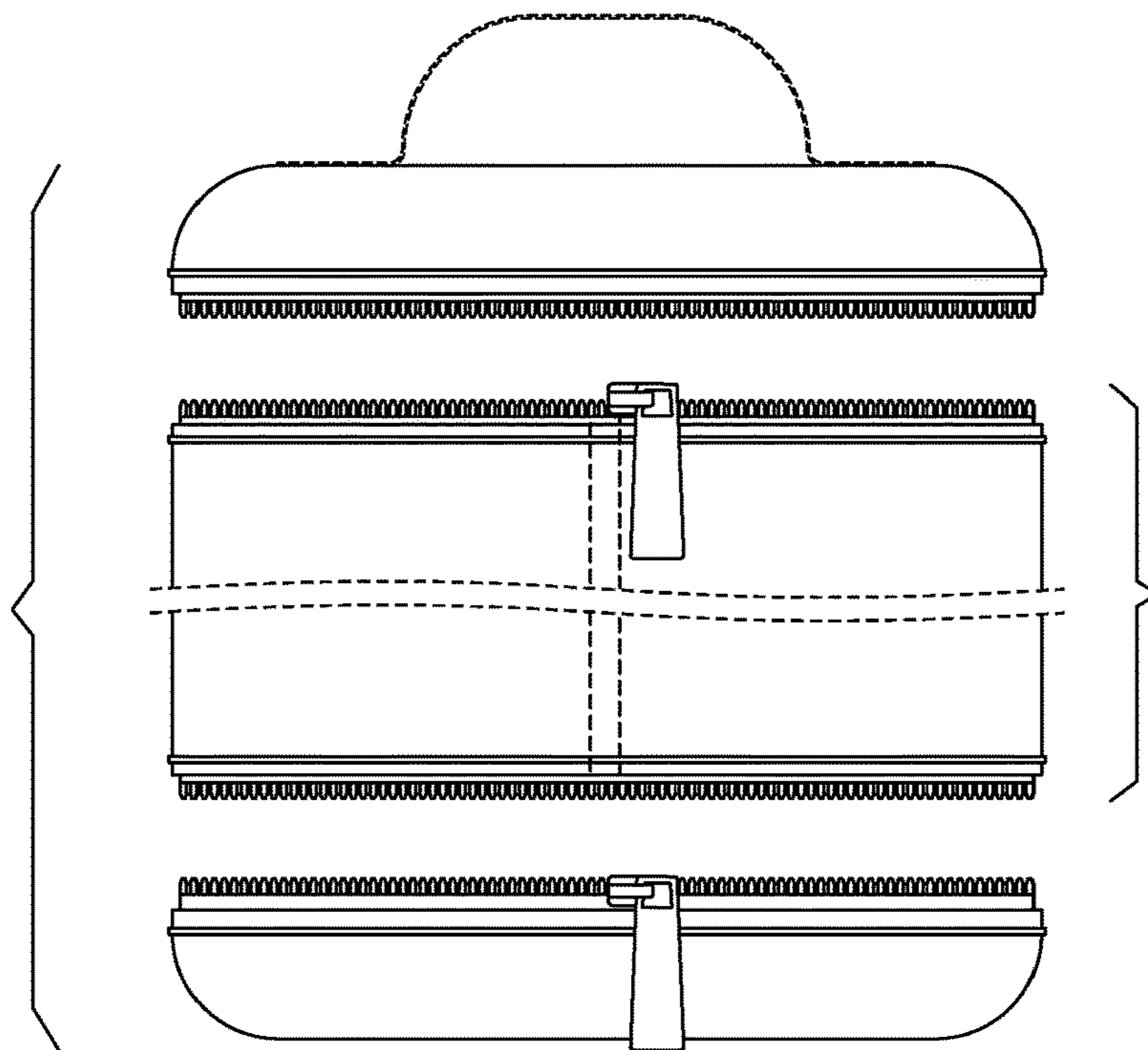


FIG. 2

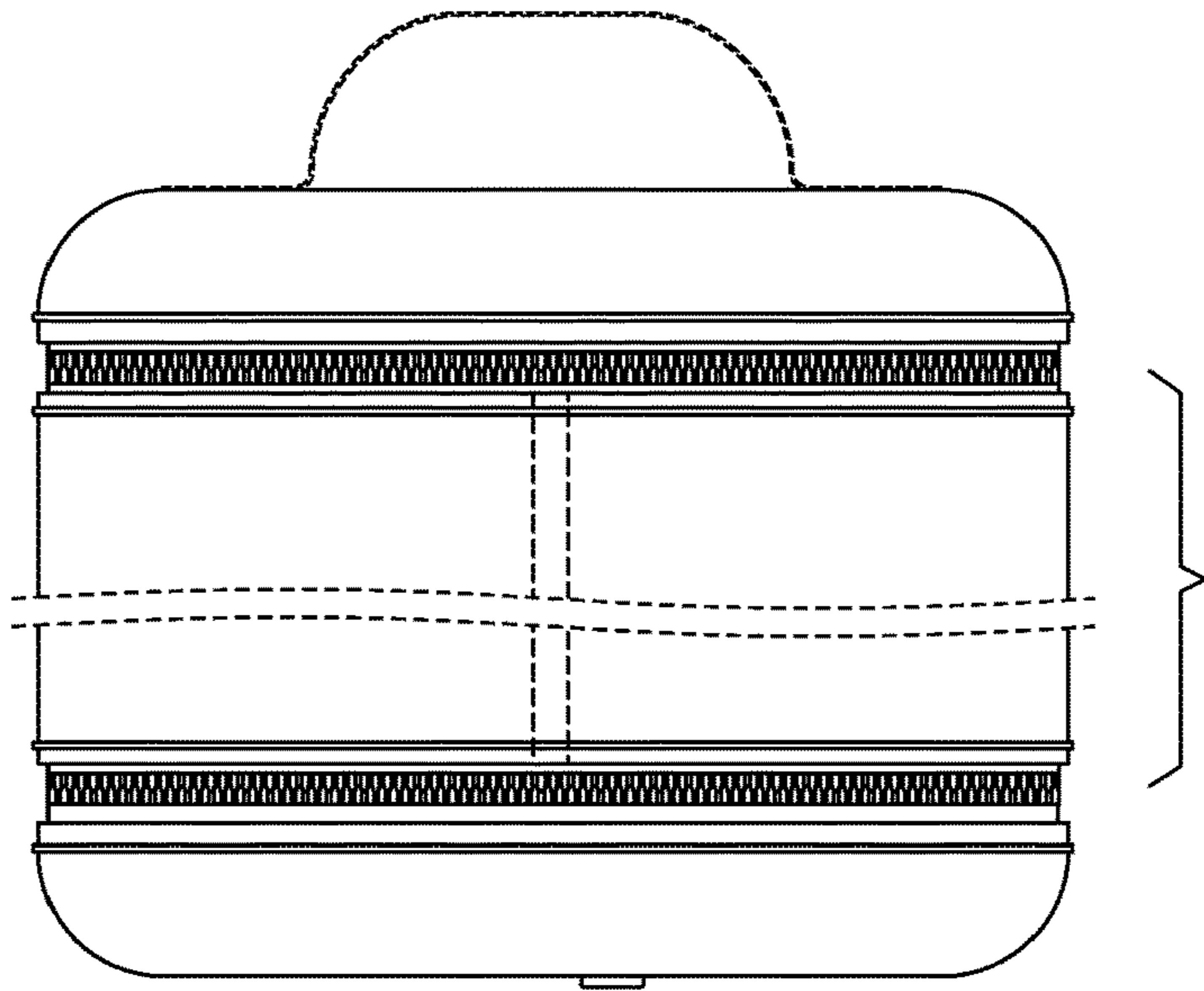


FIG. 3



FIG. 4

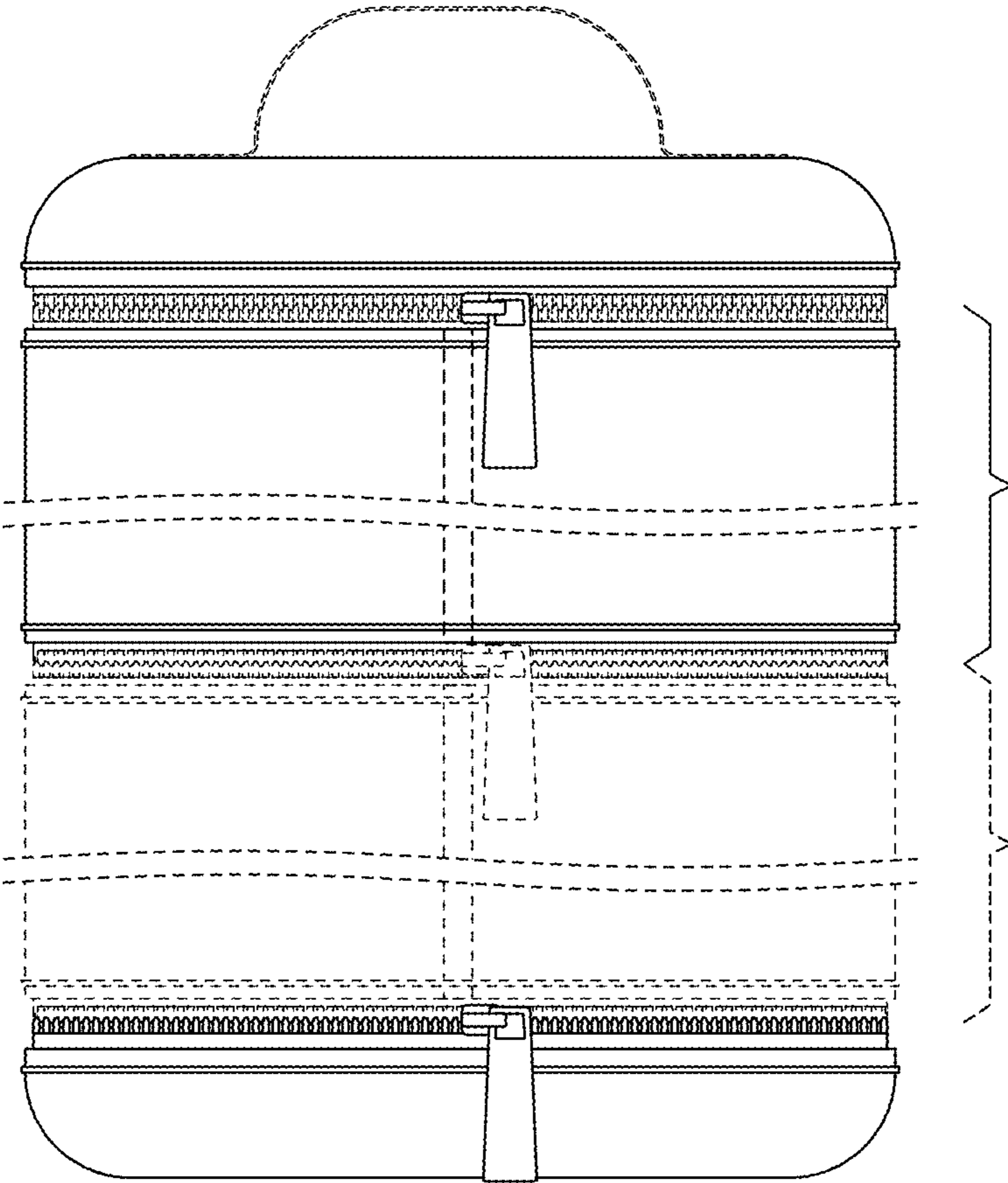


FIG. 5

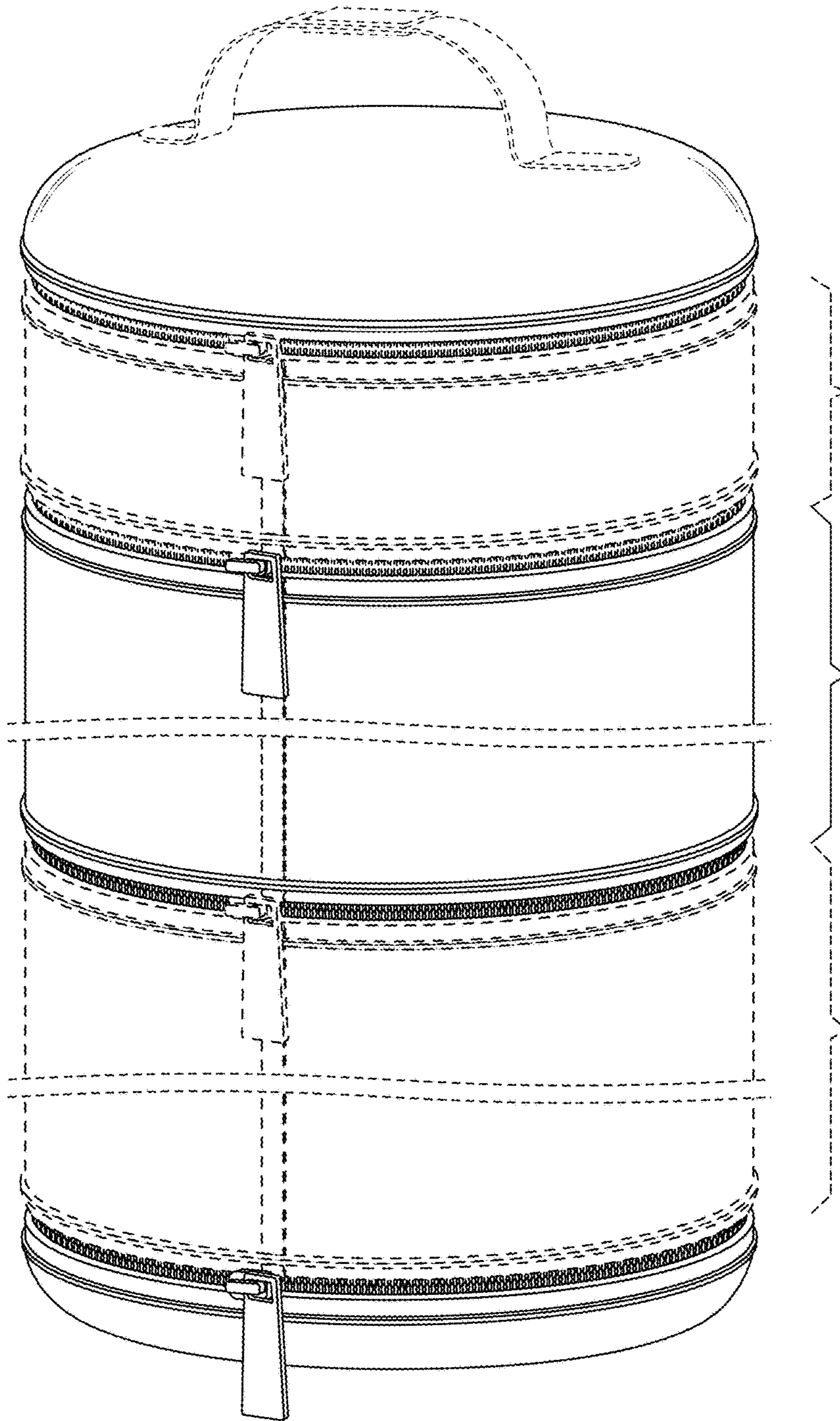


FIG. 6