



US00D822991S

(12) **United States Design Patent**
Sorokin

(10) **Patent No.:** **US D822,991 S**

(45) **Date of Patent:** **** Jul. 17, 2018**

- (54) **BOX**
- (71) Applicant: **Limited Liability Company**
“DINAMO”, Glazov Udmurt Republic (RU)
- (72) Inventor: **Nikolai Borisovich Sorokin**, Udmurt Republic (RU)
- (73) Assignee: **DINAMO LIMITED LIABILITY COMPANY**, Glazov, Udmurt (RU)
- (**) Term: **15 Years**
- (21) Appl. No.: **29/588,758**
- (22) Filed: **Dec. 22, 2016**

(30) **Foreign Application Priority Data**

Jun. 22, 2016 (RU) 2016502477

(51) **LOC (11) Cl.** **03-01**

(52) **U.S. Cl.**
USPC **D3/262; D3/201; D3/293**

(58) **Field of Classification Search**
USPC D3/201, 204, 254, 262, 272, 273, 276,
D3/294, 315, 293
CPC A01K 97/00–97/08; F41C 33/02; F41C
33/06; F41C 33/00; A45C 11/24; A45C
13/00; A45C 13/001; G10G 7/005; B65D
85/00

See application file for complete search history.

(56) **References Cited**

U.S. PATENT DOCUMENTS

- 3,138,306 A * 6/1964 Bare F41C 33/06
206/317
- D228,494 S * 10/1973 Smith D3/262
- D252,715 S * 8/1979 Cole D3/262
- D278,189 S * 4/1985 Frydenberg D3/262

- 4,531,632 A * 7/1985 Weber G10G 7/005
206/14
- 4,770,327 A * 9/1988 Fortson A01K 97/06
220/533
- D318,371 S * 7/1991 Leverette D3/260
- D336,984 S * 7/1993 VanSkiver D3/262
- D362,116 S * 9/1995 Bellington D3/262
- D384,807 S * 10/1997 Dougherty D3/204
- 5,701,770 A 12/1997 Cook et al.
- D405,262 S * 2/1999 Cashdollar D3/276
- D407,557 S * 4/1999 Jones D3/276
- D483,178 S * 12/2003 Fiore, Jr. D3/254
- D514,808 S * 2/2006 Morine D3/273
- D574,150 S 8/2008 Ross
- D609,455 S * 2/2010 Coppiardi D3/204
- D617,525 S 6/2010 Taylor et al.
- D638,217 S * 5/2011 von Gottberg D3/281
- D664,763 S * 8/2012 Negrini D3/262
- D744,749 S * 12/2015 Negrini D3/262

(Continued)

Primary Examiner — Mitchell I. Siegel

(74) *Attorney, Agent, or Firm* — Andrew W. Chu; Craft Chu PLLC

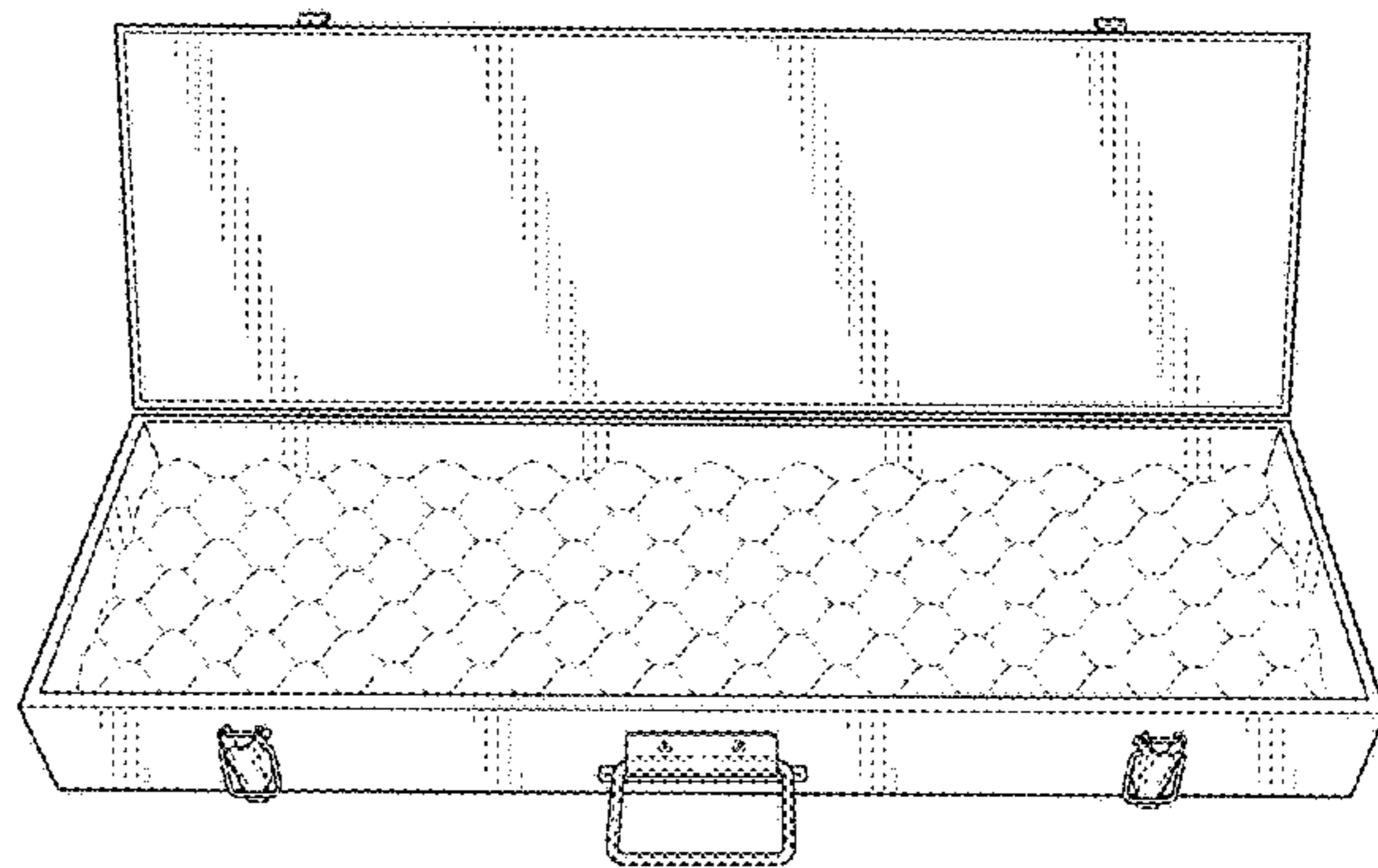
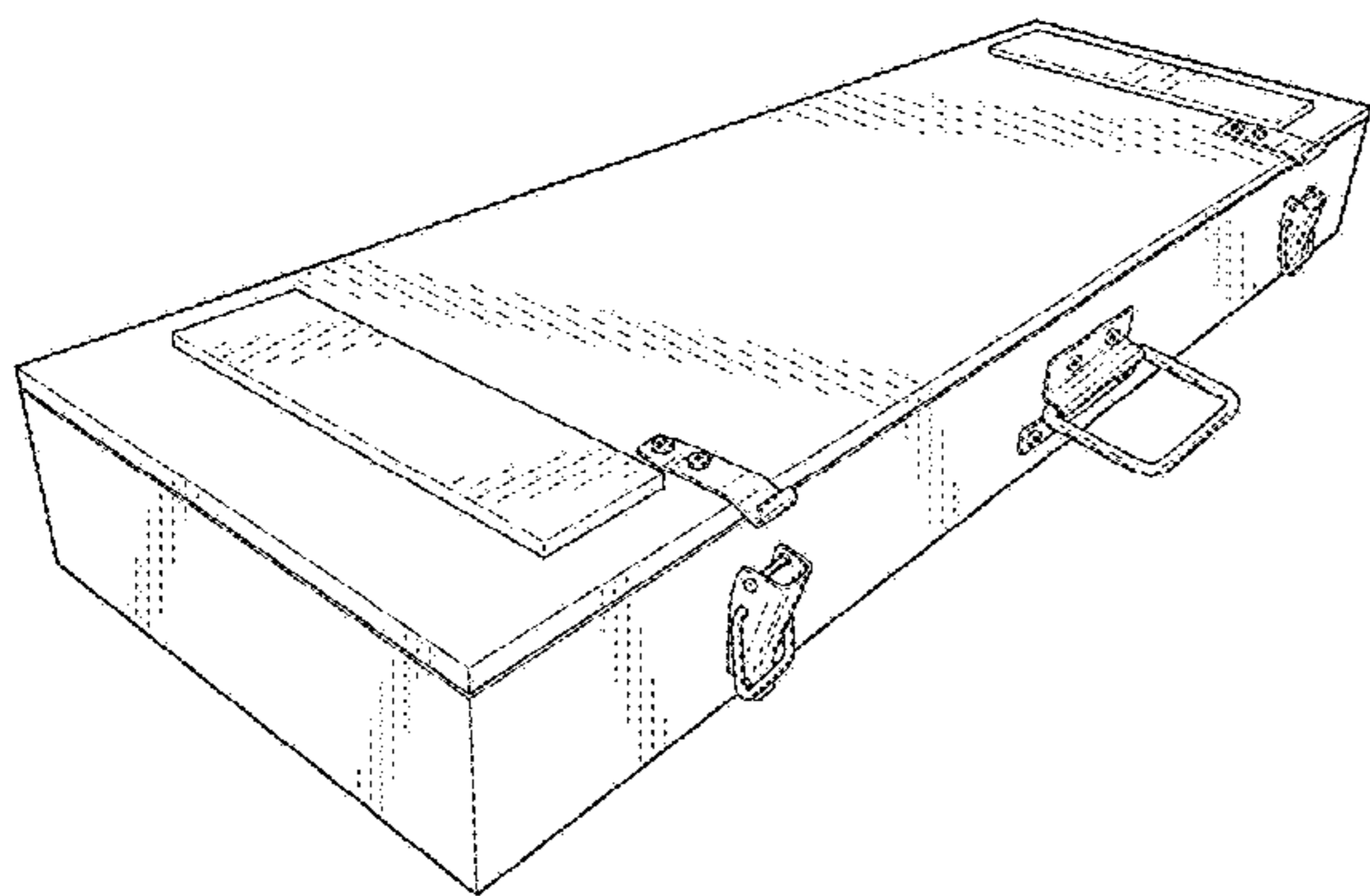
(57) **CLAIM**

The ornamental design for a box, as shown and described.

DESCRIPTION

FIG. 1 is a top perspective view of the box showing my new design;
 FIG. 2 is an end perspective view thereof, the latches and handle shown in an alternate position;
 FIG. 3 is an end perspective view, showing the lid in an open position;
 FIG. 4 is a top perspective view of FIG. 1;
 FIG. 5 is a rear perspective view of FIG. 1;
 FIG. 6 is a bottom perspective view FIG. 3; and,
 FIG. 7 is front perspective view of FIG. 3.
 The inner lining and inside of the box are unclaimed subject matter and form no part of the claimed design.

1 Claim, 3 Drawing Sheets



(56)

References Cited

U.S. PATENT DOCUMENTS

D766,382 S * 9/2016 Beaver D21/682
2004/0140280 A1 7/2004 Cleveland et al.
2004/0154940 A1* 8/2004 Minakuchi A45C 11/24
206/314

* cited by examiner

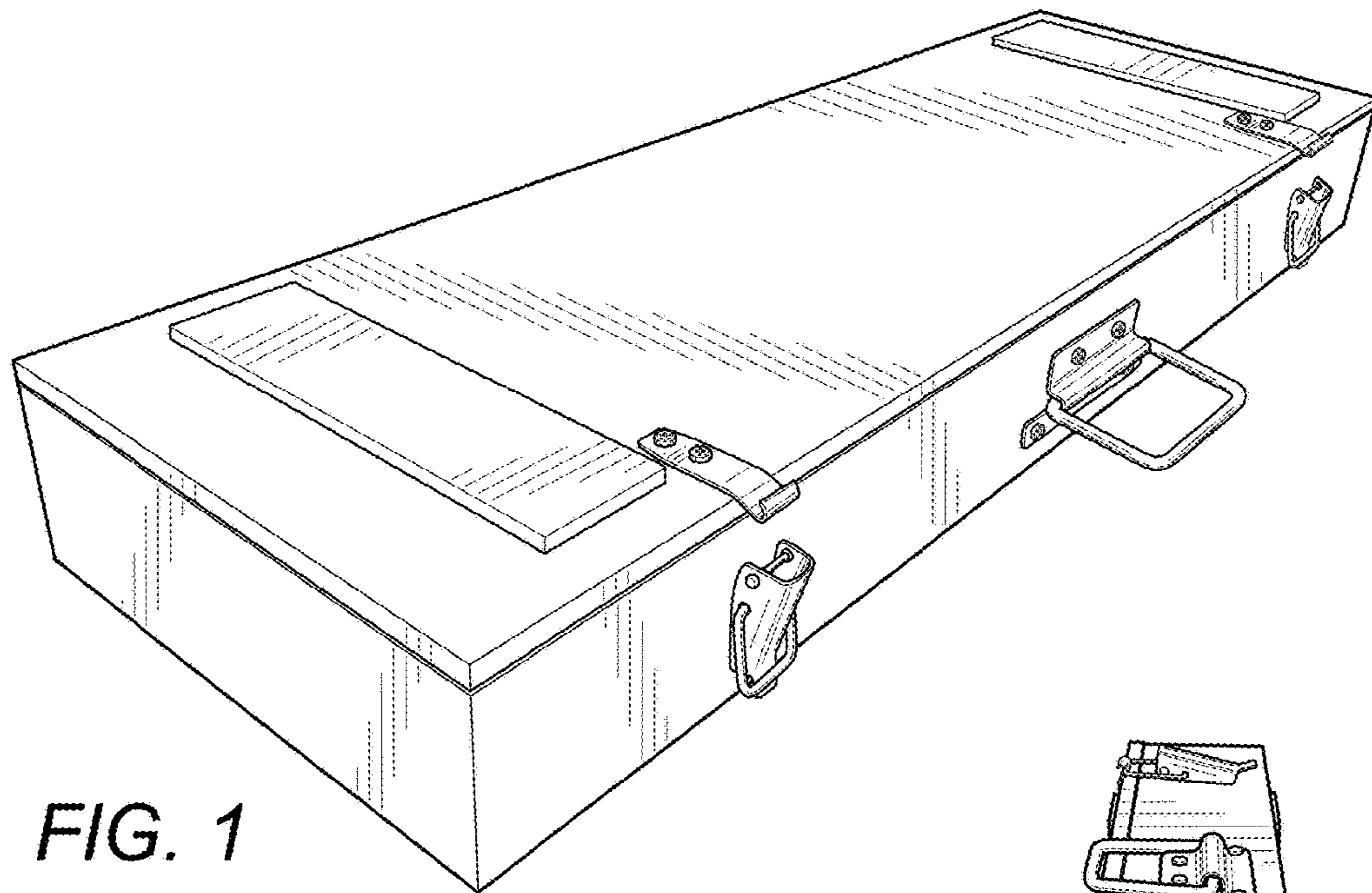


FIG. 1

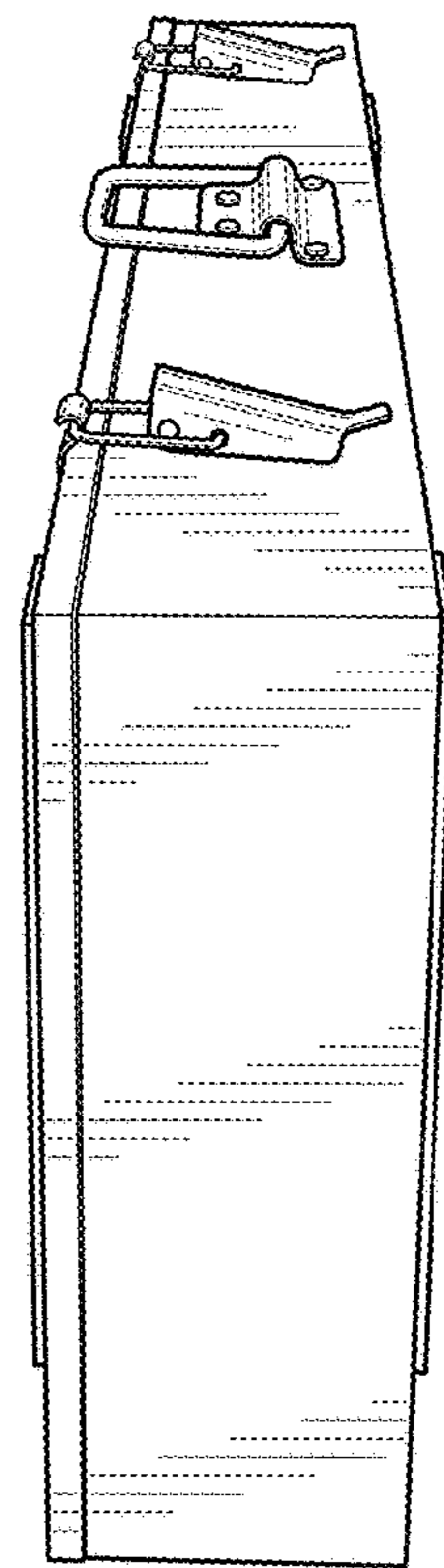
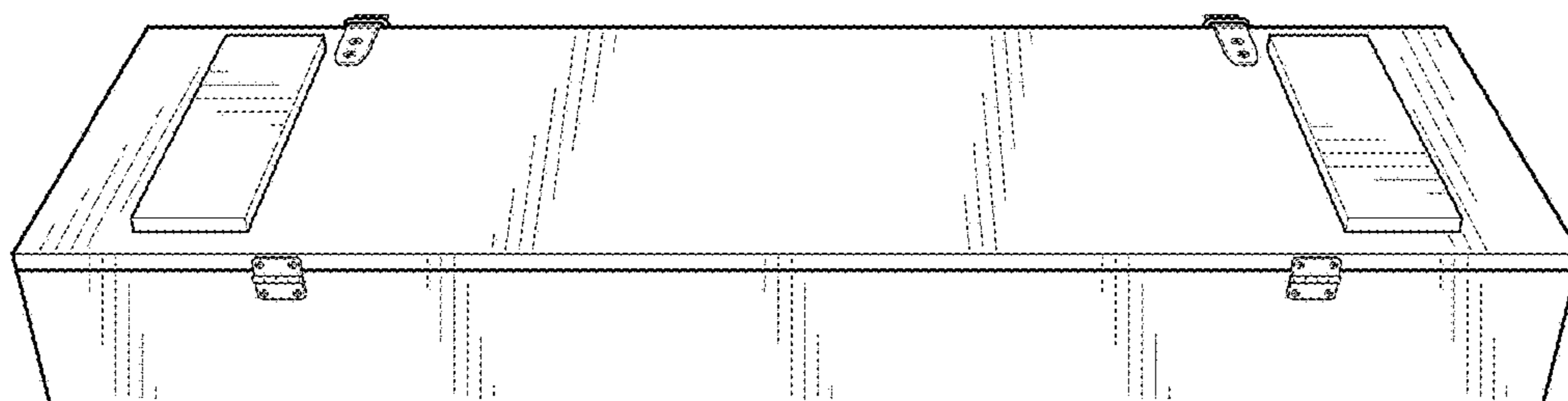
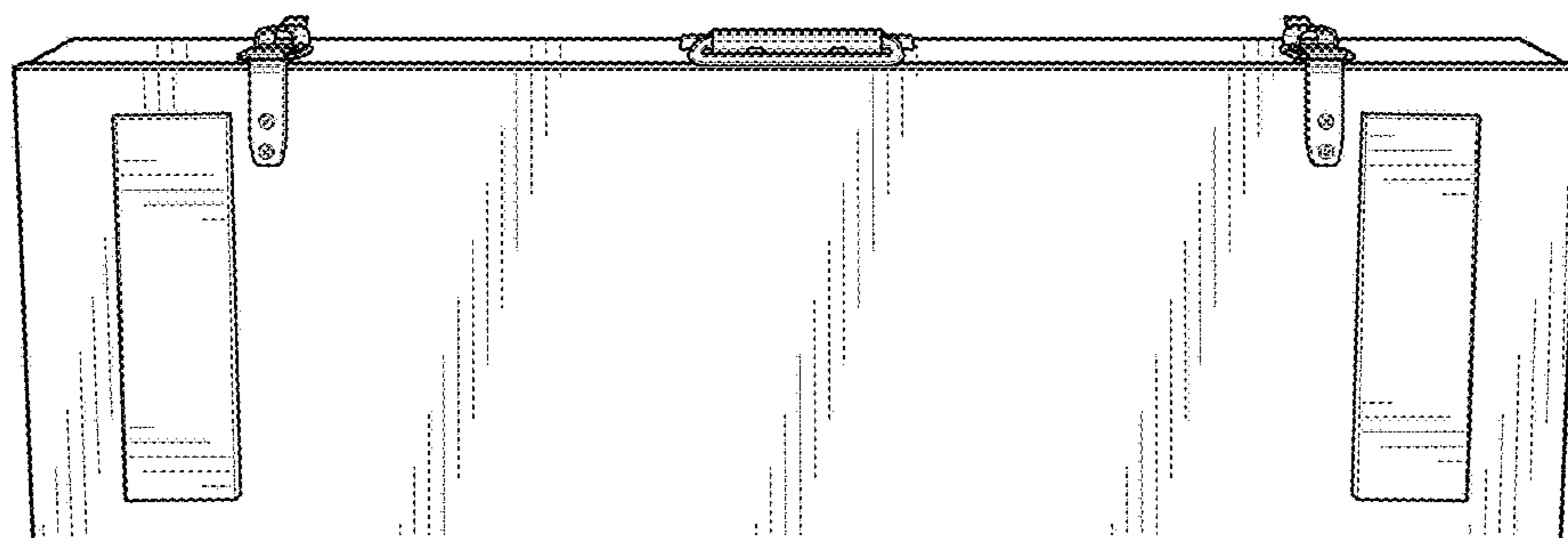
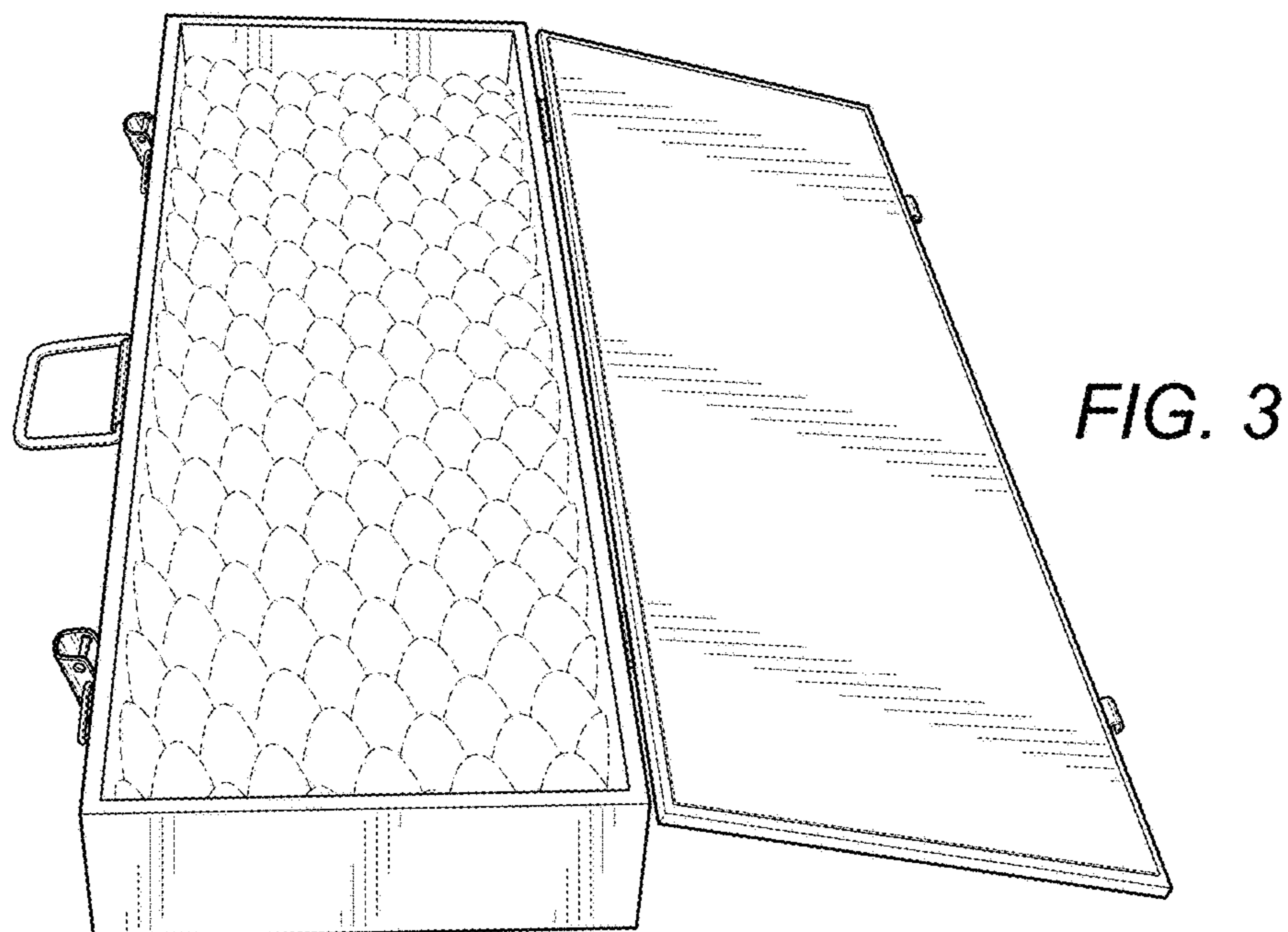


FIG. 2



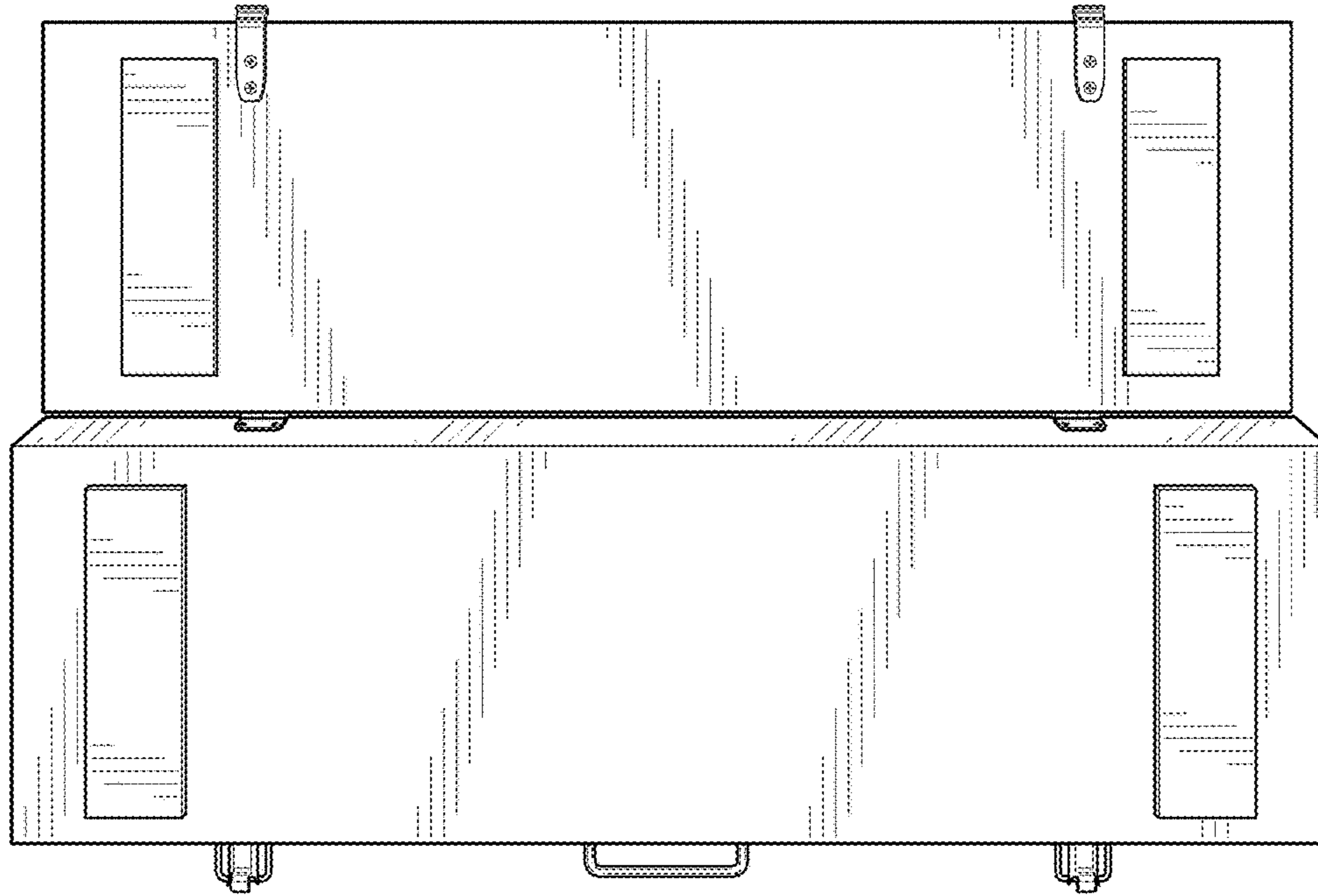


FIG. 6

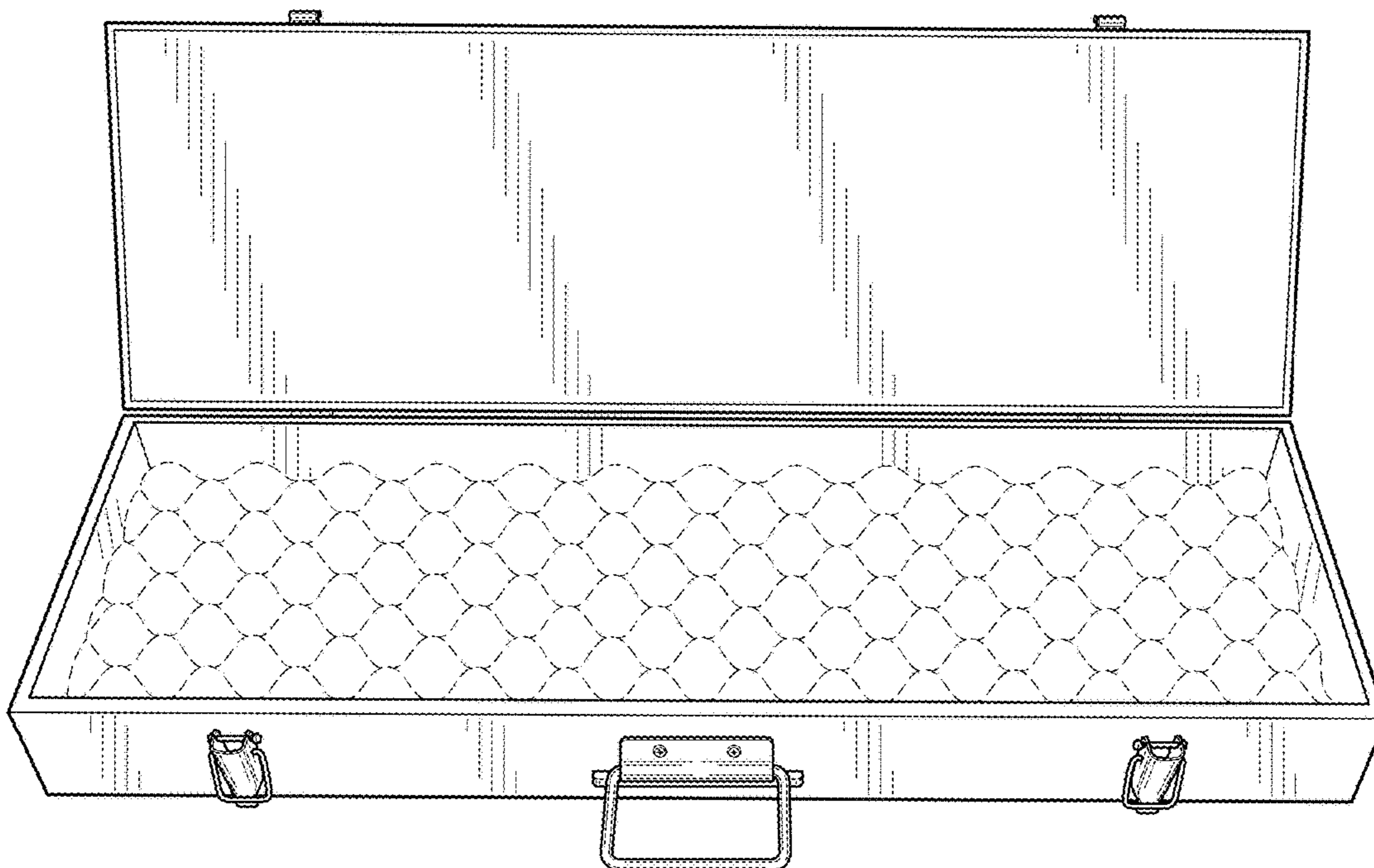


FIG. 7