

US00D822989S

(12) **United States Design Patent** (10) **Patent No.:** **US D822,989 S**  
**Persson** (45) **Date of Patent:** **\*\* Jul. 17, 2018**

(54) **COMBINED CREDIT CARD AND MOBILE PHONE HOLDER**

(71) Applicant: **CARLOBOLAGET AB**, Anderstorp (SE)

(72) Inventor: **Lars Persson**, Billinge (SE)

(73) Assignee: **CARLOBOLAGET AB**, Anderstorp (SE)

(\*\*) Term: **15 Years**

(21) Appl. No.: **35/501,706**

(22) Filed: **Sep. 29, 2016**

(80) **Hague Agreement Data**

Int. Filing Date: **Sep. 29, 2016**  
Int. Reg. No.: **DM/092786**  
Int. Reg. Date: **Sep. 29, 2016**  
Int. Reg. Pub. Date: **Oct. 14, 2016**

(30) **Foreign Application Priority Data**

Mar. 29, 2016 (WO) ..... DM/090 546

(51) **LOC (11) Cl.** ..... **03-01**

(52) **U.S. Cl.**  
USPC ..... **D3/249**; D14/250

(58) **Field of Classification Search**  
USPC ..... D3/201, 273; D14/250, 440, 447, 344, D14/439, 432, 300  
CPC ..... G06F 3/416; G06F 3/4886; G06F 3/41; G06F 3/45; G06F 1/1628; G06F 1/1613  
See application file for complete search history.

(56) **References Cited**

**U.S. PATENT DOCUMENTS**

D582,405 S \* 12/2008 Andre ..... D3/299  
8,763,795 B1 \* 7/2014 Oten ..... A45C 11/00  
206/320

D714,054 S \* 9/2014 Kershenstein ..... D3/269  
D724,092 S \* 3/2015 Zangari ..... D14/440  
D729,522 S \* 5/2015 Kim ..... D3/218  
D745,780 S \* 12/2015 Feng ..... D3/269  
D755,168 S \* 5/2016 Kim ..... D14/250  
D760,708 S \* 7/2016 Hirst ..... D14/250  
D762,615 S \* 8/2016 Kim ..... D14/203.4  
D772,214 S \* 11/2016 Daniel ..... D14/250  
D777,421 S \* 1/2017 Grote ..... D14/250  
D778,895 S \* 2/2017 Park ..... D14/250  
D778,896 S \* 2/2017 Park ..... D14/250  
D779,472 S \* 2/2017 Lee ..... D14/250  
D779,473 S \* 2/2017 Lee ..... D14/250  
D779,474 S \* 2/2017 Kim ..... D14/250  
D779,475 S \* 2/2017 Park ..... D14/250  
2014/0262934 A1 \* 9/2014 Fathollahi ..... A45C 13/002  
206/774  
2015/0230570 A1 \* 8/2015 Kim ..... A45C 1/06  
150/139

\* cited by examiner

*Primary Examiner* — Manpreet S Matharu  
*Assistant Examiner* — Holly E Thurman  
(74) *Attorney, Agent, or Firm* — Moser Taboada

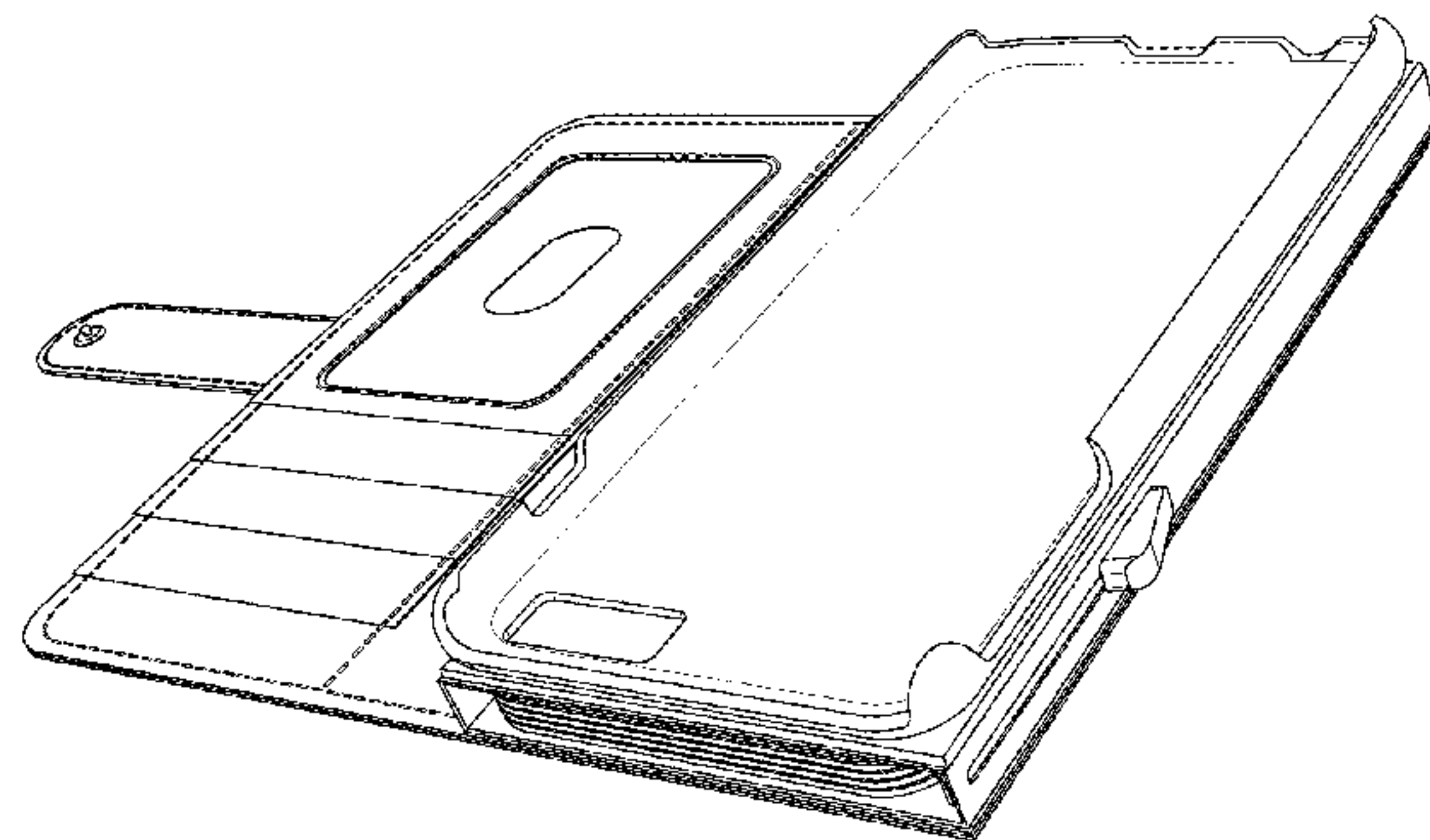
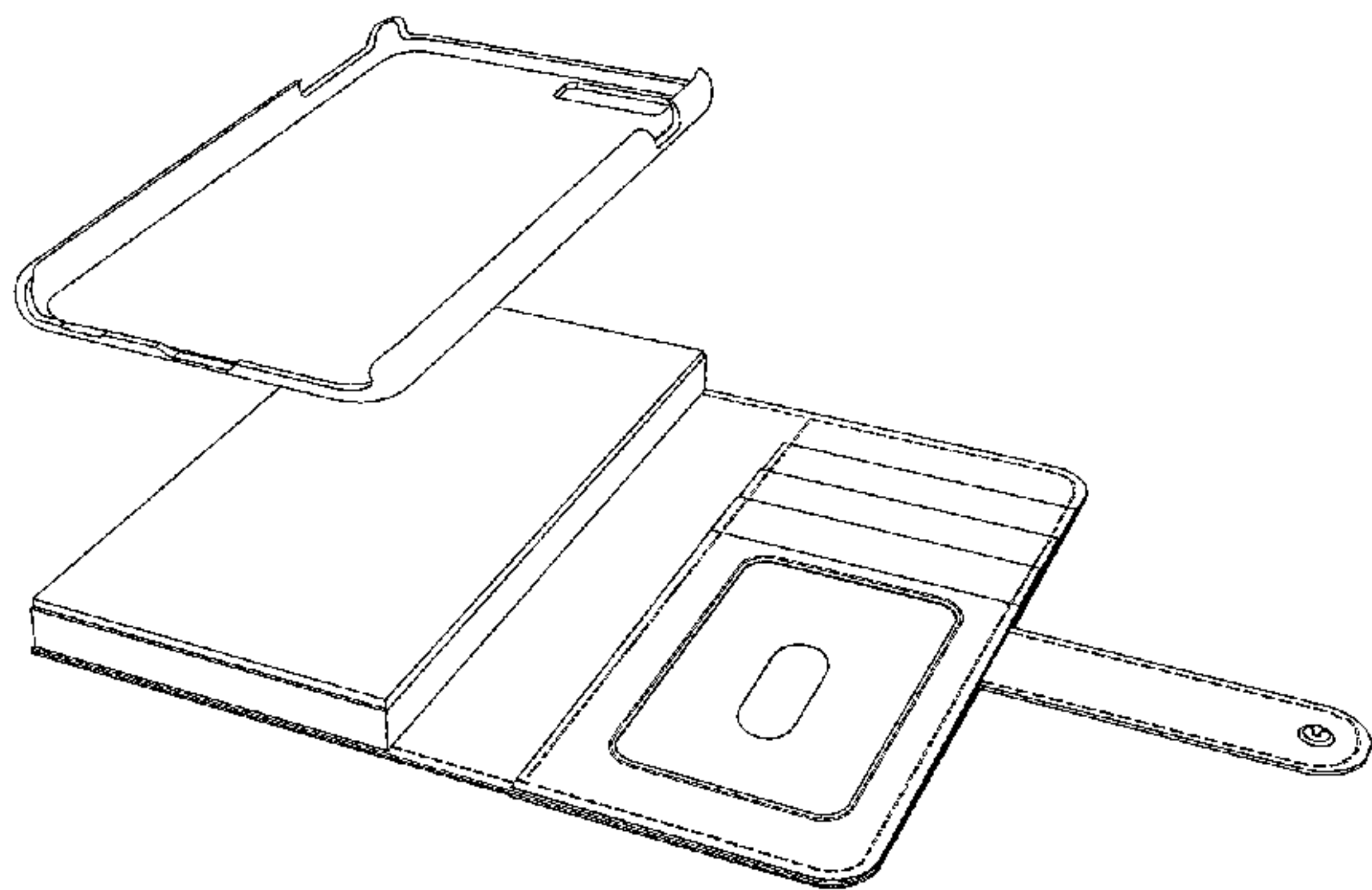
(57) **CLAIM**

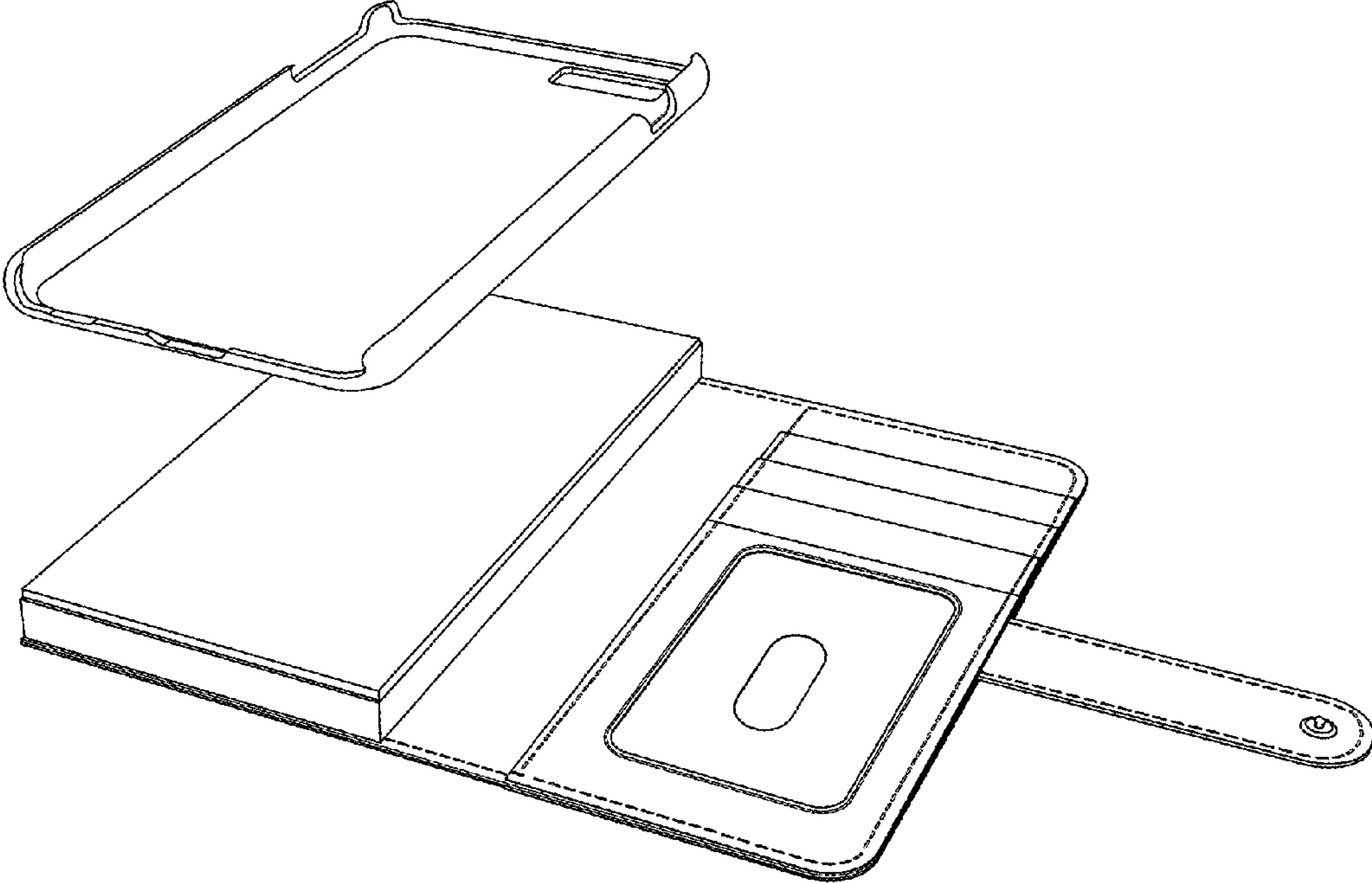
The ornamental design for a combined credit card and mobile phone holder, as shown and described.

**DESCRIPTION**

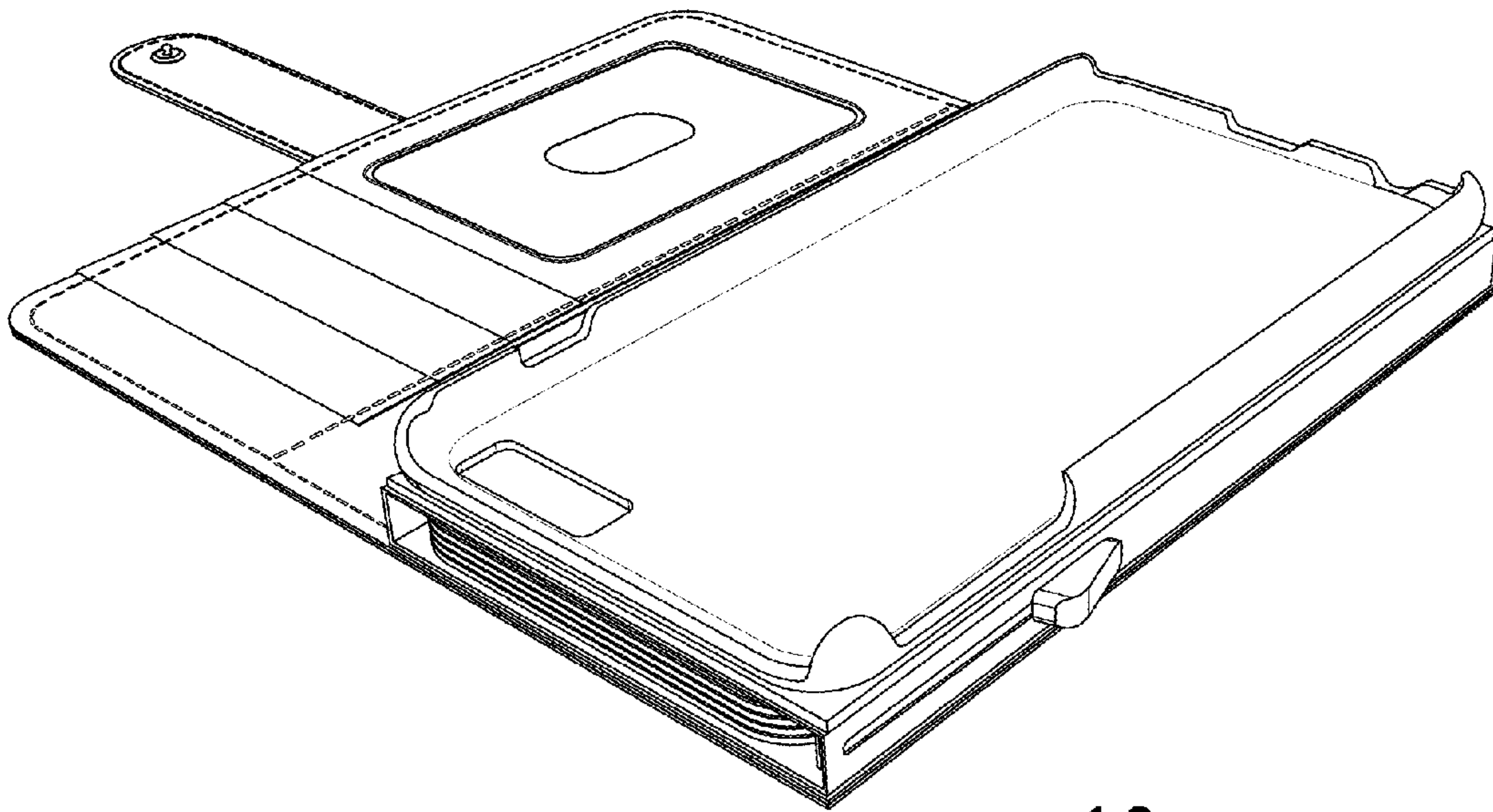
1.1-1.5 Combined credit card and mobile phone holders  
**1.1** is an exploded bottom perspective view of a combined credit card and mobile phone holder in an open state.  
**1.2** is a top perspective view of the combined credit card and mobile phone holder of **1.1**.  
**1.3** is a back perspective view of the combined credit card and mobile phone holder of **1.1**.  
**1.4** is a front perspective view of the combined credit card and mobile phone holder of **1.1** in a closed state.  
**1.5** is a back perspective view of the combined credit card and mobile phone holder of **1.1** in a closed state.

**1 Claim, 5 Drawing Sheets**

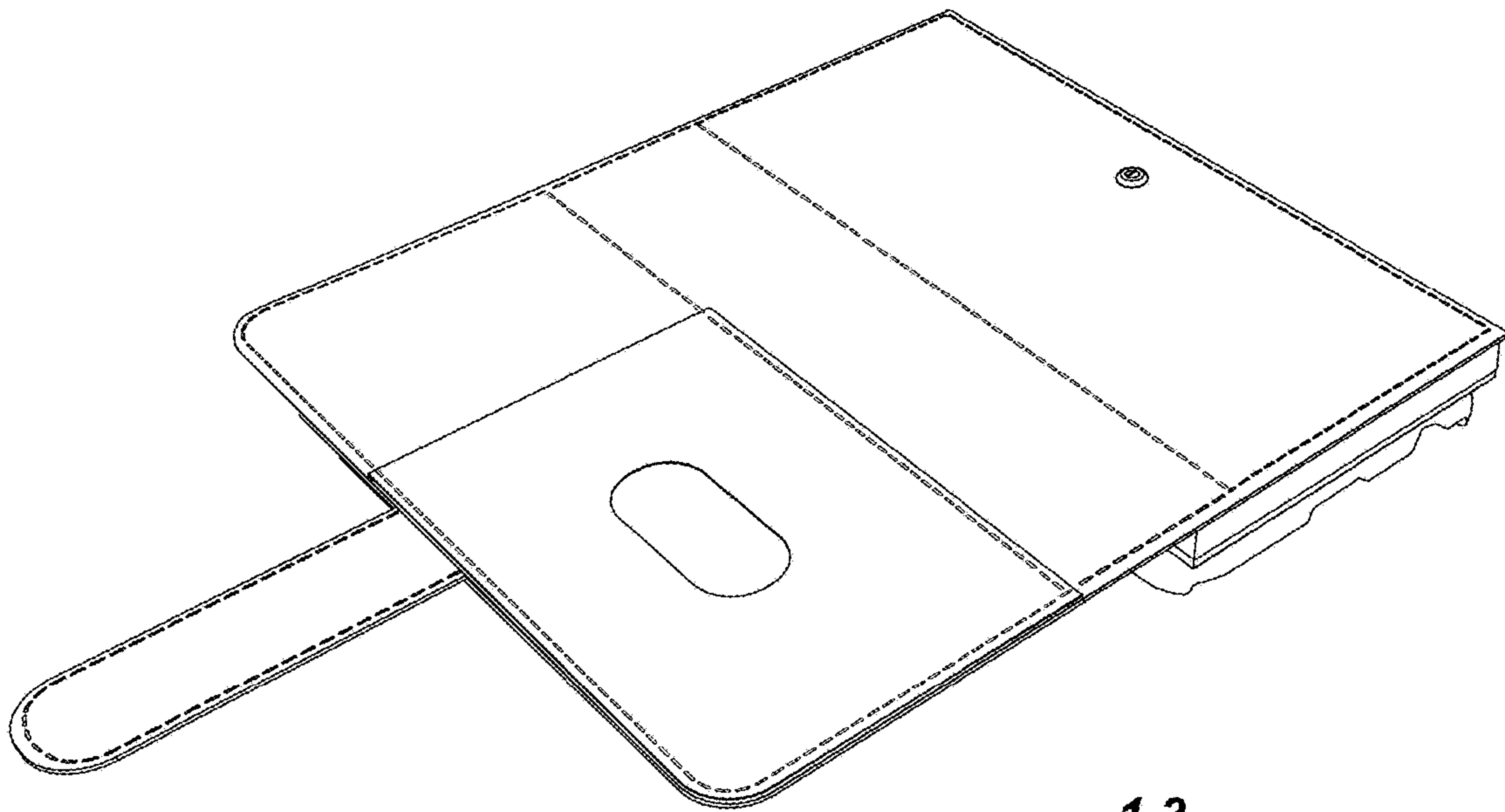




1.1

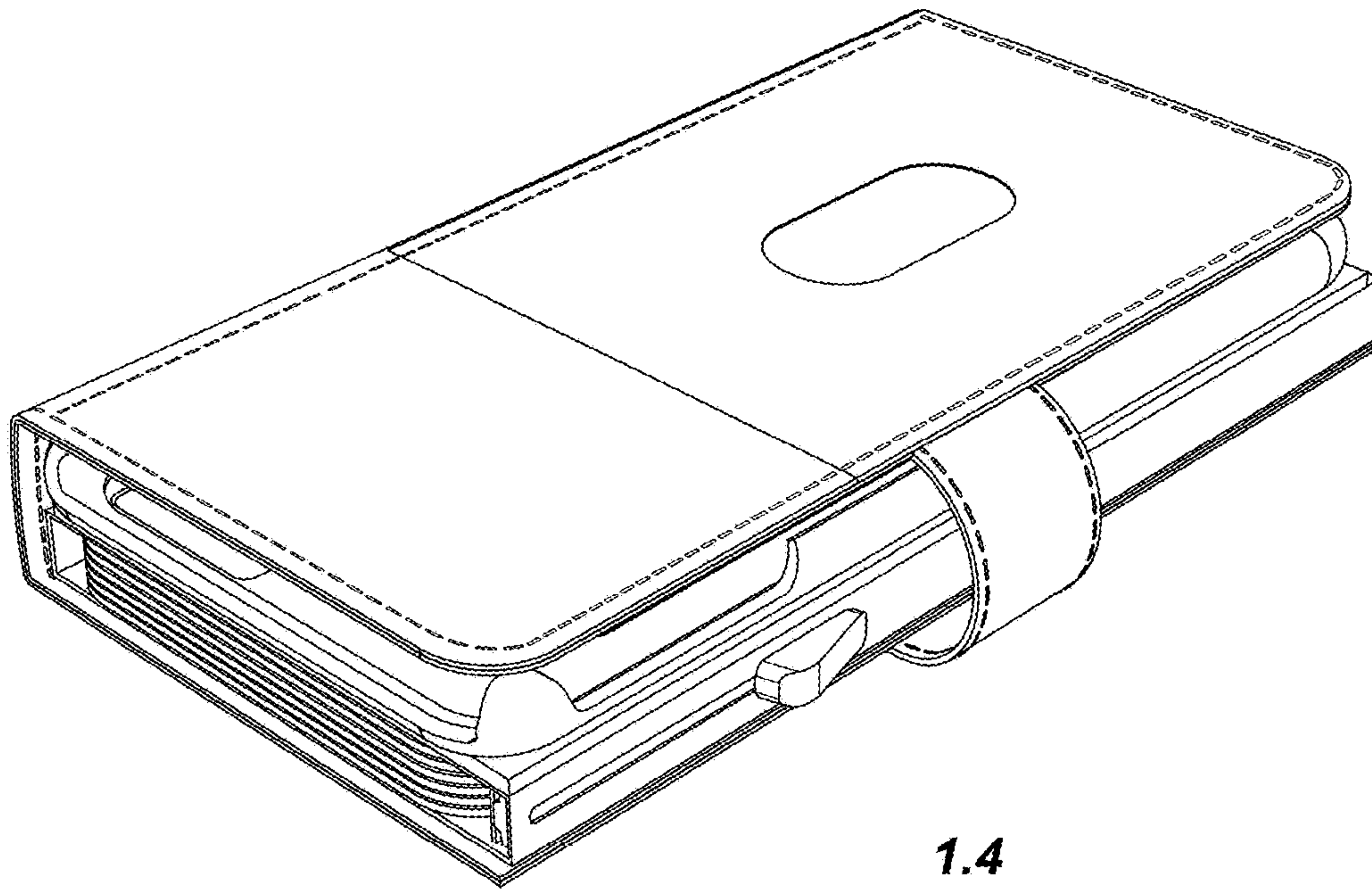


1.2

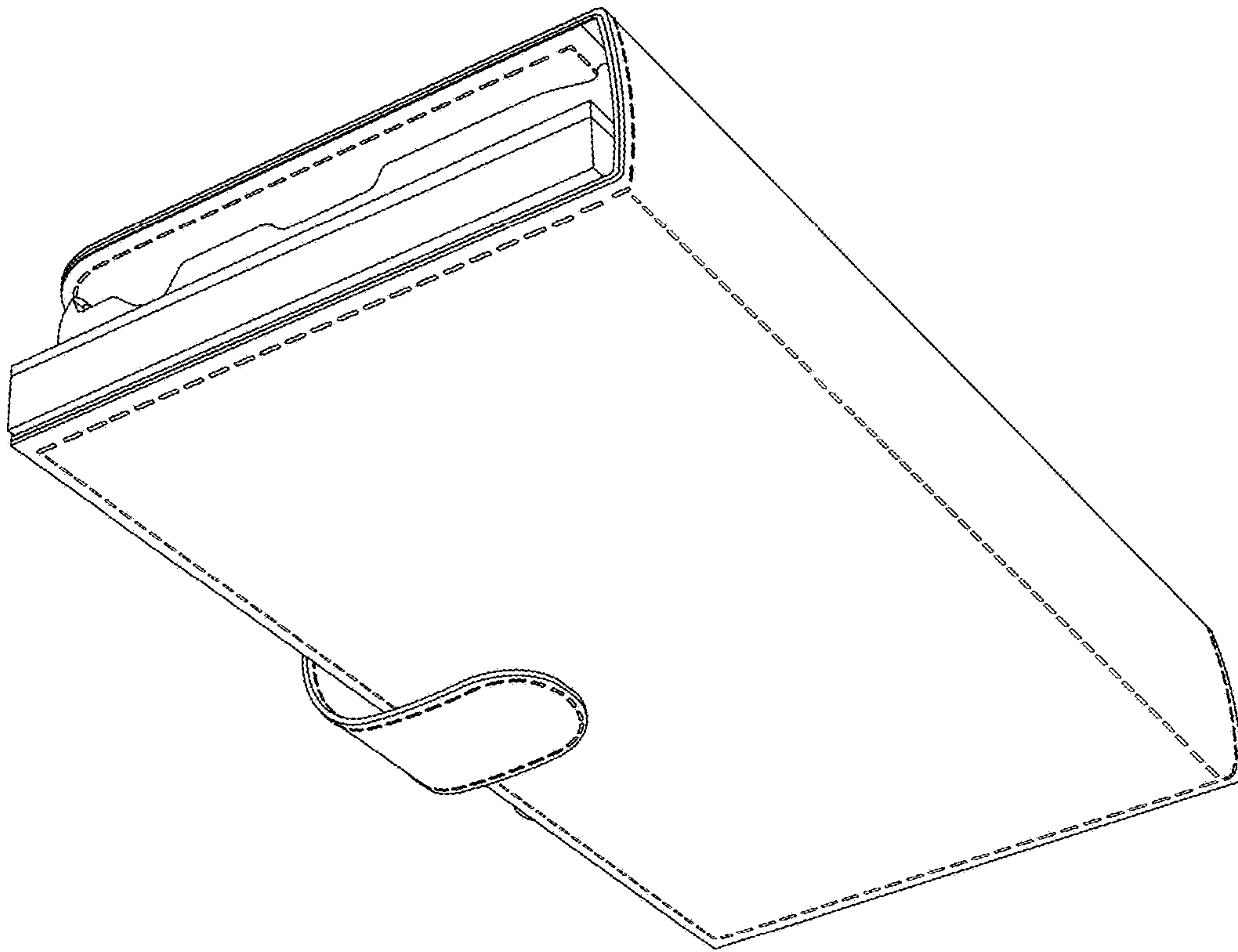


1.3





1.4



1.5