



US00D822984S

(12) **United States Design Patent**
West

(10) **Patent No.:** **US D822,984 S**

(45) **Date of Patent:** **** Jul. 17, 2018**

(54) **HANDBAG FOR PET SUPPLIES**

6,010,050 A * 1/2000 Tarr A45C 3/02
224/578

(71) Applicant: **Jessica Gize West**, Bloomington, IN
(US)

* cited by examiner

(72) Inventor: **Jessica Gize West**, Bloomington, IN
(US)

Primary Examiner — Holly H Baynham

(74) *Attorney, Agent, or Firm* — Dunlap Bennett &
Ludwig PLLC

(**) Term: **15 Years**

(57) **CLAIM**

(21) Appl. No.: **29/591,344**

The ornamental design for a handbag for pet supplies, as
shown and described.

(22) Filed: **Jan. 19, 2017**

DESCRIPTION

(51) **LOC (11) Cl.** **03-01**

(52) **U.S. Cl.**
USPC **D3/231**

(58) **Field of Classification Search**
USPC D3/231–232
CPC A45C 1/024; A45C 3/06
See application file for complete search history.

FIG. 1 is a perspective view of a handbag for pet supplies,
showing my new design;
FIG. 2 is a front elevation view of FIG. 1;
FIG. 3, the right side elevation view of FIG. 1;
FIG. 4 is a rear elevation view of FIG. 1;
FIG. 5 is a left side elevation view of FIG. 1;
FIG. 6 is a top plan view of FIG. 1; and,
FIG. 7 is a bottom plan view of FIG. 1.

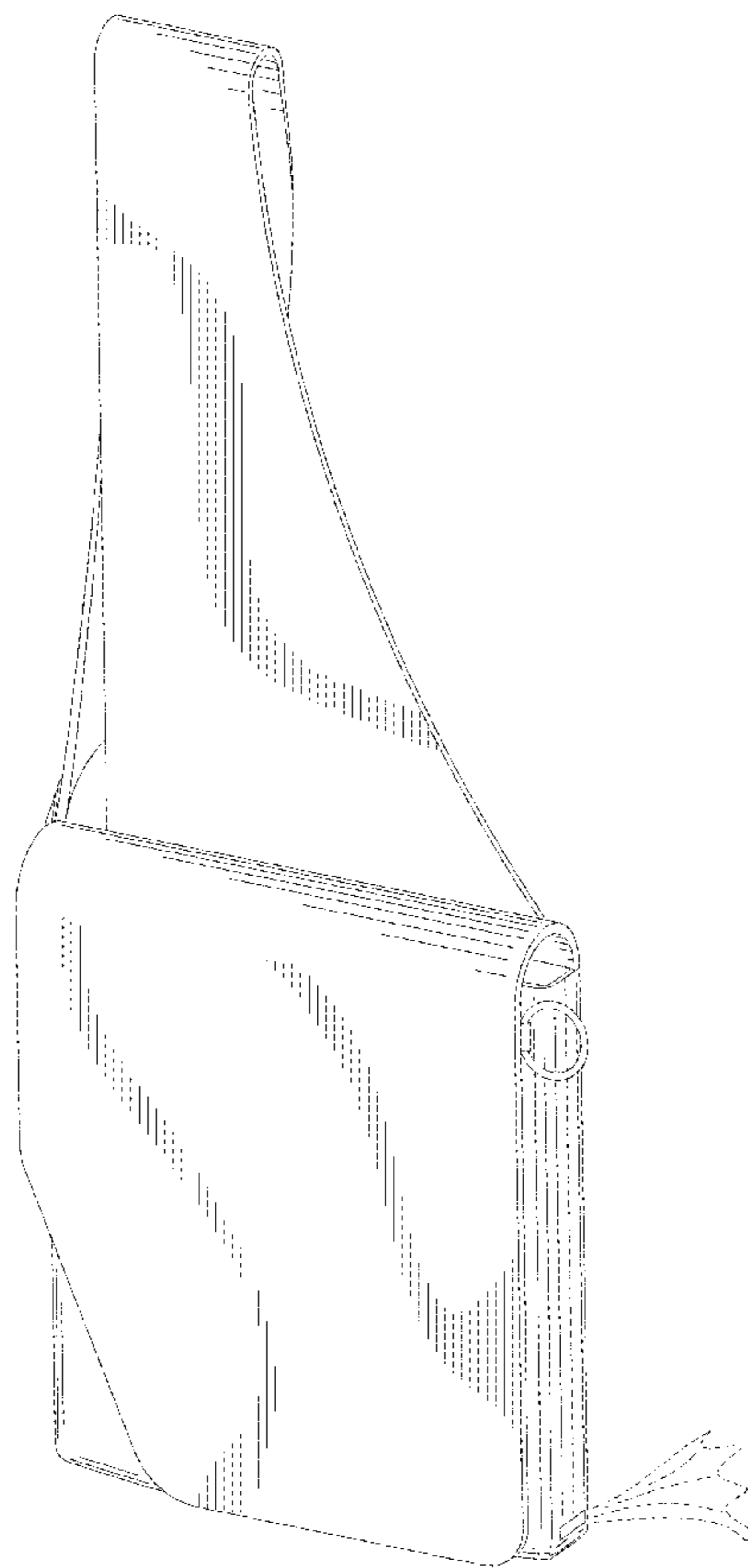
(56) **References Cited**

U.S. PATENT DOCUMENTS

D234,326 S * 2/1975 Kato 224/42.11
D254,698 S * 4/1980 Tawil D3/231
D292,847 S * 11/1987 Barker D3/231
D371,457 S * 7/1996 Jacobs 224/609
D408,137 S * 4/1999 Leininger D3/201

The broken lines showing a protruding tissue depicts envi-
ronmental subject matter that forms no part of the claimed
design, while the remaining broken lines shown in the
drawings depict portions of the handbag for pet supplies that
form no part of the claimed design.

1 Claim, 4 Drawing Sheets



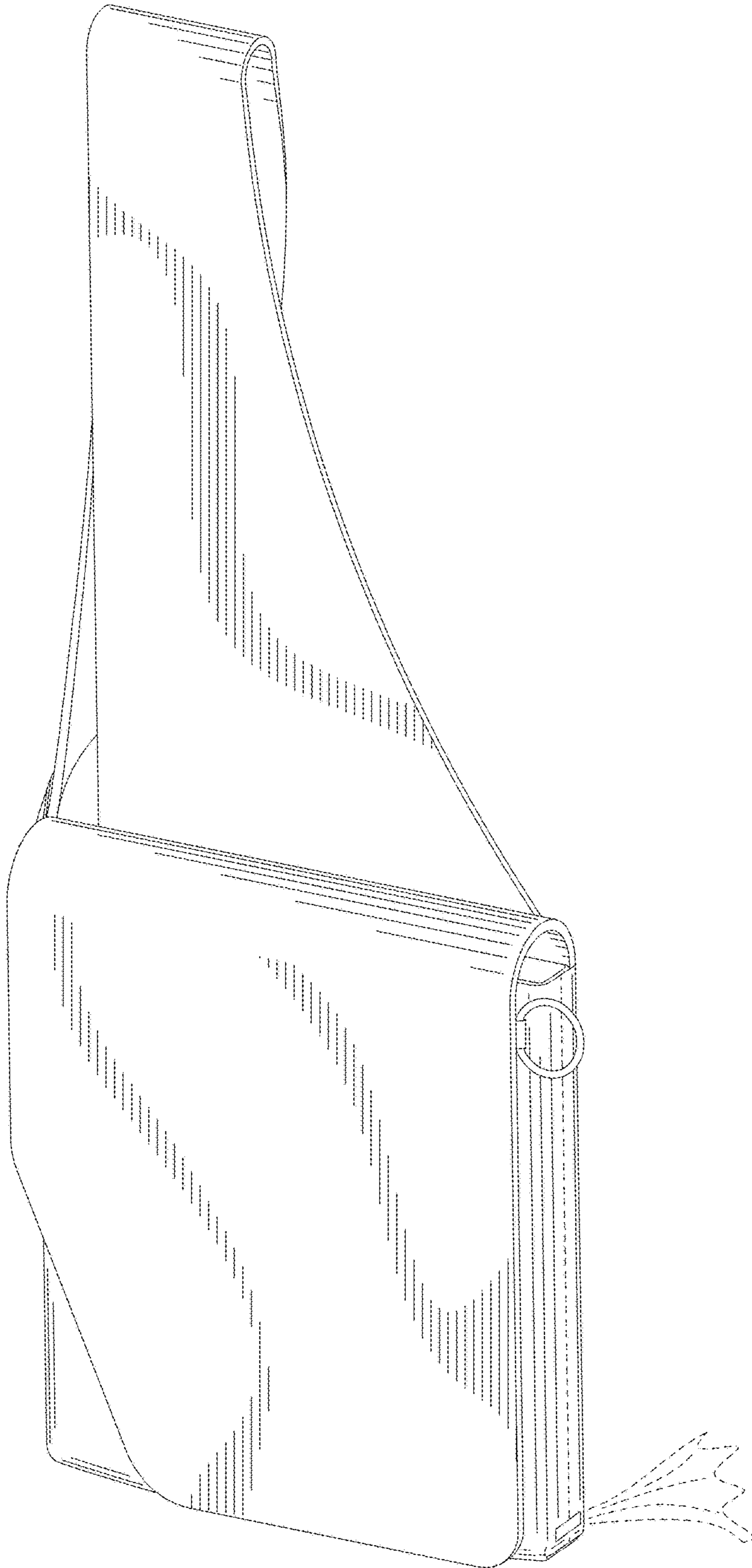


FIG. 1

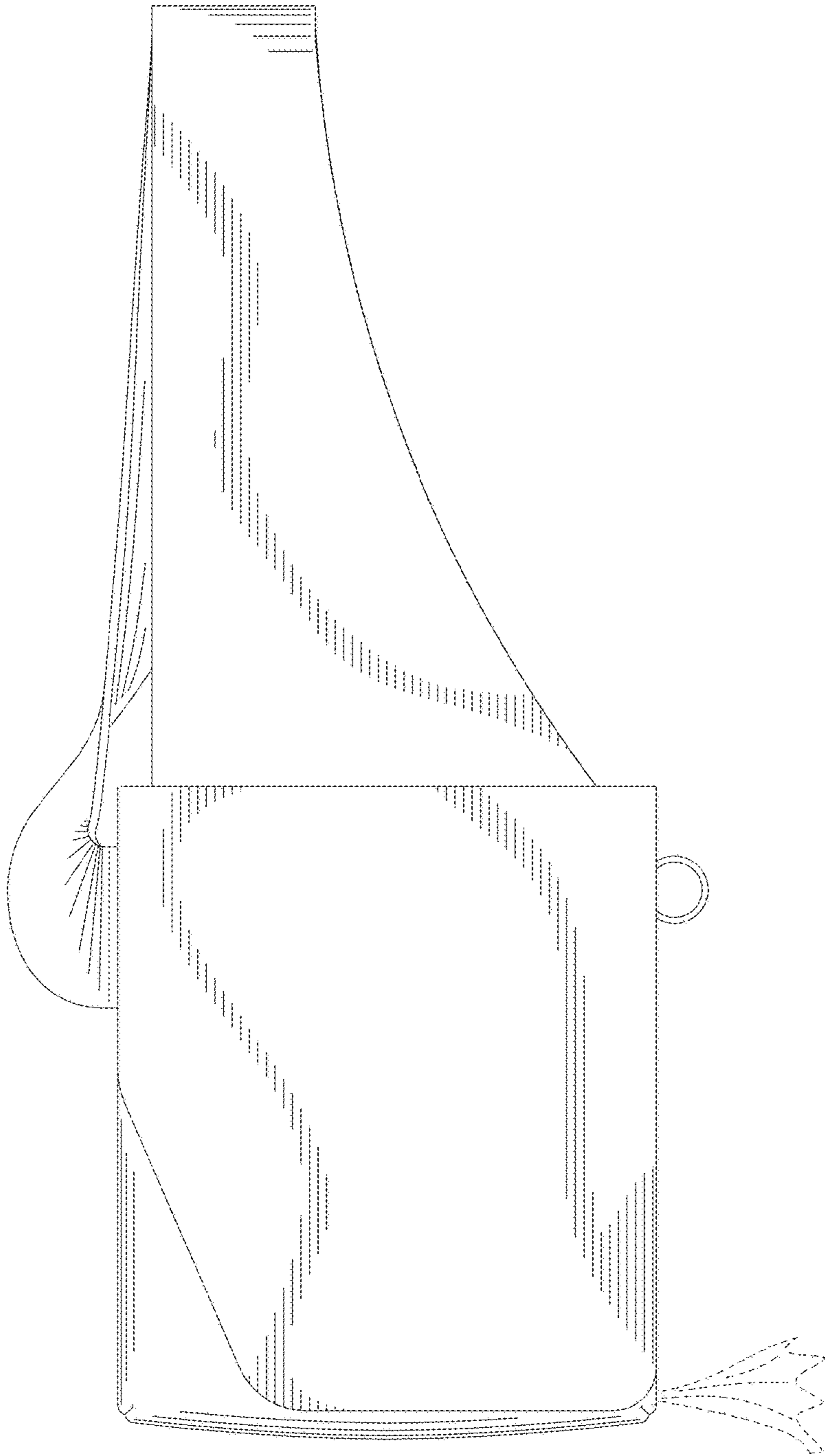


FIG. 2

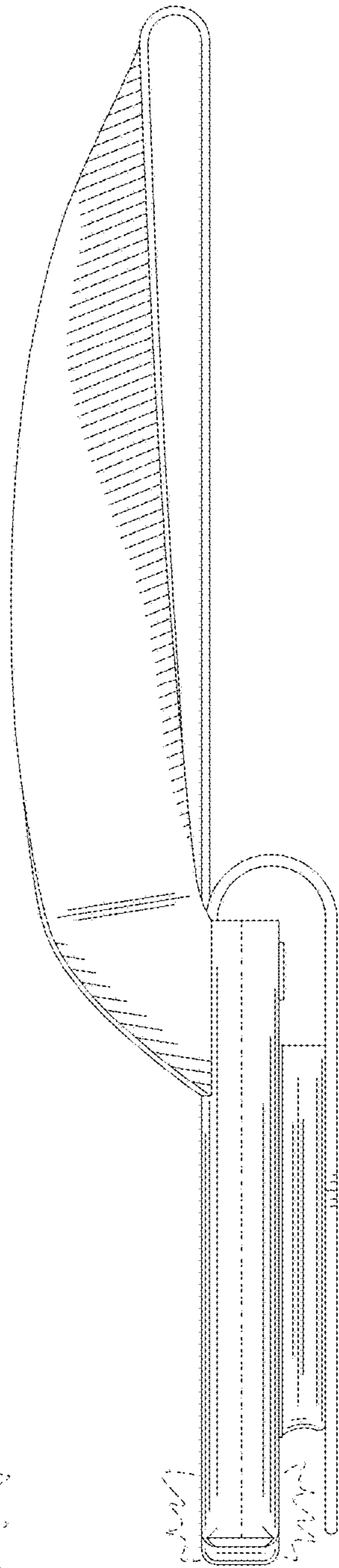


FIG. 3

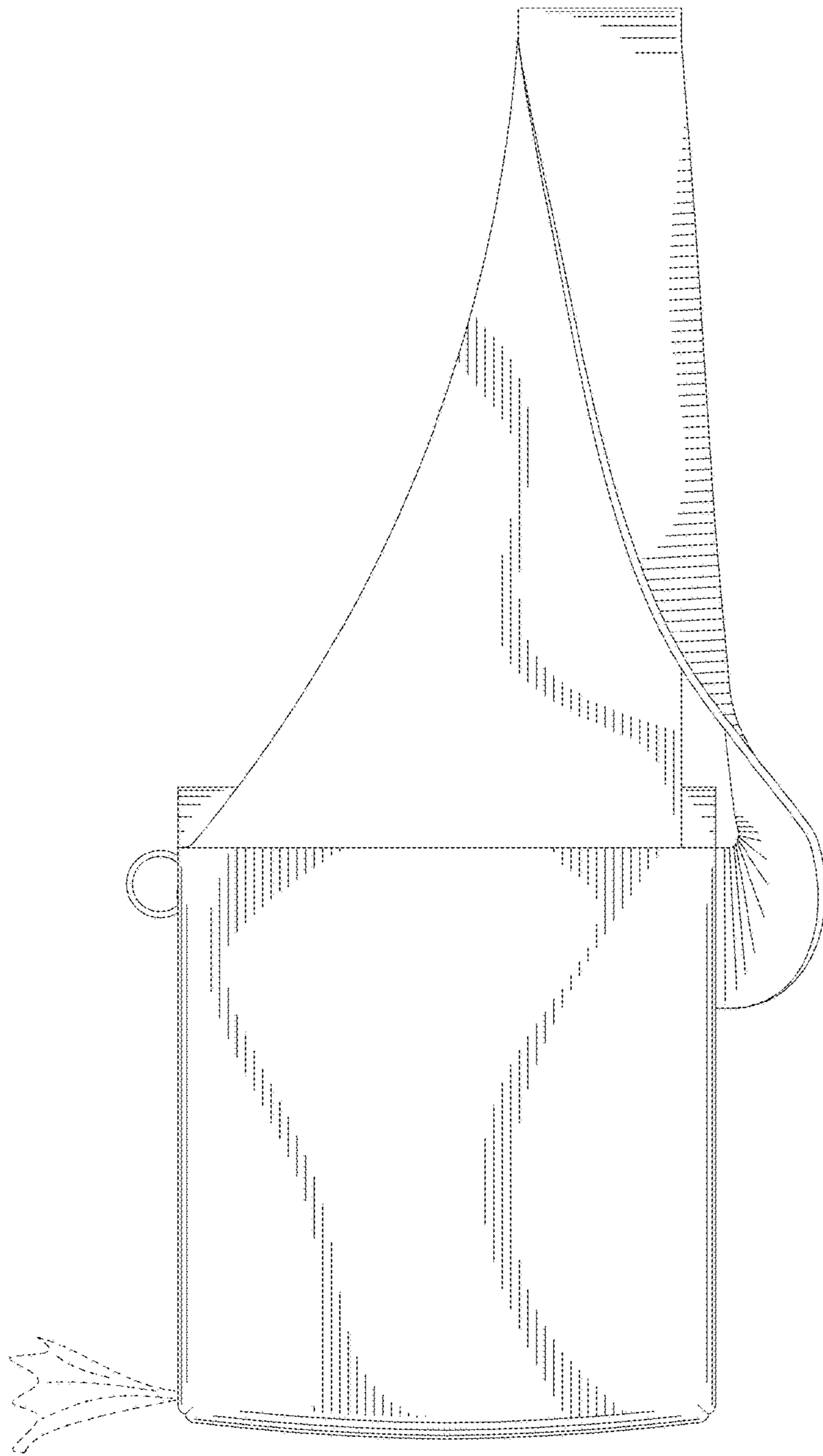


FIG. 4

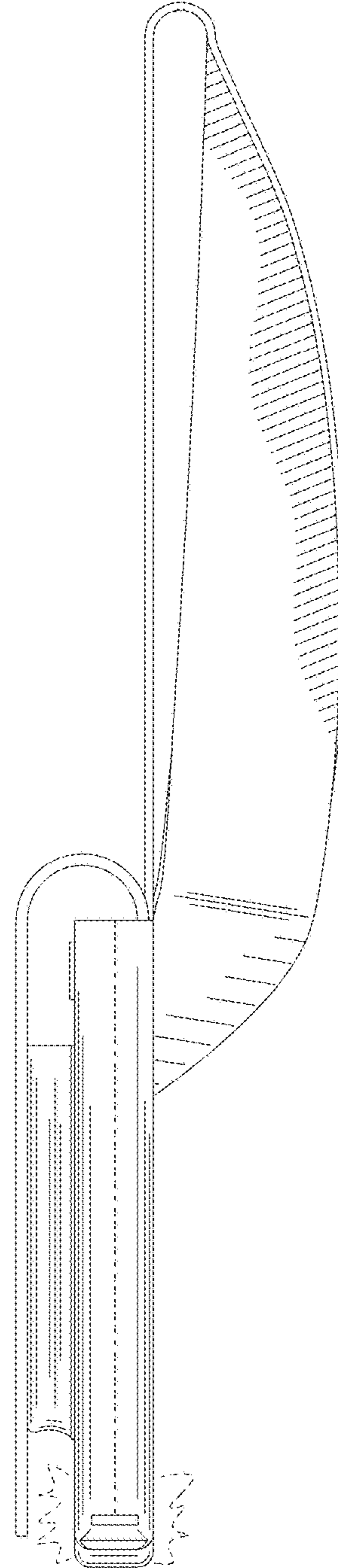


FIG. 5

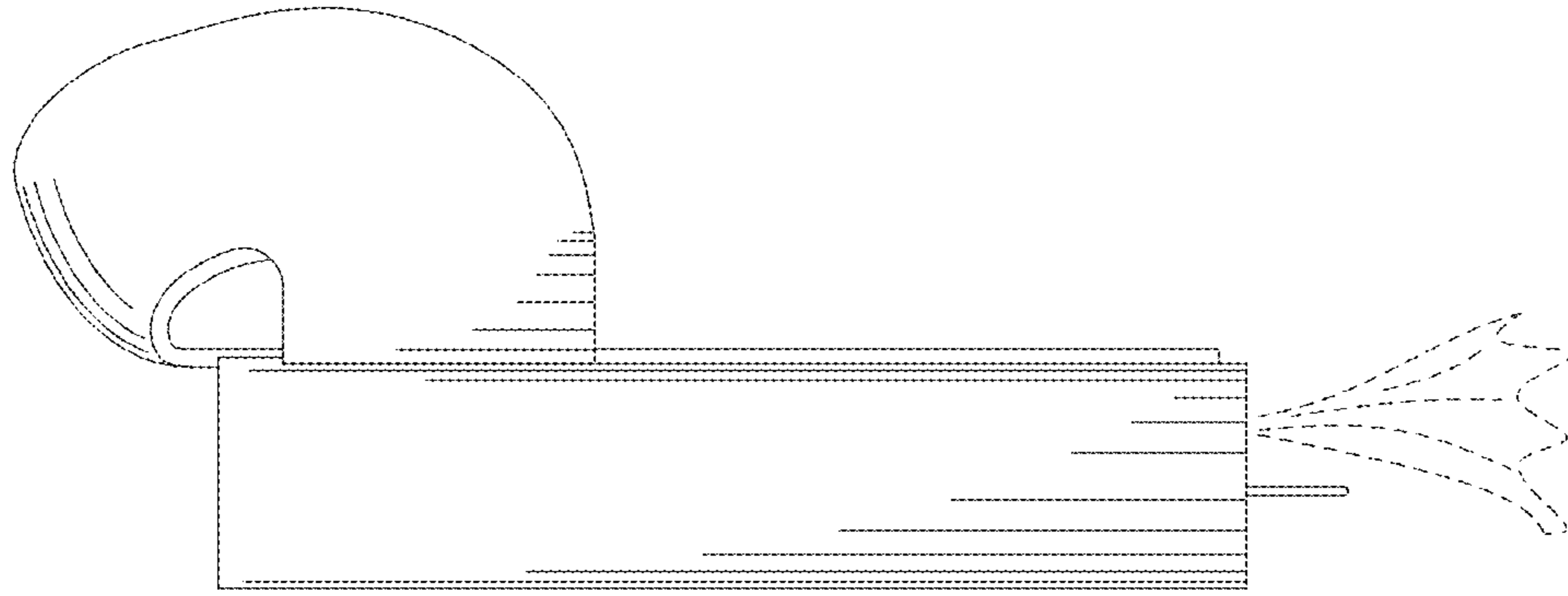


FIG. 6

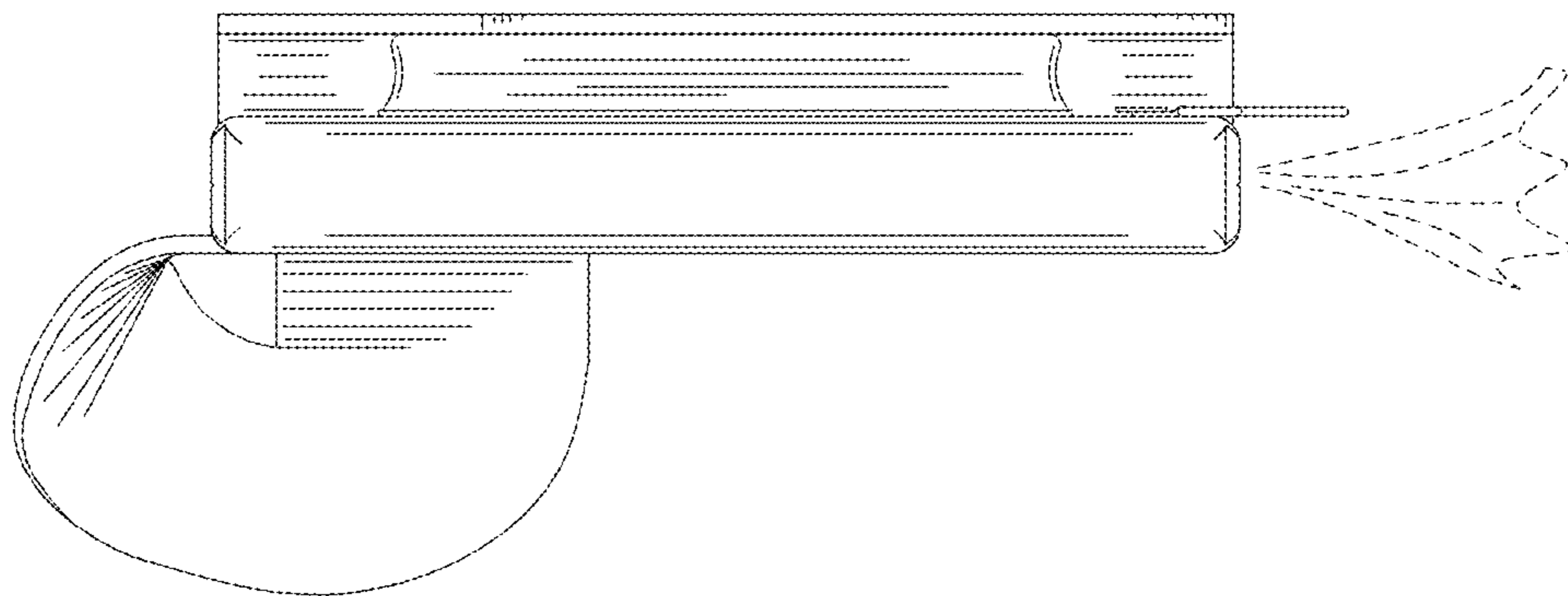


FIG. 7