



US00D822983S

(12) **United States Design Patent**
Melendez et al.

(10) **Patent No.:** **US D822,983 S**
(45) **Date of Patent:** **** Jul. 17, 2018**

- (54) **PILL CUP** 3,765,594 A * 10/1973 Cramphorn B65D 5/0209
229/106
- (71) Applicants: **John Melendez**, Norwalk, CA (US); 3,792,810 A * 2/1974 Tingley B65D 5/106
Constance Melendez, Norwalk, CA 229/128
(US) 4,387,804 A * 6/1983 Austin A61J 1/035
206/217
- (72) Inventors: **John Melendez**, Norwalk, CA (US); 4,518,208 A * 5/1985 Marder A61G 12/001
Constance Melendez, Norwalk, CA 211/74
(US) 5,911,358 A * 6/1999 Kenner B65D 5/0209
229/116.1
- (**) Term: **15 Years** 5,924,626 A * 7/1999 Whitnell B65D 5/6608
229/126
- (21) Appl. No.: **29/579,628** D456,211 S * 4/2002 Price D7/509
D495,209 S * 8/2004 Tranfaglia D7/509
- (22) Filed: **Sep. 30, 2016** 7,028,447 B2 * 4/2006 Sung B41J 3/407
53/131.5
7,228,988 B2 * 6/2007 Inamura G07F 11/44
221/241

Related U.S. Application Data

- (63) Continuation of application No. 14/295,288, filed on Jun. 3, 2014.
- (51) **LOC (11) Cl.** **03-01**
- (52) **U.S. Cl.**
USPC **D3/203.2**
- (58) **Field of Classification Search**
USPC D3/201, 202, 203.2; D7/509, 512;
D9/716, 529, 433, 420
CPC B65D 85/42; B65D 3/20
See application file for complete search history.

References Cited

- (56) **U.S. PATENT DOCUMENTS**
- 359,435 A * 3/1887 Elliot et al. B65D 3/20
229/128
- 1,863,001 A * 6/1932 Barok A61J 1/03
206/445
- 2,366,226 A * 1/1945 Williamson B65D 5/703
229/131.1
- 2,964,227 A * 12/1960 Goldsholl B65D 5/0209
229/128
- D208,273 S * 8/1967 Bundy et al. D3/203.2
- 3,722,470 A * 3/1973 Farrell B05B 15/045
118/505

(Continued)

Primary Examiner — John Windmuller
Assistant Examiner — Steven J Czyz

(74) *Attorney, Agent, or Firm* — Law Office of
Christopher Peil; Christopher Peil

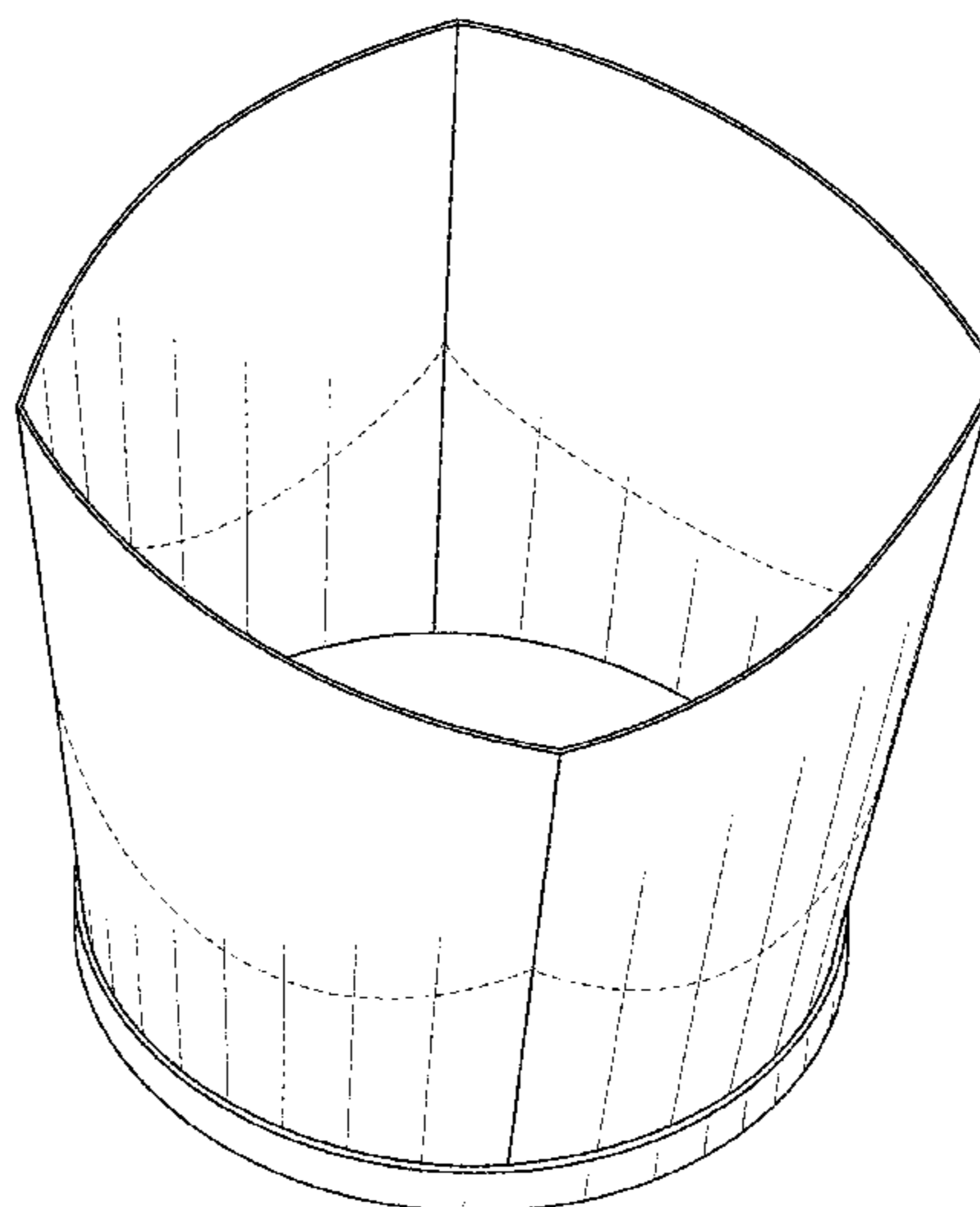
(57) **CLAIM**

The ornamental design for a pill cup, as shown and described.

DESCRIPTION

FIG. 1 is a front and top perspective view of a pill cup showing our new design;
FIG. 2 is a front side view thereof;
FIG. 3 is a rear side view thereof;
FIG. 4 is left side view thereof;
FIG. 5 is a right side view thereof;
FIG. 6 is a top view thereof; and,
FIG. 7 is a bottom view thereof.
The broken lines depict portions of the article that form no part of the claimed design.

1 Claim, 5 Drawing Sheets



(56)

References Cited

U.S. PATENT DOCUMENTS

7,353,939 B2 * 4/2008 Coe A61J 1/03
 206/232
 D596,022 S * 7/2009 van den Berg D9/416
 7,661,525 B1 * 2/2010 Sandy A61J 7/0472
 206/217
 7,661,530 B1 * 2/2010 Hewitt A45C 11/24
 206/528
 D657,950 S * 4/2012 Herman D3/202
 8,146,747 B2 * 4/2012 Luciano, Jr. G06F 19/3462
 206/459.5
 8,459,458 B2 * 6/2013 Wagner A61J 1/03
 206/532
 8,556,099 B2 * 10/2013 Perlman A45F 3/20
 206/217
 D741,593 S * 10/2015 Brown D3/202
 D754,479 S * 4/2016 Tae D7/509
 2005/0173291 A1 * 8/2005 Specker B65D 5/2009
 206/536
 2007/0068949 A1 * 3/2007 Crossley A47G 19/2205
 220/503
 2010/0102110 A1 * 4/2010 Learn B65D 5/0209
 229/106
 2010/0314434 A1 * 12/2010 Herman B65D 1/265
 229/107
 2011/0186470 A1 * 8/2011 Ganti B65D 83/04
 206/538
 2012/0286027 A1 * 11/2012 Lu B65D 3/06
 229/404
 2012/0292382 A1 * 11/2012 Cai B65D 5/6685
 229/404

* cited by examiner

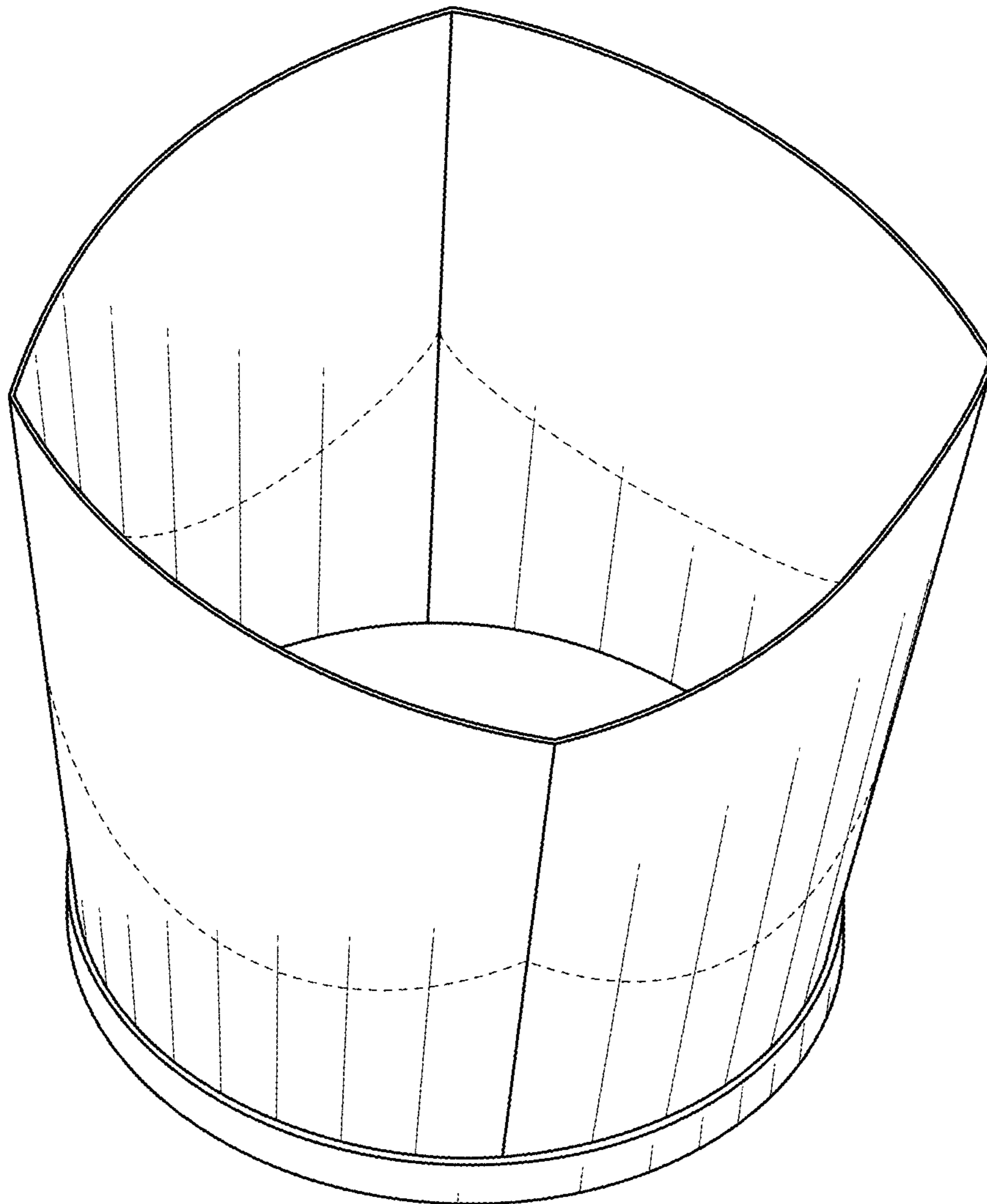


FIG. 1

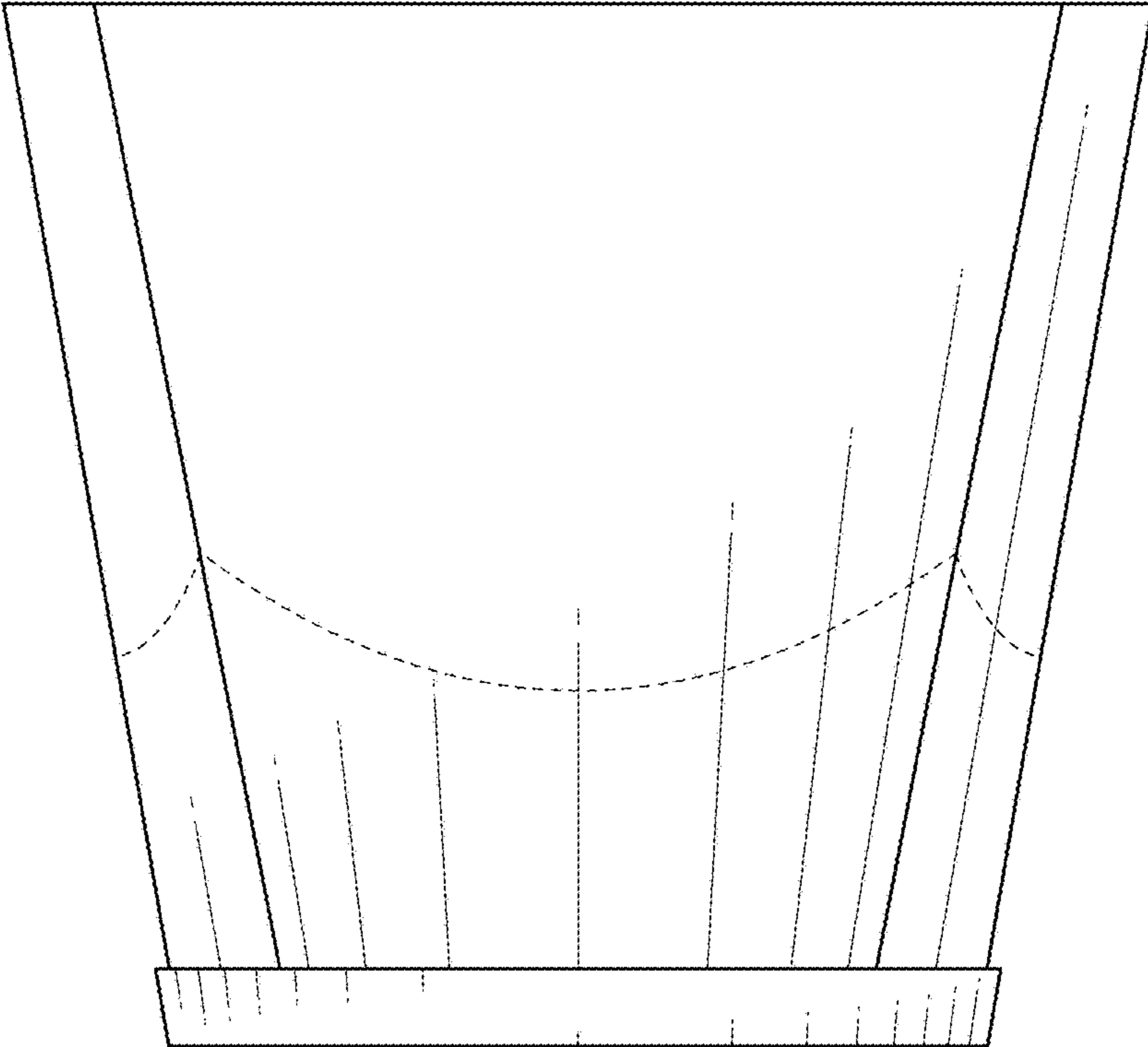


FIG. 2

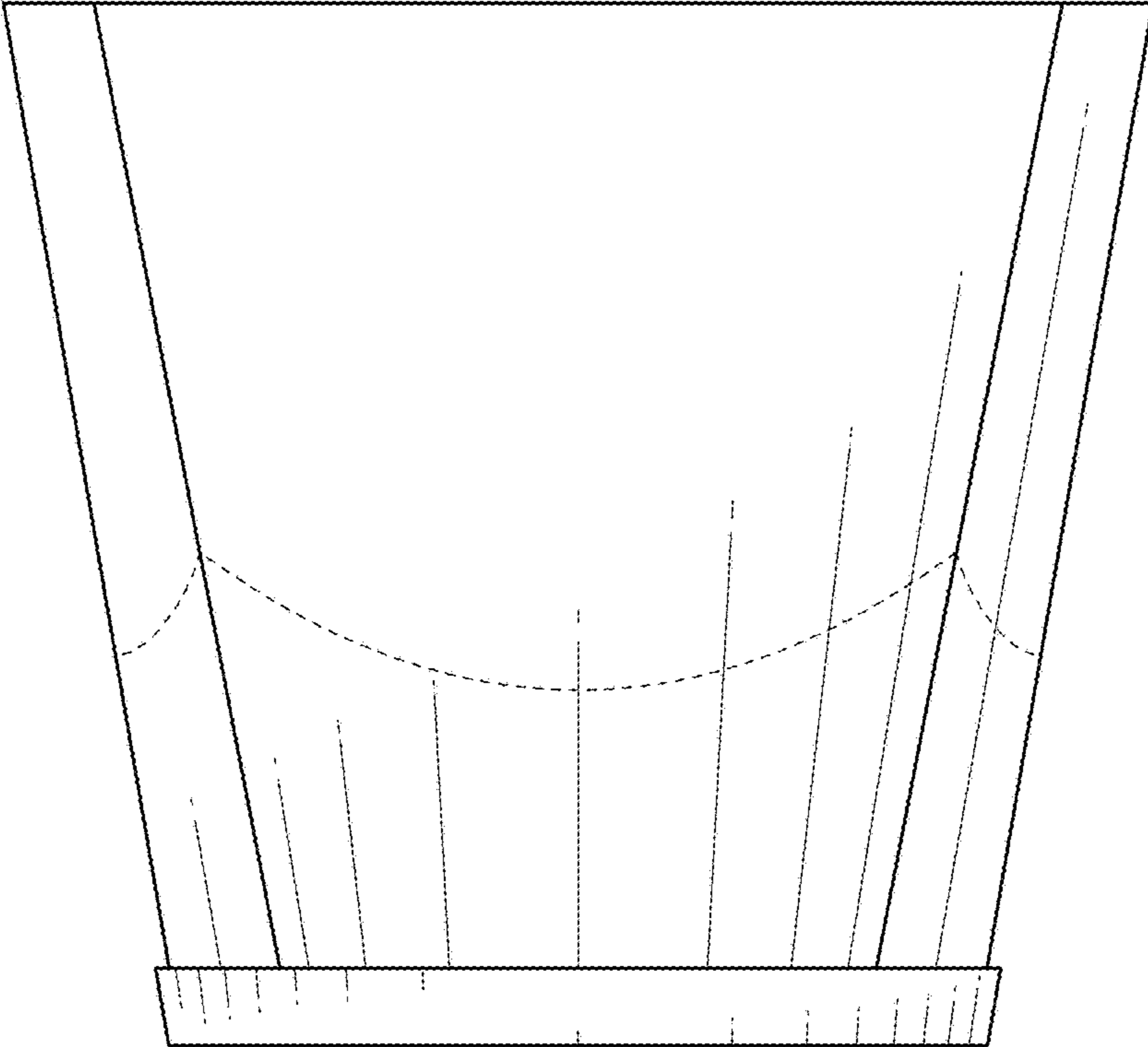


FIG. 3

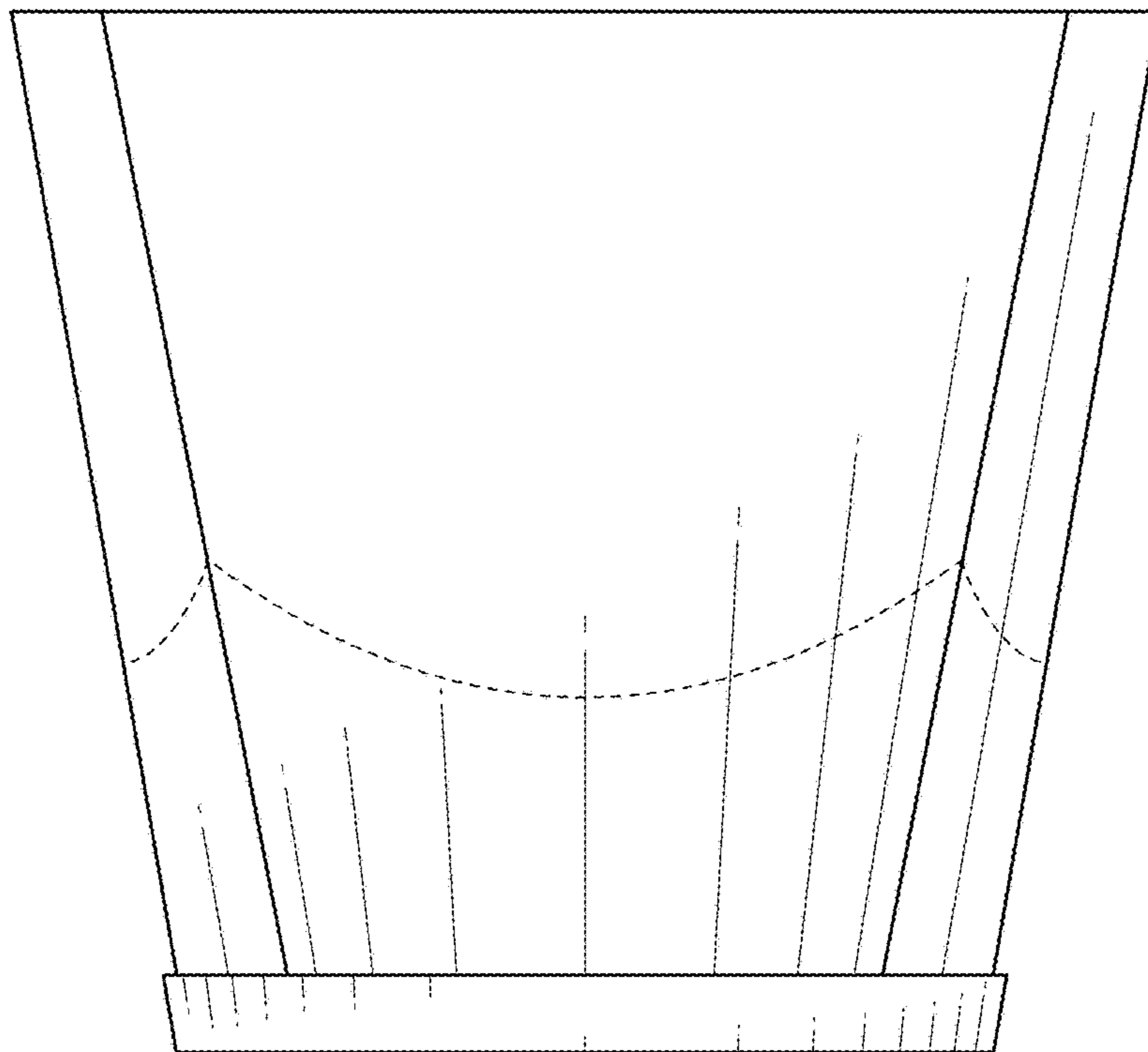


FIG. 4

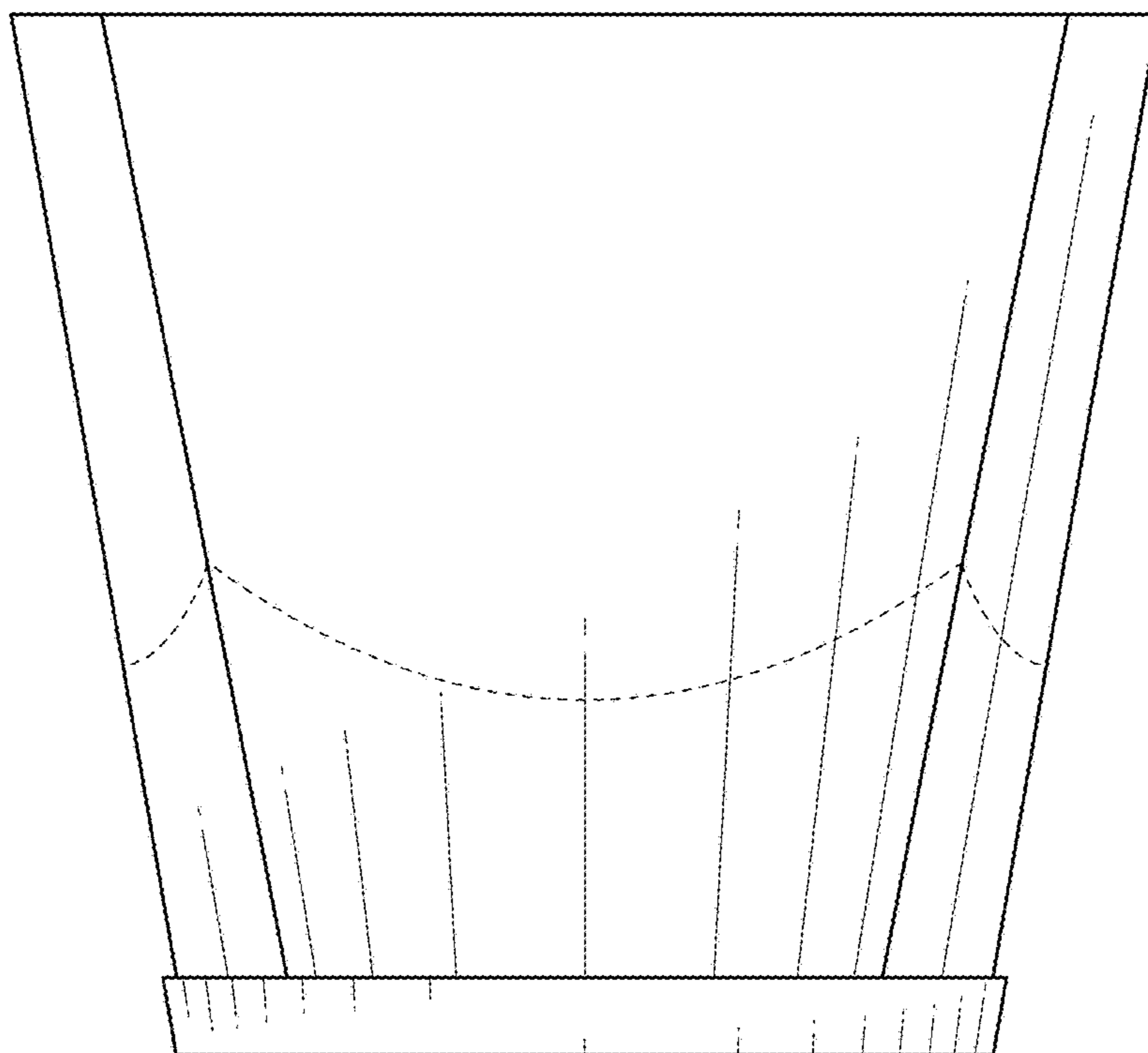


FIG. 5

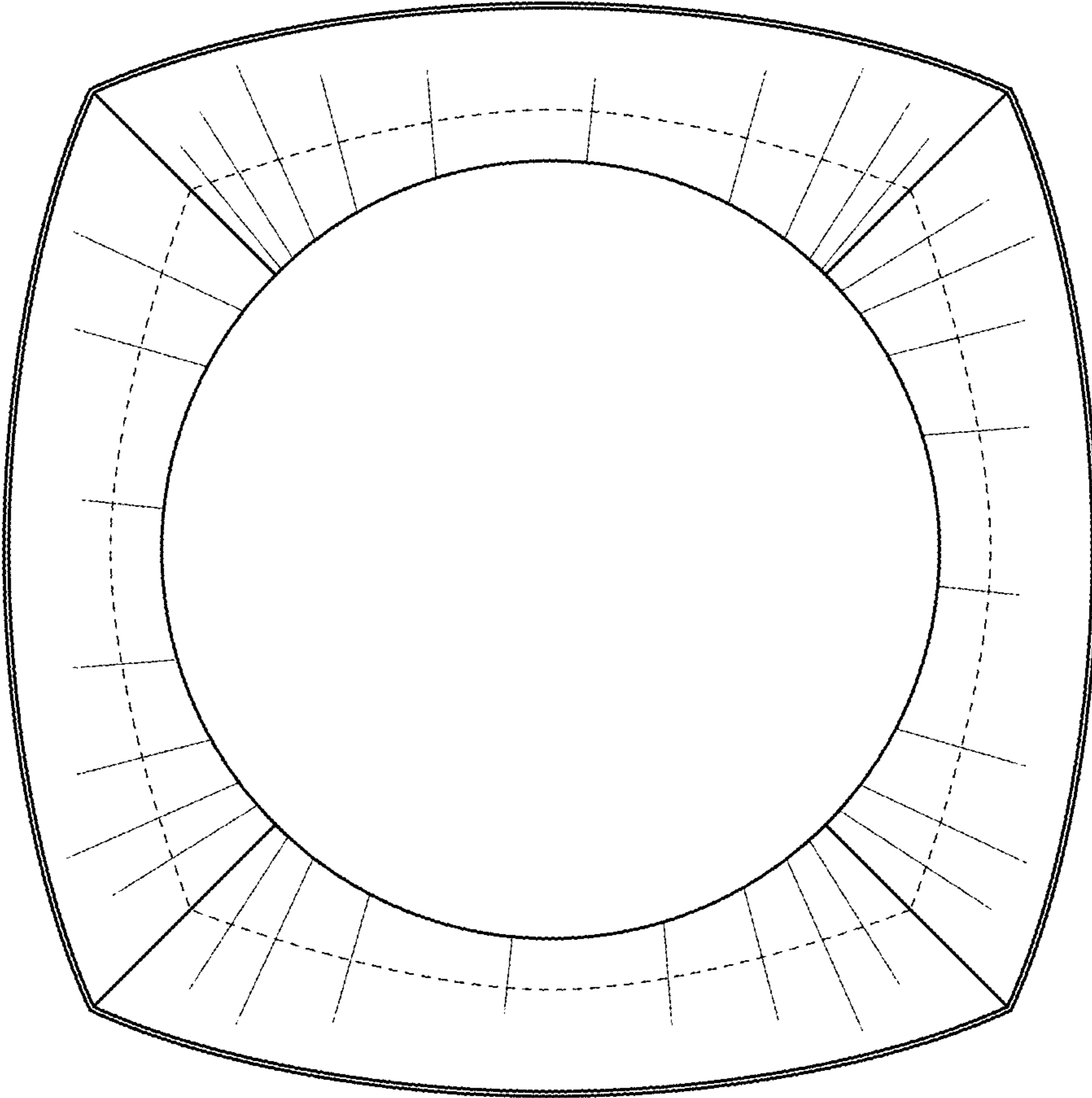


FIG. 6

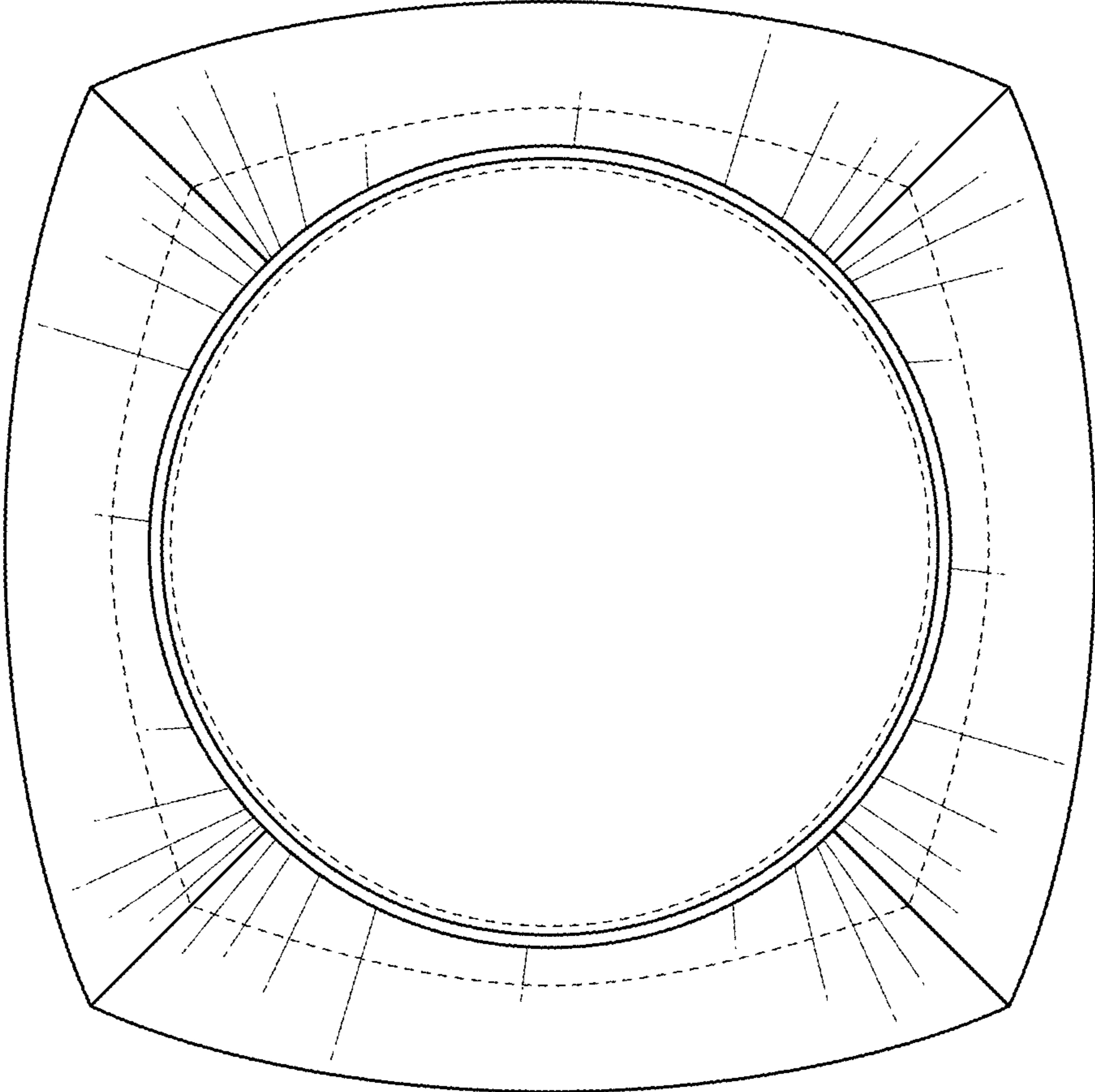


FIG. 7