



US00D822982S

(12) **United States Design Patent**
Chinen

(10) **Patent No.:** **US D822,982 S**

(45) **Date of Patent:** **** Jul. 17, 2018**

(54) **CLEANING WIPES CARRIER**

(71) Applicant: **Christine M. Chinen**, San Diego, CA
(US)

(72) Inventor: **Christine M. Chinen**, San Diego, CA
(US)

(73) Assignee: **Christine Chinen**, San Diego, CA (US)

(**) Term: **15 Years**

(21) Appl. No.: **29/555,425**

(22) Filed: **Feb. 22, 2016**

(51) **LOC (11) Cl.** **03-01**

(52) **U.S. Cl.**
USPC **D3/201; D3/291**

(58) **Field of Classification Search**
USPC D3/201, 205, 273, 274, 276, 291, 905
CPC A45C 5/04; A45C 11/00; A45C 11/16
See application file for complete search history.

(56) **References Cited**

U.S. PATENT DOCUMENTS

D202,403 S * 9/1965 Craig D3/269
D370,562 S * 6/1996 Arini D21/479

D473,785 S * 4/2003 Ahmed D21/479
D520,376 S * 5/2006 Nolle D21/480
D665,570 S * 8/2012 Shrewsbury D3/201
D718,183 S * 11/2014 Wu D11/158
D719,058 S * 12/2014 Wu D11/158
D758,064 S * 6/2016 Zwetzig D3/201
D773,315 S * 12/2016 Wahl D9/734
D812,926 S * 3/2018 Van Scoyoc D6/518

* cited by examiner

Primary Examiner — Sandra S Snapp
Assistant Examiner — Holly E Thurman

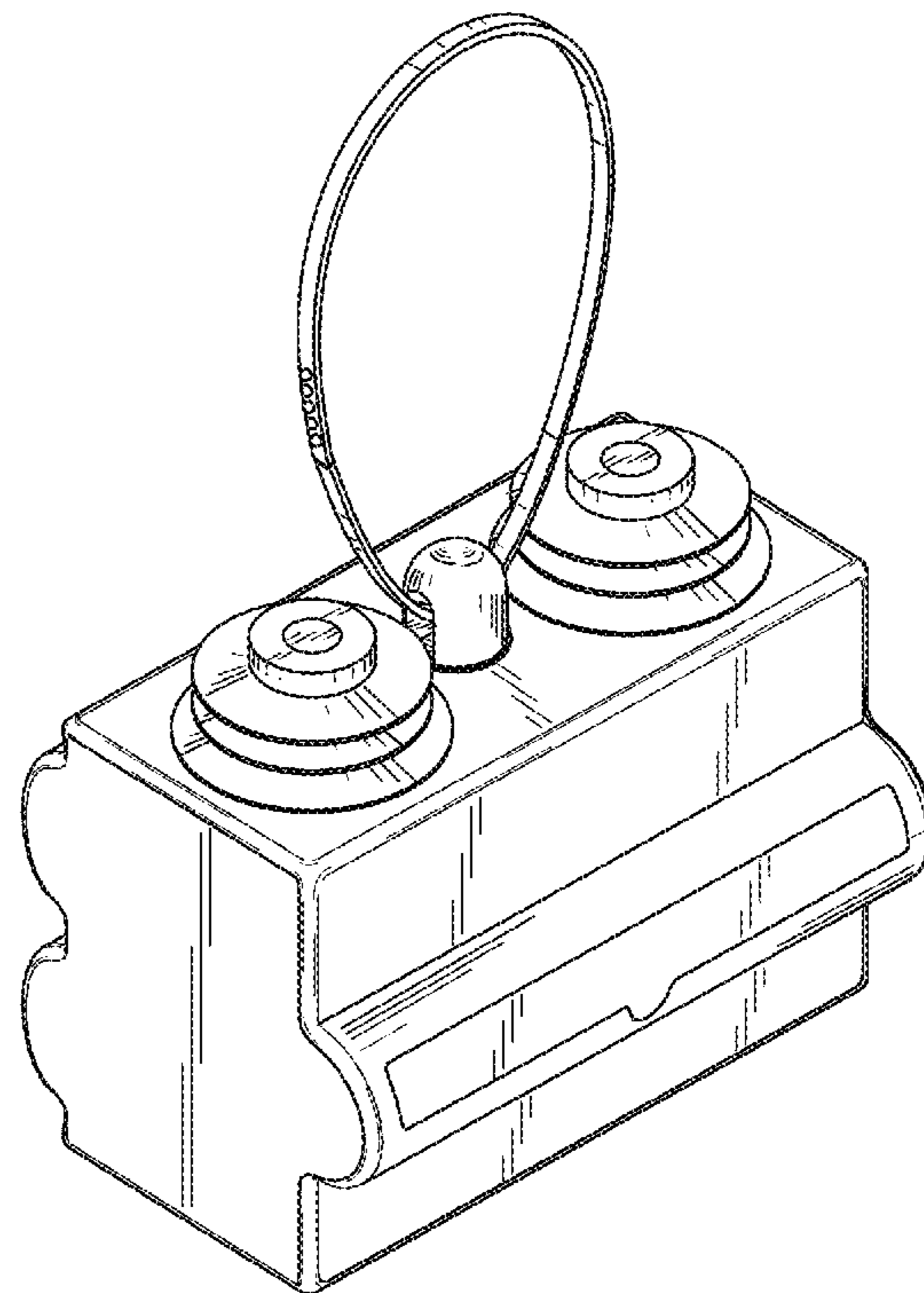
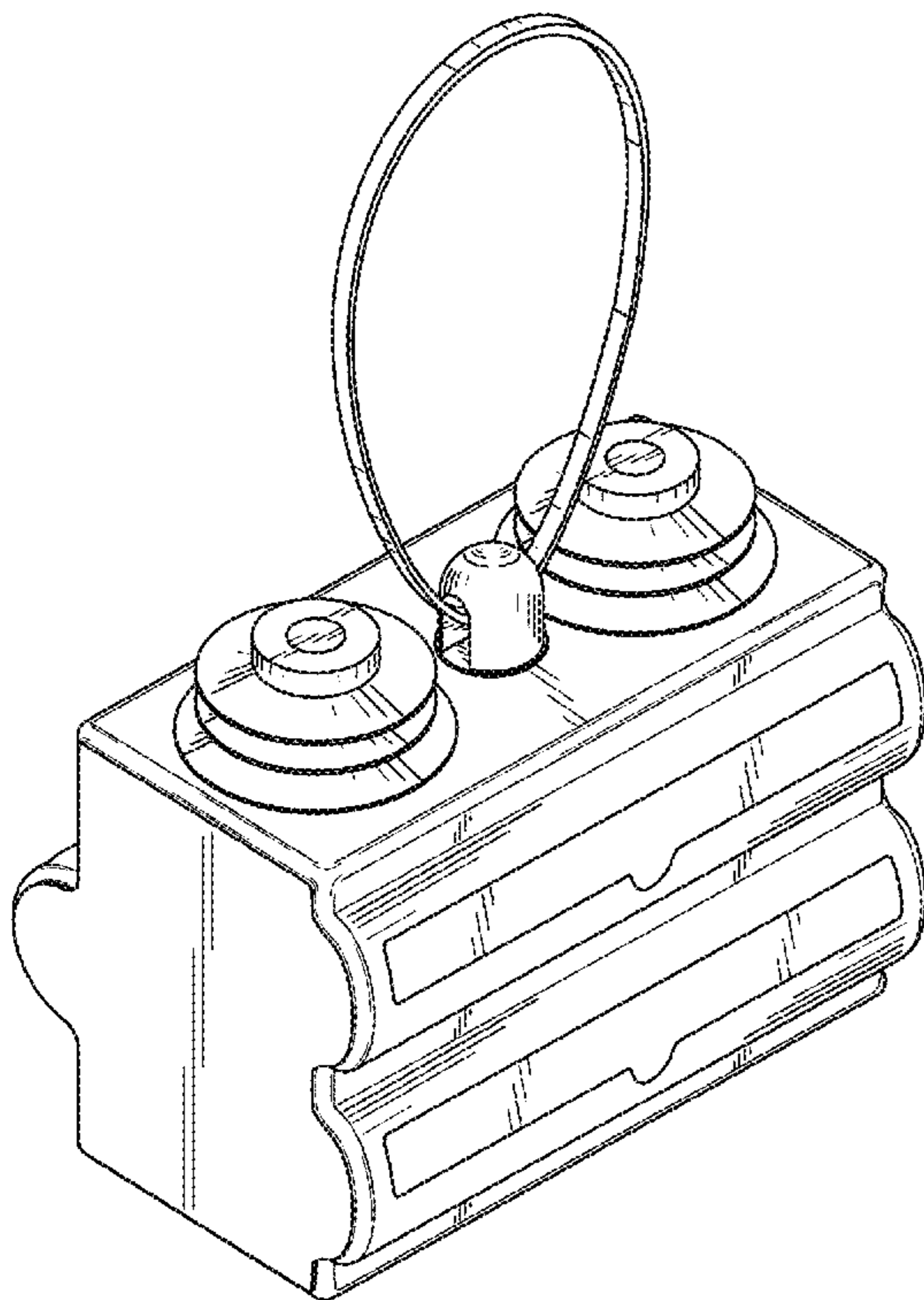
(57) **CLAIM**

The ornamental design for a cleaning wipes carrier, as shown and described.

DESCRIPTION

FIG. 1 is a front side perspective view of a cleaning wipes carrier showing my new design;
FIG. 2 is a rear side perspective view thereof;
FIG. 3 is a front side elevation view thereof;
FIG. 4 is a rear side elevation view thereof;
FIG. 5 is a right side elevation view thereof;
FIG. 6 is a left side elevation view thereof;
FIG. 7 is a top side plan view thereof; and,
FIG. 8 is a bottom side plan view thereof.

1 Claim, 8 Drawing Sheets



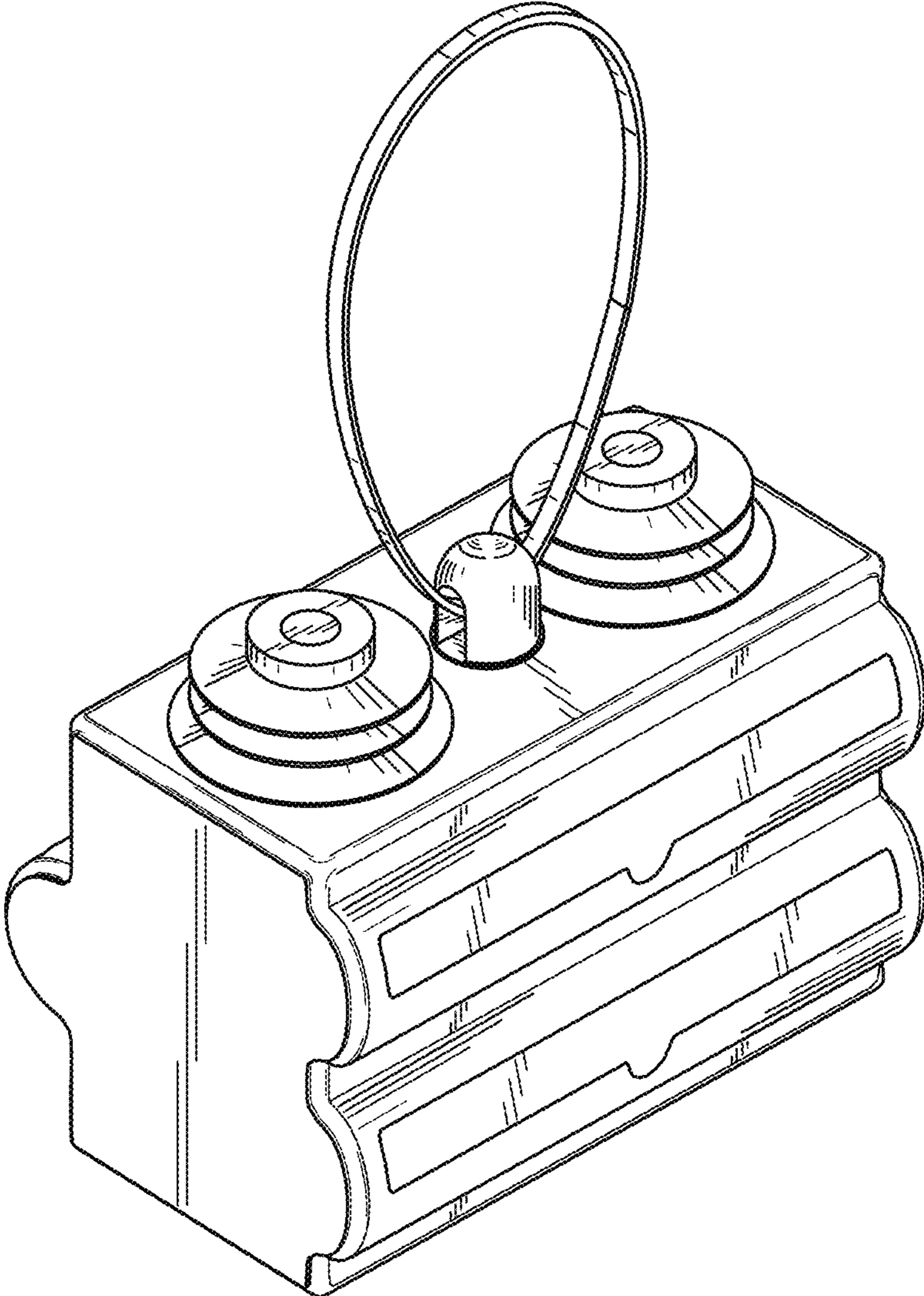


FIG. 1

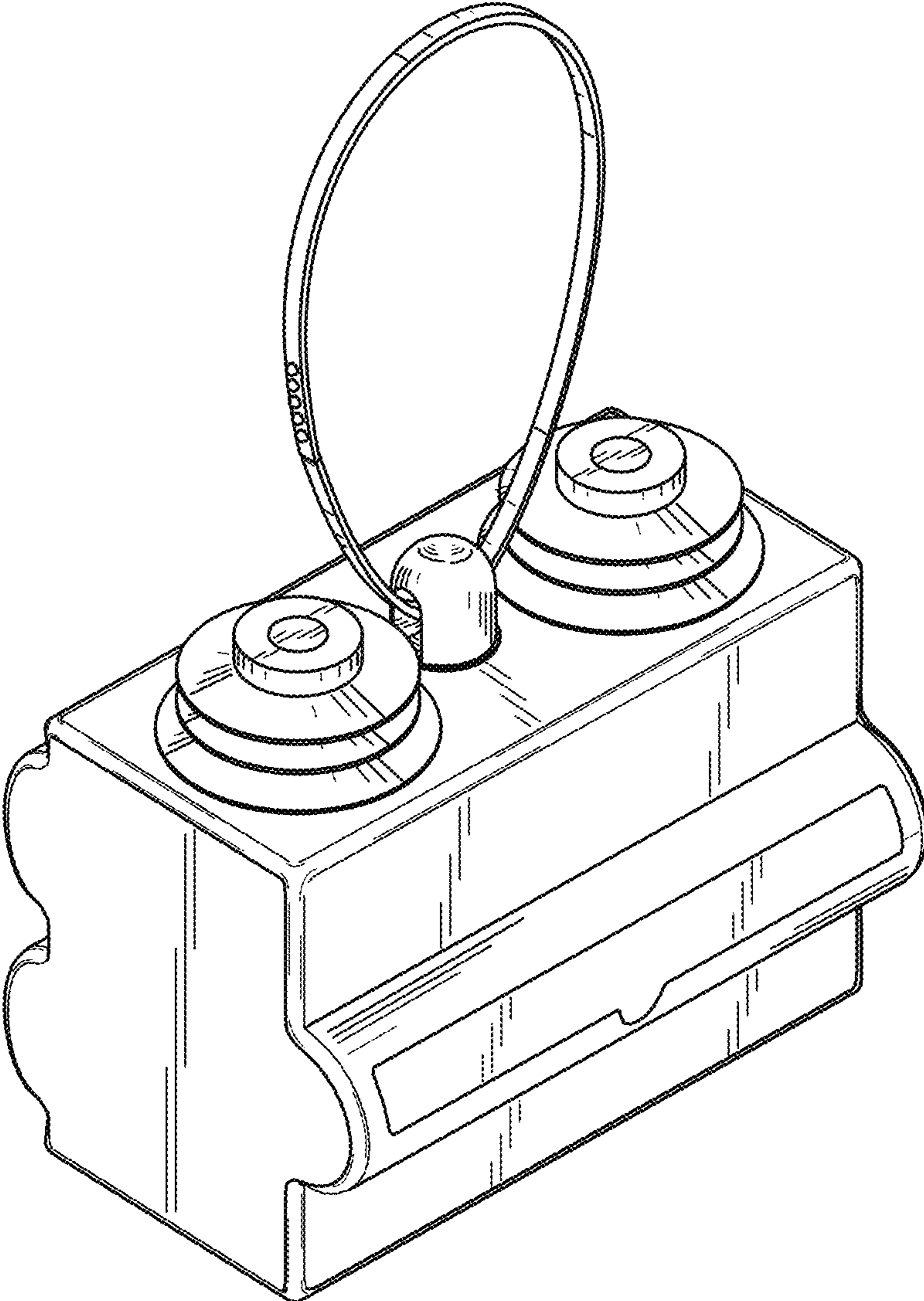


FIG. 2

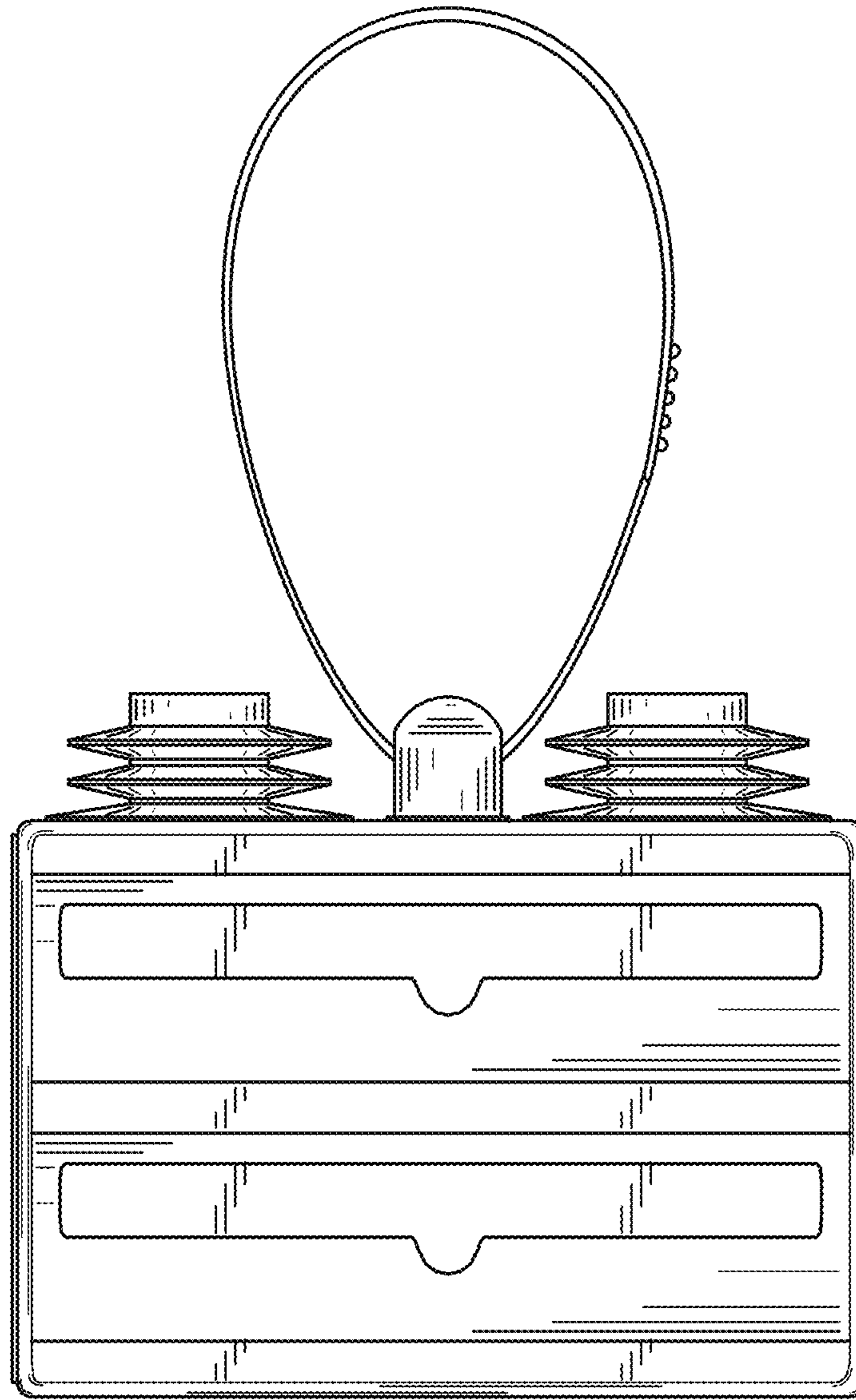


FIG. 3

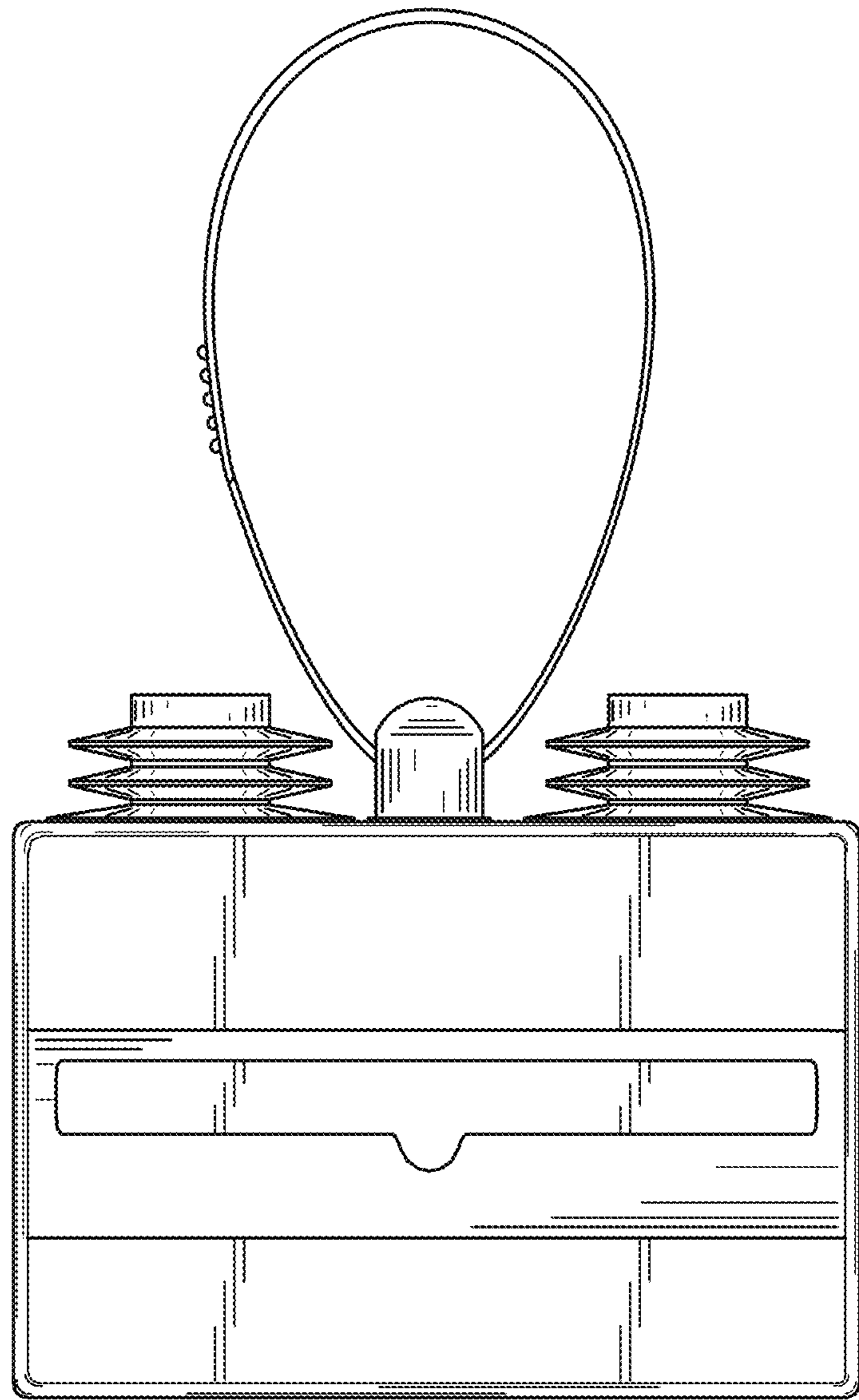


FIG. 4

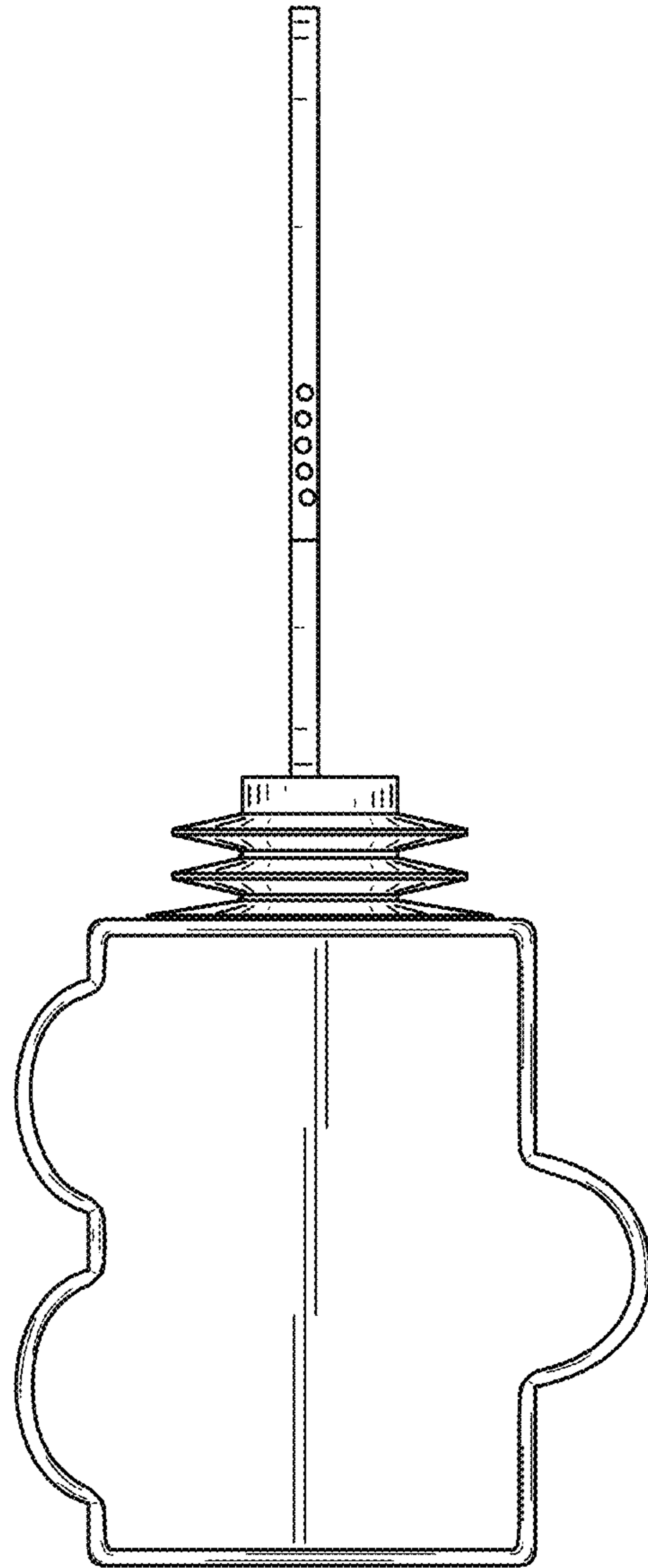


FIG. 5

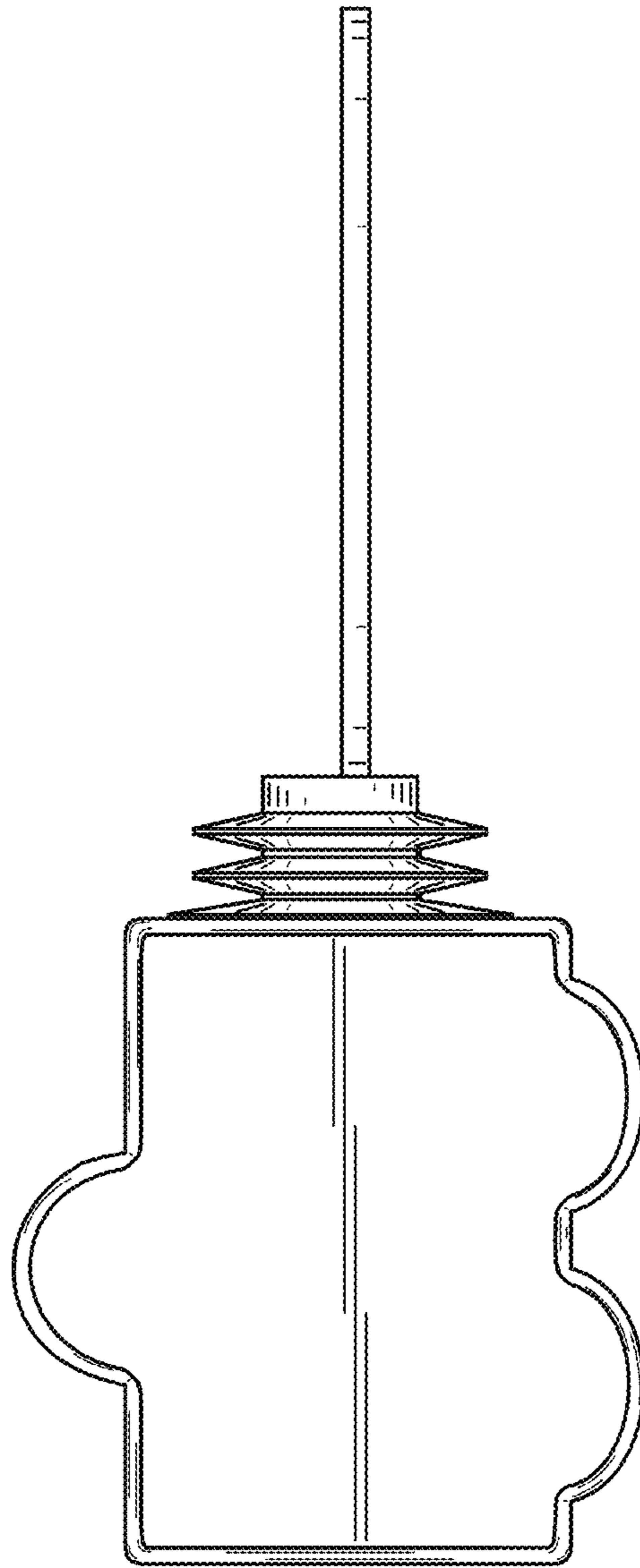


FIG. 6

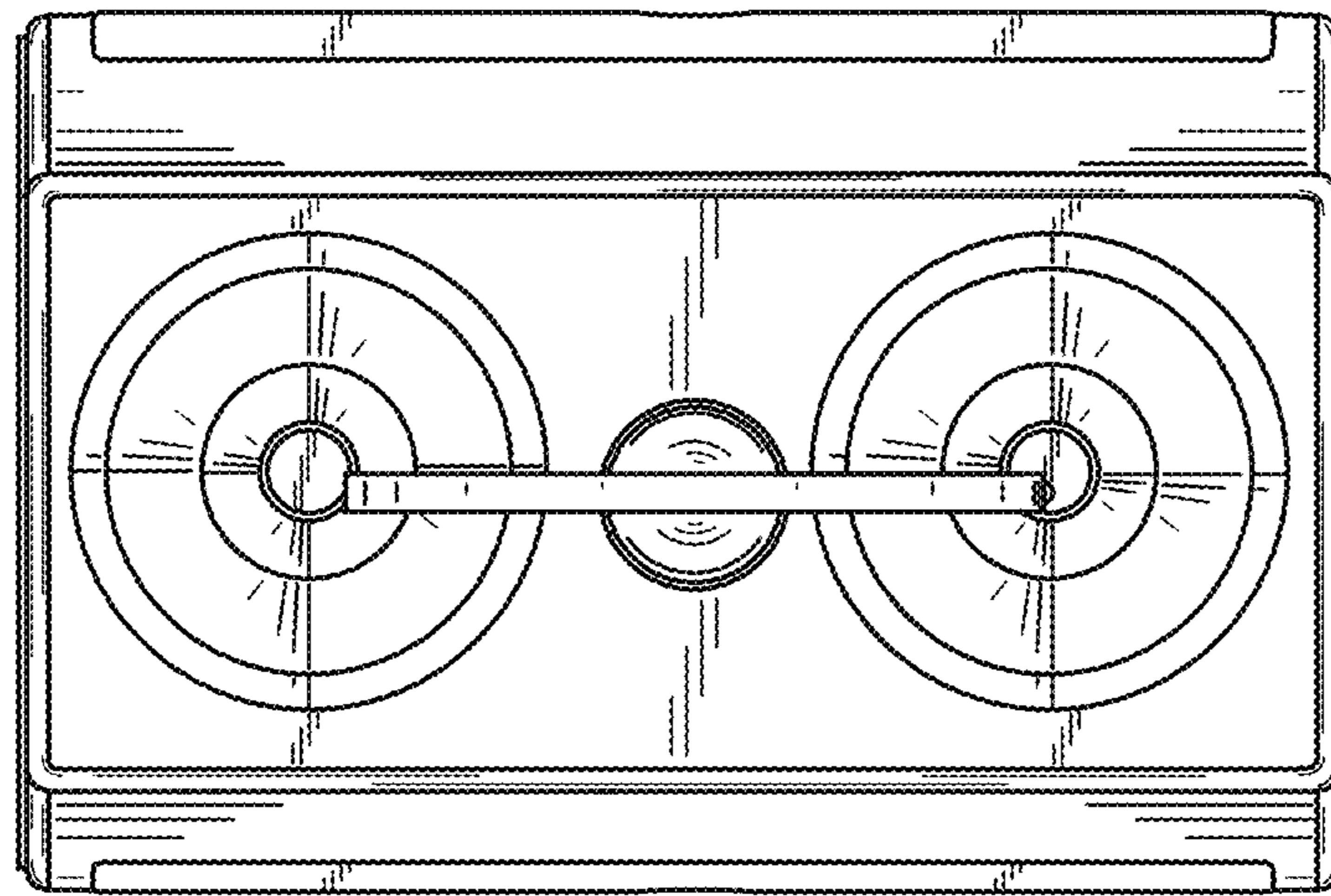


FIG. 7

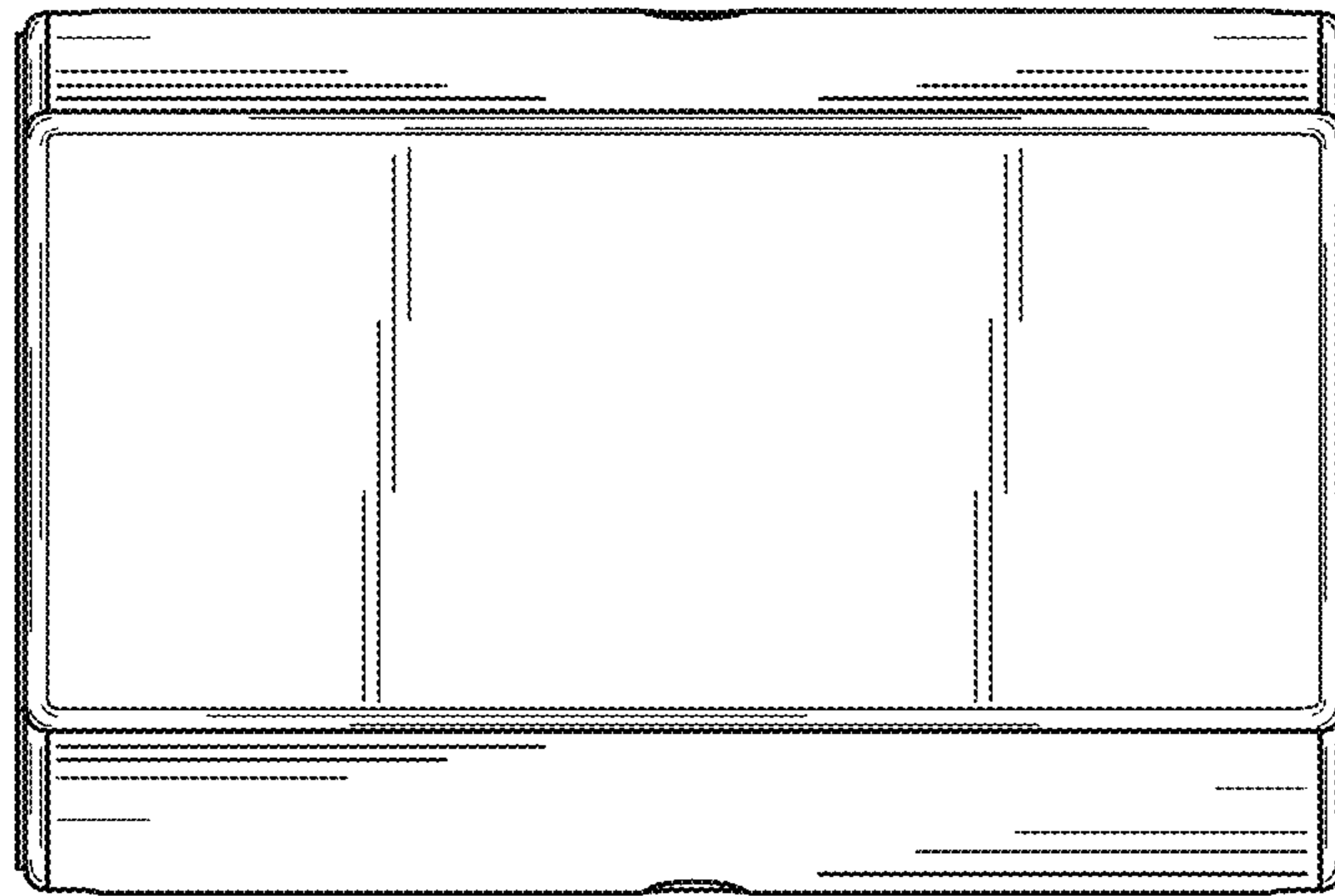


FIG. 8