



US00D822980S

(12) **United States Design Patent** (10) **Patent No.:** **US D822,980 S**
Schaeder (45) **Date of Patent:** **** Jul. 17, 2018**

(54) **UMBRELLA STAND**

(71) Applicant: **Wolfgang Schaeder**, Trabuco Canyon, CA (US)

(72) Inventor: **Wolfgang Schaeder**, Trabuco Canyon, CA (US)

(**) Term: **15 Years**

(21) Appl. No.: **29/599,688**

(22) Filed: **Apr. 5, 2017**

(51) **LOC (11) Cl.** **03-03**

(52) **U.S. Cl.**
USPC **D3/10**

(58) **Field of Classification Search**
USPC D3/5, 10, 13, 16, 17; D6/681, 681.1, D6/681.2

CPC . A45B 11/00; A45B 2023/0012; A47G 25/12; E04H 12/22; F16M 11/28

See application file for complete search history.

(56) **References Cited**

U.S. PATENT DOCUMENTS

D414,053 S *	9/1999	Ordelman	D3/10
D458,770 S *	6/2002	Walter	D6/681.1
D485,055 S *	1/2004	Taylor	D3/10
D516,297 S *	3/2006	Smith	D3/10
D573,786 S *	7/2008	Smith	D3/10
D578,749 S *	10/2008	Ng	D3/10
D697,705 S *	1/2014	Ma	D3/10
D708,672 S *	7/2014	Denby	D20/41
D728,284 S *	5/2015	Nentwich	D6/682.5

D732,817 S *	6/2015	Elstow	D3/10
D740,546 S *	10/2015	DeVaney	D3/10
D768,978 S *	10/2016	Ma	D3/10
D797,437 S *	9/2017	Liu	D3/5
2015/0359370 A1 *	12/2015	Malone	A47G 29/1216 248/219.1
2016/0088909 A1 *	3/2016	Eddy	E04H 12/2261 248/518
2017/0087580 A1 *	3/2017	Griffin	F16M 11/28
2017/0102097 A1 *	4/2017	Walston	F16M 11/28
2017/0112243 A1 *	4/2017	Letendre	A45B 25/14

* cited by examiner

Primary Examiner — John Windmuller

Assistant Examiner — Steven J Czyz

(74) *Attorney, Agent, or Firm* — Cionca IP Law P.C.;
Marin Cionca

(57) **CLAIM**

The ornamental design for an umbrella stand, as shown and described.

DESCRIPTION

FIG. 1 is a front perspective view of an umbrella stand showing the new design;

FIG. 2 is a top plan view thereof;

FIG. 3 is a bottom plan view thereof;

FIG. 4 is a left side elevation view thereof;

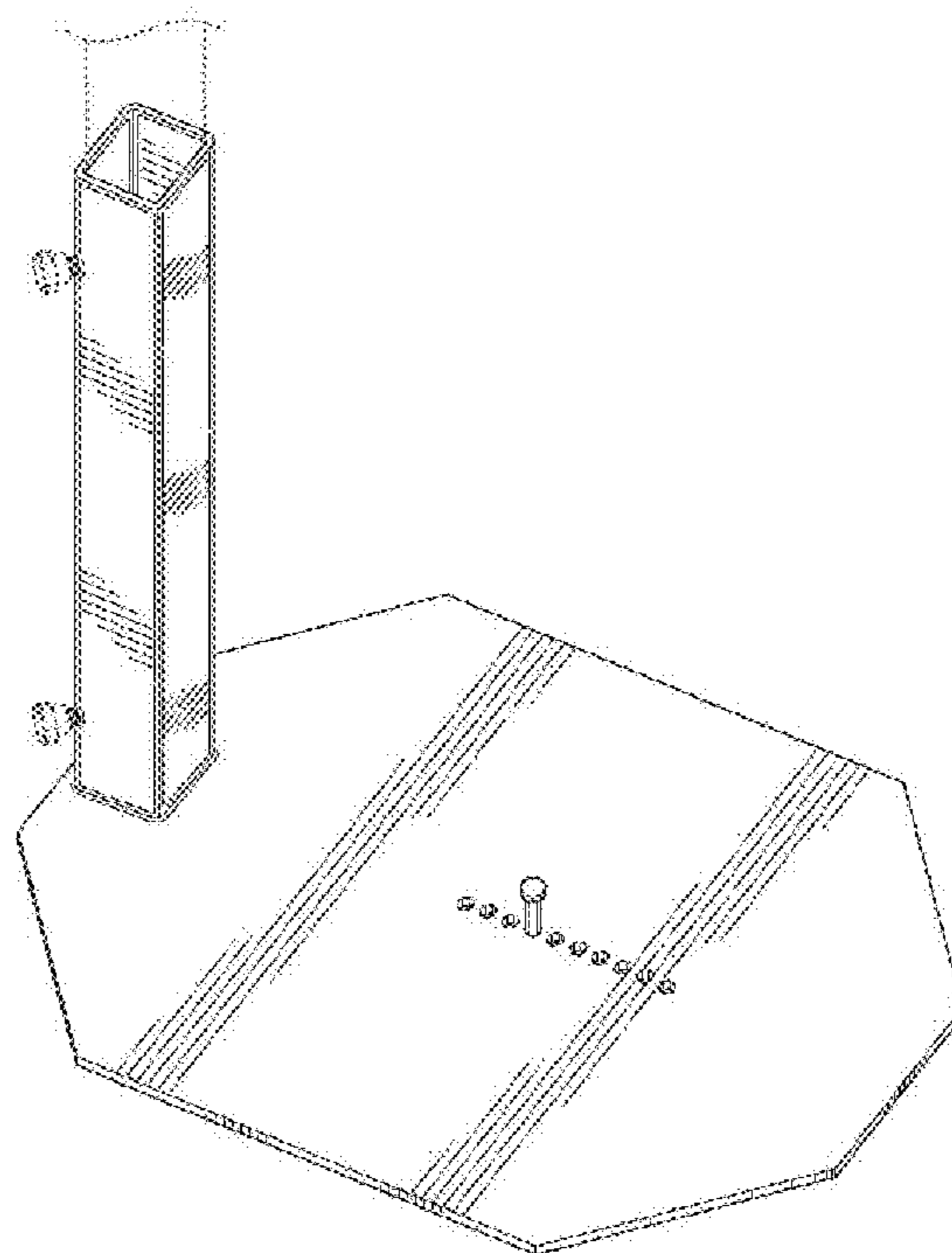
FIG. 5 is a right side elevation view thereof;

FIG. 6 is a front elevation view thereof; and,

FIG. 7 is a rear elevation view thereof.

The broken lines depict environment and portions of the article that form no part of the claimed design.

1 Claim, 7 Drawing Sheets



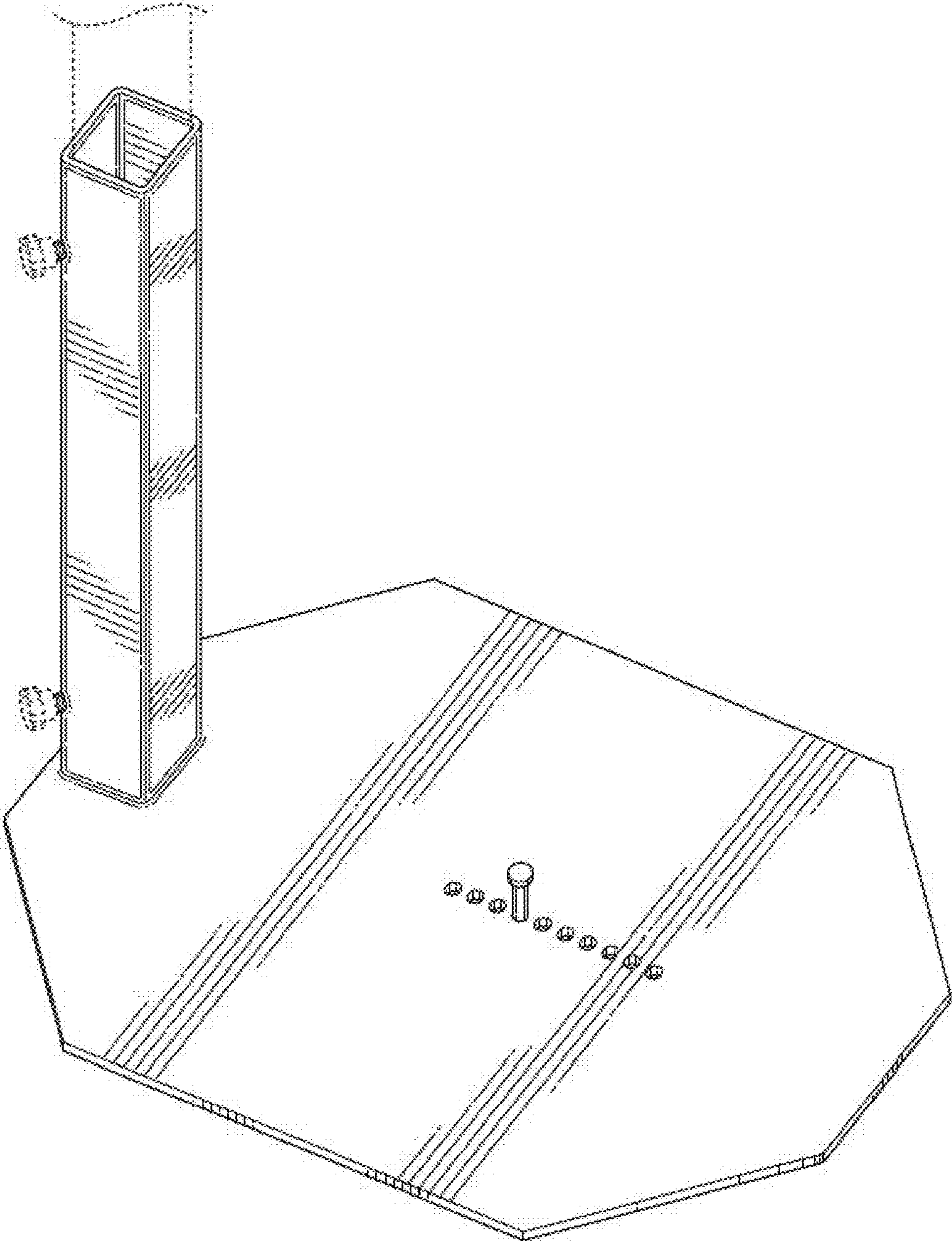


FIG. 1

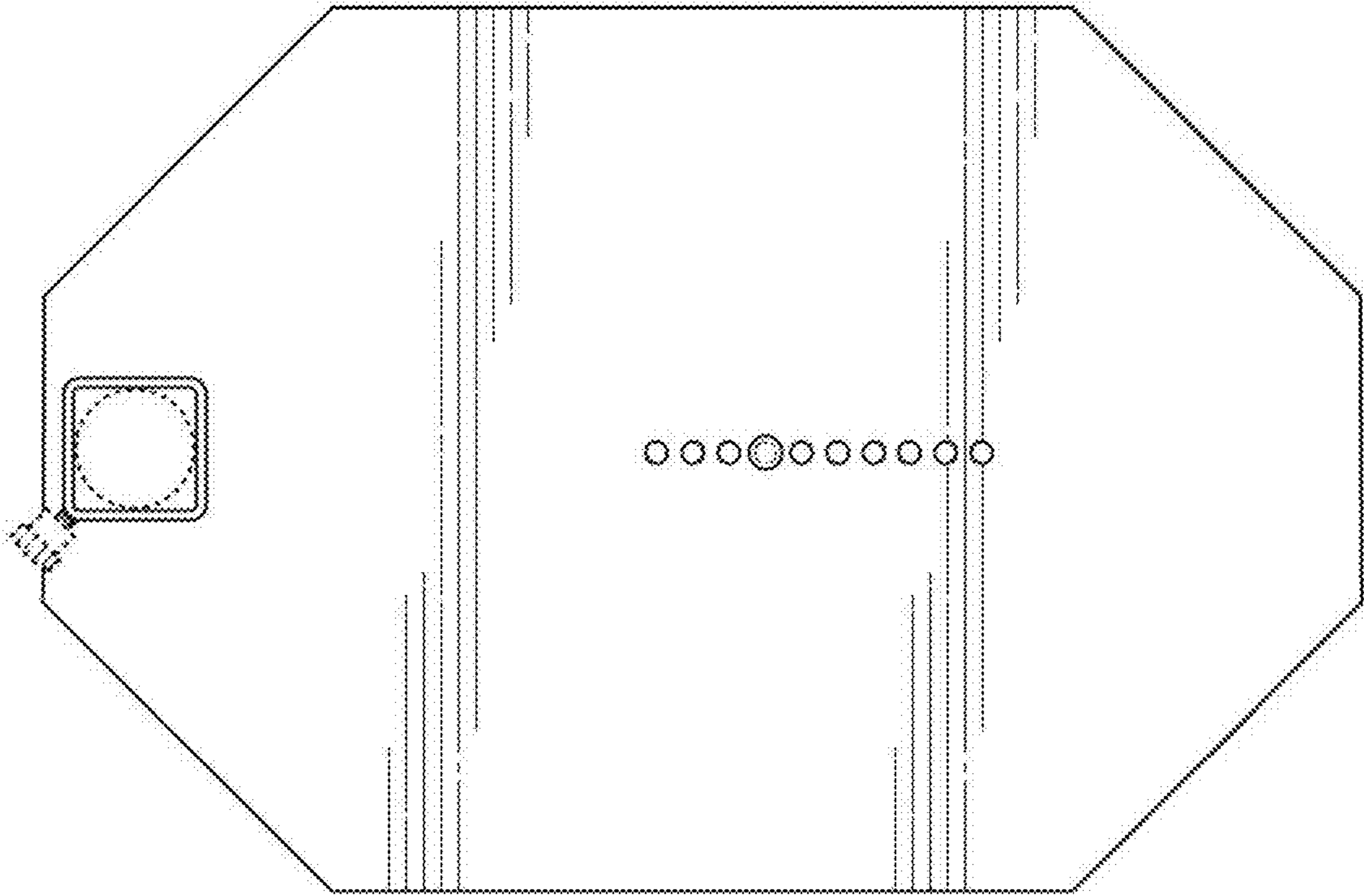


FIG. 2

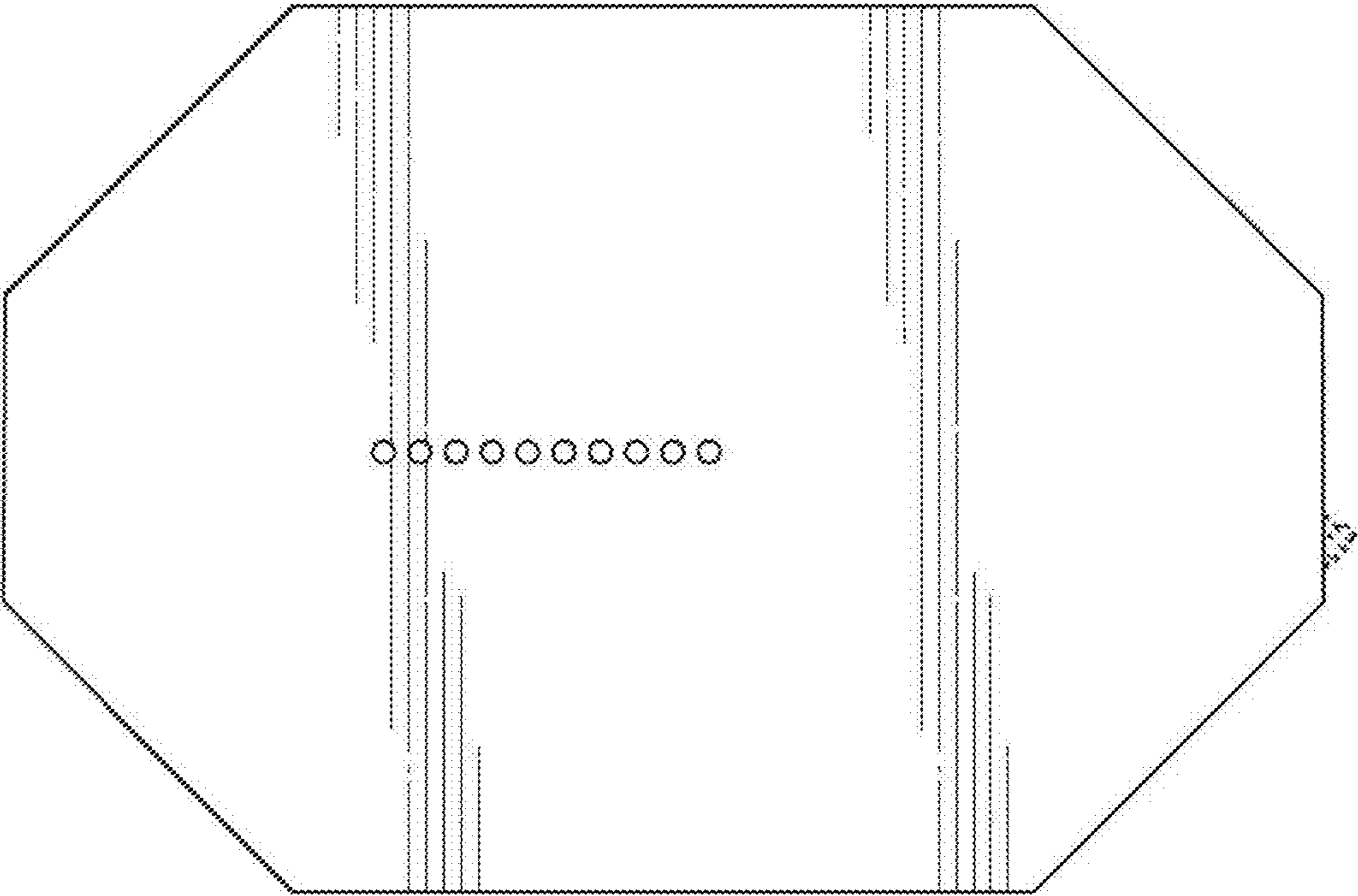


FIG. 3

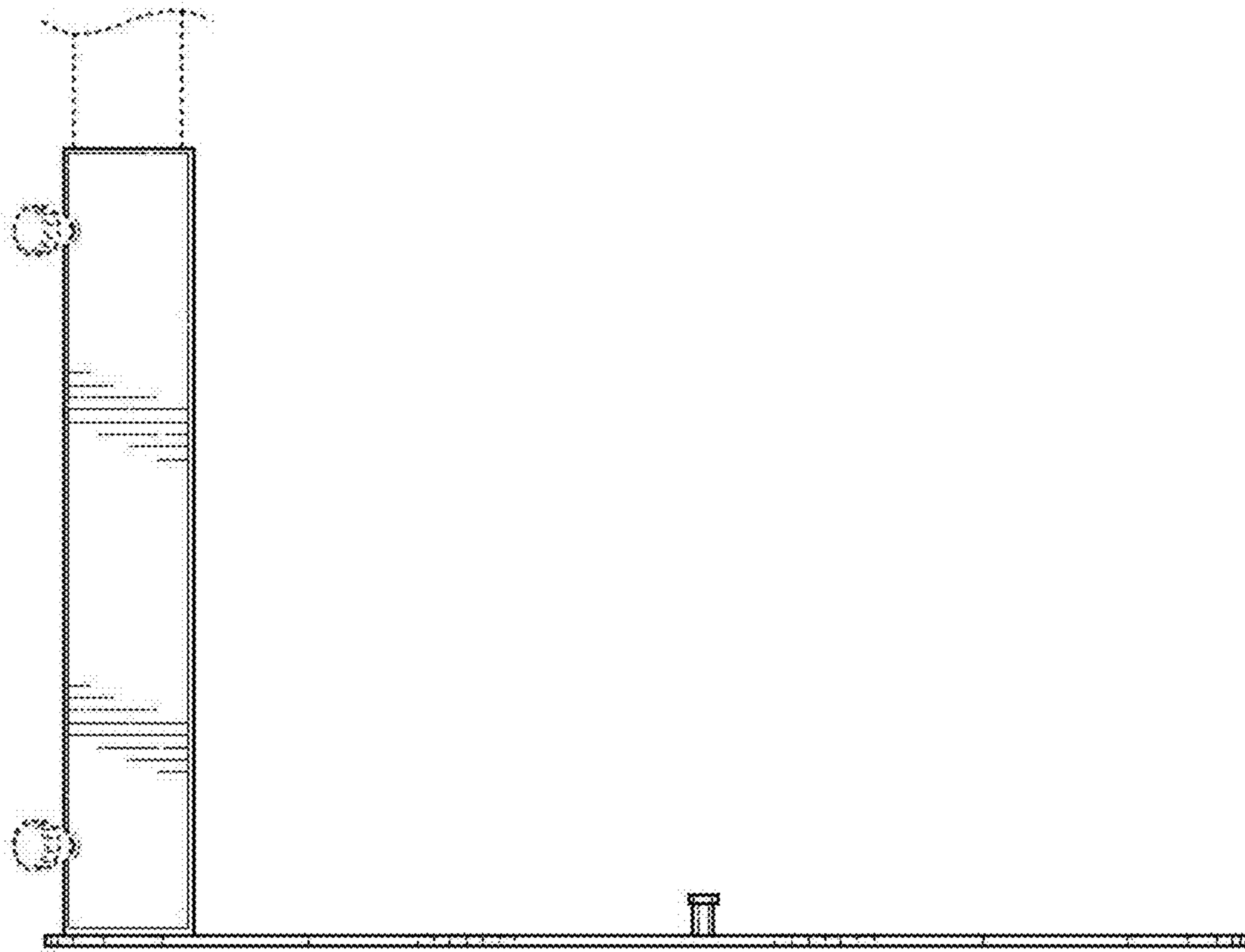


FIG. 4

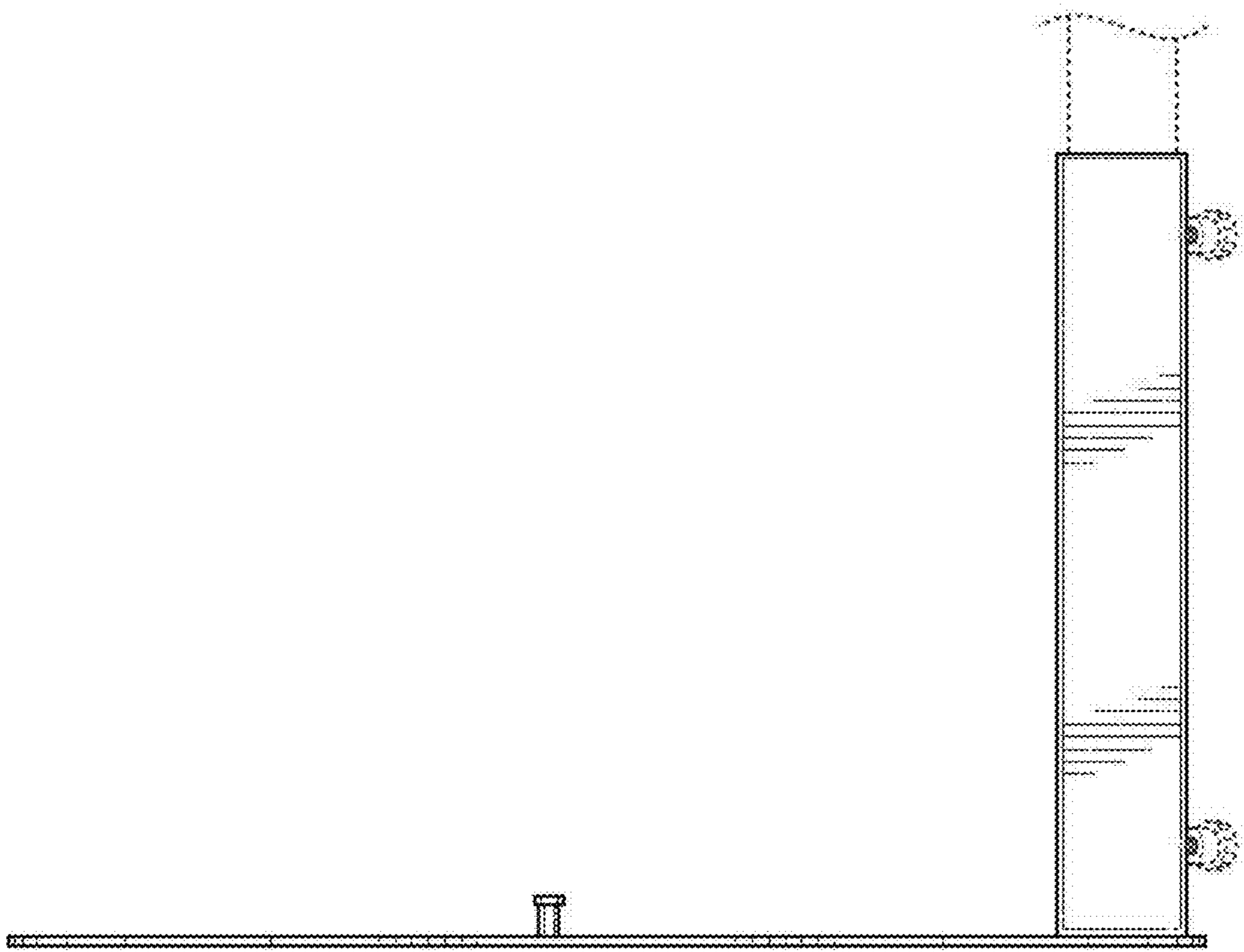


FIG. 5

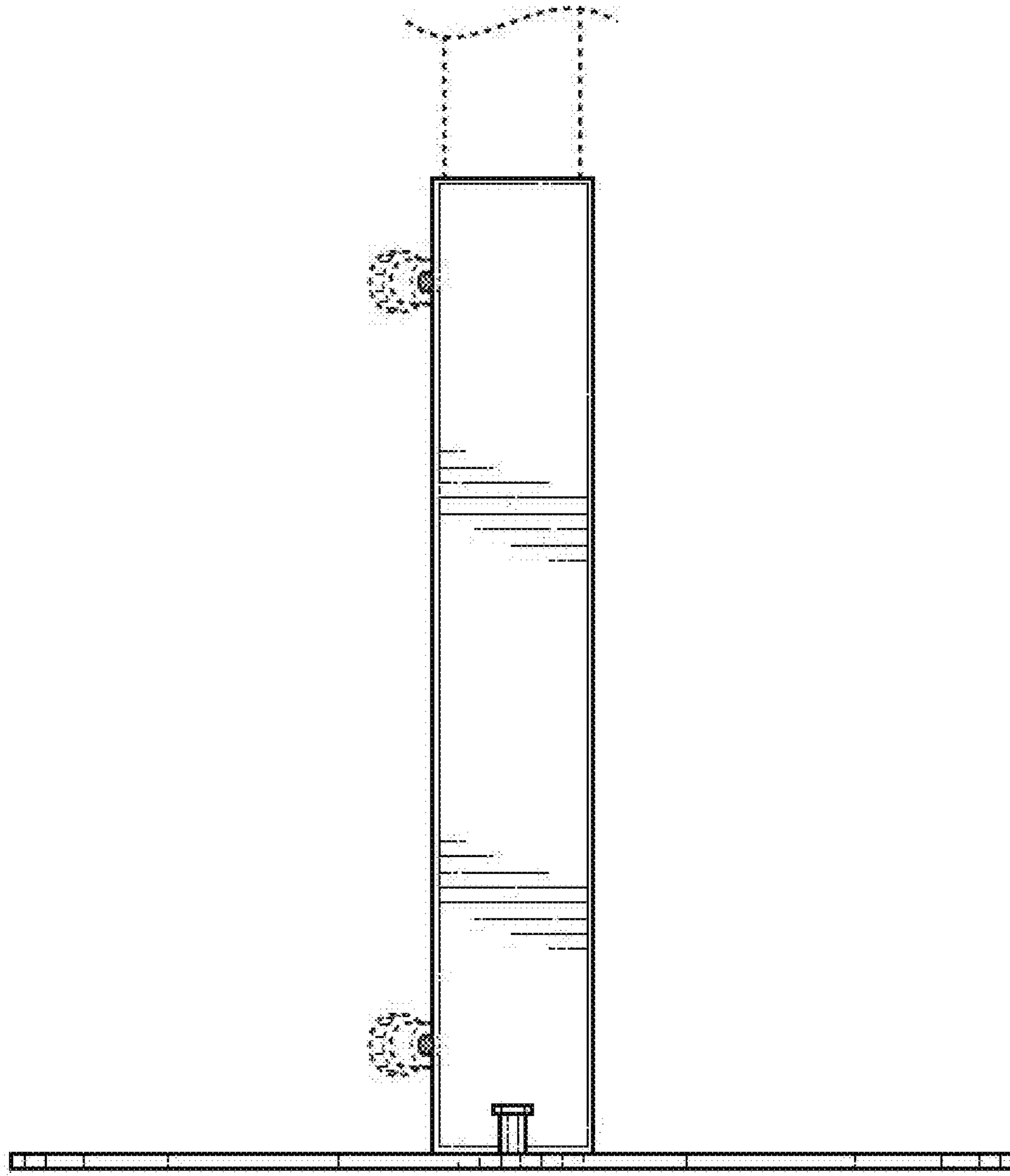


FIG. 6

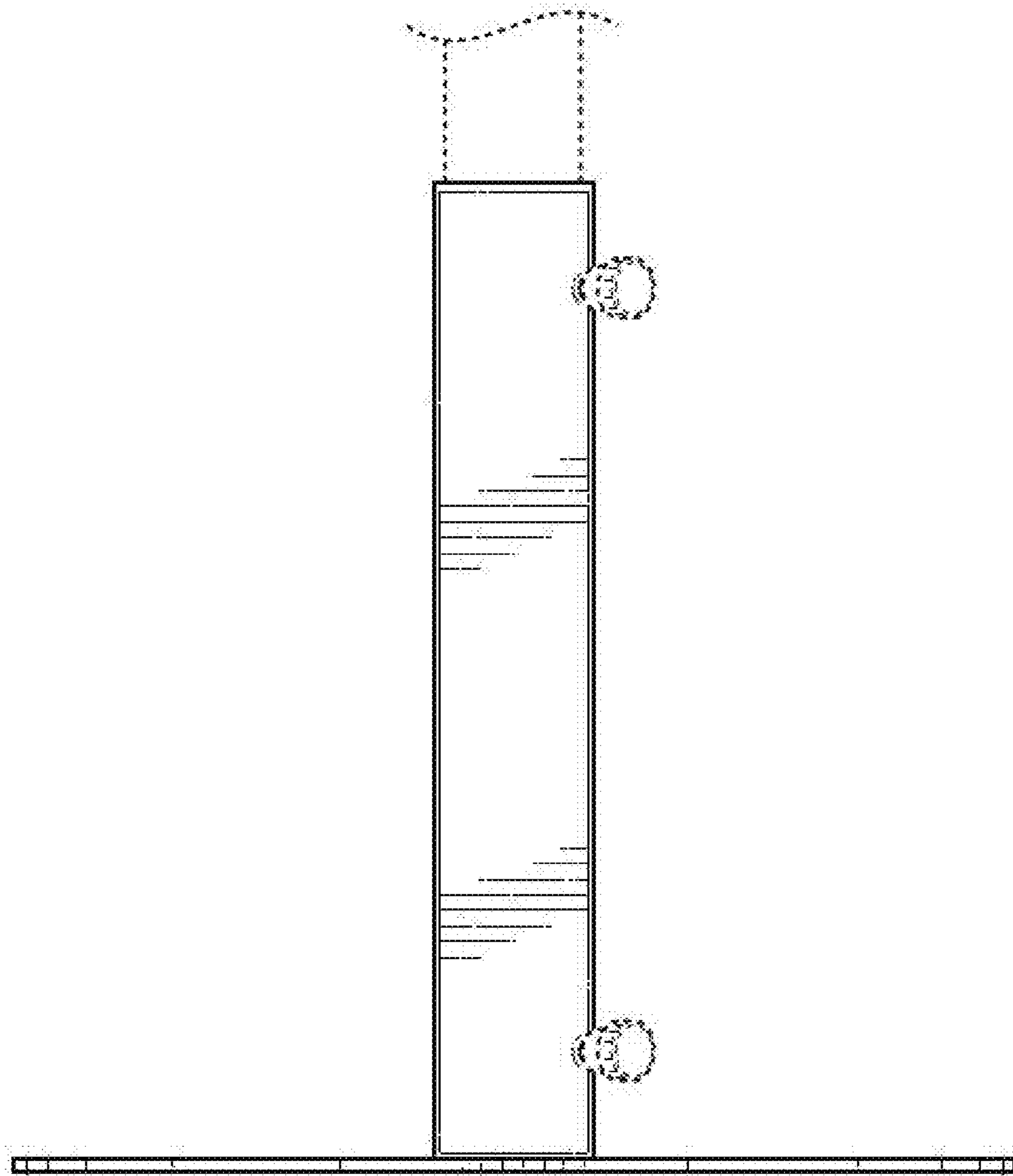


FIG. 7