



US00D822979S

(12) **United States Design Patent**
Wang et al.

(10) **Patent No.:** **US D822,979 S**
(45) **Date of Patent:** **** Jul. 17, 2018**

- (54) **DOME STUD FOR A SHOE**
- (71) Applicant: **Alexander Wang Incorporated**, New York, NY (US)
- (72) Inventors: **Alexander Wang**, New York, NY (US); **Nicolas Jean Berny**, Porto Vecchio (FR)
- (73) Assignee: **Alexander Wang Incorporated**, New York, NY (US)
- (**) Term: **15 Years**
- (21) Appl. No.: **29/588,840**
- (22) Filed: **Dec. 23, 2016**
- (51) **LOC (11) Cl.** **02-99**
- (52) **U.S. Cl.**
USPC **D2/976**
- (58) **Field of Classification Search**
USPC D2/896, 916, 919, 939, 946, 976;
D11/222, 226, 40
CPC A43B 3/10; A43B 3/101; A43B 3/102;
A43B 3/106; A43B 3/12; A43B 3/124;
A43B 23/24
See application file for complete search history.

(56) **References Cited**
U.S. PATENT DOCUMENTS

2,461,977 A *	2/1949	Gilmour	A43B 3/0078
			24/507
D342,598 S *	12/1993	Harrington	D2/939
D460,857 S *	7/2002	Milroy	D2/976
D521,213 S *	5/2006	Jarmon Mouchi	D2/946
D535,810 S *	1/2007	Simpson	D2/946
D554,847 S *	11/2007	Schmelzer	D2/946
D573,329 S *	7/2008	Loverin	D2/946

D578,299 S *	10/2008	Dennis	D2/946
D616,183 S *	5/2010	Skaja	D2/946
D665,987 S *	8/2012	El	D2/976
D677,045 S *	3/2013	Voskuil	D2/946
D791,465 S *	7/2017	Ratzlaff	D2/976
2008/0060110 A1 *	3/2008	Schmelzer	A42B 1/24
			2/69

* cited by examiner

Primary Examiner — Elizabeth J Oswecki
(74) *Attorney, Agent, or Firm* — Arent Fox LLP

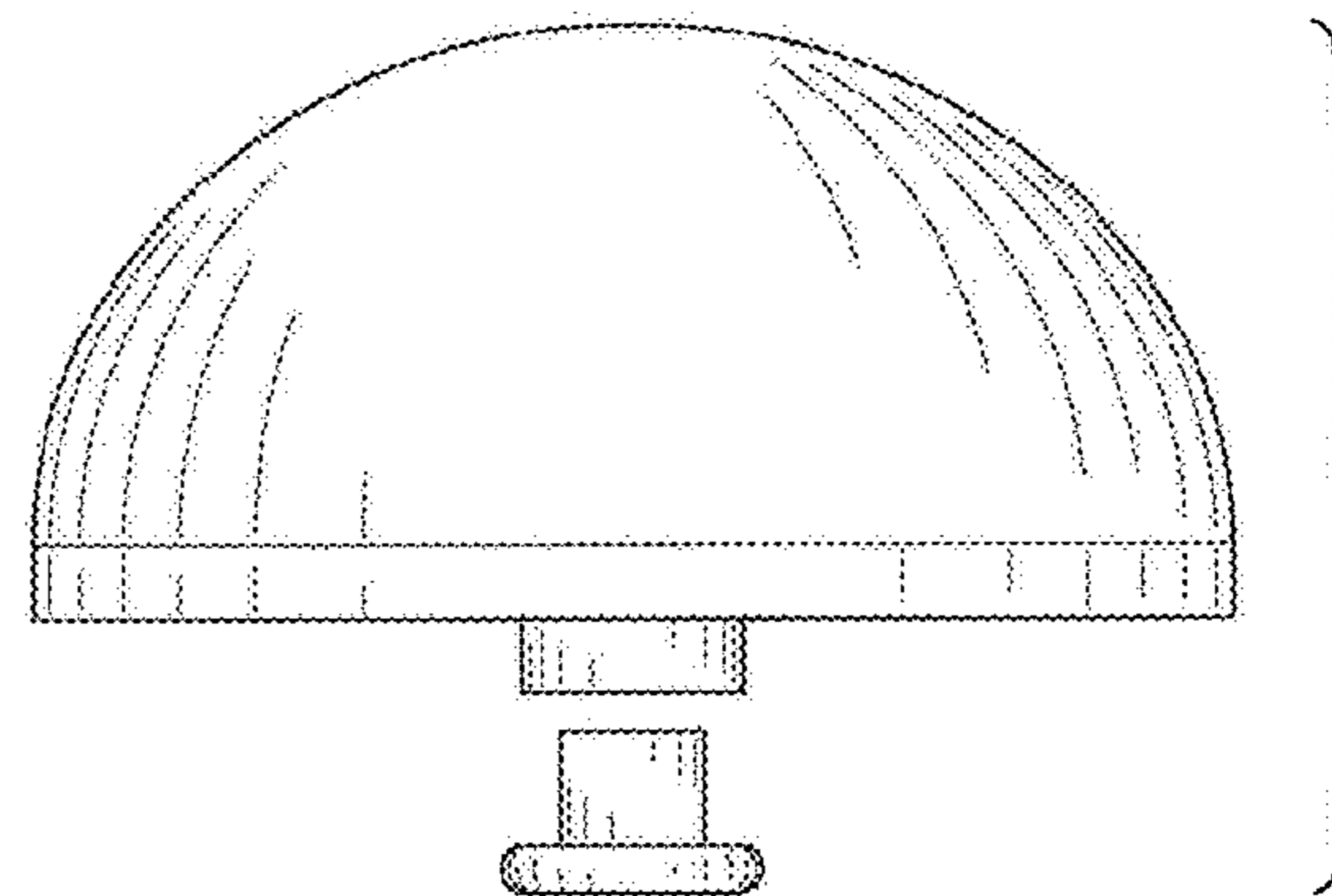
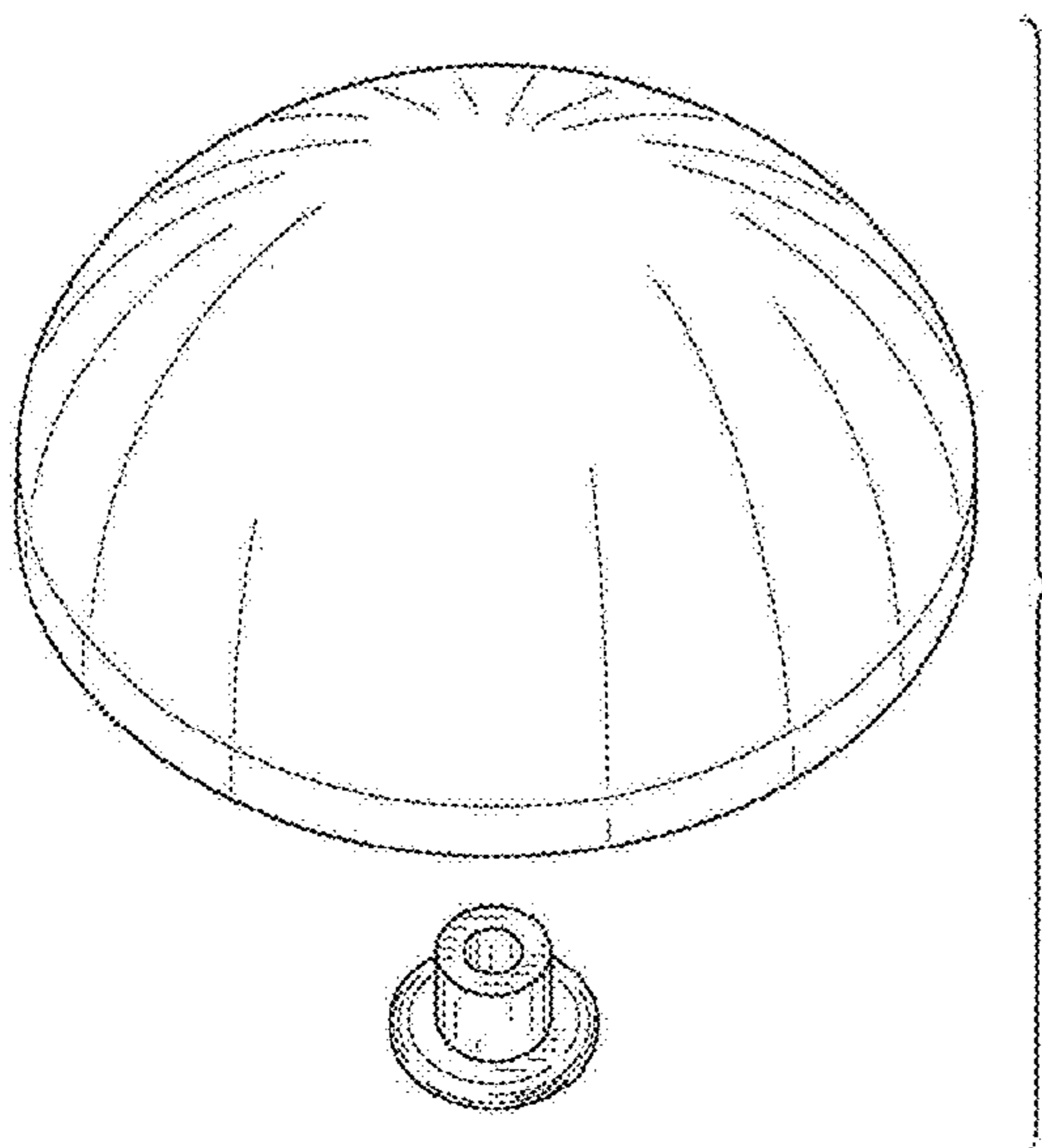
(57) **CLAIM**

The ornamental design for a dome stud for a shoe, as shown and described.

DESCRIPTION

FIG. 1 is a perspective view of a first embodiment of a dome stud for a shoe showing our new design;
 FIG. 2 is a front view thereof;
 FIG. 3 is a rear view thereof;
 FIG. 4 is a right side view thereof;
 FIG. 5 is a left side view thereof;
 FIG. 6 is a top view thereof;
 FIG. 7 is a bottom view thereof;
 FIG. 8 is a perspective view of a second embodiment of a dome stud for a shoe showing our new design, shown in a used condition on a shoe;
 FIG. 9 is a front view thereof;
 FIG. 10 is a rear view thereof;
 FIG. 11 is a left side view thereof;
 FIG. 12 is a right side view thereof;
 FIG. 13 is a top view thereof; and,
 FIG. 14 is a bottom view thereof.
 The broken lines in FIGS. 8-14 are included for the purpose of illustrating environment and form no part of the claimed design.

1 Claim, 10 Drawing Sheets



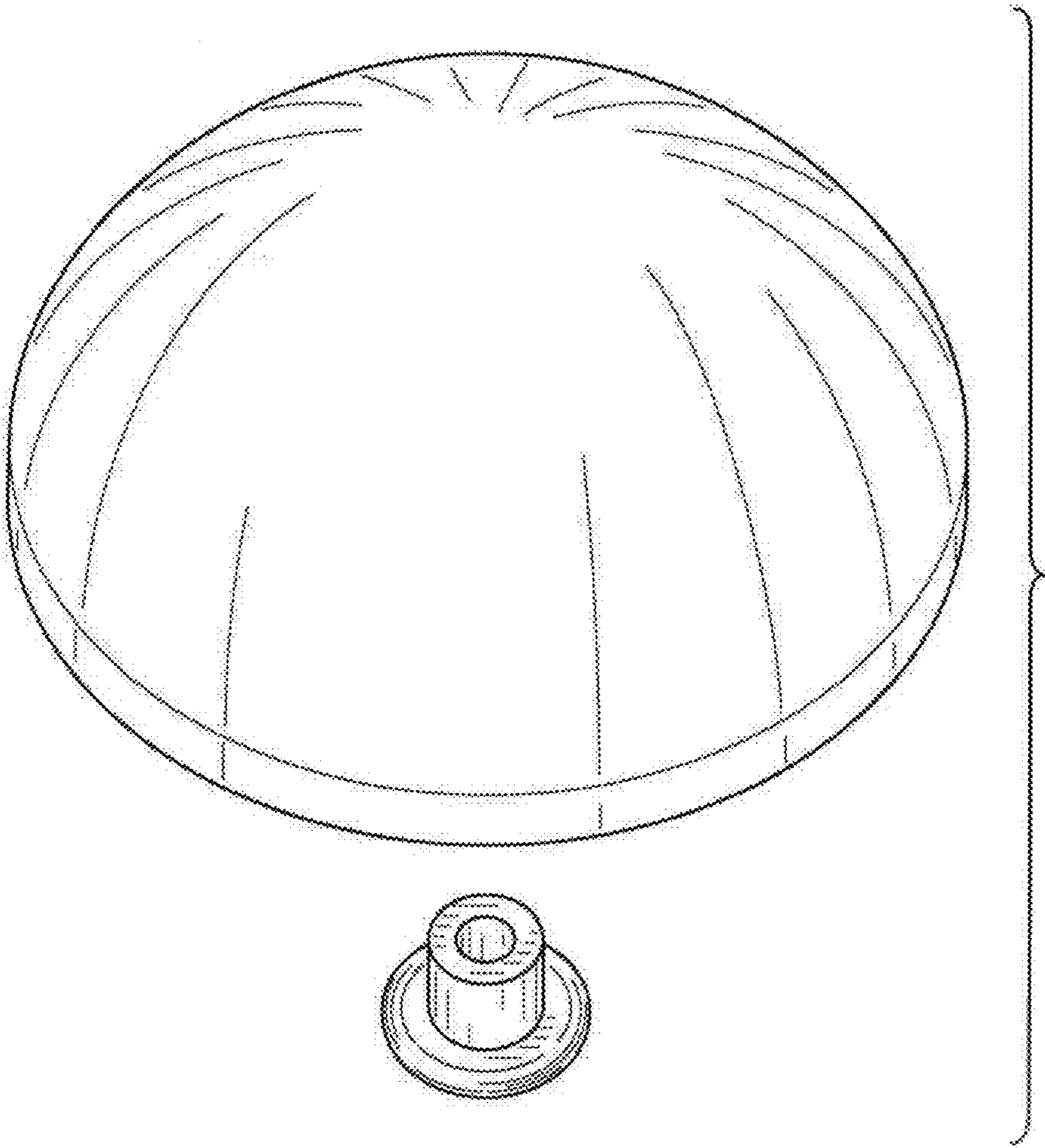


FIG. 1

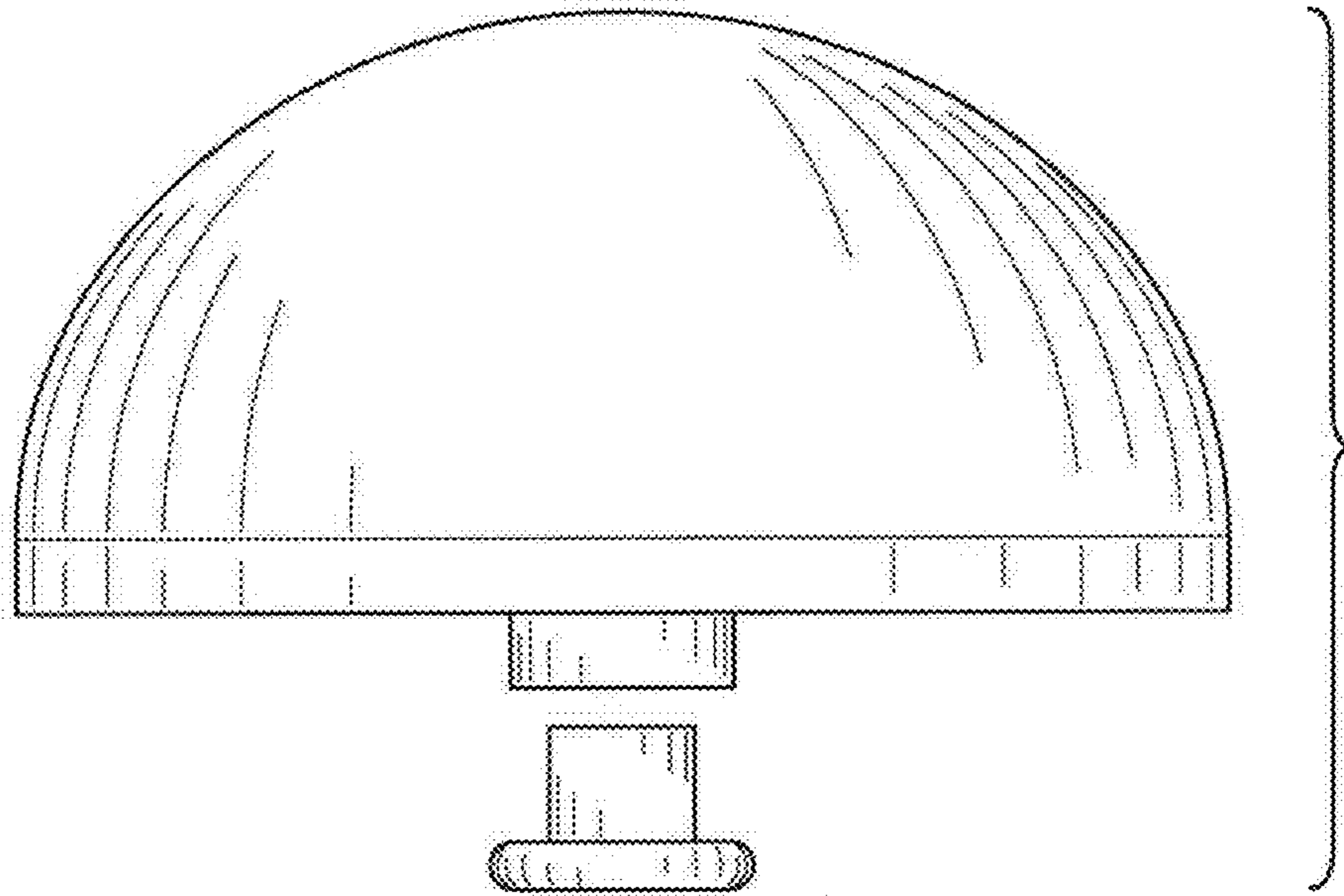


FIG. 2

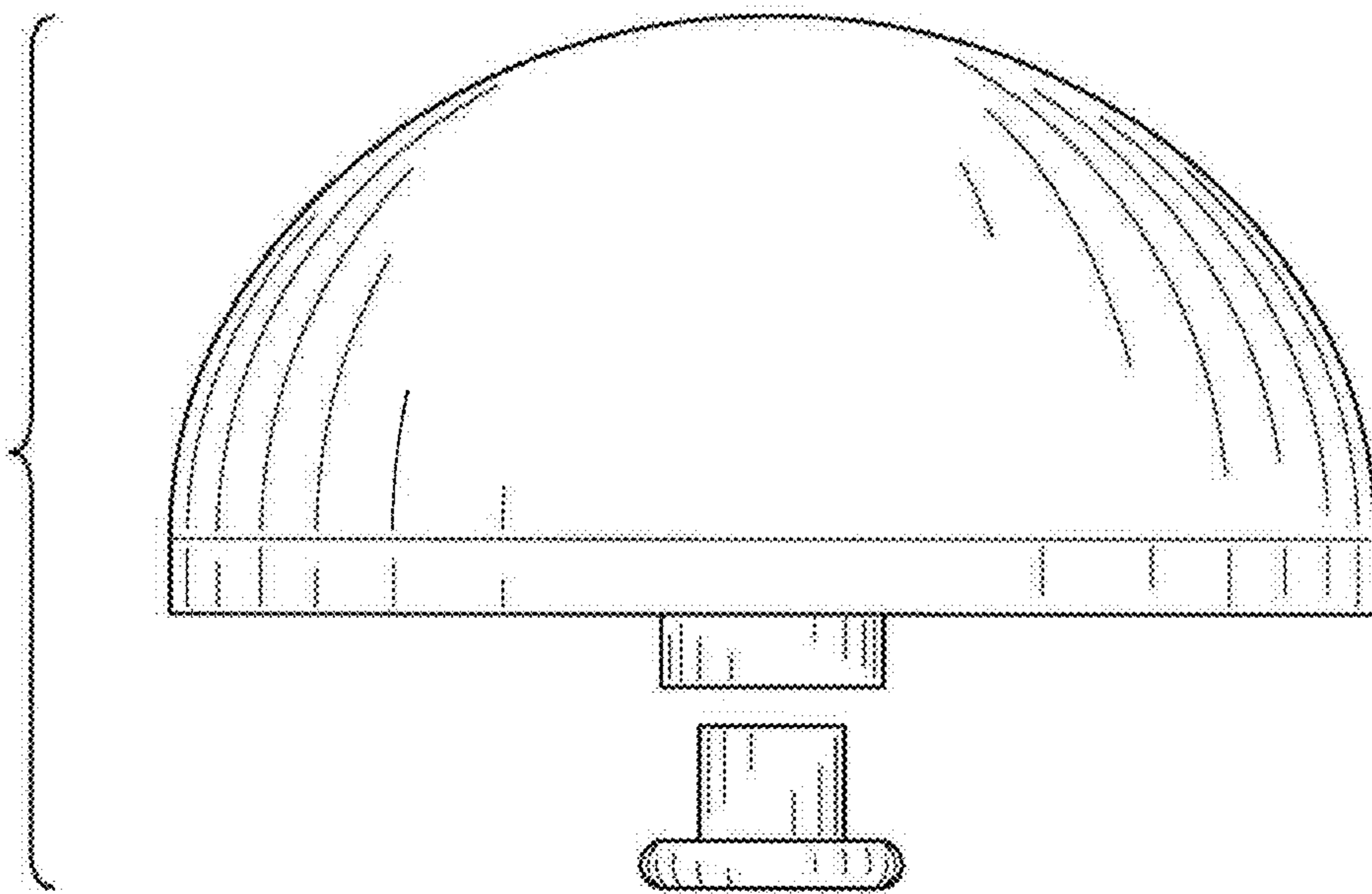


FIG. 3

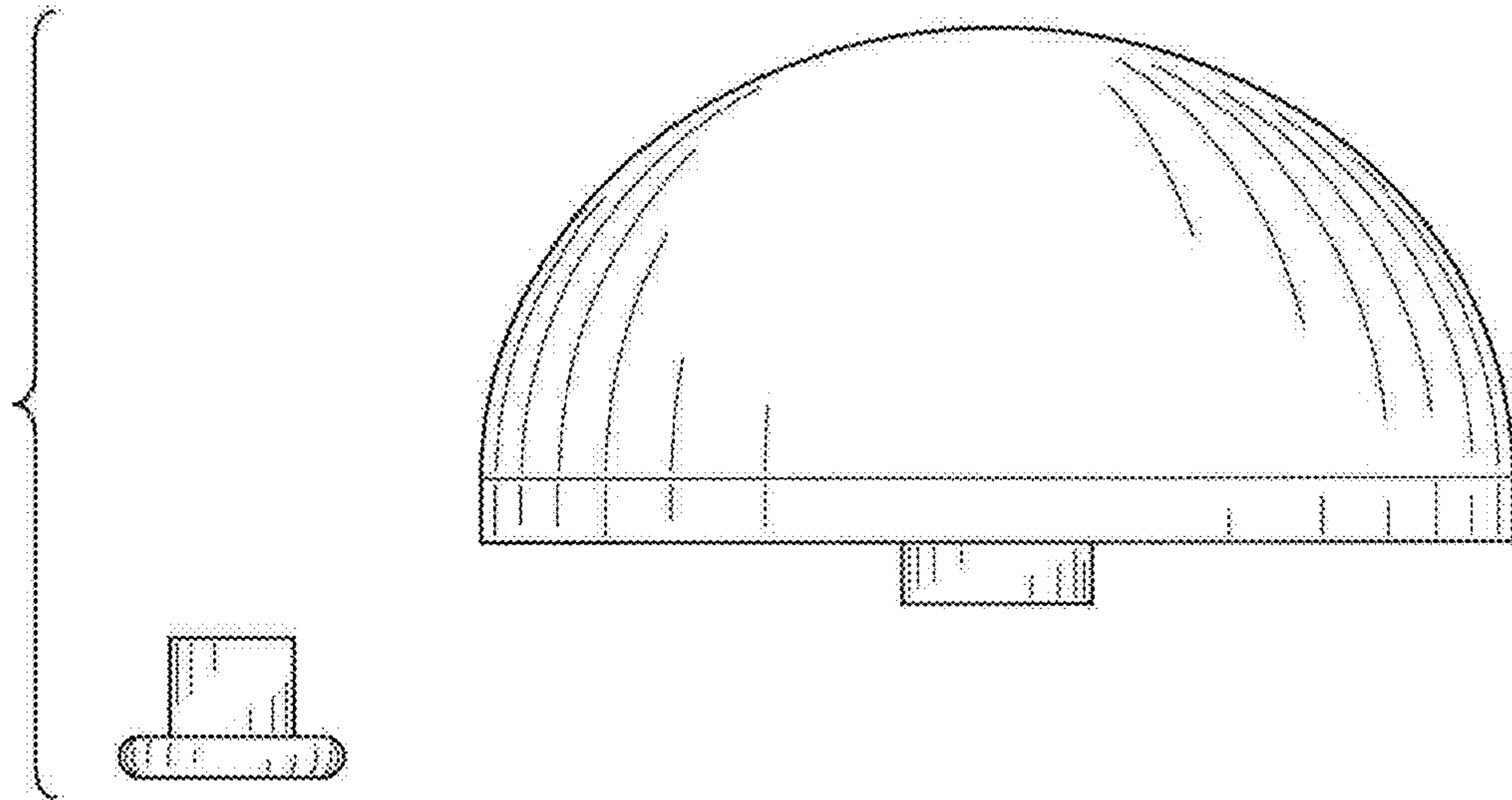


FIG. 4

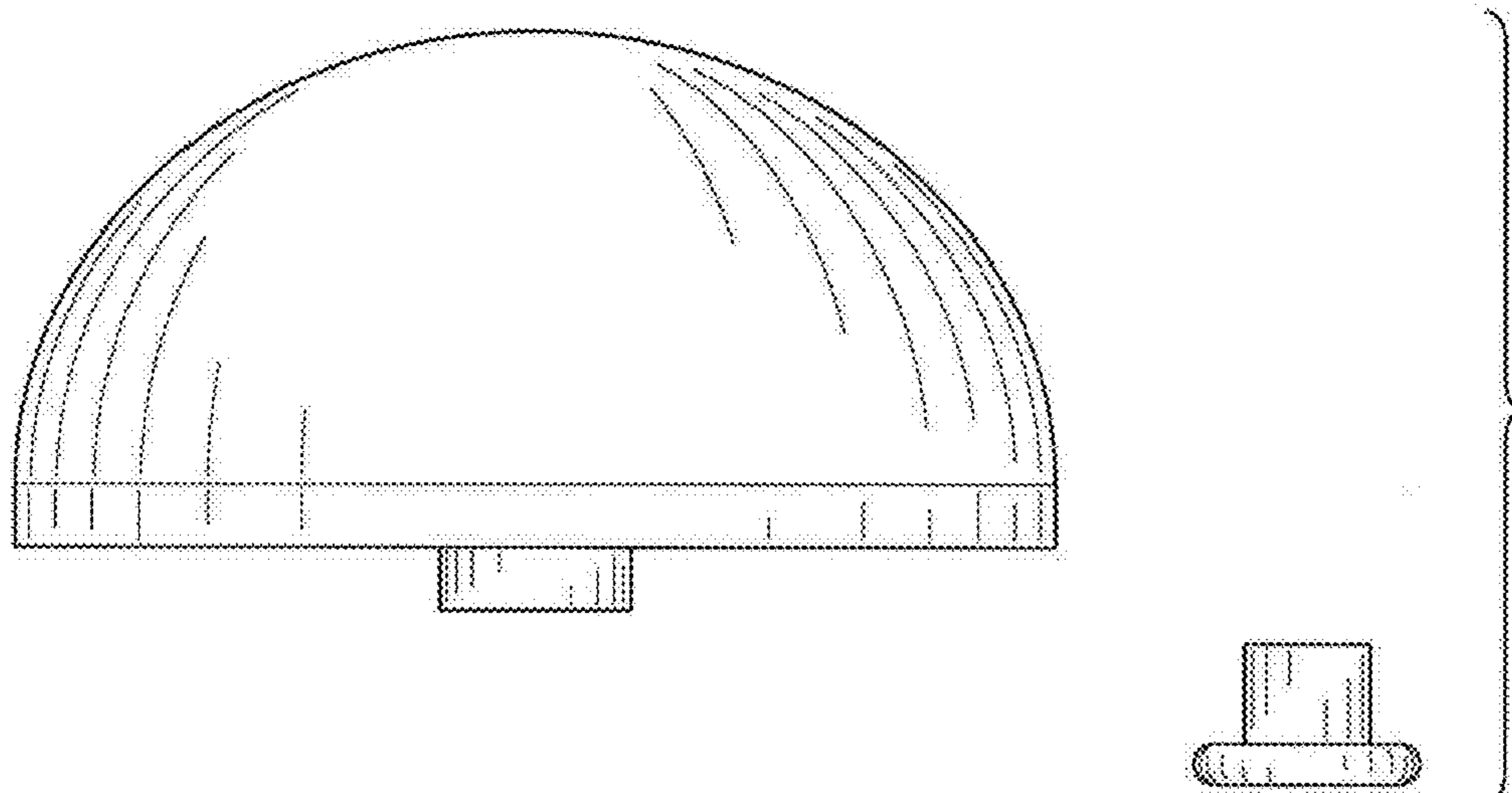


FIG. 5

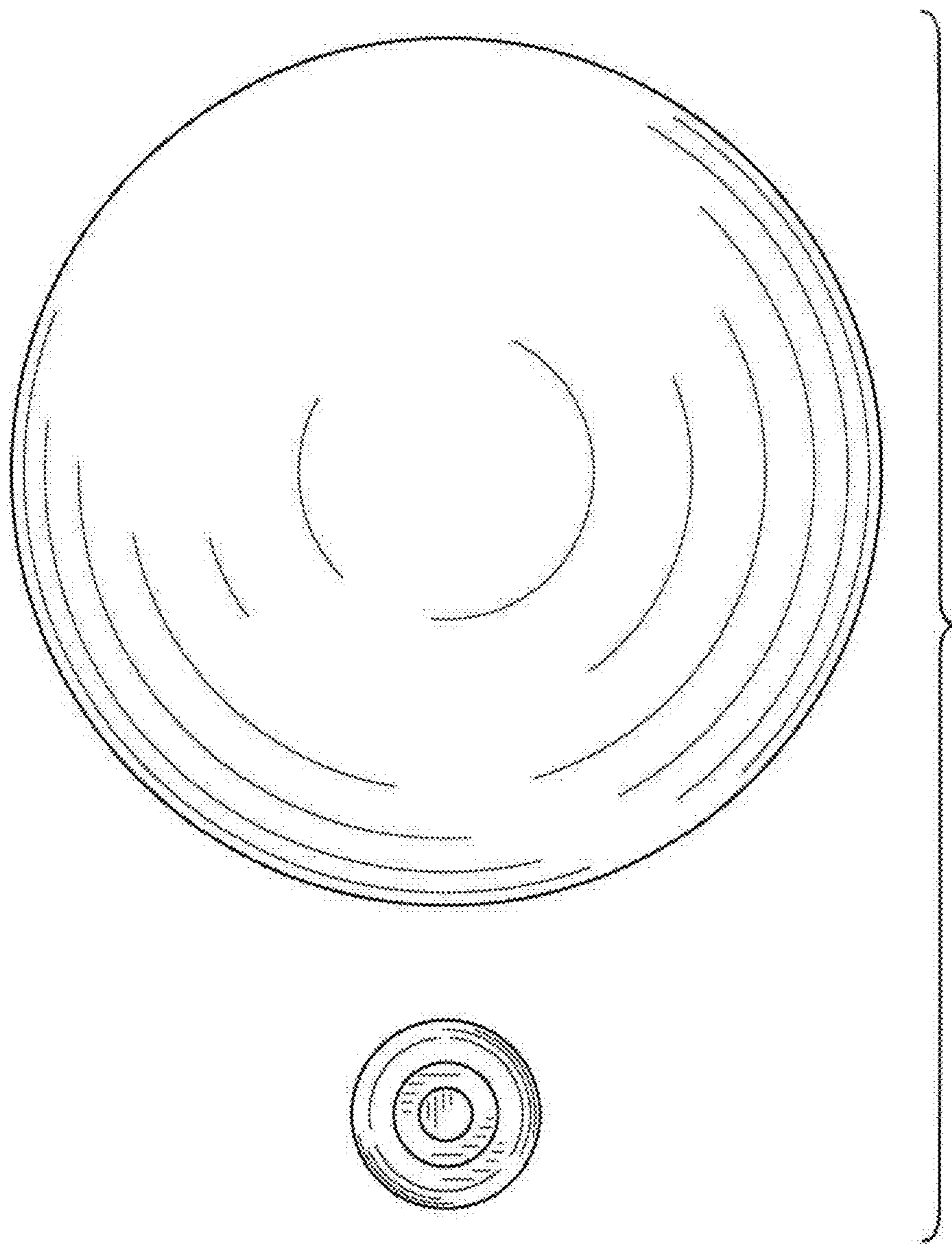


FIG. 6



FIG. 7

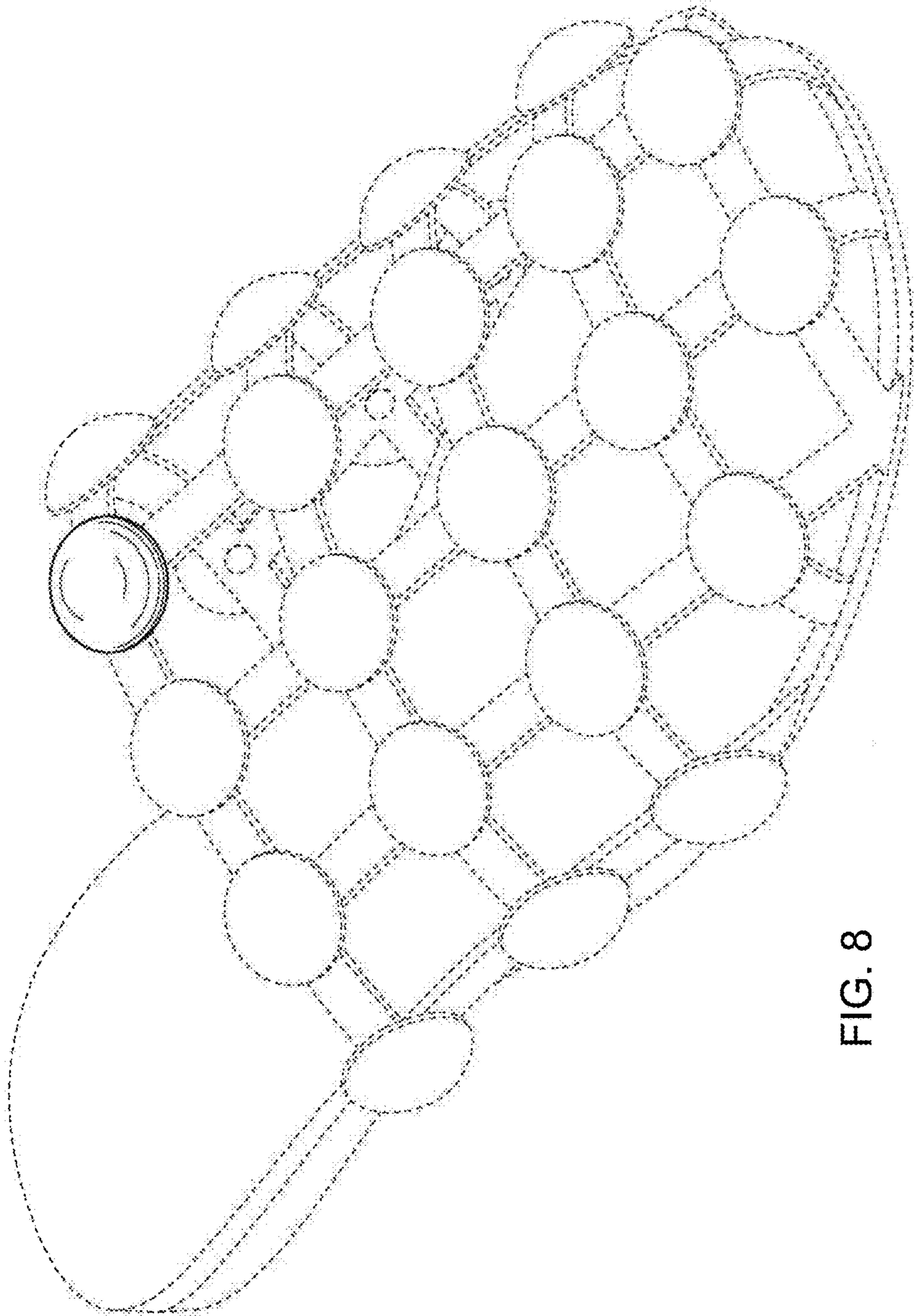


FIG. 8

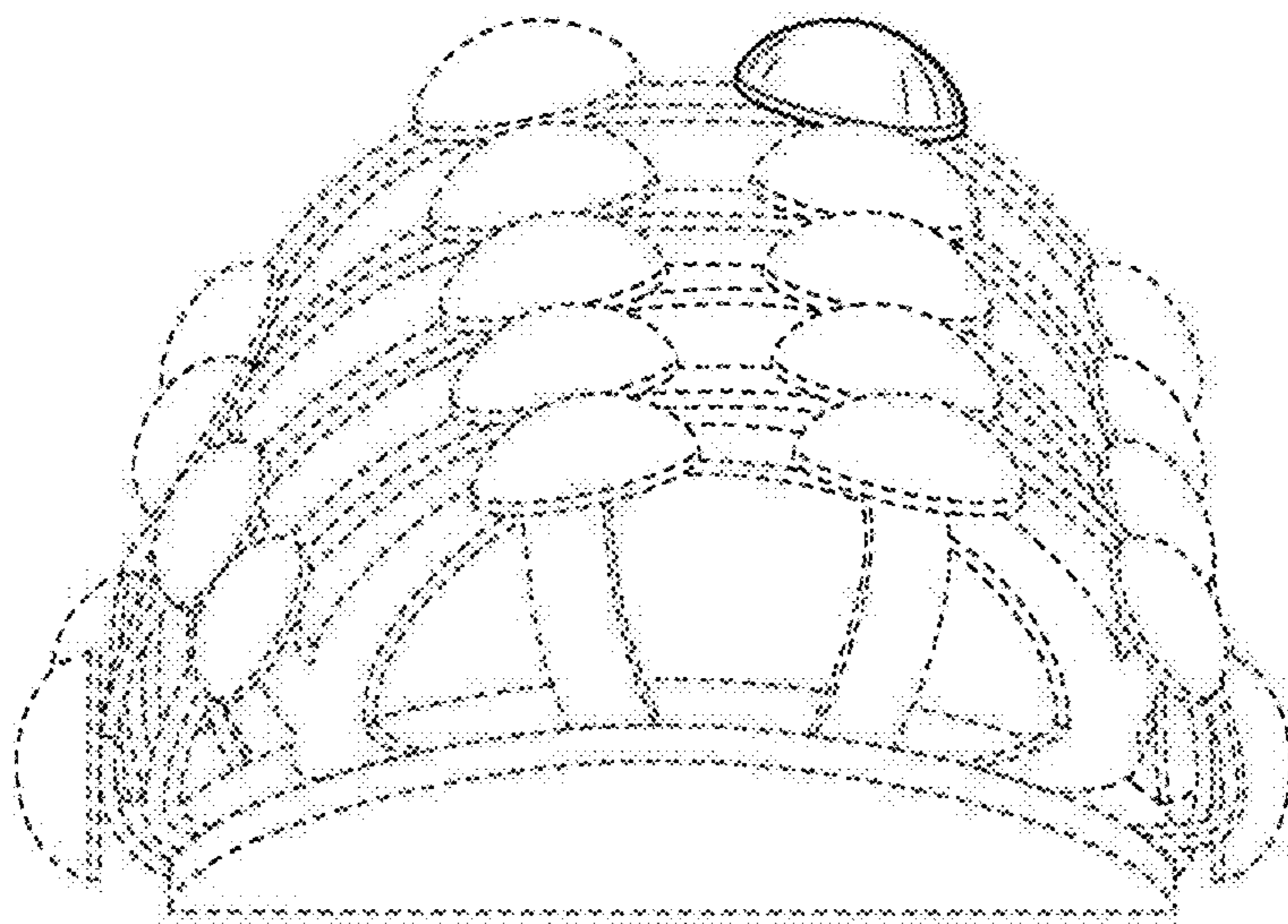


FIG. 9

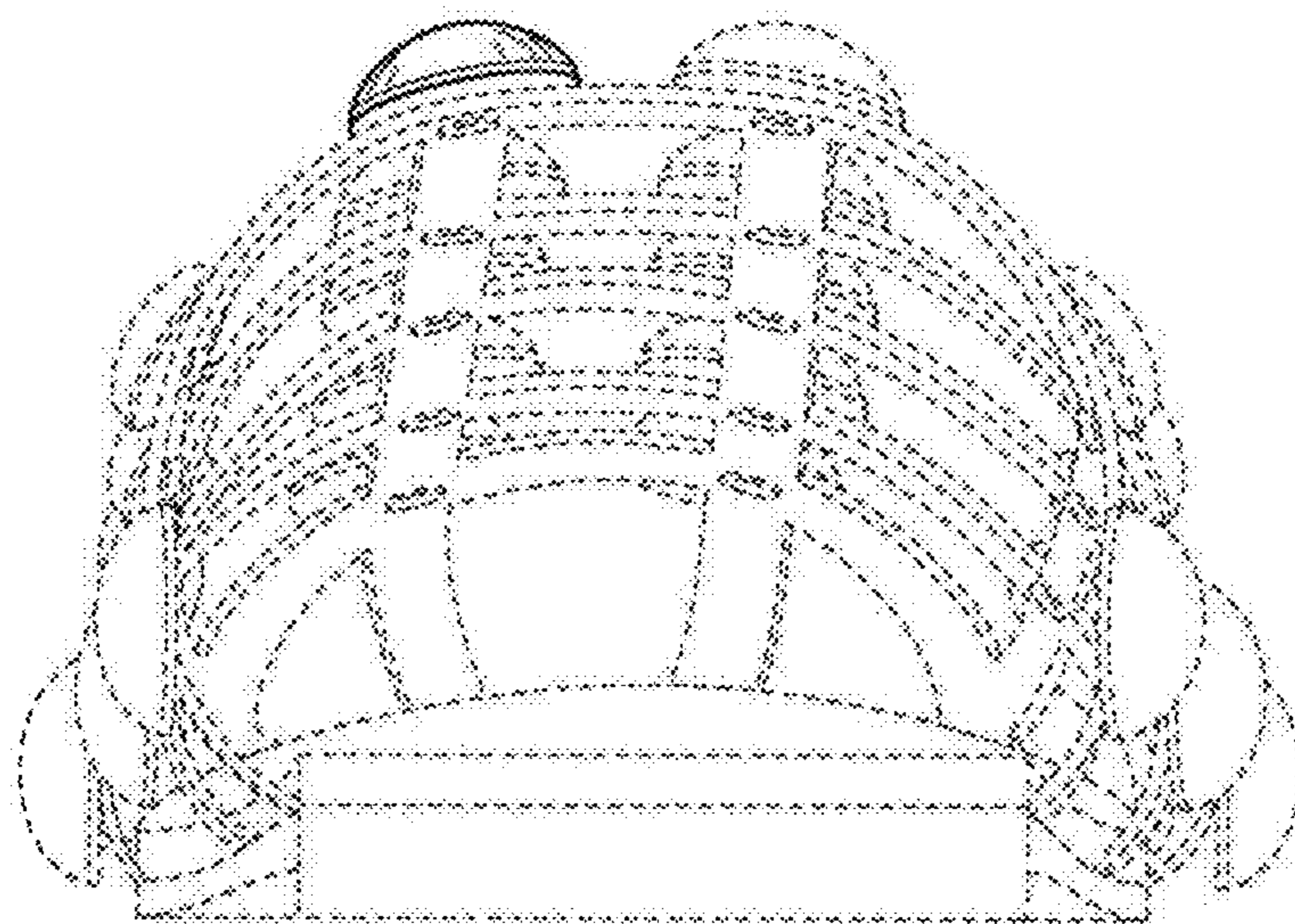


FIG. 10

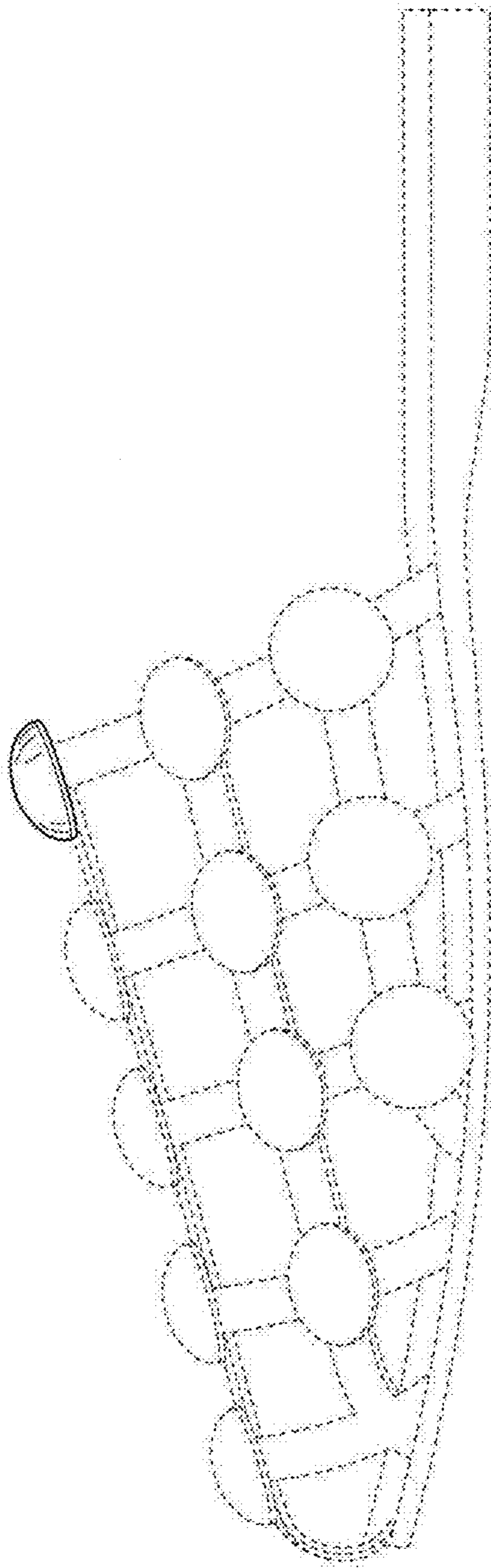


FIG. 11

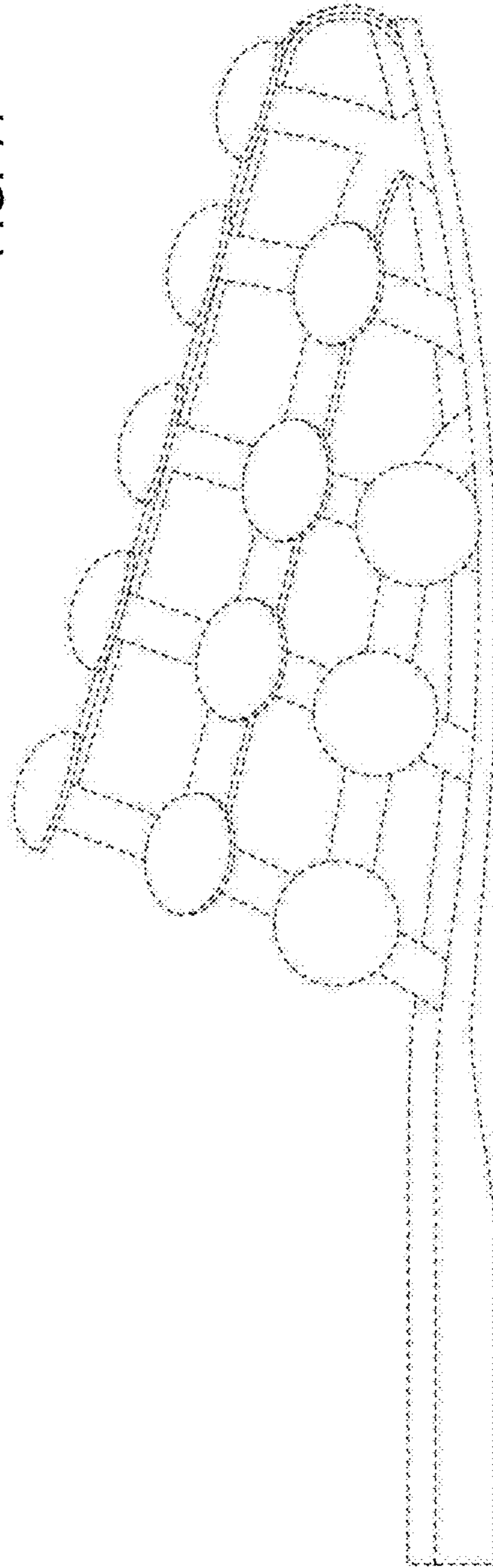


FIG. 12



FIG. 13

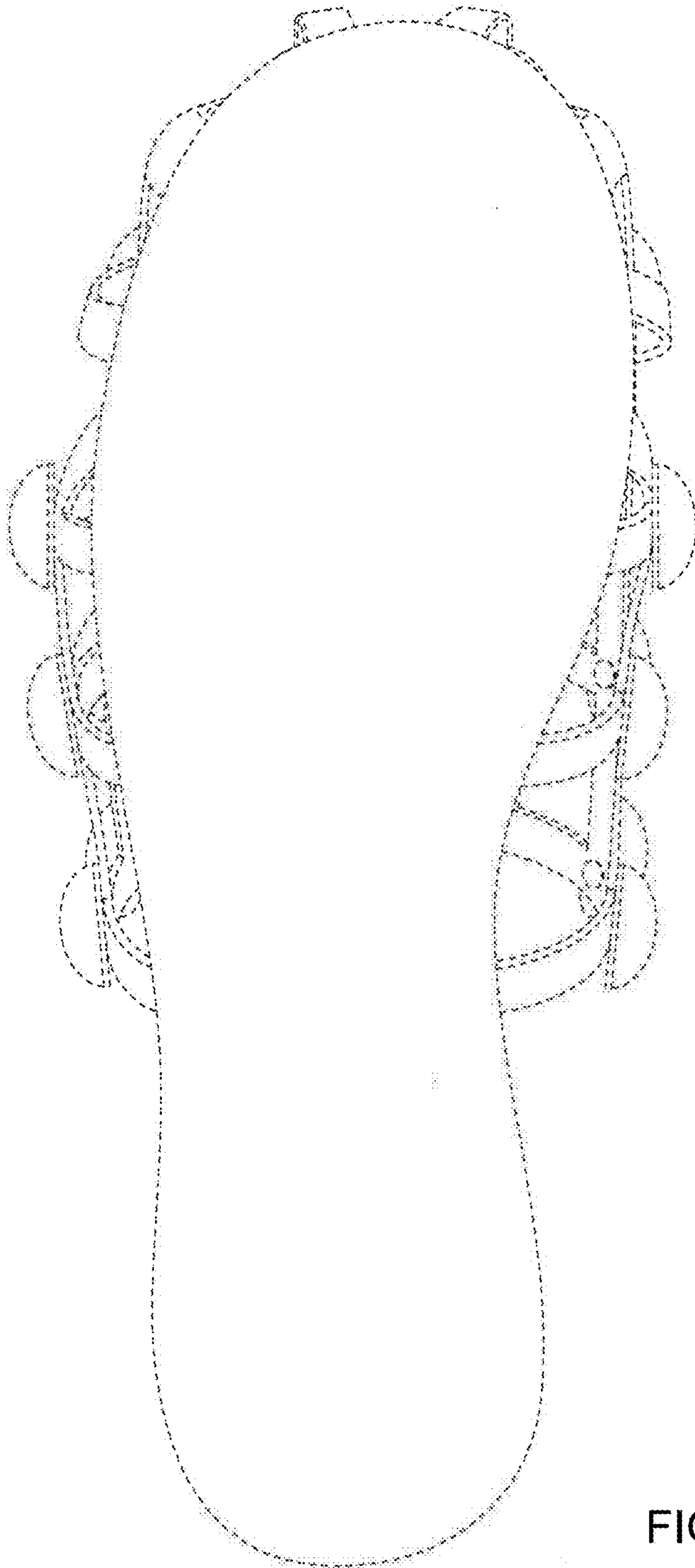


FIG. 14