

US00D822953S

(12) **United States Design Patent**
Lowe

(10) **Patent No.:** **US D822,953 S**
(45) **Date of Patent:** **** Jul. 17, 2018**

- (54) **COLLAR STAY**
- (71) Applicant: **Dia Lowe**, St. Louis, MO (US)
- (72) Inventor: **Dia Lowe**, St. Louis, MO (US)
- (**) Term: **15 Years**
- (21) Appl. No.: **29/577,716**
- (22) Filed: **Sep. 15, 2016**
- (51) **LOC (11) Cl.** **02-02**
- (52) **U.S. Cl.**
USPC **D2/859**
- (58) **Field of Classification Search**
USPC D2/859
CPC A41B 3/00; A41B 3/06
See application file for complete search history.

(56) **References Cited**

U.S. PATENT DOCUMENTS

- 1,414,119 A * 4/1922 Feigenbaum A41B 3/06
2/132
- 1,826,176 A * 10/1931 Hutchison A41B 3/06
2/132
- 1,845,884 A * 2/1932 Marinsky A41B 3/06
2/116
- 2,324,617 A * 7/1943 Des Jardins A41B 3/08
2/137
- 2,487,284 A * 11/1949 Thomas A41B 3/06
2/132
- 2,510,030 A * 5/1950 Carlisle, Jr. A41B 3/06
2/132

- 2,744,255 A * 5/1956 Portias A41B 3/06
2/132
- 2,769,979 A * 11/1956 Driesbach A41B 3/06
123/73 V
- 7,004,361 B2 * 2/2006 Thomas A41D 27/18
223/3
- 7,051,376 B2 * 5/2006 Friedman A41B 3/08
2/132
- D640,042 S * 6/2011 Biancamano D2/859
- 9,717,280 B2 * 8/2017 Truong A41B 3/06
- 2010/0313331 A1 * 12/2010 English A41B 3/06
2/132
- 2014/0090152 A1 * 4/2014 Fernandez A41B 3/06
2/256

* cited by examiner

Primary Examiner — Kevin K Rudzinski

(74) *Attorney, Agent, or Firm* — Sandberg Phoenix & von Gontard P.C.

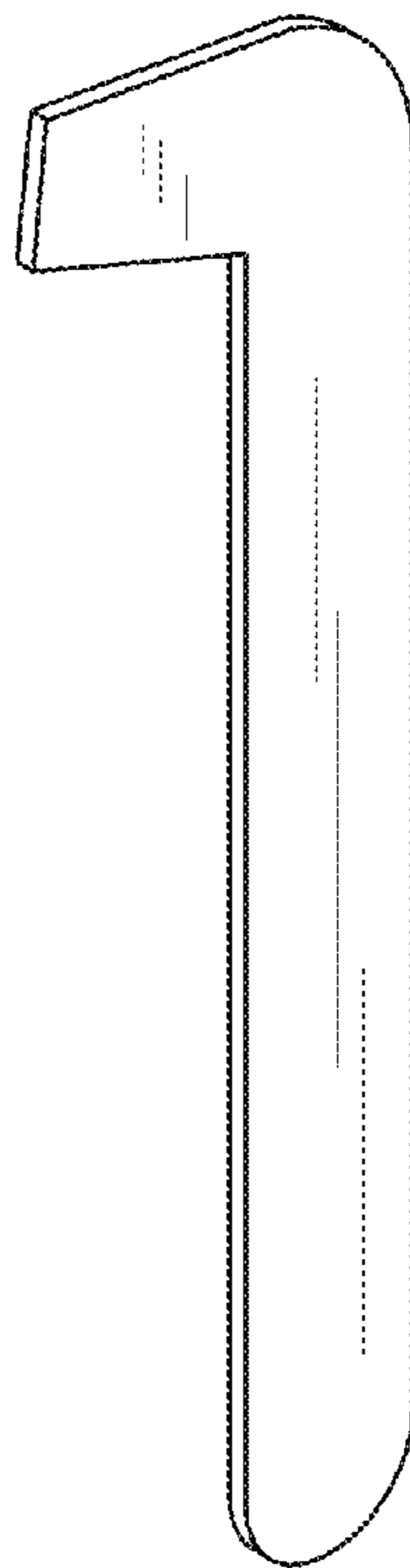
(57) **CLAIM**

The ornamental design for a collar stay, as shown and described.

DESCRIPTION

FIG. 1 is a perspective view of a collar stay showing my present invention; FIGS. 2 and 3 are respective front and rear elevation views of the collar stay; FIGS. 4 and 5 are respective side elevational views of the collar stay; FIG. 6 is a top plan view of the collar stay; and, FIG. 7 is a bottom plan view of the collar stay.

1 Claim, 1 Drawing Sheet



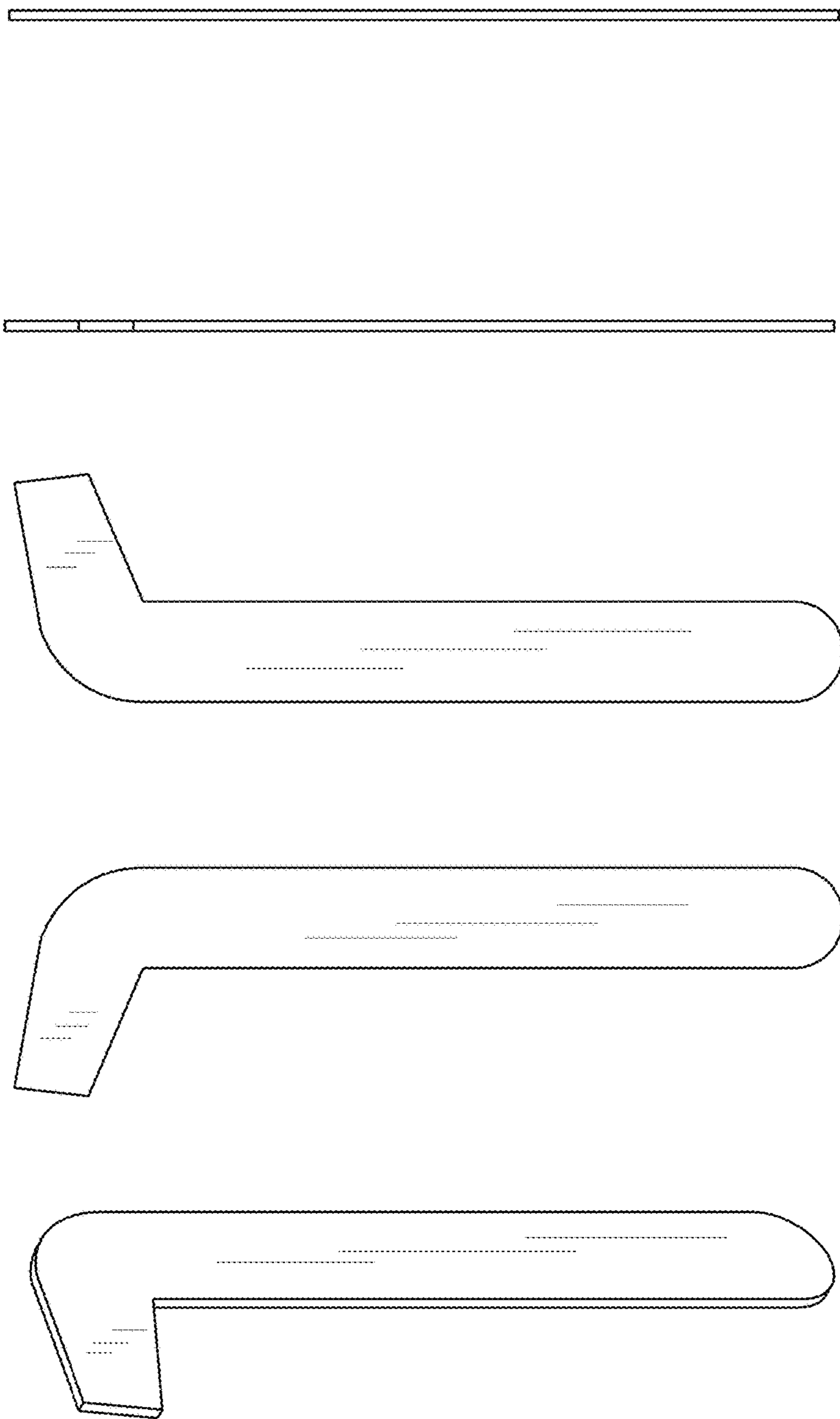


FIG. 1 FIG. 2 FIG. 3 FIG. 4 FIG. 5

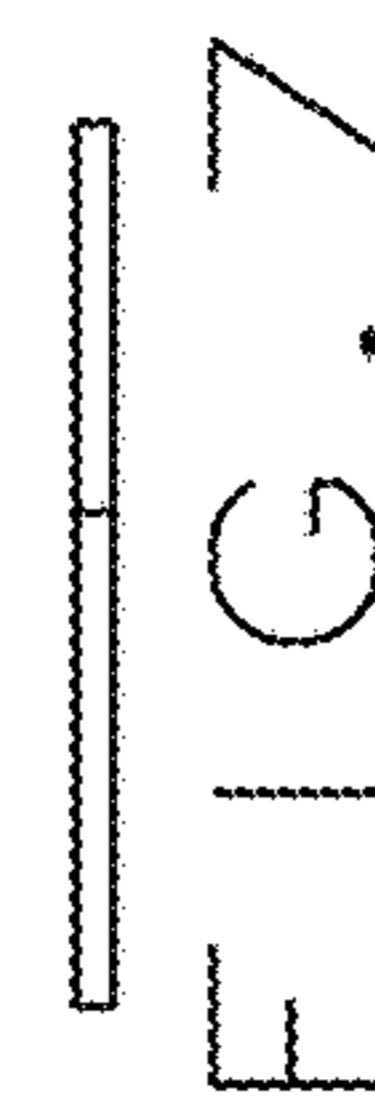


FIG. 6



FIG. 7