



US00D822951S

(12) **United States Design Patent** (10) **Patent No.:** **US D822,951 S**
Allouche (45) **Date of Patent:** **** Jul. 17, 2018**

(54) **BOARD SHORT POCKET FLAP**
(71) Applicant: **Abraham I. Allouche**, Hallandale, FL (US)
(72) Inventor: **Abraham I. Allouche**, Hallandale, FL (US)
(**) Term: **15 Years**
(21) Appl. No.: **29/587,780**
(22) Filed: **Dec. 15, 2016**
(51) **LOC (11) Cl.** **02-02**
(52) **U.S. Cl.**
USPC **D2/857**
(58) **Field of Classification Search**
USPC D8/18, 33, 38, 40; D2/853, 857, 866, D2/916, 917, 940, 954; D7/507, 509, D7/682
CPC A41D 1/08; A41D 27/201; B67B 7/16; B65D 25/20
See application file for complete search history.

8,549,667 B1 10/2013 Fuller
D706,090 S * 6/2014 Spector D7/682
D747,077 S * 1/2016 Jayalath D2/857
D760,048 S * 6/2016 Jordan D8/38
D780,546 S * 3/2017 Kieu D8/40
D786,538 S * 5/2017 Morenstein D2/857
D790,277 S * 6/2017 Mackesy, II D7/507
D792,179 S * 7/2017 Hsieh D8/33
2006/0031977 A1 2/2006 Wysopal
2007/0271679 A1 11/2007 Wysopal
2008/0263741 A1 10/2008 Tempini
2011/0030124 A1 2/2011 Zhen
2011/0179545 A1 7/2011 Rummel
2011/0253569 A1* 10/2011 Lord B65D 25/20
206/320
2013/0047317 A1 2/2013 Hanover
(Continued)

Primary Examiner — Kevin K Rudzinski
Assistant Examiner — Paul D Bohannon
(74) *Attorney, Agent, or Firm* — Malloy & Malloy, P.L.

(57) **CLAIM**

The ornamental design for a board short pocket flap, as shown and described.

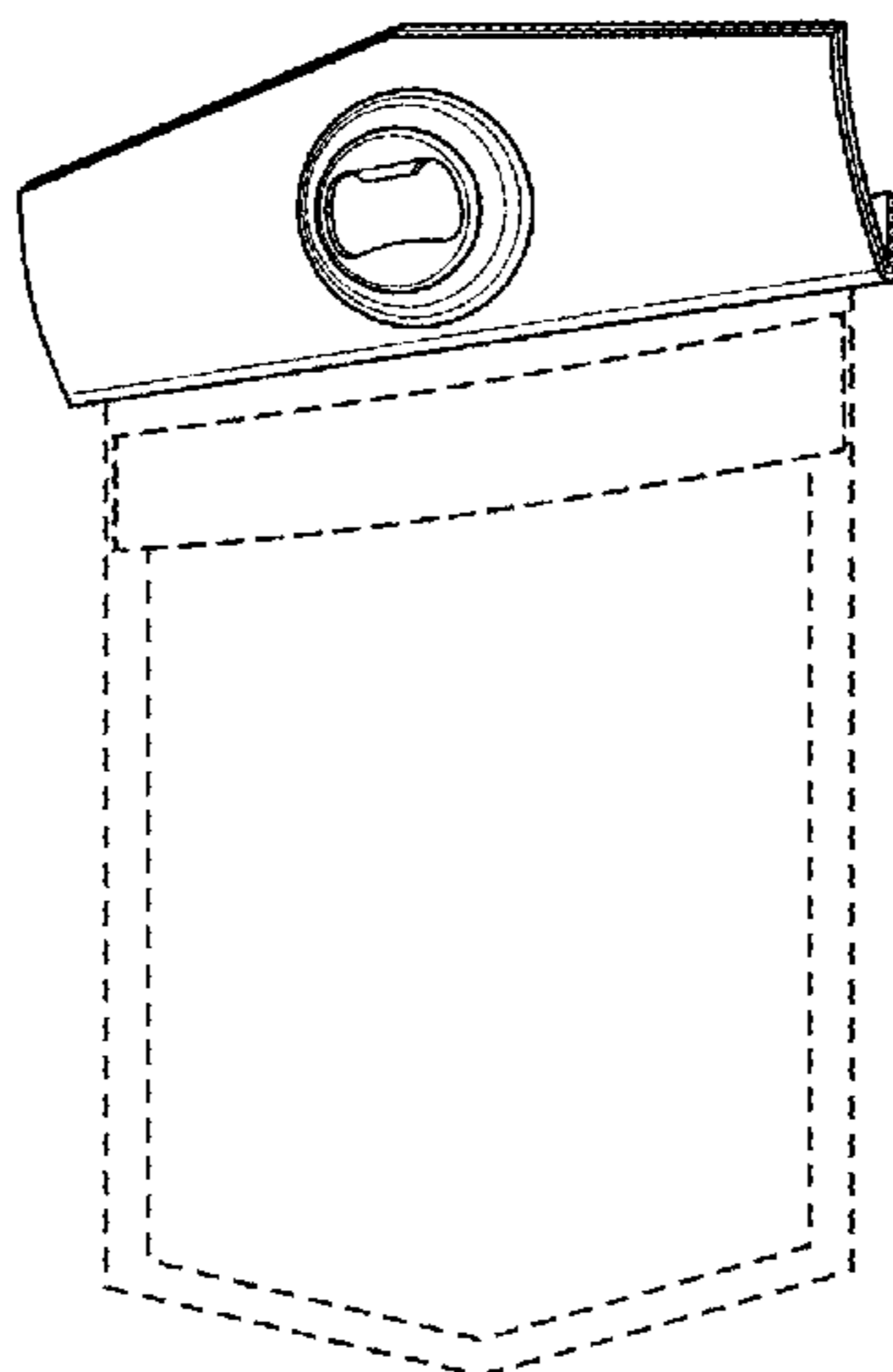
(56) **References Cited**
U.S. PATENT DOCUMENTS

3,175,233	A	3/1965	Caravella	
3,903,547	A	9/1975	Schiller	
5,133,233	A	7/1992	Erwin	
5,261,299	A	11/1993	Kondos	
D420,265	S *	2/2000	Pierce	D8/18
D506,910	S *	7/2005	Tham-itthisak	D7/509
D548,931	S *	8/2007	Valcourt	D2/866
D550,931	S *	9/2007	Valcourt	D2/866
7,284,284	B2	10/2007	Wysopal	
D582,127	S *	12/2008	Johanns	D2/857
7,469,428	B2	12/2008	Brauner	
D584,885	S *	1/2009	Contreras	D2/917
D585,632	S *	2/2009	Contreras	D2/917
7,484,249	B1	2/2009	Reese	
8,196,221	B2	6/2012	Fuwausa	

DESCRIPTION

FIG. 1 is a front view in closed orientation illustrating my design for a board short pocket flap;
FIG. 2 is a front view in open orientation thereof;
FIG. 3 is a perspective bottom view in open orientation thereof;
FIG. 4 is a perspective top view in open orientation thereof;
FIG. 5 is a right side view wherein the left side view is a mirror image of the right side view thereof; and,
FIG. 6 is a front perspective view in open orientation thereof.
The broken lines in the drawings illustrate environmental structure and form no part of the claimed design.

1 Claim, 6 Drawing Sheets



(56)

References Cited

U.S. PATENT DOCUMENTS

2014/0216209 A1* 8/2014 Shrock B67B 7/16
81/3.25
2017/0265543 A1* 9/2017 Allouche A41D 27/201
2017/0265544 A1* 9/2017 Allouche A41D 27/201

* cited by examiner

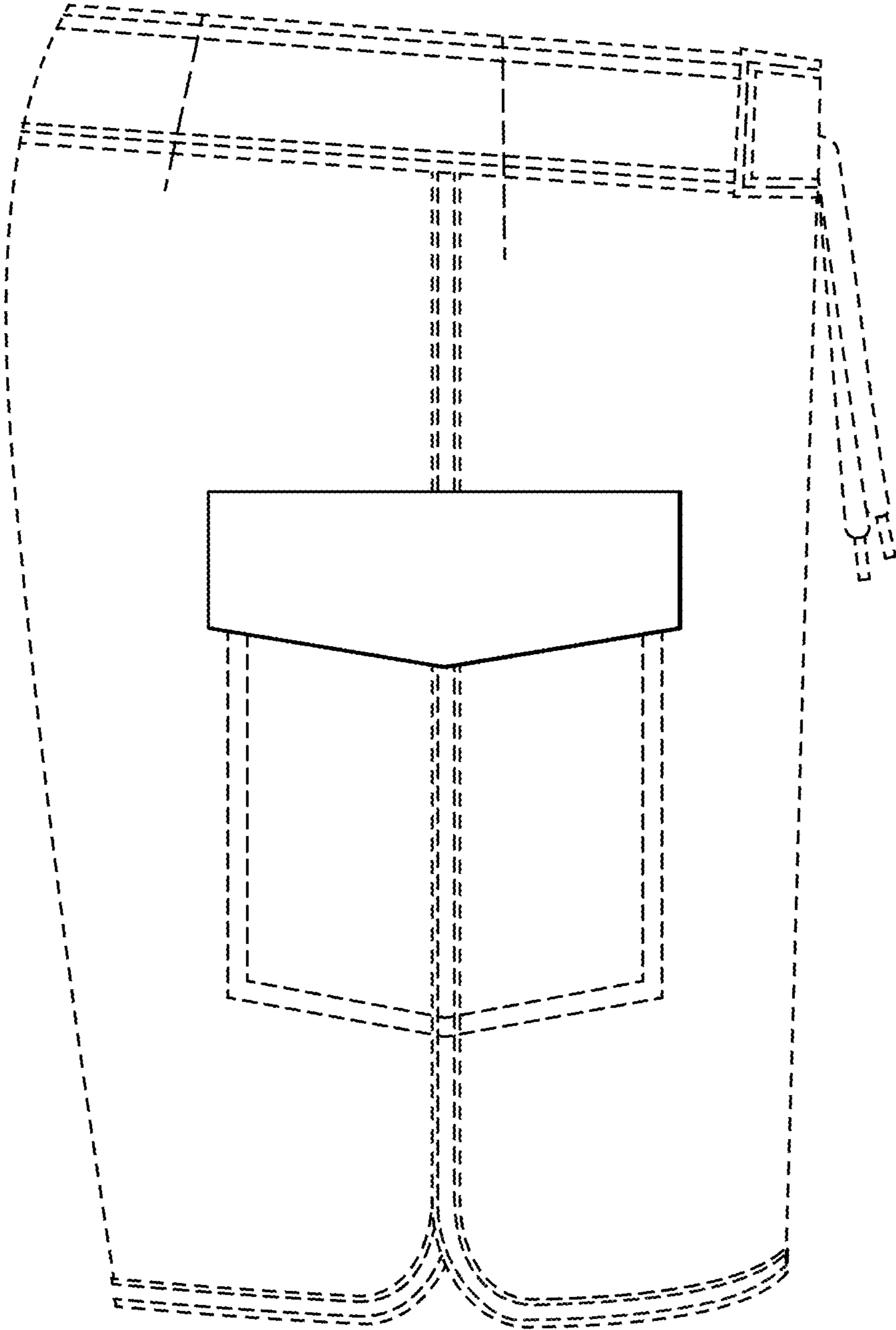


FIG. 1

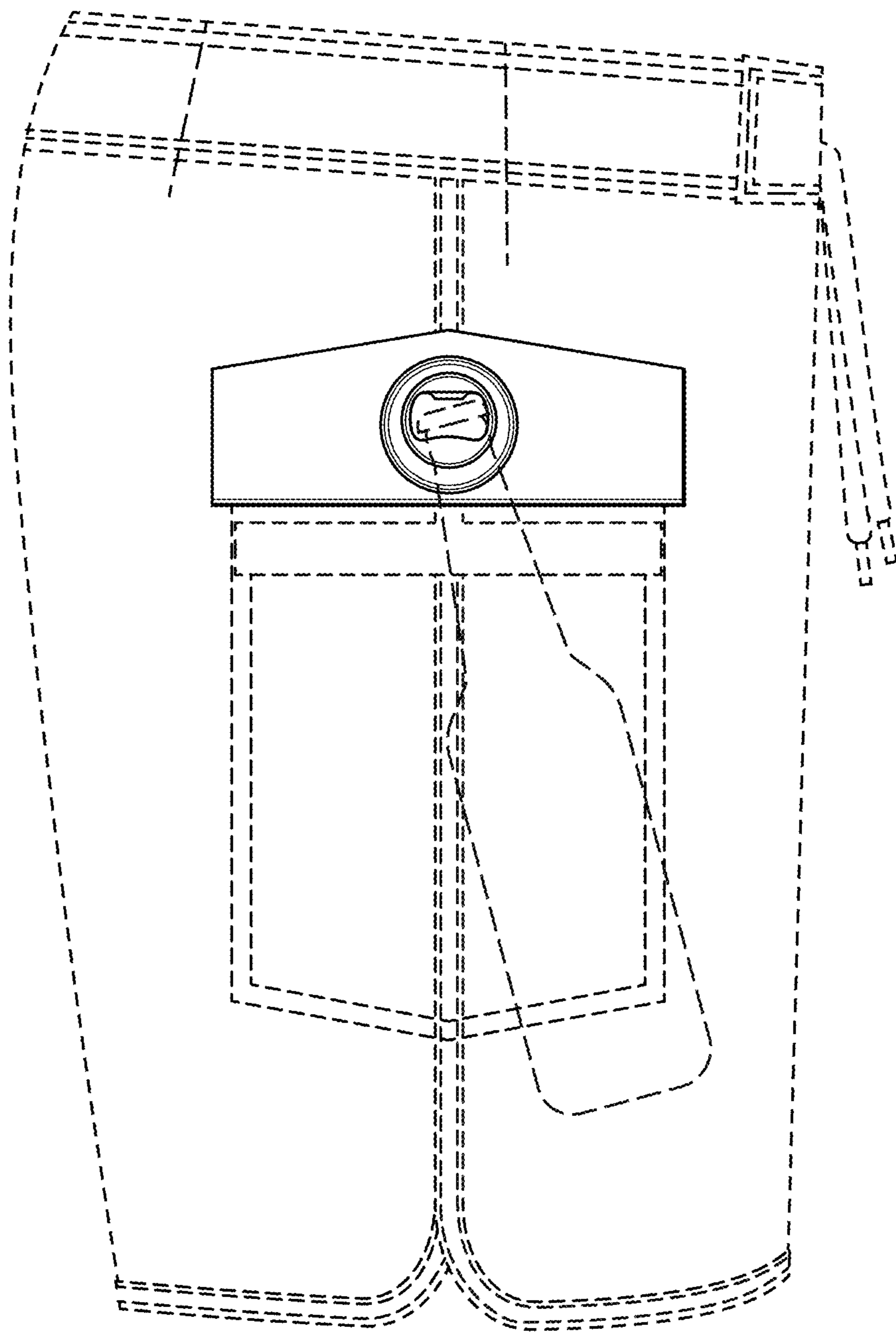


FIG. 2

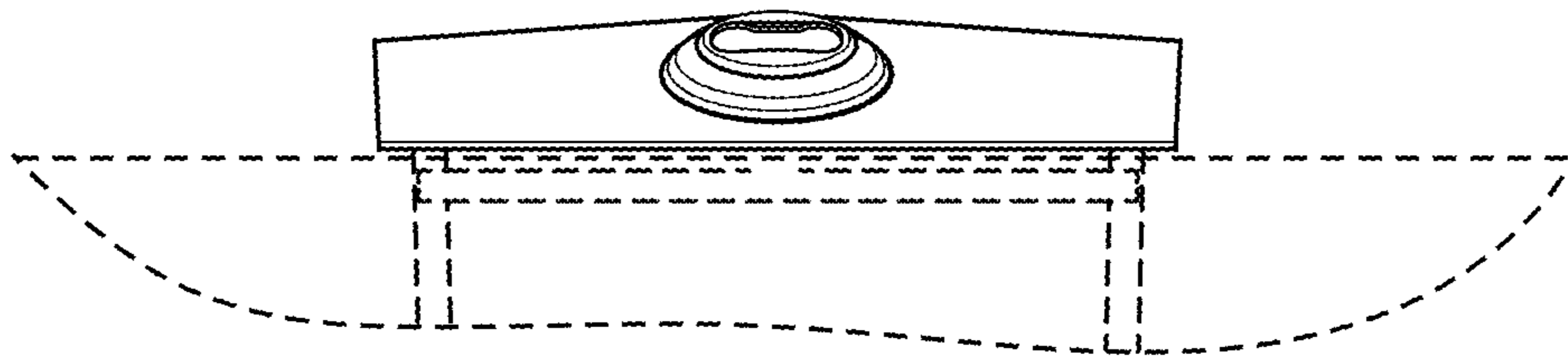


FIG. 3

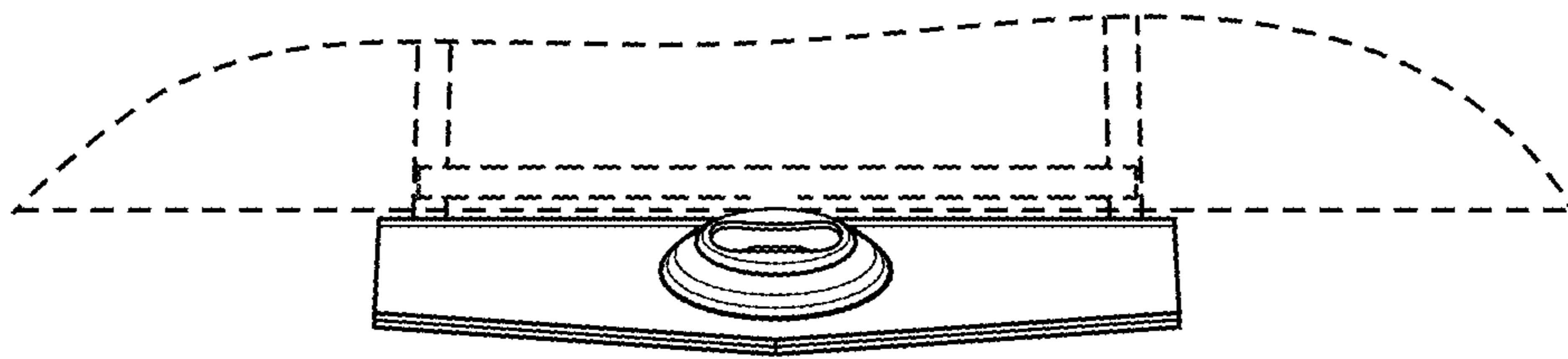


FIG. 4

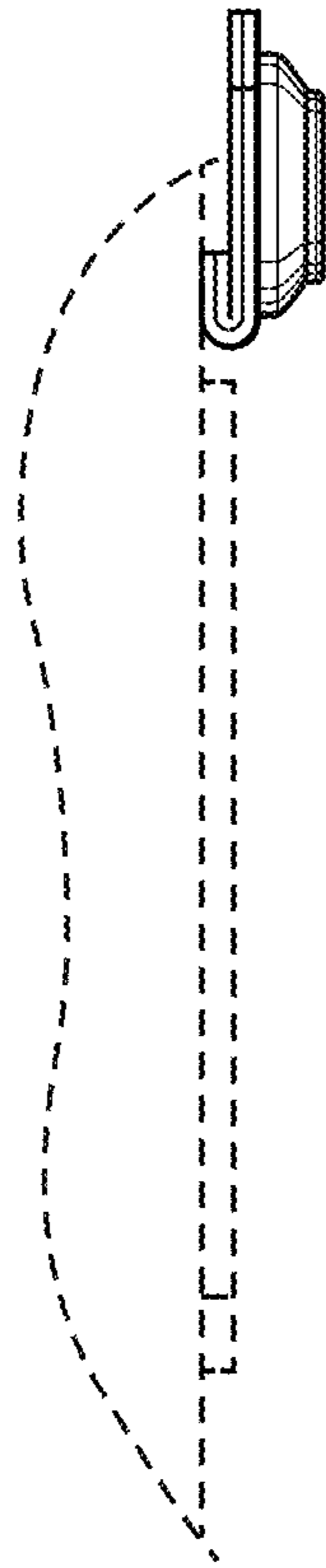


FIG. 5

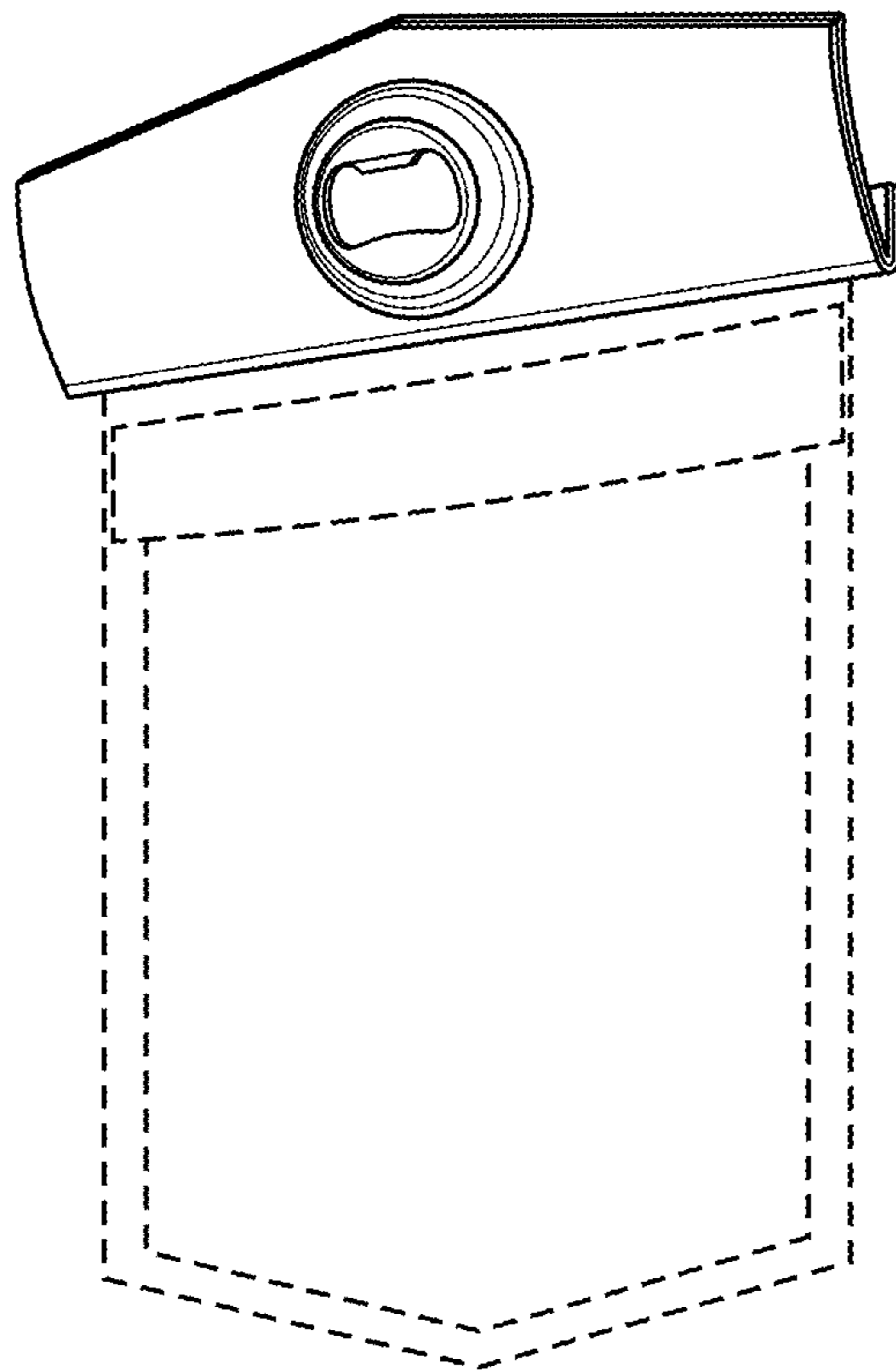


FIG. 6