



US00D822948S

(12) **United States Design Patent**  
**Miller**

(10) **Patent No.:** **US D822,948 S**  
(45) **Date of Patent:** **\*\* Jul. 17, 2018**

(54) **PANTS WITH SIDE ZIPPER ACCESS**

(71) Applicant: **Dorothea A. Miller**, Lauderhill, FL  
(US)

(72) Inventor: **Dorothea A. Miller**, Lauderhill, FL  
(US)

(\*\*) Term: **15 Years**

(21) Appl. No.: **29/550,662**

(22) Filed: **Jan. 6, 2016**

(51) **LOC (11) Cl.** ..... **02-02**

(52) **U.S. Cl.**  
USPC ..... **D2/742**

(58) **Field of Classification Search**  
USPC ..... D2/700, 701, 702, 705, 709, 715, 716,  
D2/717, 718, 720, 724, 728, 735, 736,  
D2/737, 741, 750, 755, 756, 759, 760,  
D2/761, 769, 771, 779, 786, 799, 800,  
D2/801, 802, 803, 814, 815, 823, 828,  
D2/840, 847, 851, 853, 855, 861, 852,  
D2/860, 742  
CPC .... A41D 1/06; A41D 13/129; A41D 13/1254;  
A41D 2300/32  
See application file for complete search history.

(56) **References Cited**

**U.S. PATENT DOCUMENTS**

- 3,246,342 A \* 4/1966 Pagano ..... A41D 1/06  
2/227
- 4,914,756 A \* 4/1990 Grassick ..... A41D 1/06  
2/227
- D344,620 S \* 3/1994 Lavell ..... D2/742
- D373,892 S \* 9/1996 Landwehr ..... D2/742
- D393,141 S \* 4/1998 Glycenfer ..... D2/728
- 5,815,845 A \* 10/1998 Ault ..... A45C 1/06  
150/134
- D536,157 S \* 2/2007 Kimmel ..... D2/742
- D580,629 S \* 11/2008 Adams ..... D2/742
- D610,329 S \* 2/2010 Prechel ..... D2/742
- D640,041 S \* 6/2011 Flora ..... D2/742

- D655,481 S \* 3/2012 Seguin ..... D2/857
  - D655,482 S \* 3/2012 Morales ..... D2/857
  - D664,737 S \* 8/2012 Slank ..... D2/742
- (Continued)

**OTHER PUBLICATIONS**

Adaptations by Adrian, www.adaptationsbyadrian.com, Aug. 24, 2002.

*Primary Examiner* — Caron D Veynar

*Assistant Examiner* — Katrina N Gonzalez

(74) *Attorney, Agent, or Firm* — Terry M. Sanks, Esq.;  
Beusse Wolter Sanks & Maire, PLLC

(57) **CLAIM**

The ornamental design for a pants with side zipper access, as shown and described.

**DESCRIPTION**

FIG. 1 is a perspective view of the pants with side zipper access.

FIG. 2 is a front view thereof.

FIG. 3 is a back view thereof.

FIG. 4 is a left side view thereof.

FIG. 5 is a right side view thereof.

FIG. 6 is a front view of the design of FIG. 1 with two upper placed zippers unzipped and two lower placed zippers unzipped to show the interior of the pant legs.

FIG. 7 is a front view thereof showing the two upper placed zippers unzipped down from the waist along the outer seam; one waist zipper is unzipped further down.

FIG. 8 is a back view of the design of FIG. 1 with the two upper placed zippers unzipped.

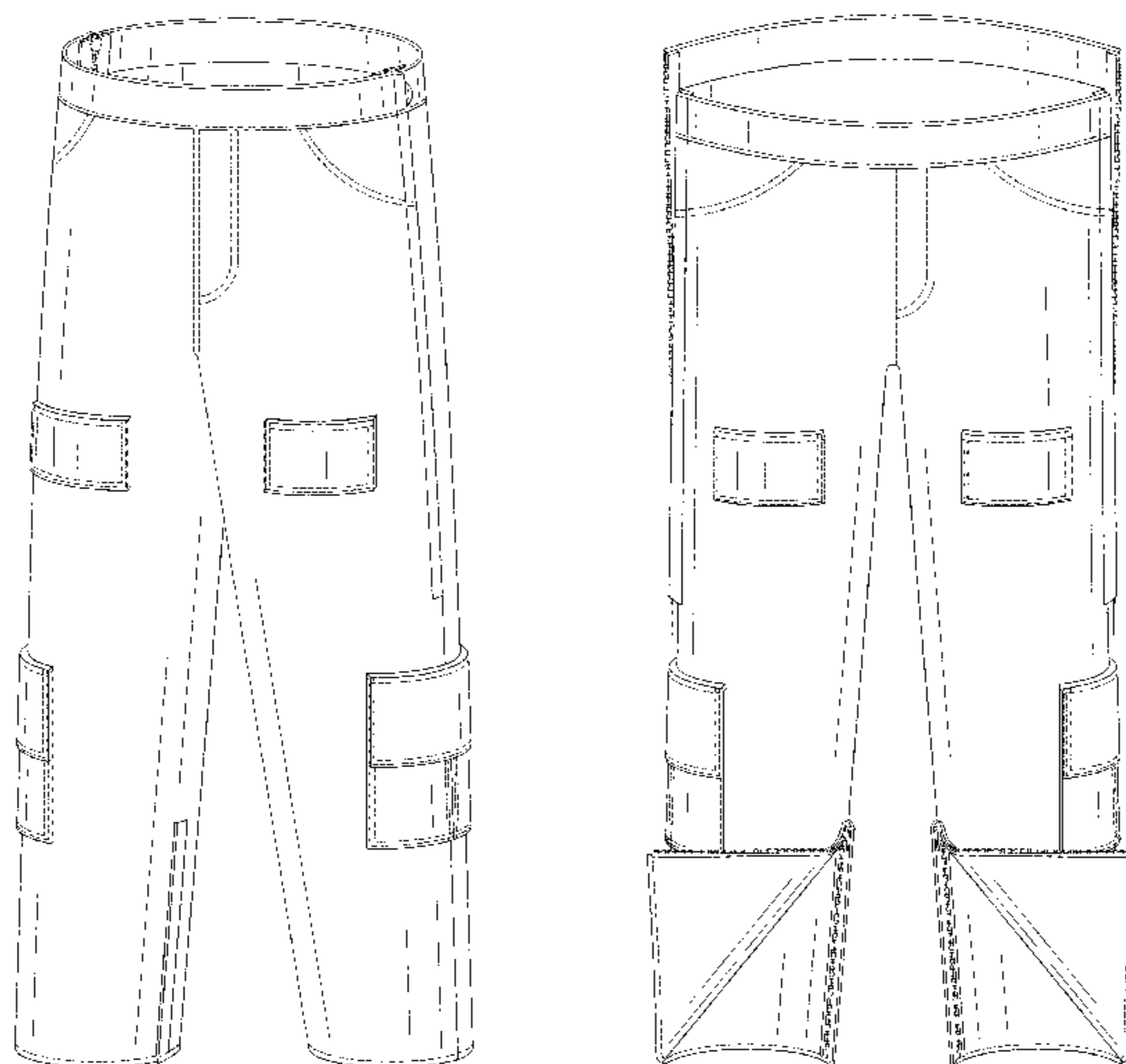
FIG. 9 is a left side view thereof.

FIG. 10 is a right side view thereof.

FIG. 11 is a cross-sectional view taken along and in the direction of line 11-11 of FIG. 2; and,

FIG. 12 is a cross-sectional view taken along and in the direction of line 12-12 of FIG. 2.

**1 Claim, 9 Drawing Sheets**



(56)

**References Cited**

U.S. PATENT DOCUMENTS

D665,559 S *	8/2012	Ridge .....	D2/742
D721,469 S *	1/2015	Dye .....	D2/742
D766,545 S *	9/2016	Grosbol .....	D2/742
D766,546 S *	9/2016	Grosbol .....	D2/742

\* cited by examiner

FIG. 1

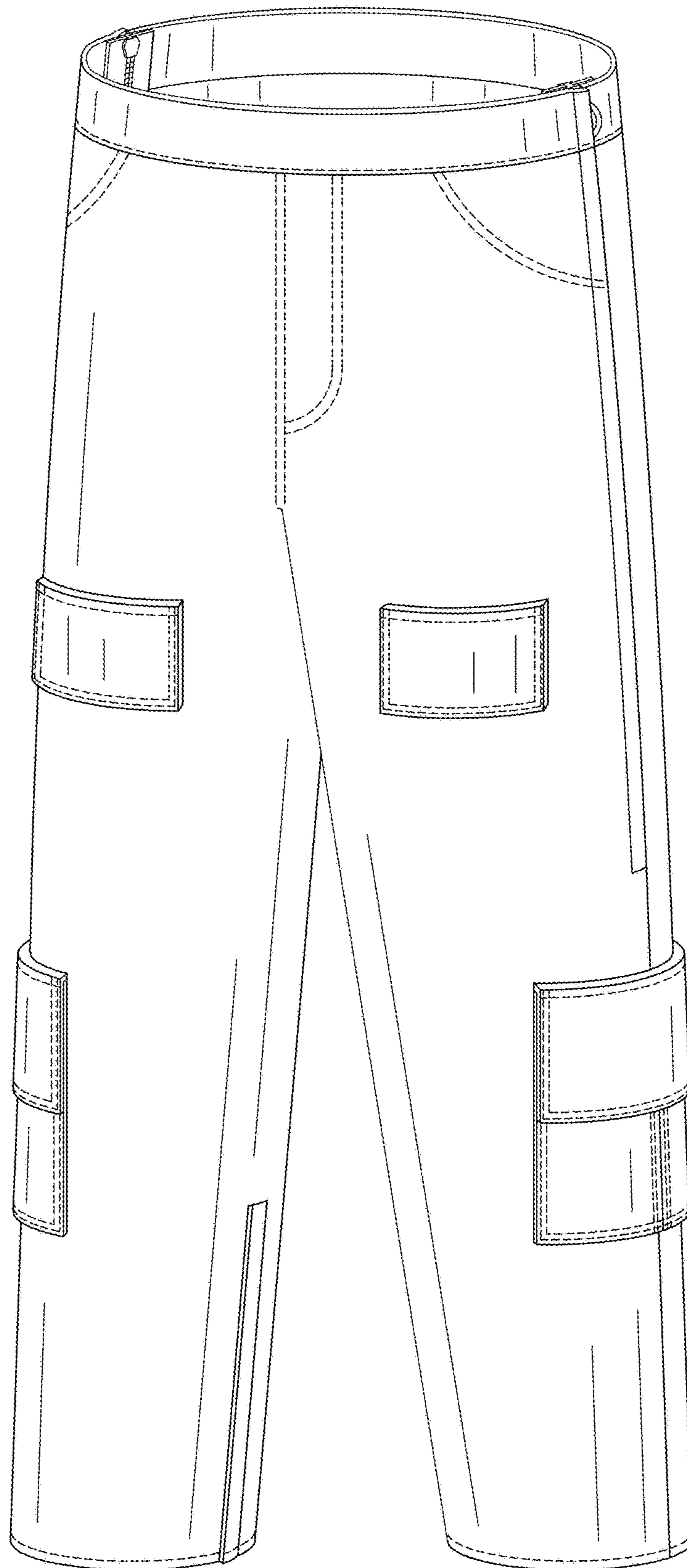


FIG. 2

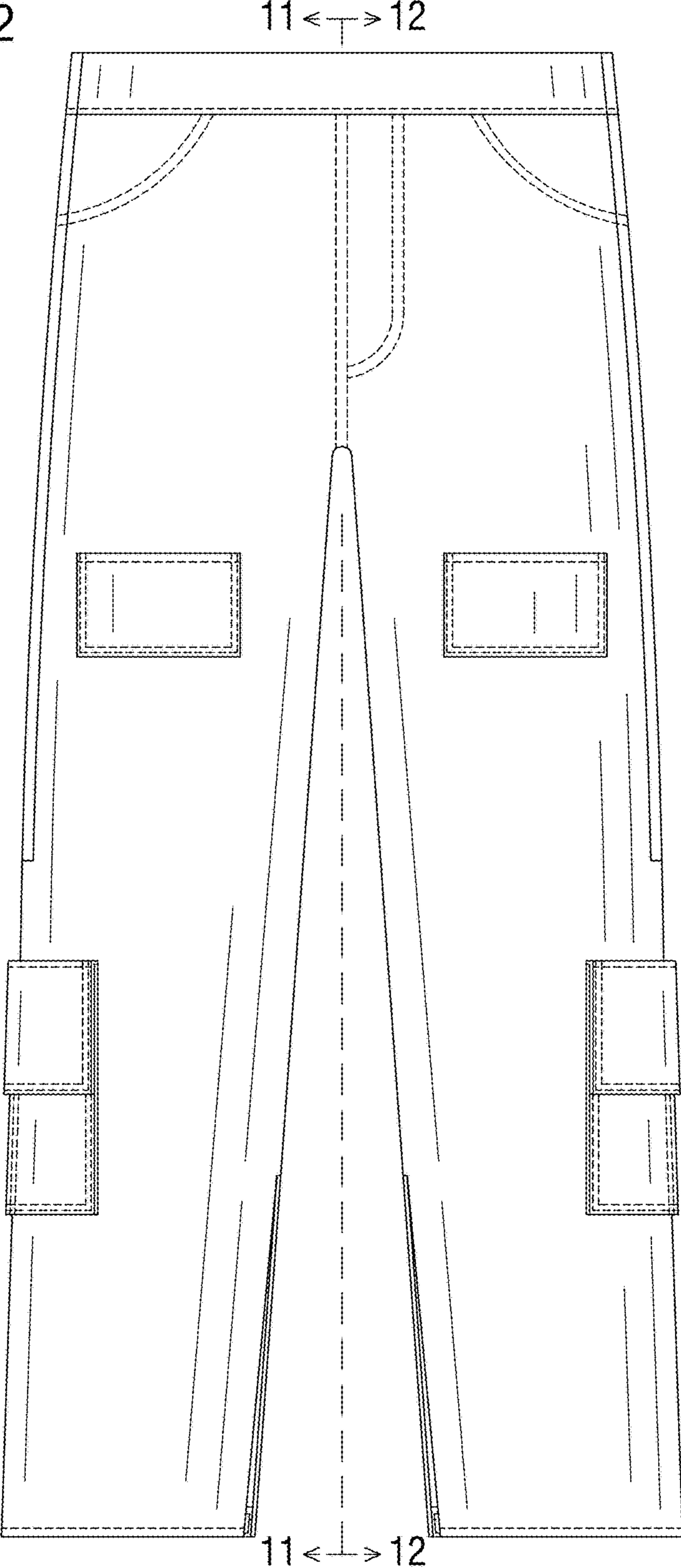


FIG. 3

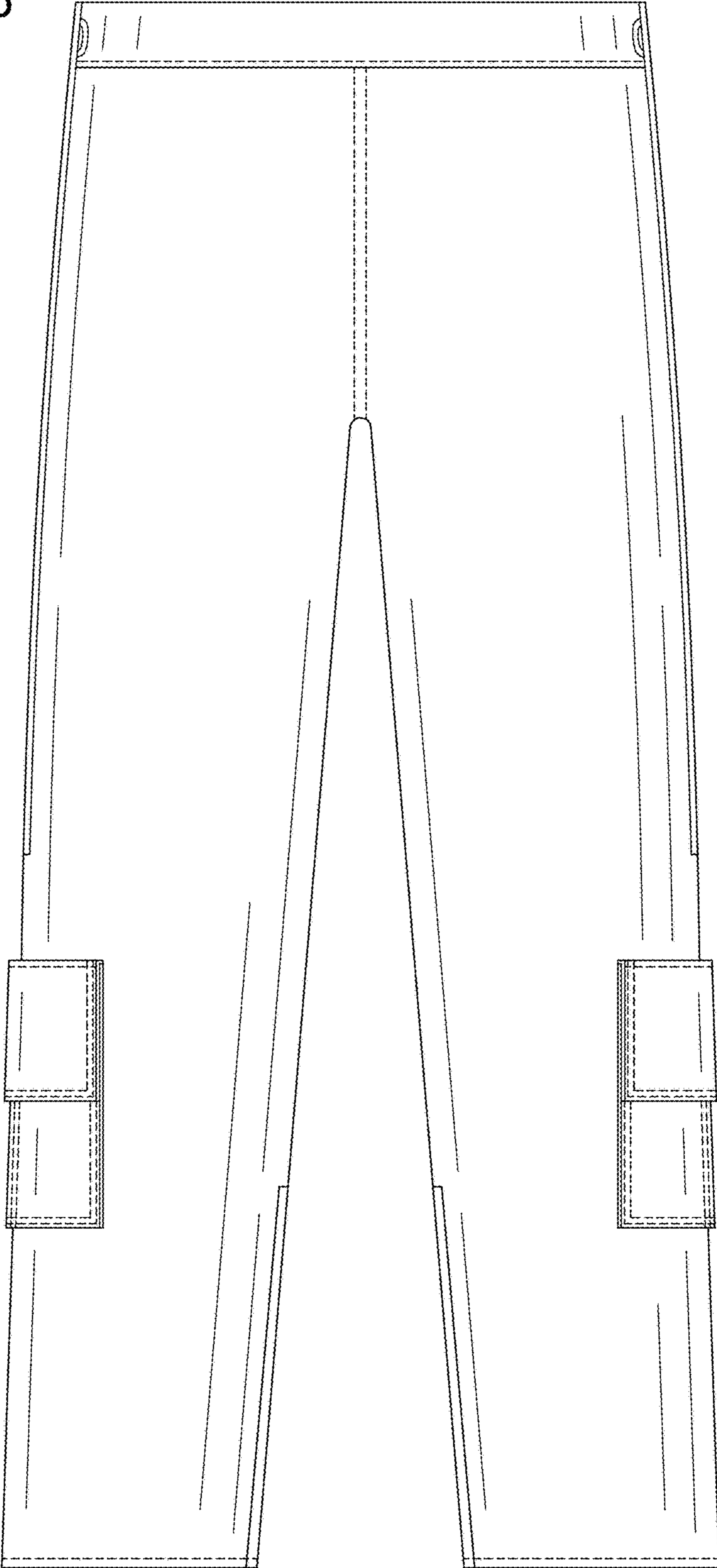


FIG. 4

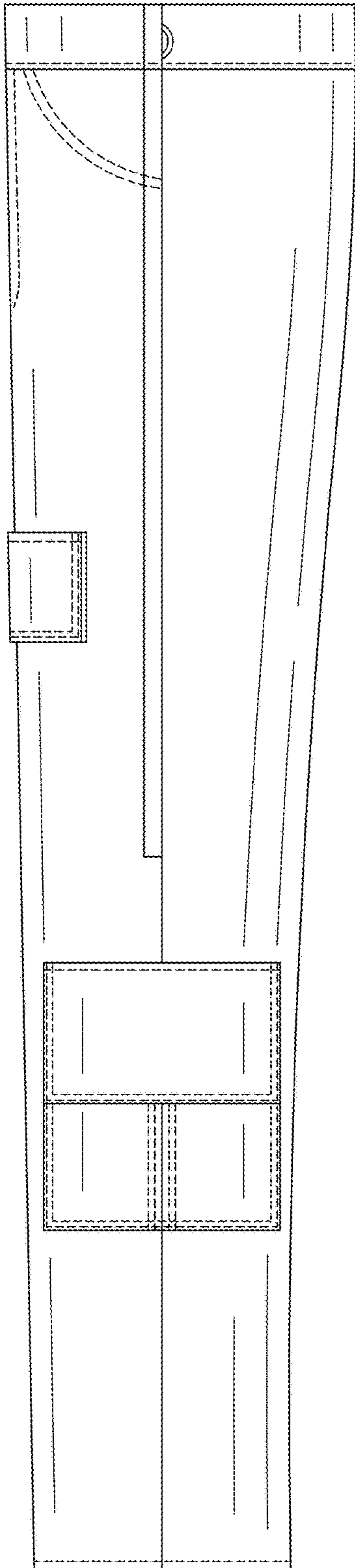


FIG. 5

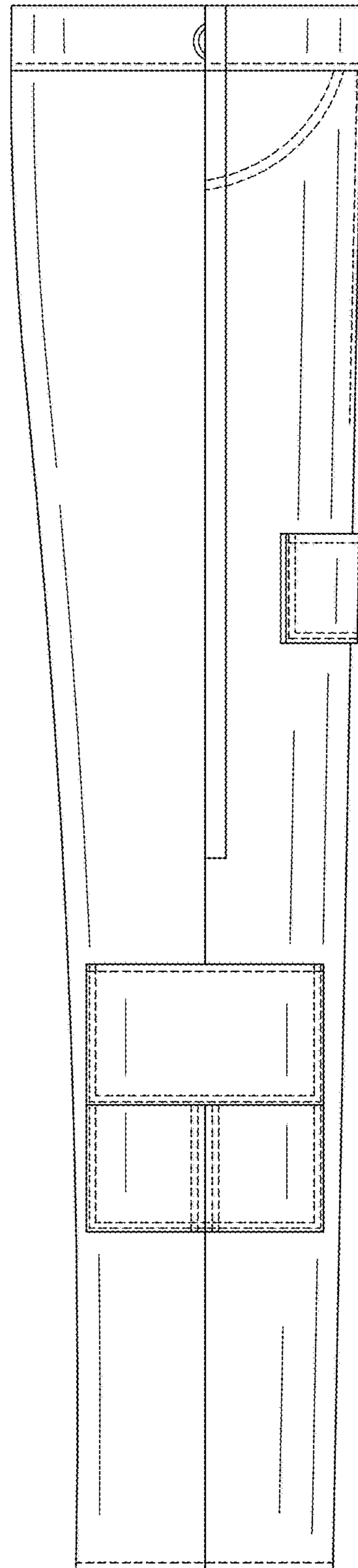


FIG. 6

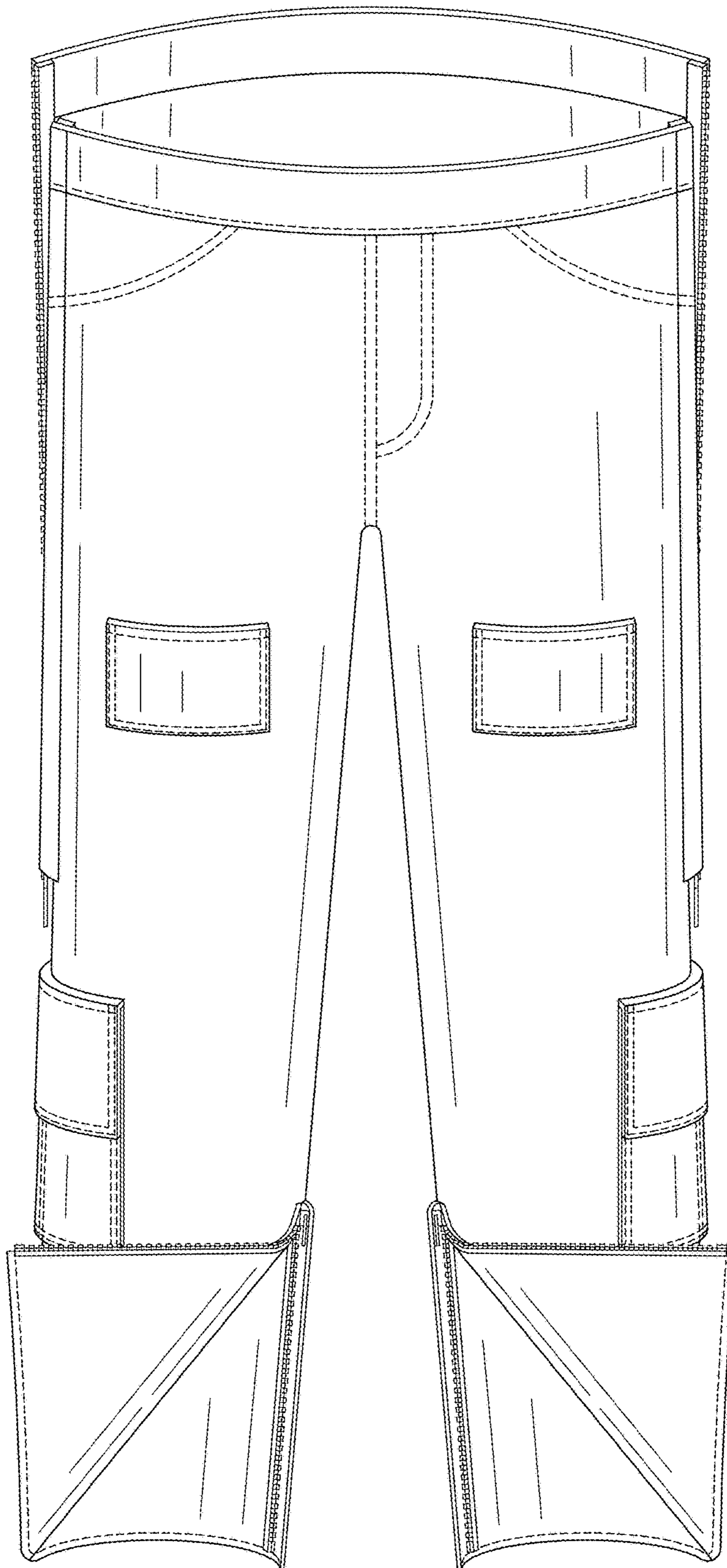


FIG. 7

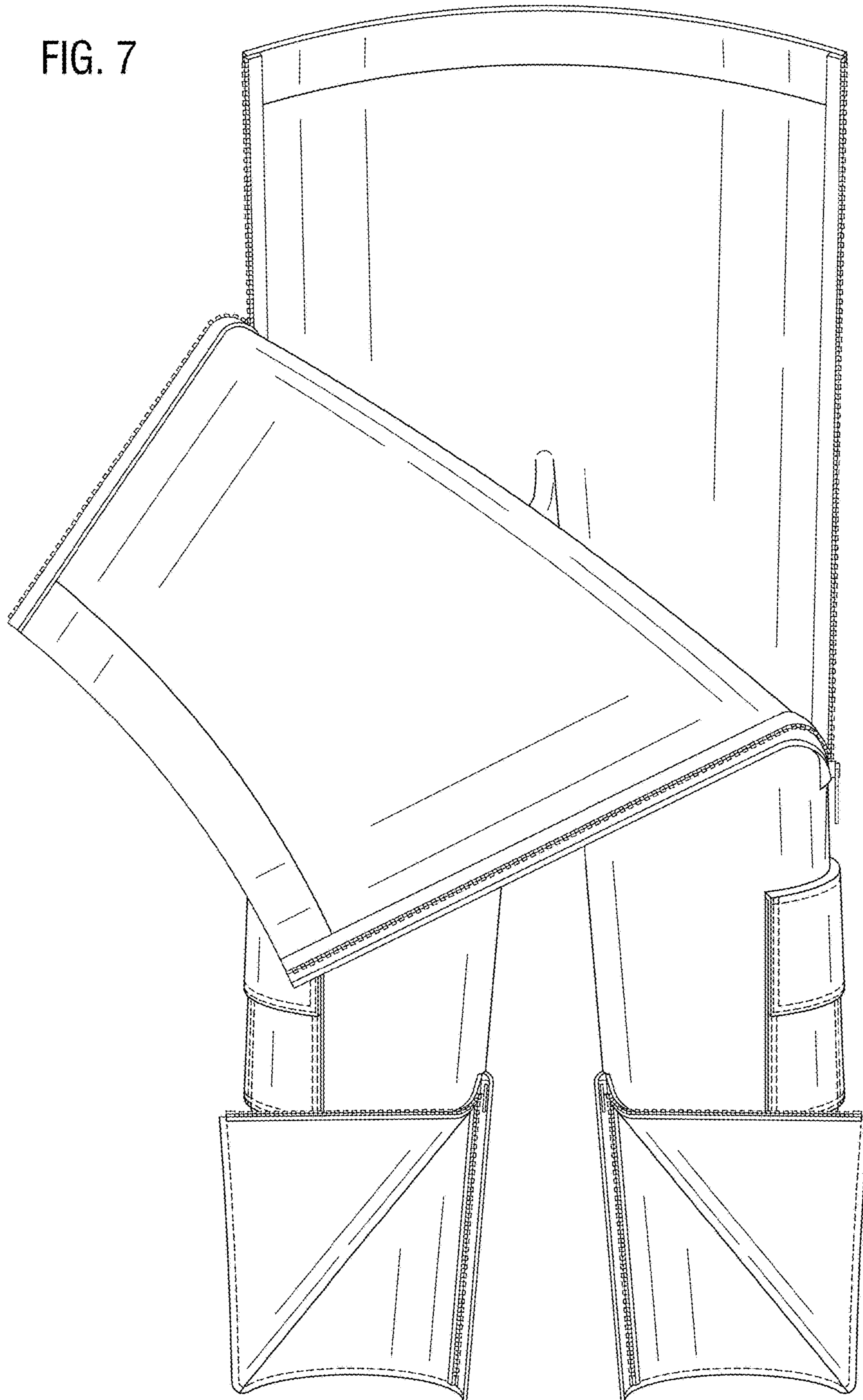




FIG. 8

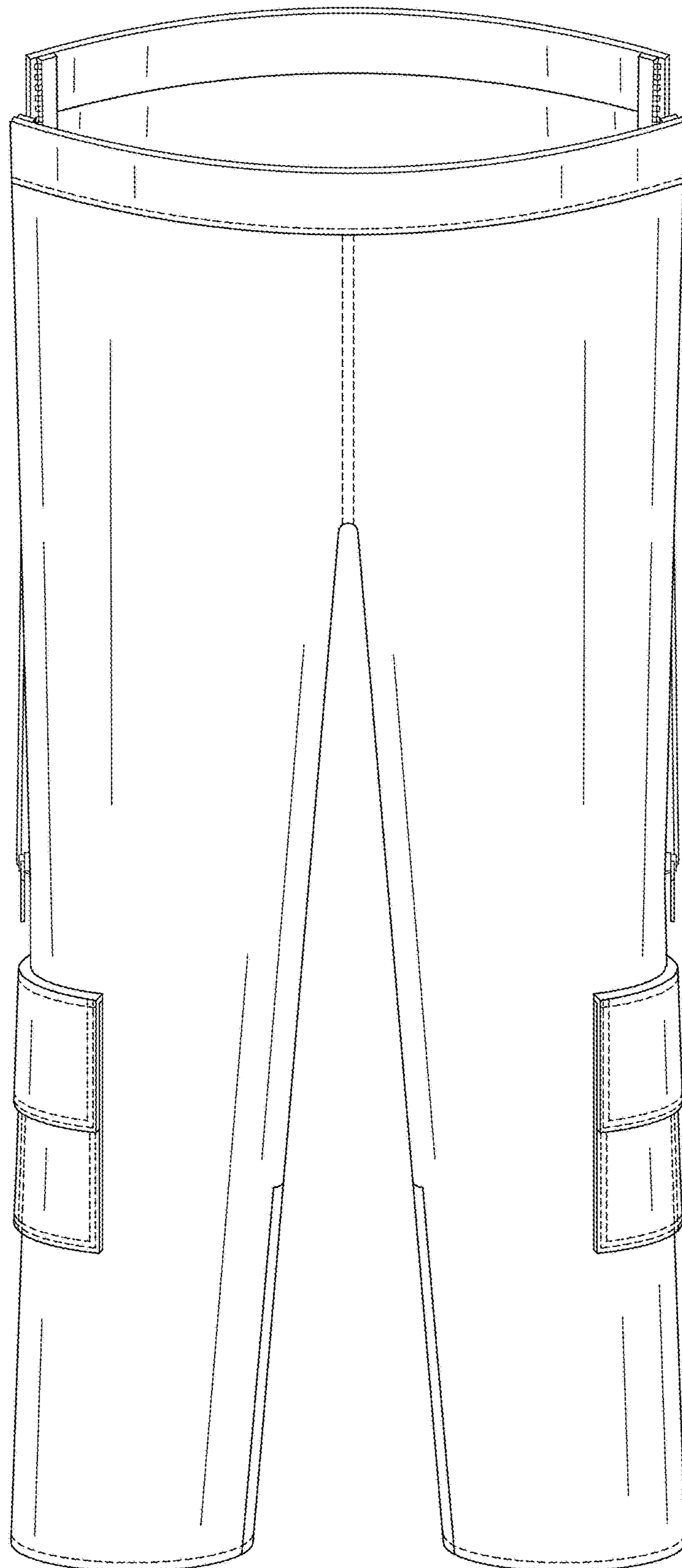


FIG. 9

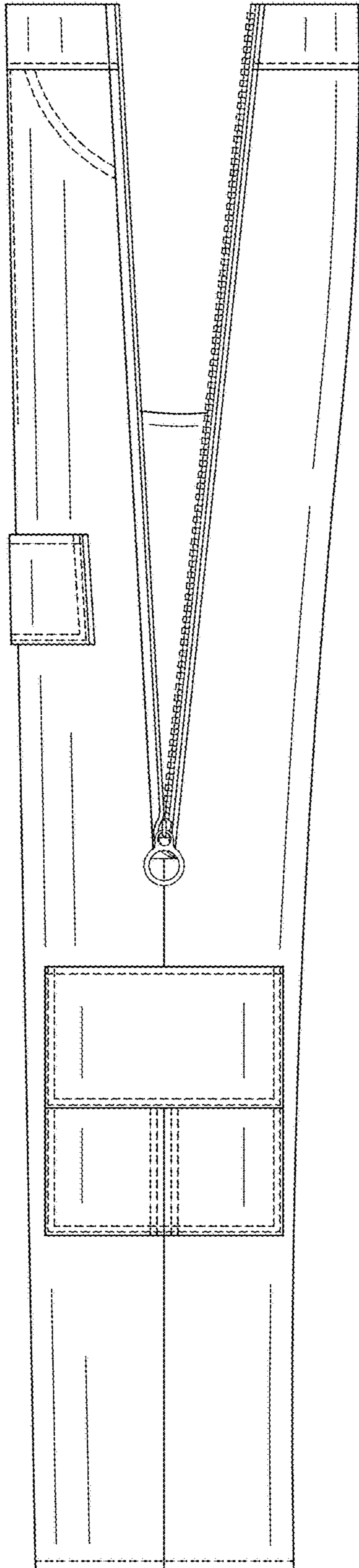


FIG. 10

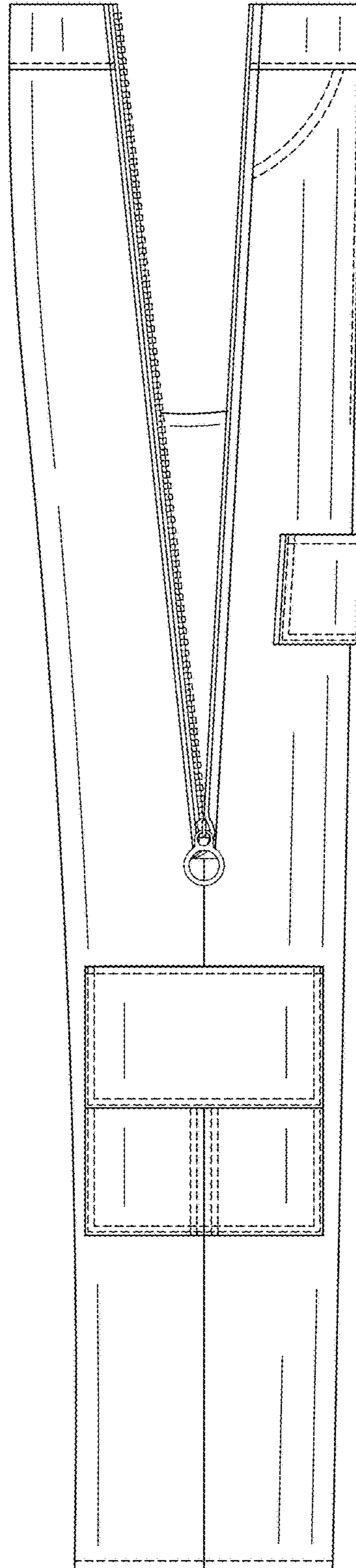


FIG. 11

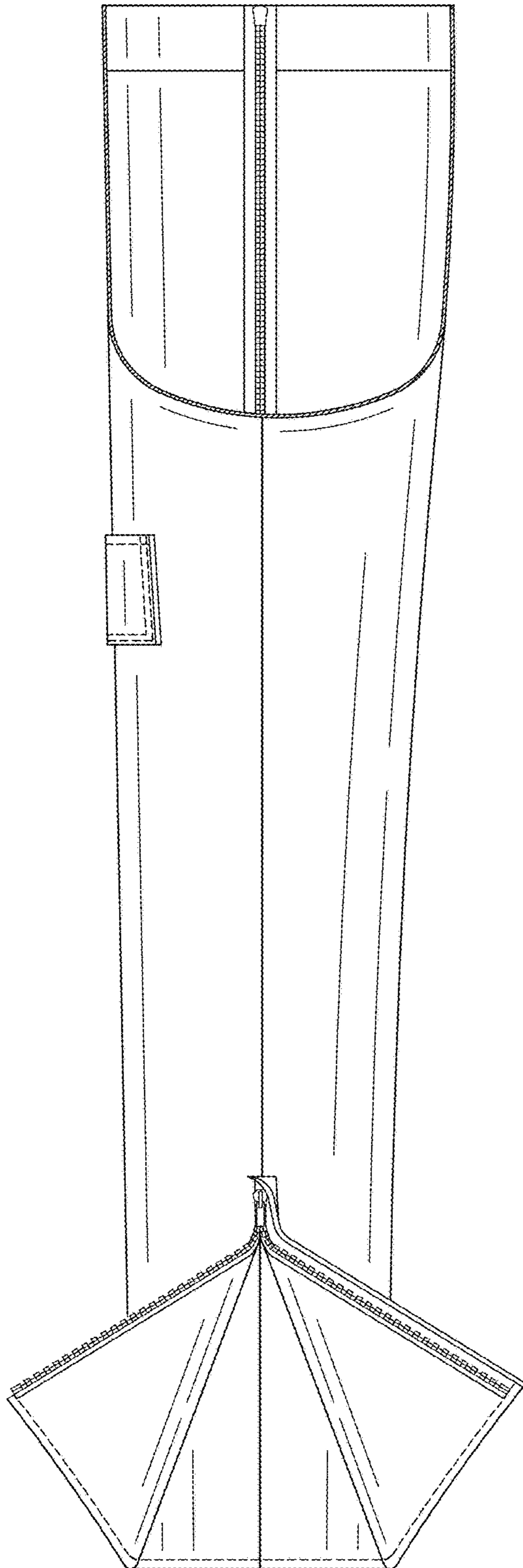


FIG. 12

