



US00D822944S

(12) **United States Design Patent** (10) **Patent No.:** **US D822,944 S**  
**Roos** (45) **Date of Patent:** **\*\* Jul. 17, 2018**

(54) **GLOVE**  
(71) Applicant: **I PEE HOLDING, LLC**, Vernon Hills, IL (US)  
(72) Inventor: **Christian Brayian Roos**, Quito (EC)  
(73) Assignee: **I PEE HOLDING, LLC**, Vernon Hills, IL (US)  
(\*\*) Term: **15 Years**  
(21) Appl. No.: **29/601,548**  
(22) Filed: **Apr. 24, 2017**  
(51) **LOC (11) Cl.** ..... **02-06**  
(52) **U.S. Cl.**  
USPC ..... **D2/617**  
(58) **Field of Classification Search**  
USPC ..... D2/617, 618, 620, 621, 623; D29/113, D29/116.2, 117.1, 117.2  
CPC ..... A41D 19/0065; A41D 19/01558; A41D 19/02; A41D 13/01; A41D 19/0017; A41D 19/01505; A41D 19/0157; A41D 31/0088; D04B 1/28; F41H 1/00  
See application file for complete search history.

(56) **References Cited**  
**U.S. PATENT DOCUMENTS**  
D294,176 S \* 2/1988 Tyo ..... D24/190  
D488,284 S \* 4/2004 Kavana ..... D2/614  
D787,515 S \* 5/2017 Friedman ..... D14/388  
2017/0042704 A1\* 2/2017 Ryu ..... A61F 2/583

**OTHER PUBLICATIONS**  
Control VR Virtuality Reality Gloves, posted at mikeshout.com, posting date Mar. 8, 2015, [online], [site visited May 24, 2018].

Available from Internet, URL: <https://mikeshout.com/control-vr-virtuality-reality-gloves/> (Year: 2015).\*  
Cyber Gloves, posted at indiamart.com, posting date not given, [online], [site visited May 24, 2018]. Available from Internet, URL: <https://www.indiamart.com/proddetail/cyber-gloves-virtual-reality-software-9822857091.html> (Year: 2018).\*  
Dexmo VR Gloves, posted at onlinemag.com, posting date Mar. 11, 2018, [online], [site visited May 24, 2018]. Available from Internet, URL: <http://www.onlinemag.com/dexmo-vr-gloves-dexta-robotics/> (Year: 2018).\*  
Essential Reality P5 Gaming Glove, posted at amazon.com, posting date Apr. 28, 2012, [online], [site visited May 24, 2018]. Available from Internet, URL: <https://www.amazon.ca/Essential-Reality-P5-Gaming-Glove/dp/B00007JNFE> (Year: 2012).\*

(Continued)

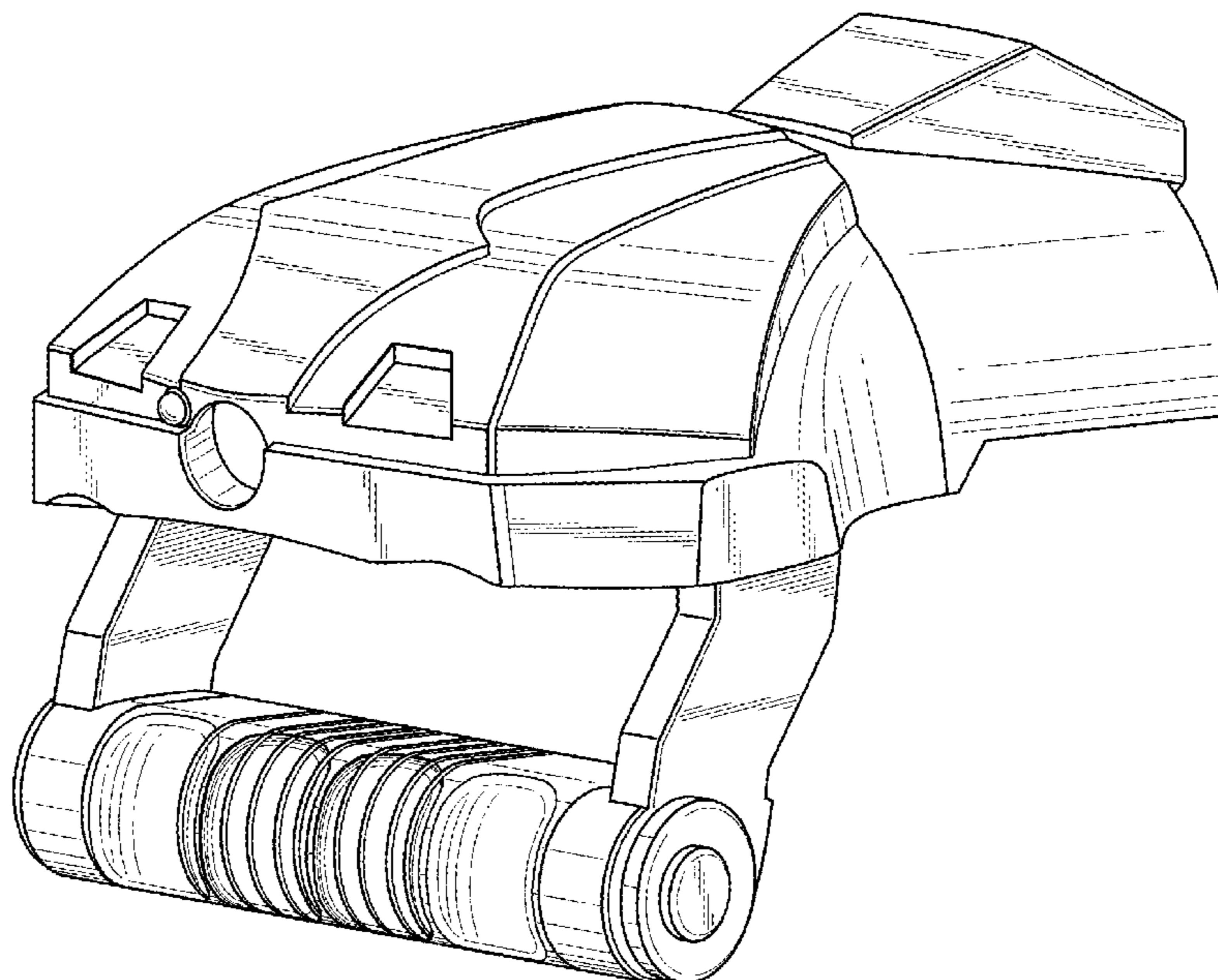
*Primary Examiner* — George D. Kirschbaum  
*Assistant Examiner* — Maria J Edwards  
(74) *Attorney, Agent, or Firm* — Levenfeld Pearlstein, LLC

(57) **CLAIM**  
The ornamental design for a glove, as shown and described.

**DESCRIPTION**

FIG. 1 is a front, top perspective view of a glove embodying my new design;  
FIG. 2 is a top view thereof;  
FIG. 3 is a front view thereof;  
FIG. 4 is a side view thereof as seen from the right-hand side of FIG. 3;  
FIG. 5 is a rear view thereof;  
FIG. 6 is a side view thereof as seen from the left-hand side of FIG. 3; and,  
FIG. 7 is a bottom view thereof.

**1 Claim, 5 Drawing Sheets**



(56)

**References Cited**

OTHER PUBLICATIONS

EXOS Haptic VR Exoskeleton Glove, posted at 360techph.wordpress.com, posting date Feb. 4, 2017, [online], [site visited May 24, 2018], Available from Internet, URL: <https://360techph.wordpress.com/2017/02/04/a-simpler-vr-haptic-glove/> (Year: 2017).\*

Hapto, posted at hapto.me, posting date not given, [online], [site visited May 24, 2018], Available from Internet, URL: <http://hapto.me/> (Year: 2018).\*

Iron Man AR glove, posted at hypekids.com, posting date Feb. 12, 2018, [online], [site visited May 24, 2018]. Available from Internet, URL: <https://hypekids.com/2018/2/iron-man-augmented-reality-mask-set> (Year: 2018).\*

\* cited by examiner

Fig. 1

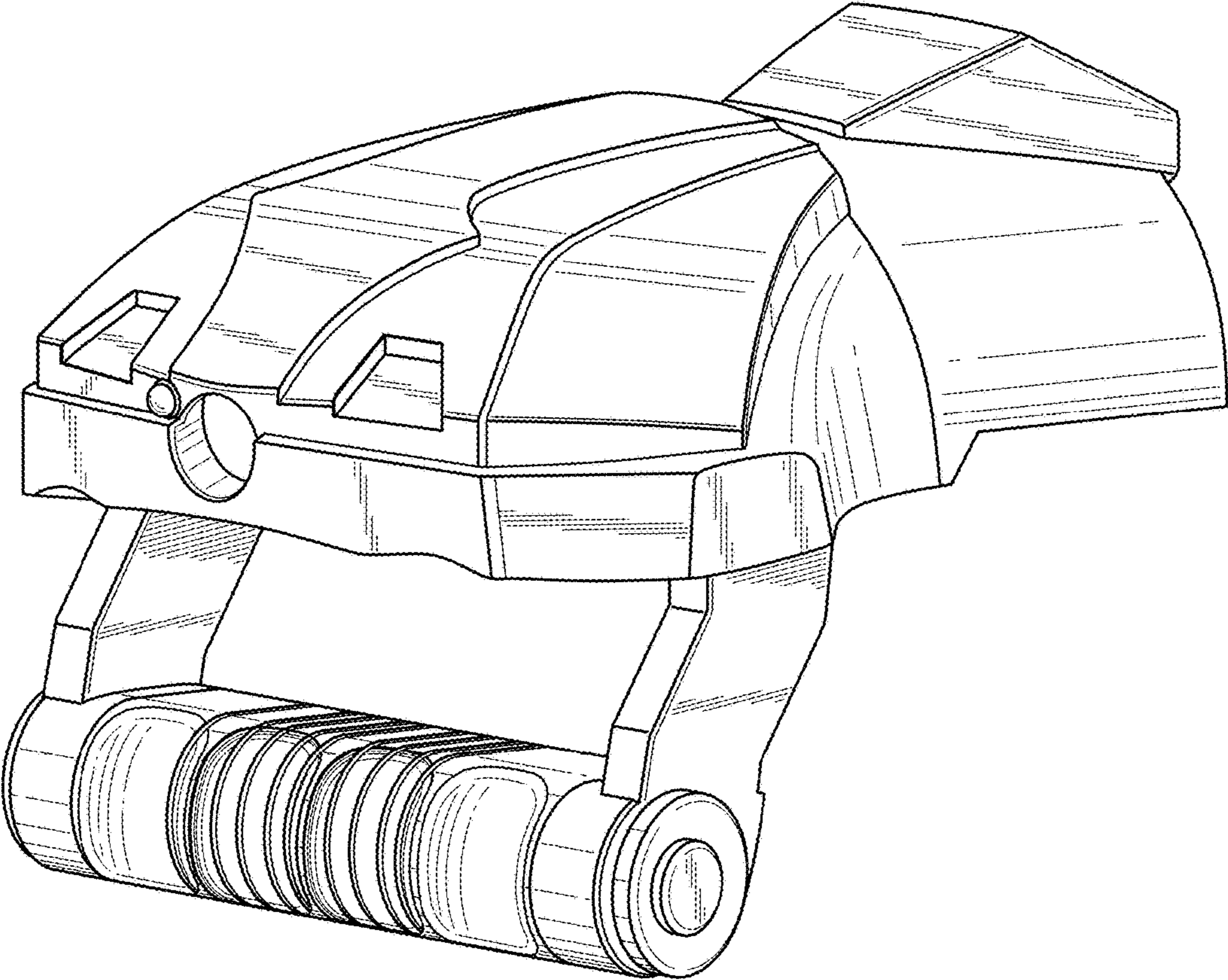
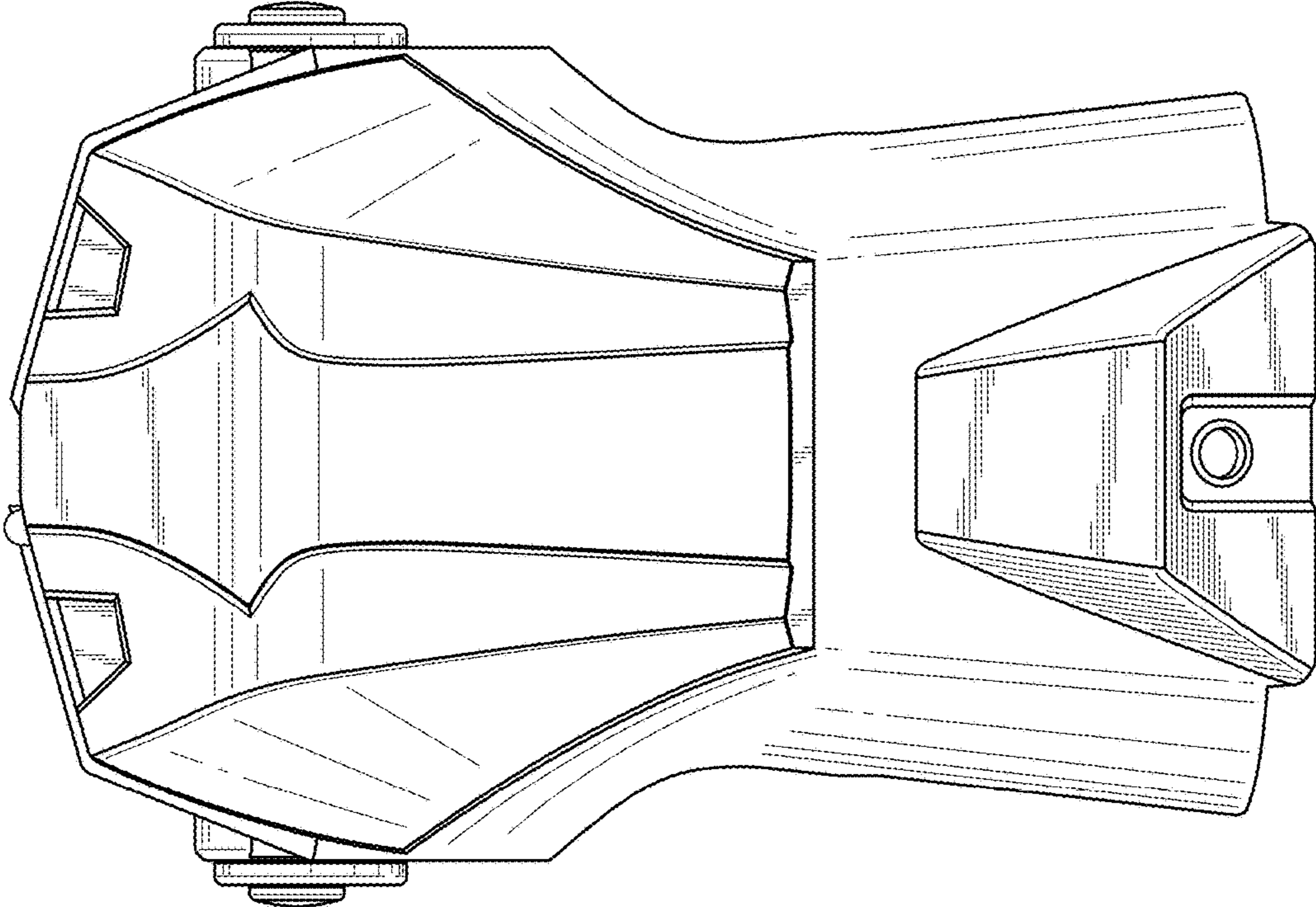
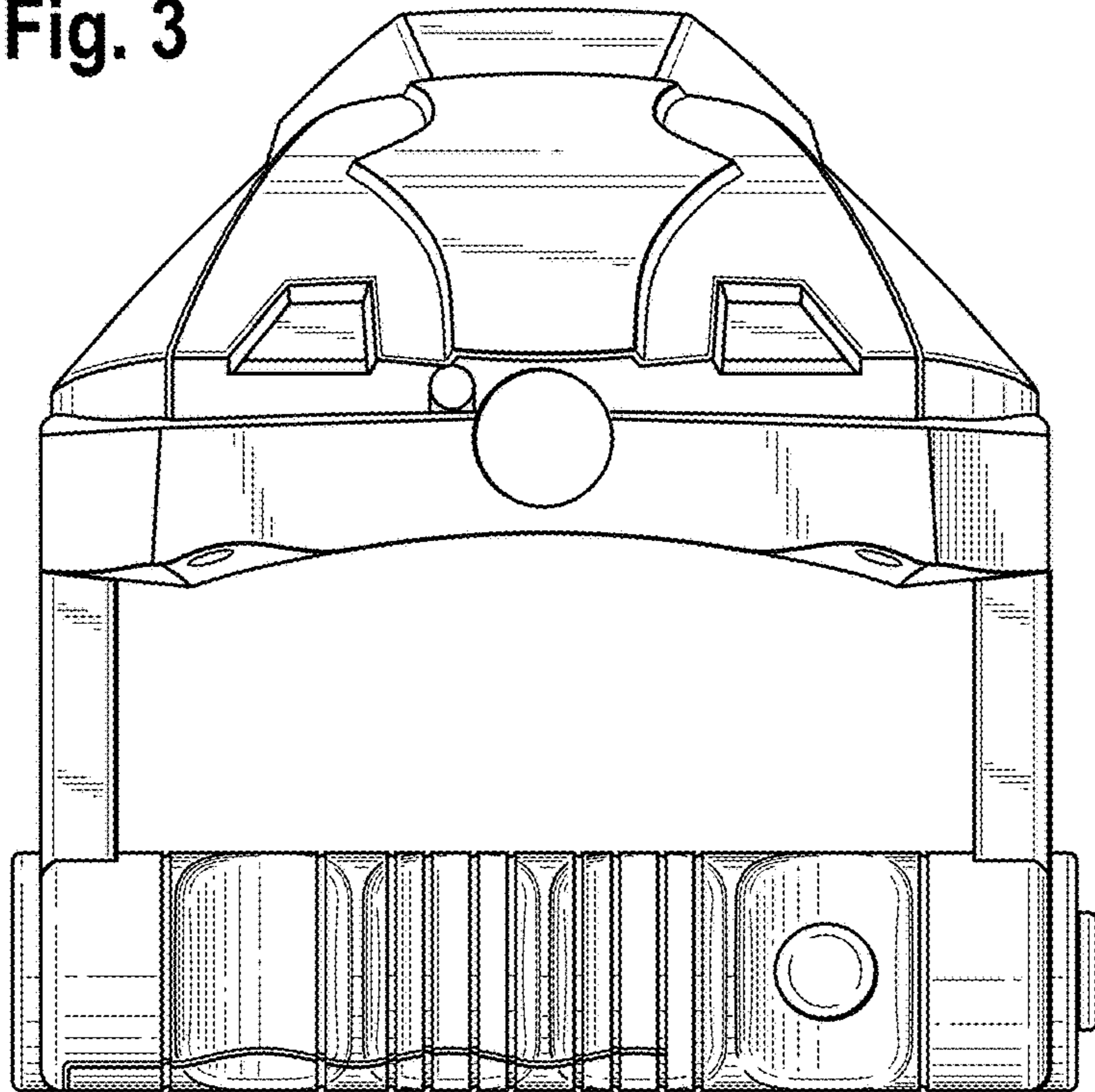


Fig. 2





**Fig. 3**



**Fig. 4**

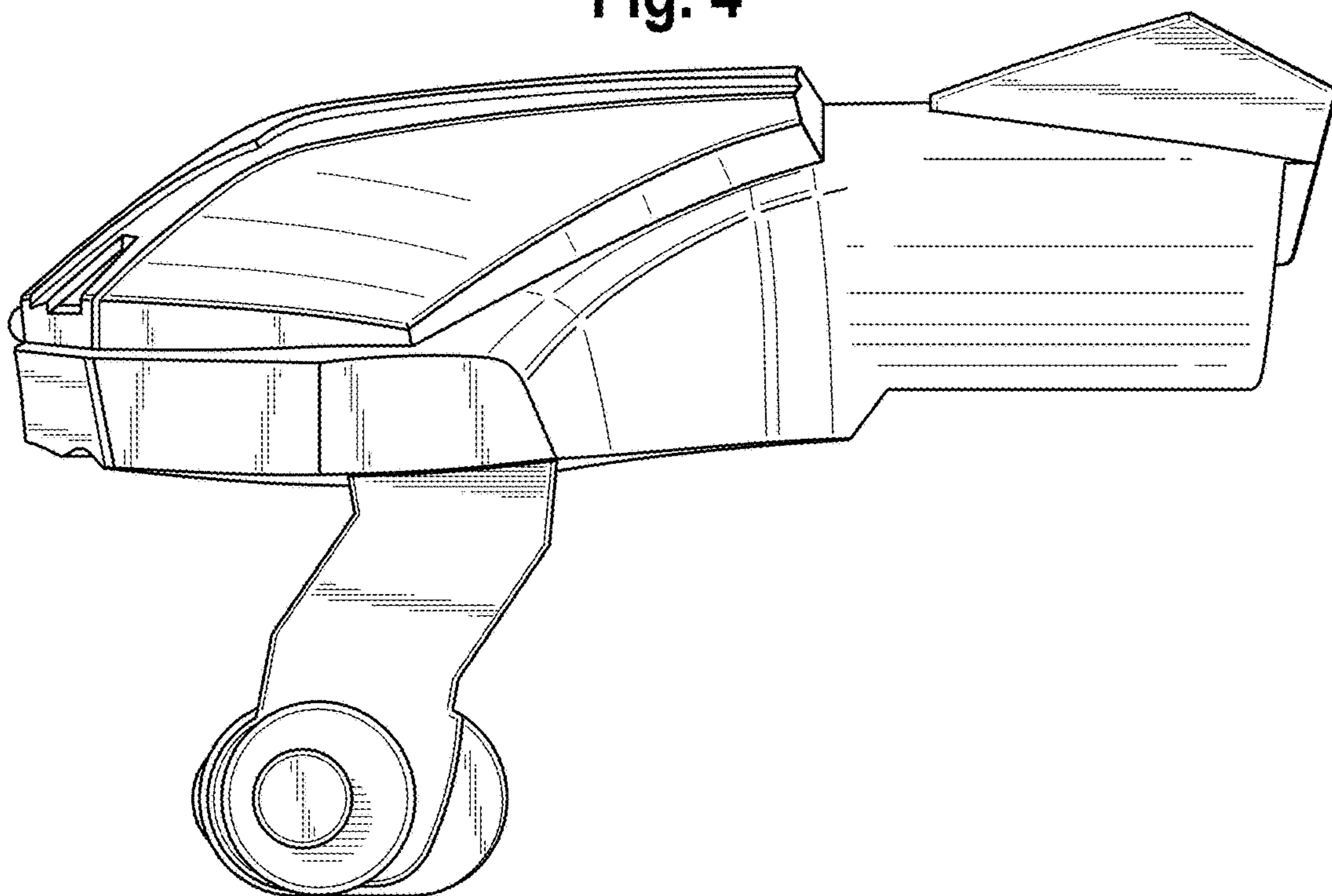


Fig. 5

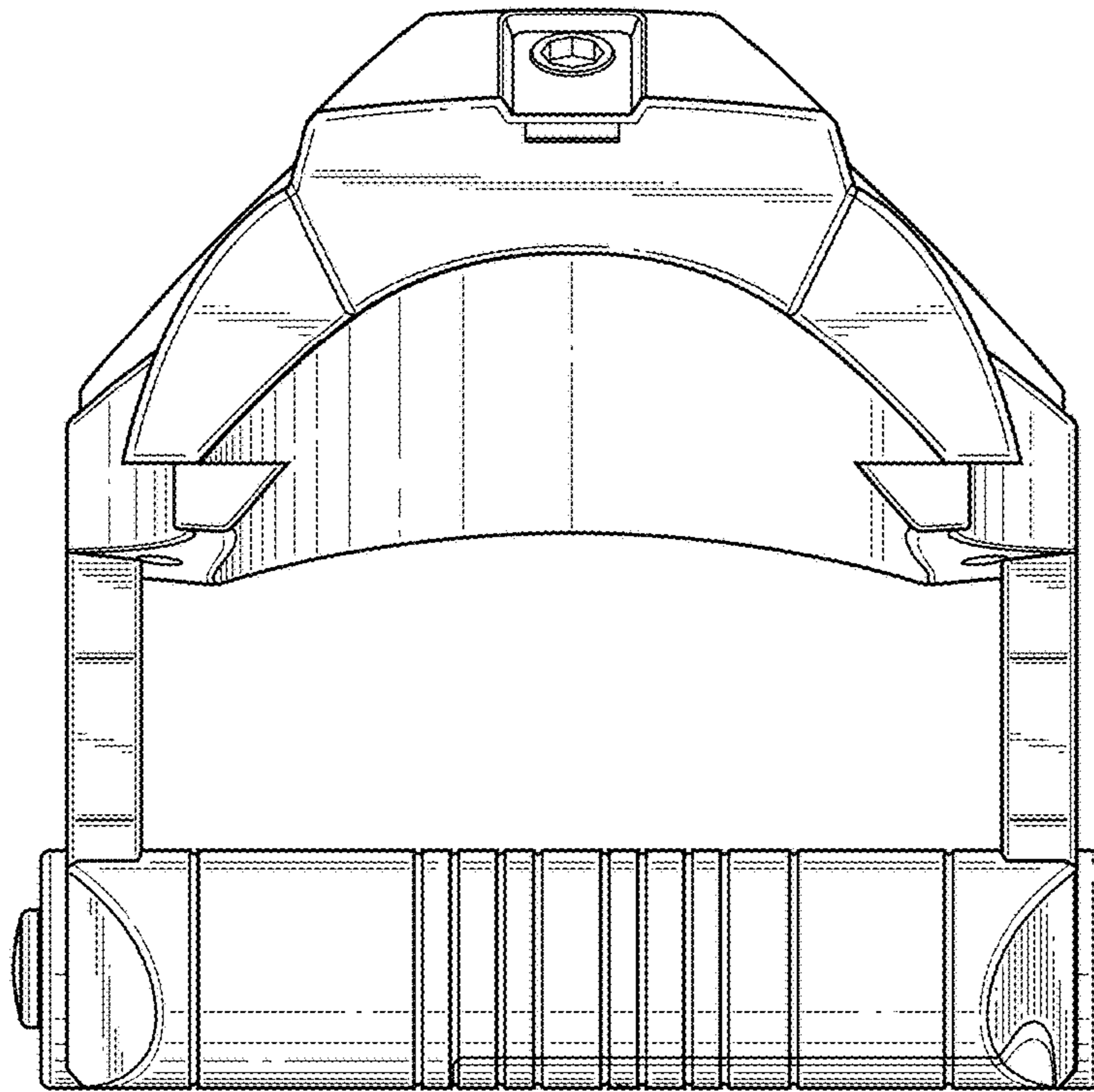


Fig. 6

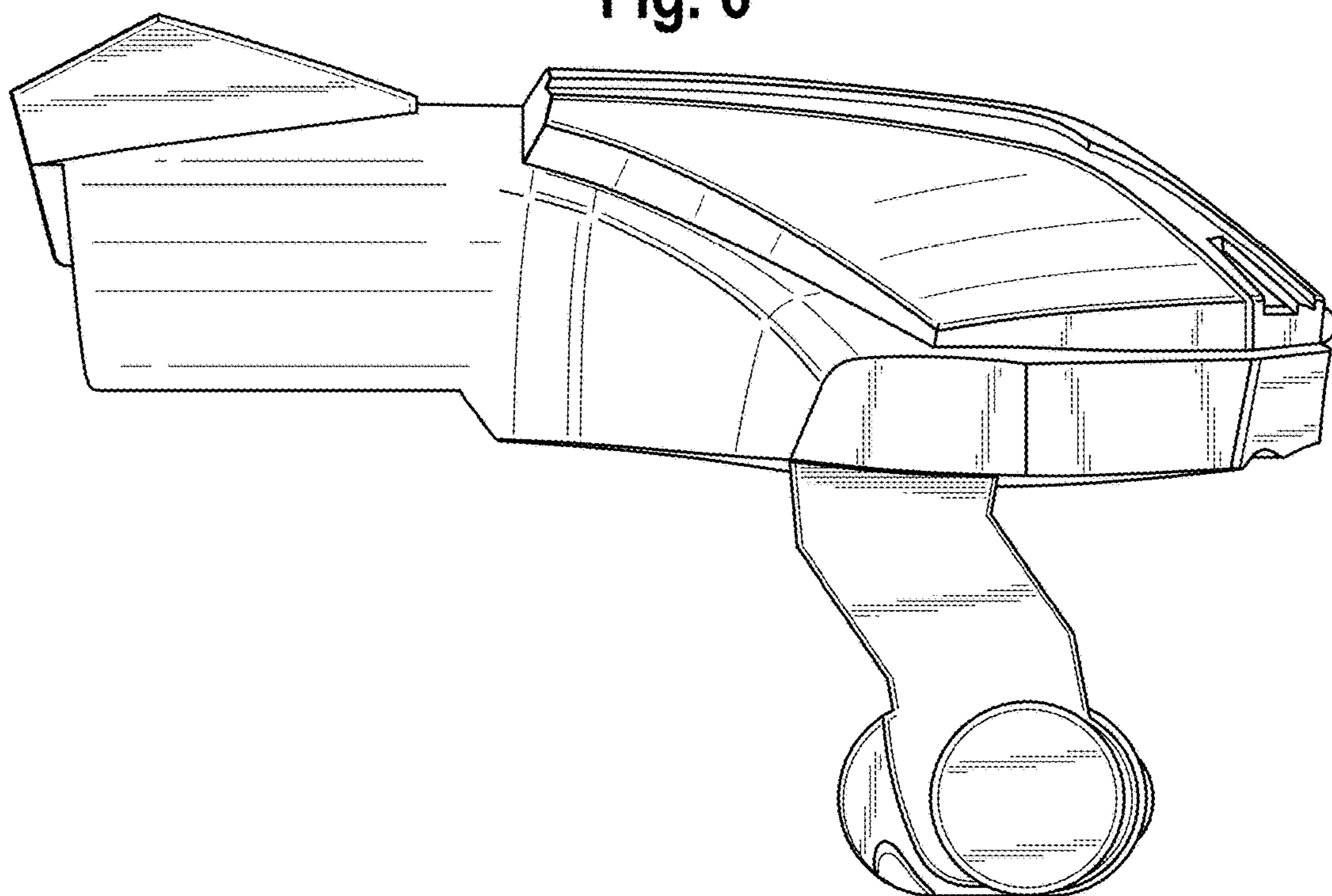


Fig. 7

