



US00D822943S

(12) **United States Design Patent** (10) **Patent No.:** **US D822,943 S**
Falcone (45) **Date of Patent:** **** Jul. 17, 2018**

(54) **FOOD PRODUCT**
(71) Applicant: **Mars, Incorporated**, McLean, VA (US)
(72) Inventor: **Vincent Joseph Falcone**, Inverness, IL (US)
(73) Assignee: **Mars, Incorporated**, McLean, VA (US)
(**) Term: **15 Years**

D320,495 S 10/1991 Pallesen
5,240,720 A 8/1993 Axelrod
D338,993 S 9/1993 Lilly
5,553,570 A 9/1996 Vannatter et al.
D383,782 S 9/1997 Decker
5,832,877 A 11/1998 Markham
6,116,191 A 9/2000 Suchowski et al.
6,168,822 B1 1/2001 Reicks et al.
D460,601 S 7/2002 Tenzer
D469,238 S * 1/2003 Bedi D1/121
D481,867 S * 11/2003 Hotz D3/271.2
(Continued)

(21) Appl. No.: **29/569,843**
(22) Filed: **Jun. 30, 2016**
(51) **LOC (11) Cl.** **01-01**
(52) **U.S. Cl.**
USPC **D1/199**
(58) **Field of Classification Search**
USPC D1/100-130, 199; 426/5, 76, 87, 92, 94,
426/95, 99, 101, 103, 108, 138-139, 143,
426/144, 279, 282, 283, 391, 514, 549,
426/660; D13/100; D24/101-104;
D28/8.1; 424/467; 425/195; 34/296;
D6/601; D9/453
CPC .. A61K 9/2072; A61K 9/0004; A61K 9/2095;
A61K 9/209
See application file for complete search history.

OTHER PUBLICATIONS

PetCare Advertisement, IAMS Tartar Treats, Mar. 2006.
Primary Examiner — Katie Jane Stofko
(74) *Attorney, Agent, or Firm* — Greenberg Traurig, LLP

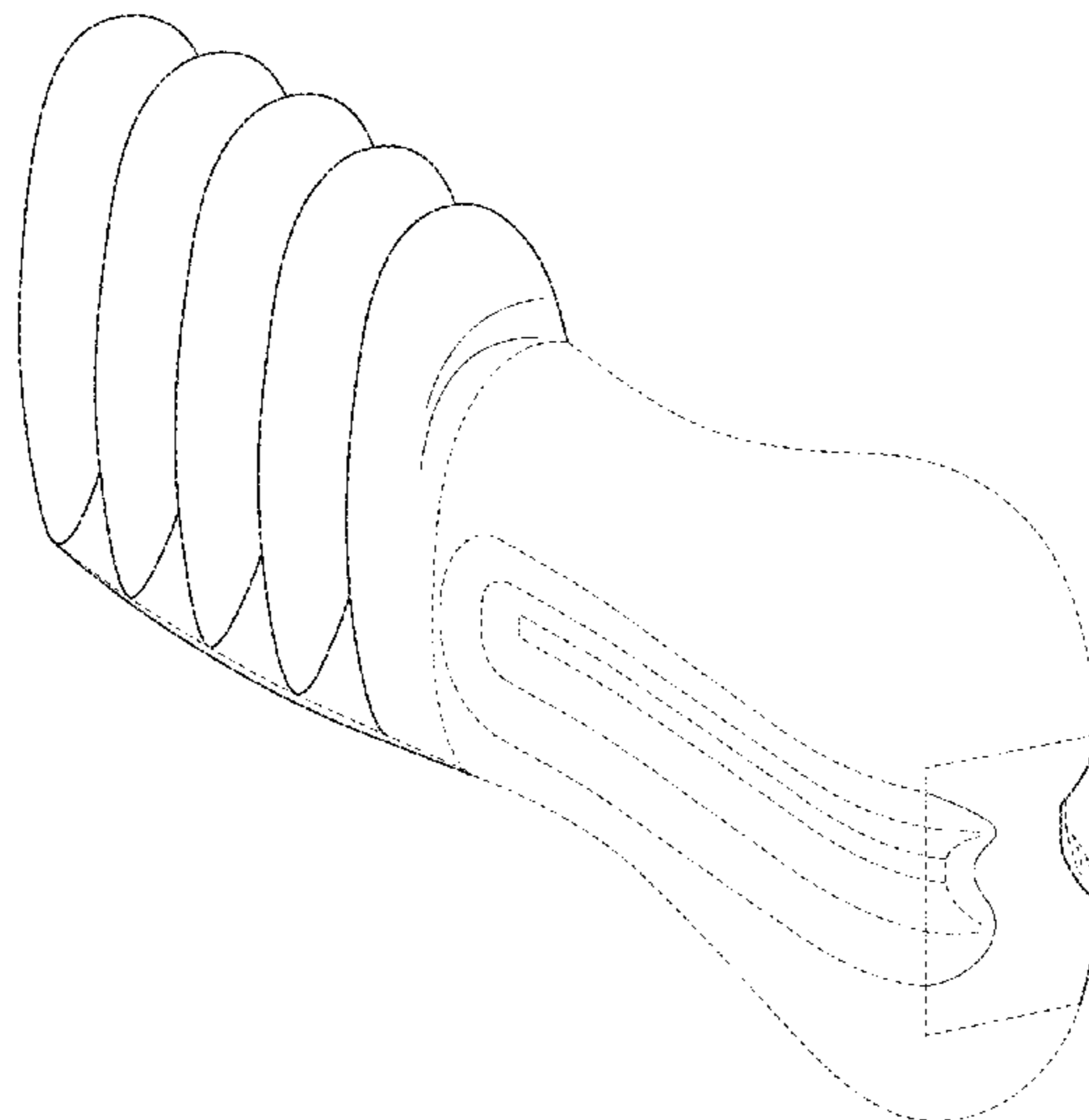
(57) **CLAIM**
The ornamental design for a food product, as shown and described.

DESCRIPTION

FIG. 1 is a perspective view of a food product showing my new design;
FIG. 2 is a front view of the food product shown in FIG. 1;
FIG. 3 is a rear view of the food product shown in FIG. 1;
FIG. 4 is a left side view of the food product shown in FIG. 1;
FIG. 5 is a right side view of the food product shown in FIG. 1;
FIG. 6 is a top view of the food product shown in FIG. 1; and,
FIG. 7 is a bottom view of the food product shown in FIG. 1.
The broken lines shown in FIGS. 1-7 illustrate portions of the food product that form no part of the claimed design.

1 Claim, 7 Drawing Sheets

(56) **References Cited**
U.S. PATENT DOCUMENTS
D16,030 S 4/1885 Schwarzschild et al.
D18,206 S 3/1888 Schwarzschild et al.
1,319,899 A * 10/1919 Rafert A21C 11/12
426/76
2,103,083 A 12/1937 Lynch
D207,167 S 3/1967 Fisher
4,109,649 A 8/1978 Iyomasa
D303,728 S 10/1989 Spanier et al.
D305,950 S 2/1990 Spiel et al.
D305,952 S 2/1990 Spanier et al.



(56)

References Cited

U.S. PATENT DOCUMENTS

D499,226	S	12/2004	Axelrod	
D501,286	S	2/2005	Wang	
D503,998	S	4/2005	Axelrod	
D528,736	S	9/2006	Koenig et al.	
D529,667	S	10/2006	Axelrod	
D530,481	S	10/2006	Koenig et al.	
D531,365	S	10/2006	Axelrod	
D531,383	S	11/2006	Dettmer et al.	
D536,506	S	2/2007	Unlu	
D584,477	S *	1/2009	Caudill	D1/125
D587,427	S	3/2009	Torney et al.	
D587,428	S	3/2009	Torney et al.	
D587,429	S	3/2009	Torney et al.	
7,497,189	B2 *	3/2009	Torney	A01K 15/026 119/709
D590,127	S *	4/2009	Caudill	D1/125
D603,127	S	11/2009	Townsend et al.	
D603,578	S	11/2009	Townsend et al.	
D635,326	S	4/2011	Freije	
D638,606	S	5/2011	Freije	
D639,526	S *	6/2011	Allen	D1/125
D687,950	S	8/2013	Gitman	
D694,964	S	12/2013	Axelrod	
8,925,494	B2 *	1/2015	Pang	A01K 15/026 119/709
D740,518	S	10/2015	Rivadeneira et al.	
D745,241	S	12/2015	Doerr	
D747,465	S	1/2016	Homsy et al.	
2006/0102099	A1	5/2006	Edwards	
2006/0222748	A1	10/2006	Kobayashi et al.	
2007/0101946	A1	5/2007	Penny	
2008/0041320	A1 *	2/2008	Torney	A01K 15/026 119/709
2015/0320072	A1	11/2015	Bufton et al.	

* cited by examiner

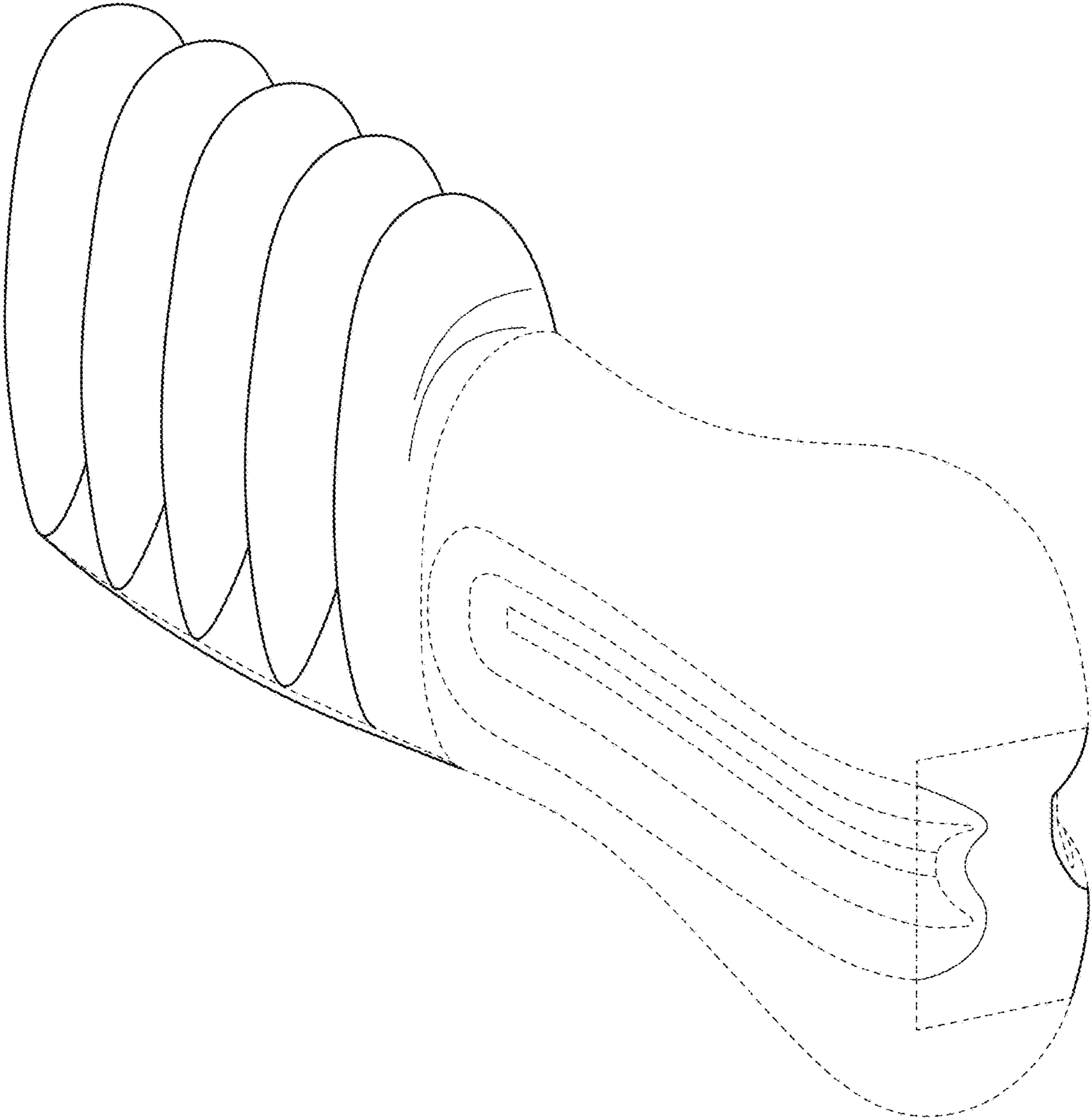


FIG. 1

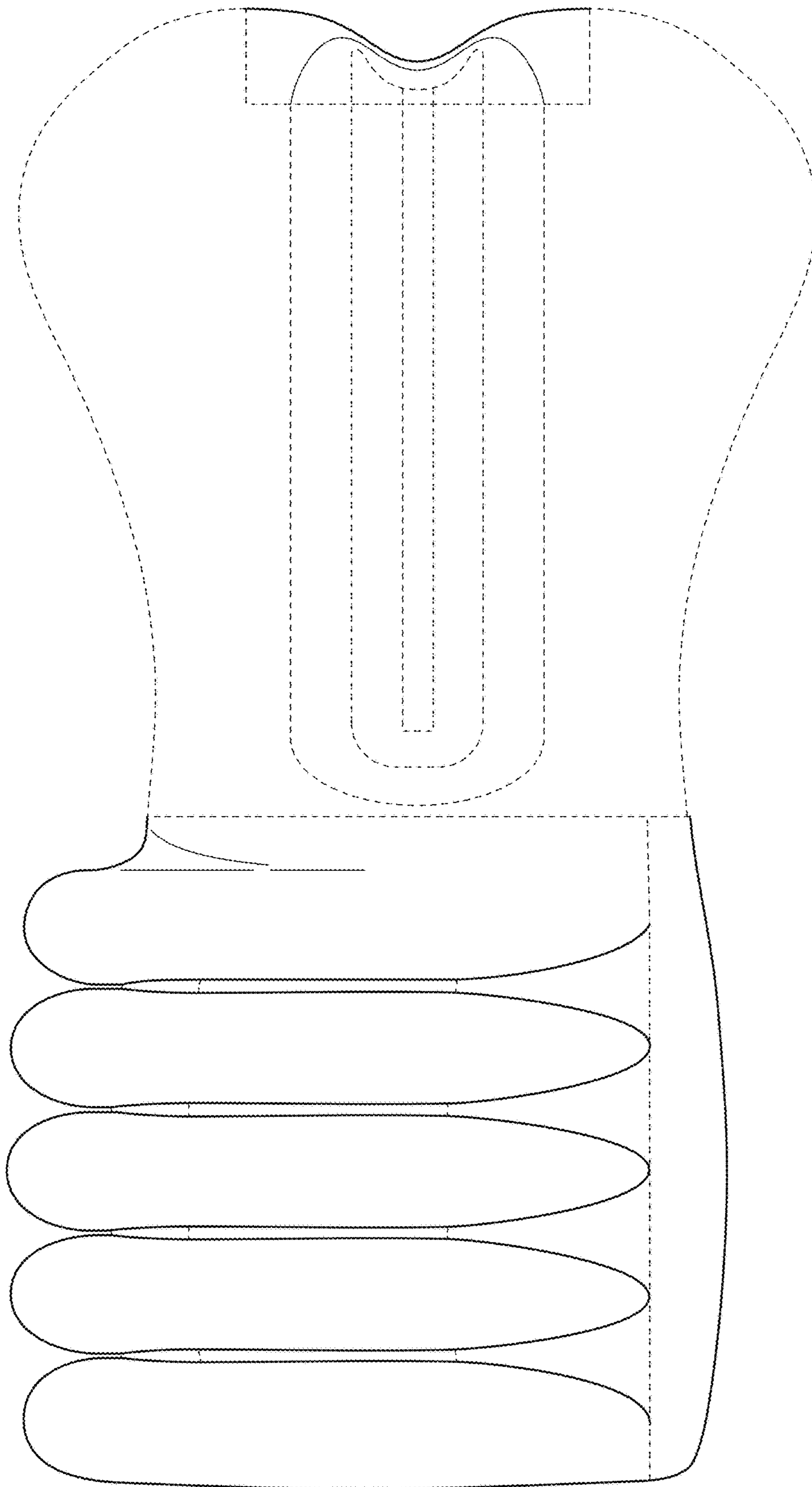


FIG. 2

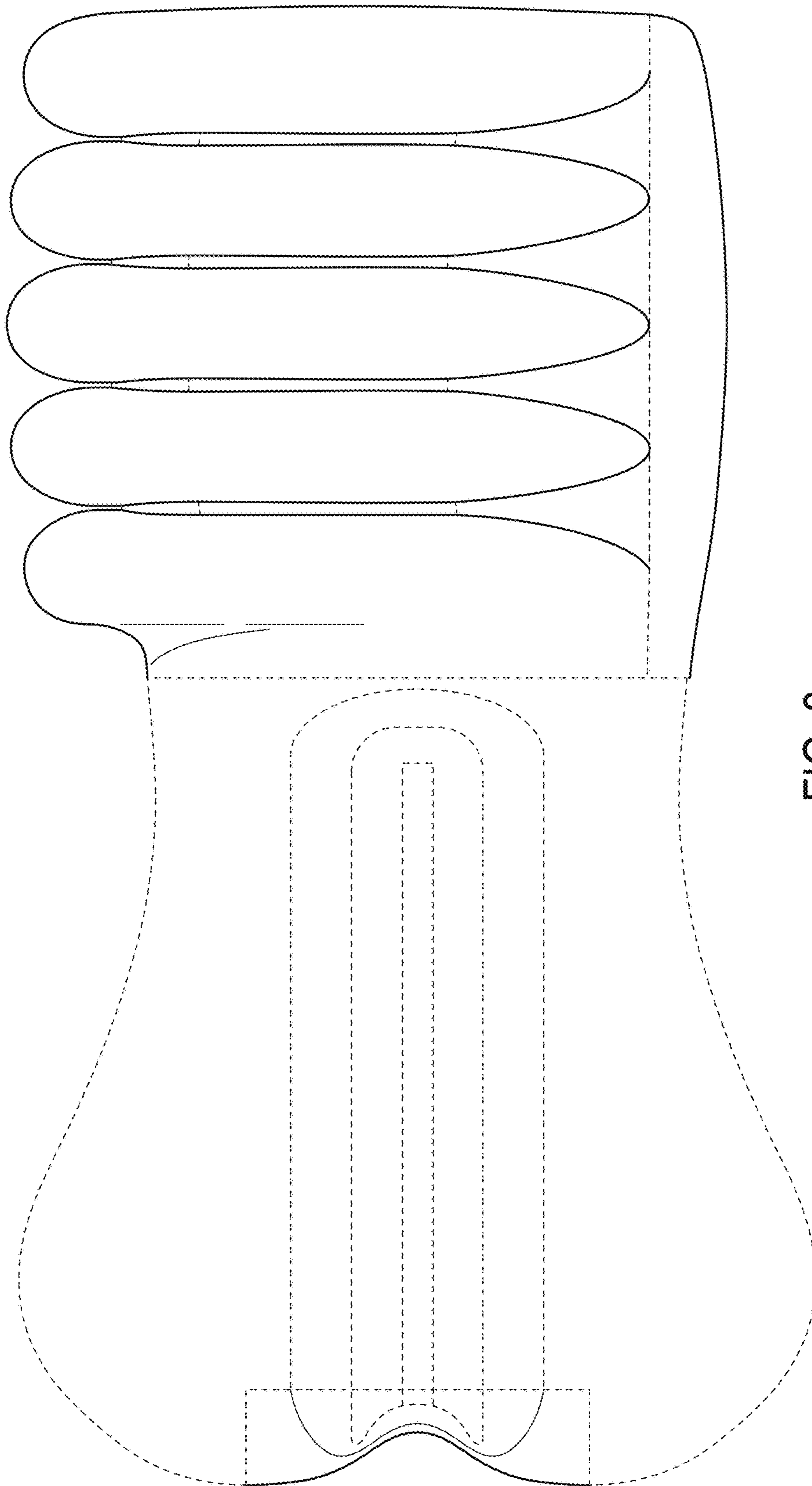


FIG. 3

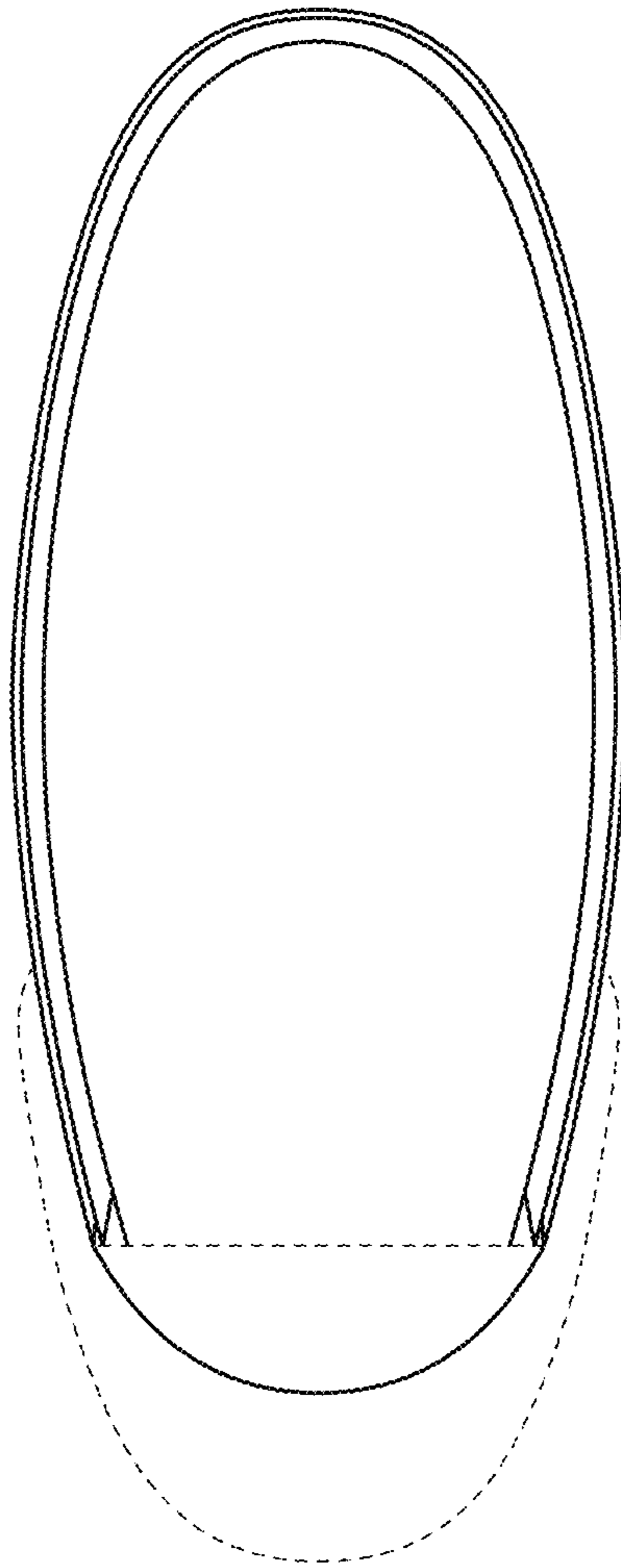


FIG. 4

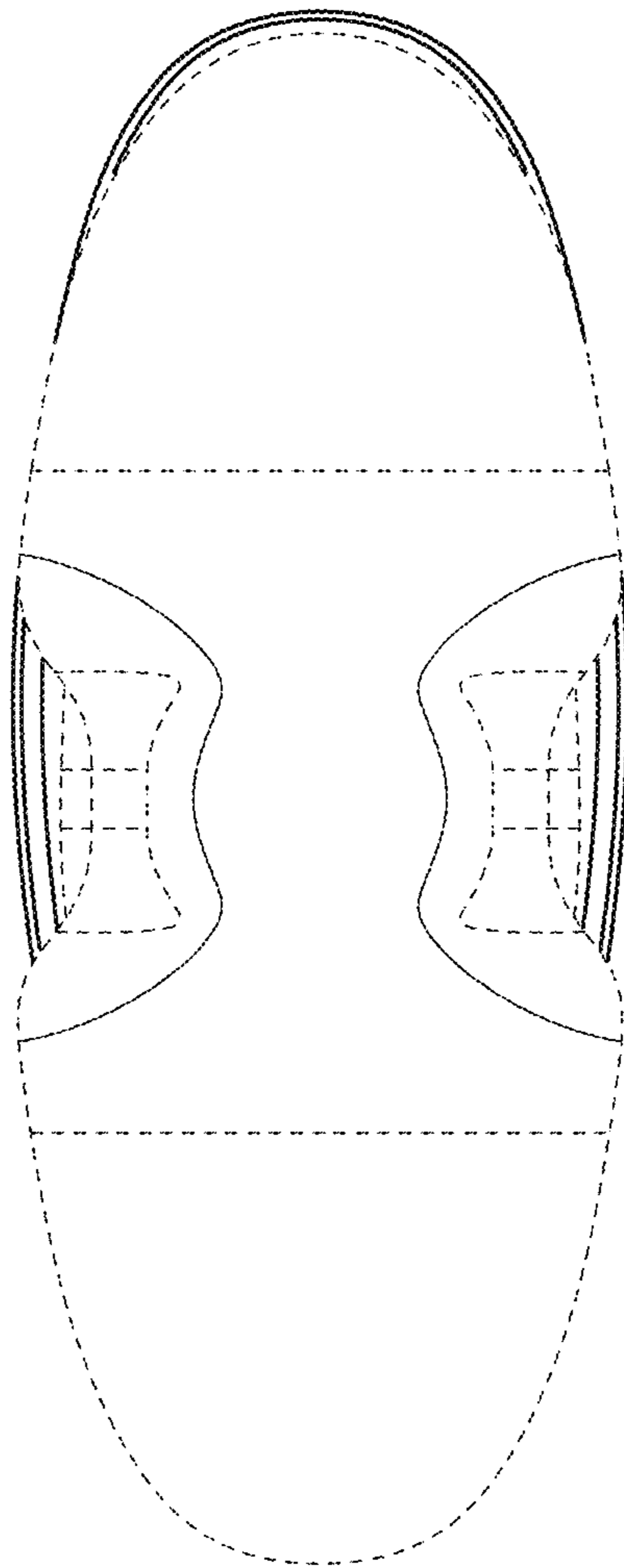


FIG. 5

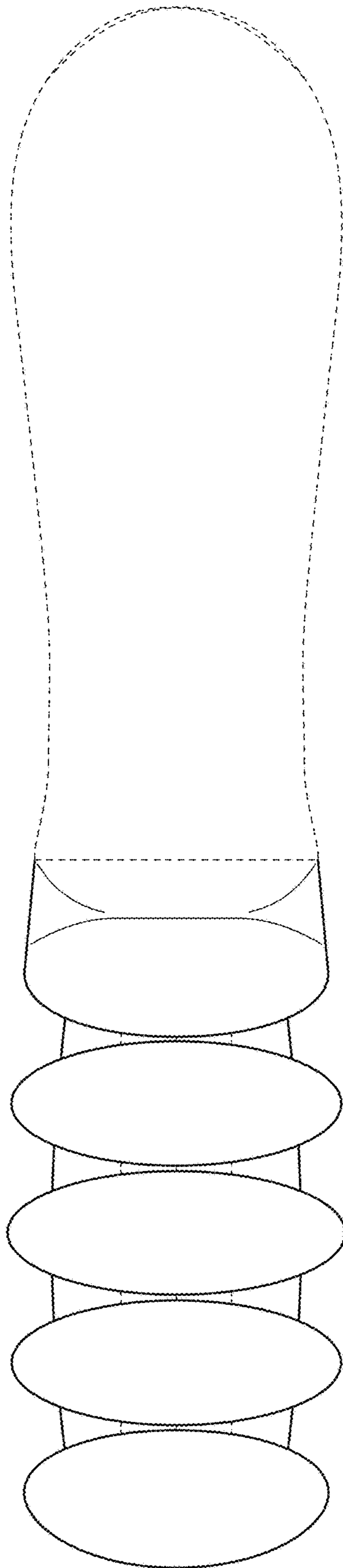


FIG. 6

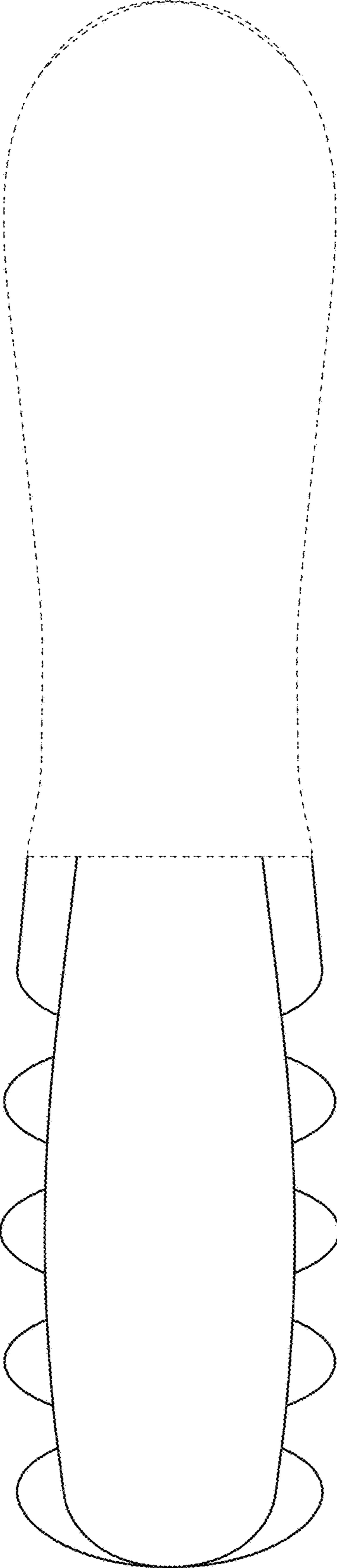


FIG. 7